



A TEREX BRAND

Parts Manual

Serial Number Range

GS-2032

from SN GS3211A-110000

GS-2632

from SN GS3212C-10000

GS-3232

from SN GS4611A-110000

GS-2046

from SN GS4612C-10000

GS-2646

GS-3246

Part No. 236418

Rev B2

January 2015

Technical Publications

Genie has endeavored to deliver the highest degree of accuracy possible. However, continuous improvement of our products is a Genie policy. Therefore, product specifications are subject to change without notice.

Readers are encouraged to notify Genie of errors and send in suggestions for improvement. All communications will be carefully considered for future printings of this and all other manuals.

Contact Us:

<http://www.genielift.com>

e-mail: awp.techpub@terex.com

Serial Number Information

Genie Industries offers the following Parts Manuals for these models:

Title	Part No
Genie GS-2032, GS-2632 Parts Manual (to serial number 59999).....	46325
Genie GS-2032, GS-2632 Parts Manual (from serial number 60000 to 75406).....	96315
GS-2032, GS-2632 and GS-3232 Parts Manual (from serial number 75407 to 110000).....	97384
Genie GS-2046, GS-2646 and GS-3246 Parts Manual (to serial number 59999).....	48338
Genie GS-2046, GS-2646 and GS-3246 Parts Manual (from serial number 60000 to 75437).....	96315
Genie GS-2046, GS-2646 and GS-3246 Parts Manual (from serial number 75438 to 110000).....	97384

Copyright © 2011 by Terex Corporation

236418 Rev B August 2014
Fourth Edition, Second Printing

Genie is a registered trademark of Terex South Dakota in the USA and many other countries. "GS" is a trademark of Terex South Dakota, Inc.



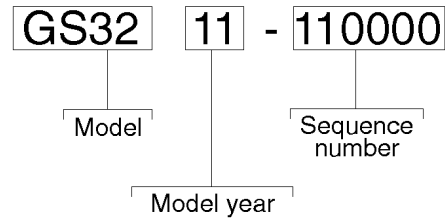
Printed on recycled paper



Model: GS-3232
Serial number: GS3211A-110000
Model year: 2011 **Manufacture date:** 10/25/11
Electrical schematic number: ESO141
Machine unladen weight: 5,185 lb / 2333 kg

Rated work load (including occupants): 500 lb / 227 kg
Maximum number of platform occupants: 2
Maximum allowable side force : 100 lb / 447 N
Maximum allowable inclination of the chassis:
 0 deg
Maximum wind speed : 28 mph/ 12.5 m/s
Maximum platform height : 32 ft/ 9.8 m
Maximum platform reach : N/A
Gradeability: N/A
Country of manufacture: USA
This machine complies with:
 ANSI A92.6
 CAN B.354.4

Terex South Dakota, Inc.
 18340 NE 76th Street
 Redmond, WA 98052
 USA



Serial number
(stamped on chassis)

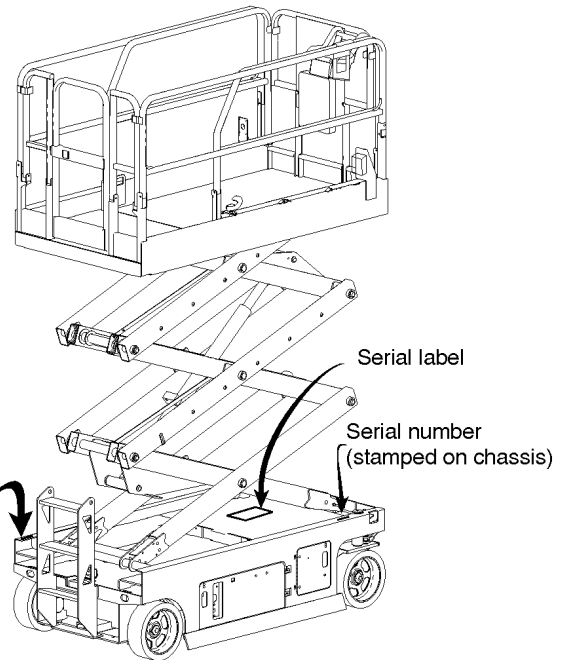


Table of Contents

This manual is updated frequently. If you have a printed manual, you can keep it up to date by downloading new figures from the Genie website at www.genielift.com. For the most up-to-date parts information, visit the Parts Lookup System on the Genie website at www.genielift.com.

How to Read Your Serial Number.....3
 Parts Stocking List.....7
 How to Order Parts.....8
 Service Parts Fax Order Form.....9

Electronic Version
 Click on any page number to view the figure.

100 Decals

101.1 Word Decals, GS-2032, Battery Side, ANSI & Australia.....10
 102.1 Word Decals, GS-2032, Ground Control Side, ANSI and Australia.....12
 103.1 Word Decals, GS-2032, Platform, ANSI.....14
 104.1 Word Decals, GS-2032, Platform, Australia.....16
 105.1 Word Decals, GS-2632, Battery Side, ANSI & Australia.....18
 106.1 Word Decals, GS-2632, Ground Control Side, ANSI and Australia.....20
 107.1 Word Decals, GS-2632, Platform, ANSI.....22
 108.1 Word Decals, GS-2632, Platform, Australia.....24
 109.1 Word Decals, GS-3232, Battery Side, ANSI & Australia.....26
 110.1 Word Decals, GS-3232, Ground Control Side, ANSI and Australia.....28
 111.1 Word Decals, GS-3232, Platform, ANSI.....30
 112.1 Word Decals, GS-3232, Platform, Australia.....32
 113.1 Word Decals, GS-2046, Battery Side, ANSI & Australia.....34
 114.1 Word Decals, GS-2046, Ground Control Side, ANSI and Australia.....36
 115.1 Word Decals, GS-2046, Platform, ANSI.....38
 116.1 Word Decals, GS-2046, Platform, Australia.....40
 117.1 Word Decals, GS-2646, Battery Side, ANSI & Australia.....42
 118.1 Word Decals, GS-2646, Ground Control Side, ANSI and Australia.....44
 119.1 Word Decals, GS-2646, Platform, ANSI.....46
 120.1 Word Decals, GS-2646, Platform, Australia.....48

121.1 Word Decals, GS-3246, Battery Side, ANSI & Australia.....50
 122.1 Word Decals, GS-3246, Ground Control Side, ANSI and Australia.....52
 123.1 Word Decals, GS-3246, Platform, ANSI.....54
 124.1 Word Decals, GS-3246, Platform, Australia.....56
 125.1 Symbol Decals, GS-2032, Battery Side, ANSI & CE..58
 126.1 Symbol Decals, GS-2032, Ground Control Side, ANSI & CE.....60
 127.1 Symbol Decals, GS-2032, Platform, ANSI.....62
 128.1 Symbol Decals, GS-2032, Platform, CE.....64
 129.1 Symbol Decals, GS-2632, Battery Side, ANSI & CE..66
 130.1 Symbol Decals, GS-2632, Ground Control Side, ANSI and CE.....68
 131.1 Symbol Decals, GS-2632, Platform, ANSI.....70
 132.1 Symbol Decals, GS-2632, Platform, CE.....72
 133.1 Symbol Decals, GS-3232, Battery Side, ANSI & CE..74
 134.1 Symbol Decals, GS-3232, Ground Control Side, ANSI and CE.....76
 135.1 Symbol Decals, GS-3232, Platform, ANSI.....78
 136.1 Symbol Decals, GS-3232, Platform, CE.....80
 137.1 Symbol Decals, GS-2046, Battery Side, ANSI & CE..82
 138.1 Symbol Decals, GS-2046, Ground Control Side, ANSI and CE.....84
 139.1 Symbol Decals, GS-2046, Platform, ANSI.....86
 140.1 Symbol Decals, GS-2046, Platform, CE.....88
 141.1 Symbol Decals, GS-2646, Battery Side, ANSI & CE..90
 142.1 Symbol Decals, GS-2646, Ground Control Side, ANSI and CE.....92
 143.1 Symbol Decals, GS-2646, Platform, ANSI.....94
 144.1 Symbol Decals, GS-2646, Platform, CE.....96
 145.1 Symbol Decals, GS-3246, Battery Side, ANSI & CE..98
 146.1 Symbol Decals, GS-3246, Ground Control Side, ANSI and CE.....100
 147.1 Symbol Decals, GS-3246, Platform, ANSI.....102
 148.1 Symbol Decals, GS-3246, Platform, CE.....104

200 Drive Chassis Components

201.1 Steer Linkage and Wheels, GS-32 & GS-46.....106
 202.1 Non-steer Axle Installation, GS-32 & GS-46.....108
 203.1 Level Sensor Installation, GS-32 & GS-46.....110
 204.1 Pothole Protection Assembly, GS-32 & GS-46.....112
 205.1 Battery Pack Module.....114
 206.1 Battery Charger.....116
 207.1 Power Unit Module.....118
 208.1 Ground Controls.....120
 209.1 Electrical Wiring, GS-2032, GS-2632, GS-2046, GS-2646, GS-3246.....122
 210.1 Electrical Wiring, GS-3232.....126

211.1 Power Cables.....	128	Part Number Index.....	198
212.1 Outrigger Components, GS-3232.....	130	Part Description Index.....	202
213.1 Function Manifold and Accumulator Components, GS-2032, GS-2632, GS-2046, GS-2646, GS-3246.....	132	Cross References	
214.1 Function Manifold and Accumulator Components, GS-3232.....	134	Fittings Cross Reference.....	208
300 Scissor Components			
301.1 Scissor Assembly Installation.....	136		
302.1 Scissor Assembly, GS-2032, GS-2046.....	138		
303.1 Scissor Assembly, GS-2632, GS-2646.....	140		
304.1 Scissor Assembly, GS-3232, GS-3246.....	142		
400 Platform Components			
401.1 Platform Components, GS-2032, GS-2632, GS-3232.....	146		
402.1 Platform Components, GS-2046, GS-2646, GS-3246.....	150		
403.1 Power to Platform.....	154		
404.1 Platform Controls, 8 and 6 Button (2 Speed Lift).....	156		
405.1 Platform Controls, 6 and 4 Button (Proportional Lift).....	160		
406.1 Joystick Controller.....	162		
500 Hydraulic Components			
501.1 Hydraulic Components.....	164		
502.1 Function Manifold.....	166		
503.1 Brake Release Hand Pump Manifold.....	168		
504.1 Hydraulic Power Unit, All Models.....	170		
505.1 Lift Cylinder Assembly, All Models.....	172		
506.1 Hydraulic Hoses and Fittings.....	174		
507.1 Hydraulic Hoses and Fittings, Outriggers, GS-3232.....	178		
508.1 Outrigger Cylinders, Front and Rear, GS-3232.....	180		
509.1 Outrigger Function Manifold, GS-3232.....	182		
600 Accessories			
601.1 Alarm, Horn and Flashing Beacons.....	184		
602.1 Air Line to Platform.....	186		
603.1 Platform Work Light.....	188		
604.1 Voltage Inverter.....	190		
605.1 Pipe Cradle Assembly, GS-2046, GS-2646, GS-3246.....	192		
606.1 Panel Carrier Assembly, GS-2046, GS-2646.....	194		
700 Platform Overload Components			
701.1 Platform Overload.....	196		

Indices

Notes

Required Parts

The following parts are required to perform maintenance procedures as outlined in the Genie GS-32 and GS-46 Service Manual.

Description	Part No.
Filter Element, 10 Micron.....	44788
Dielectric Grease.....	66399
Chevron Ultra-duty Grease (Lithium) or equivalent, EP NLGI 1.....(source locally)	
Breather Cap, Hydraulic Tank.....	78546
Cotter Pin, Castle Nut, Steer-end Wheels, GS-46.....	13635-10
Cotter Pin, Castle Nut, Steer-end Wheels, GS-46 and Non-steer end Wheels	42079

Recommended Parts

Description	Part No.
Genie Blue Paint, 1 Gallon	32150
Genie Blue Paint, 12 Ounce Aerosol.....	1484
Genie Gray Paint, 1 Gallon.....	32151
Genie Gray Paint, 12 Ounce Aerosol	1268

Manuals

Genie Industries offers the following support documents for these models:

Title	Part No.
Genie GS-2032, GS-2632 and GS-3232 Operator's Manual, 6th Edition, ANSI Models (from serial number GS3211A-110000)	T107026
Genie GS-2046, GS-2646 and GS-3246 Operator's Manual, 6th Edition, ANSI Models (from serial number GS4611A-110000)	T107026
Genie GS-2032, GS-2632 and GS-3232 Operator's Manual, 7th Edition, CE Models (after serial number GS3211A-110000)	214727
Genie GS-2046, GS-2646 and GS-3246 Operator's Manual, 7th Edition, CE Models (after serial number GS4611A-110000)	214727
Genie GS-2032, GS-2632 and GS-3232 Operator's Manual, 7th Edition, Australia Models (after serial number GS3211A-110000)	214728
Genie GS-2046, GS-2646 and GS-3246 Operator's Manual, 7th Edition, Australia Models (after serial number GS4611A-110000)	214728
Genie GS-30, GS-32 and GS-46 Service Manual.....	228901
EMI Safety Manual	27581
Manual of Responsibilities ANSI A92.6	44163

How To Order Parts

Please be prepared with the following information when ordering replacement parts for your Terex or Genie product:

- Machine model number
- Machine serial number
- Part number
- Part description and quantity
- Purchase order number
- "Ship to" address
- Desired method of shipment
- Name and telephone number of the authorized distributor in your area

Use the Service Parts Fax Order Form on the next page and fax your order to our Parts Department.

If you don't know the name of your authorized distributor, or if your area is not currently serviced by an authorized distributor, please call Terex or Genie Industries.

Machine Information

Model

Serial Number

Date of Purchase

Authorized Genie Distributor

Phone Number

North America

Telephone (425) 556-6551
 Toll Free (877) 367-5606 in U.S.A. and Canada
 Fax (425) 556-8659
 Toll Free Fax (888) 274-6192

Europe

Parts Telephone (31) (165) 519 313
 Parts Fax (31) (165) 511 148

Australia

Parts Telephone (61) (7) 3456 4444
 Parts Fax (61) (7) 3456 4466

South America

Parts Telephone (55) (11) 4082 5600
 Parts Fax (55) (11) 4082 5630



Service Parts Fax Order Form

Fax to: (425) 556-8659 or Toll Free: 888-274-6192
International: +1-425-556-8659

Please fill out completely

Date _____ Account Number _____
 Your Name _____ Your Fax Number _____
 _____ Your Phone Number _____
 Bill To _____ Ship To _____

 Purchase Order Number _____ Ship Via _____

Model(s) _____ **Serial No.(s)** _____
Optional Equipment _____

Part Number	Description	Quantity	Price

All back-ordered parts will be shipped when available via the same ship method as the original order unless Noted below:

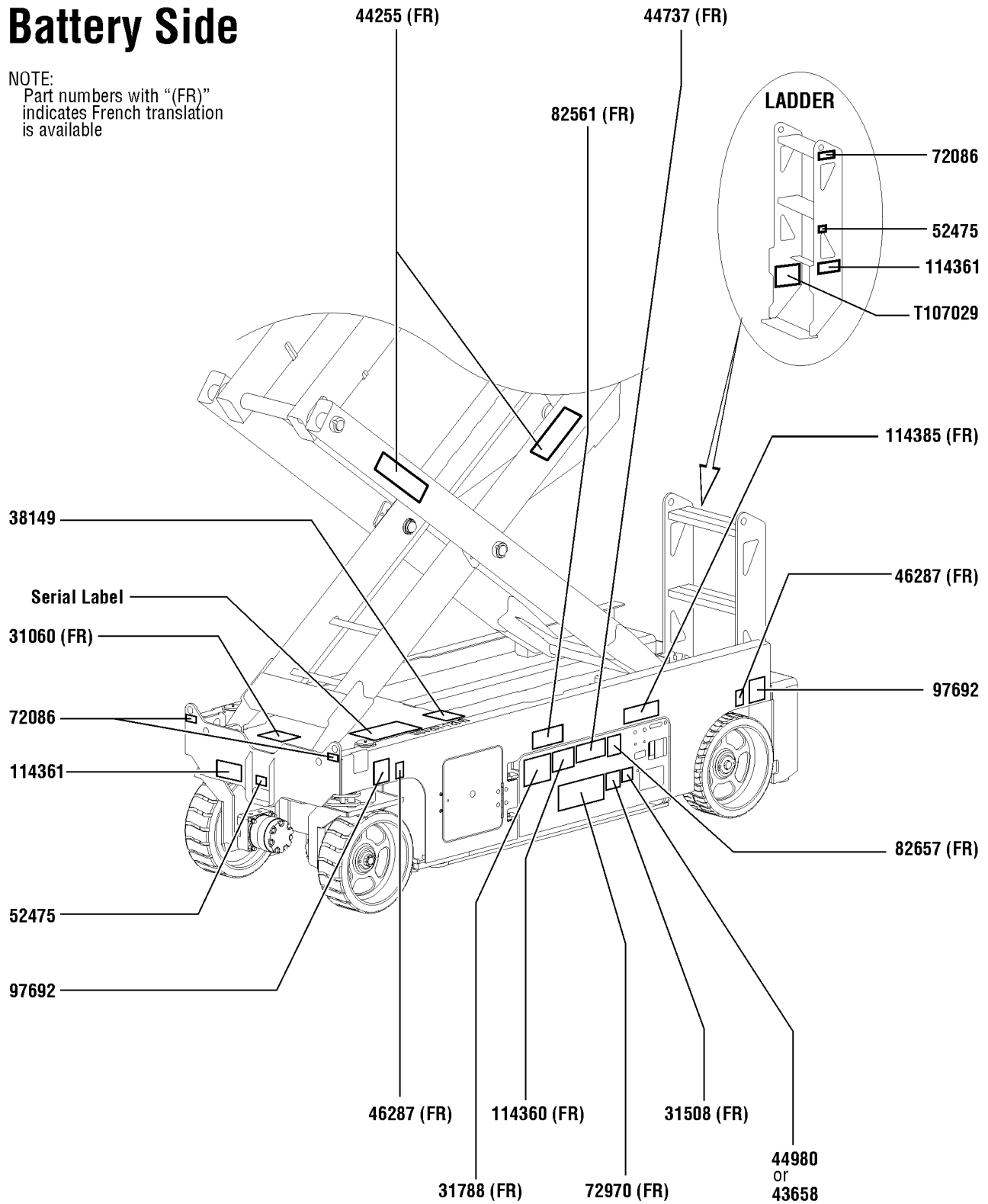
- Ship complete order only - No back orders
- Ship all available parts and contact customer on disposition of back-ordered parts
- Other (please specify)



101.1 Word Decals, GS-2032, Battery Side, ANSI & Australia

Battery Side

NOTE:
Part numbers with "(FR)"
indicates French translation
is available



101.1 Word Decals, GS-2032, Battery Side, ANSI & Australia

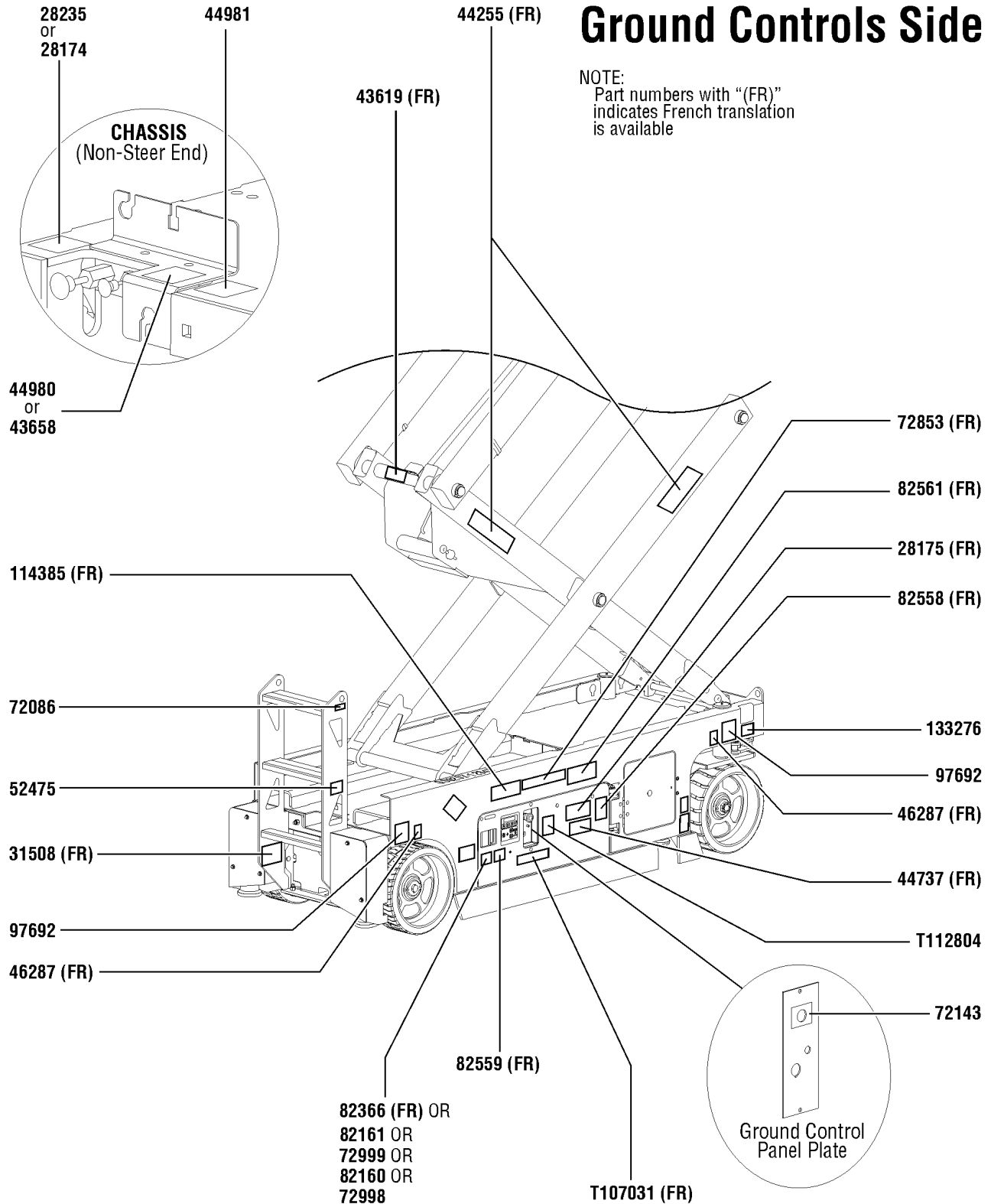
Item	Part No.	Description	Qty.	Item	Part No.	Description	Qty.
A	217251	DECAL KIT,2032 PLAT.,WRD,ANSI (ANSI models with 2 speed controller) to SN GS3214A-134999 and to SN GS3214C-13999		17	114361	DECAL,LABEL-TRANSPORT DIGRAM.....	2
B	217252	DECAL KIT,2032 COMP.,WRD,ANSI (ANSI models with 2 speed controller) to SN GS3214A-134999 and to SN GS3214C-13999		18	114385	DECAL,DANGER,ELEC HAZARD,GS.....	1
C	217263	DECAL KIT,2032 PLAT.,WRD,AUST (Australia models with 2 speed controller) to SN GS3214A-134999 and to SN GS3214C-13999		19	T107029	DECAL,DANGER,BRAKE REL SAFETY.....	1
D	217264	DECAL KIT,2032 COMP.,WRD,AUST (Australia models with 2 speed controller) to SN GS3214A-134999 and to SN GS3214C-13999					
1	31060	DECAL,DANGER DO NOT ALTER SWTC.....	1				
2	31508	DECAL,DANGER,ELECT HAZARD,PLUG..... (Australia models only)	1				
3	31788	DECAL,DANGER,BATTERY SAFETY***	1				
4	38149	DECAL,LABEL,PATENTS..... (Domestic units only)	1				
5	43658	DECAL,LABEL,PWR TO CHARGR 230V..... (Australia models only)	1				
6	44255	DECAL,DANGER,CRUSHING HAZARD.....	2				
7	44737	DECAL,DANGER,TIP-OVER,TRAYS.1					
8	44980	DECAL,LABEL,PWR TO CHARGR 115V..... (Australia models only)	1				
9	46287	DECAL,LABEL-TIRE SPECS.....	2				
10	52475	DECAL,LABEL,TRANSPORT TIEDOWN*	2				
11	72086	DECAL,LABEL,LIFTING EYE.....	3				
12	72970	DECAL,INSTRUCTIONS-CHARGER OP.....	1				
13	82561	DECAL,DANGER-USE SAFETY ARM.....	1				
14	82657	DECAL,INSTRUCT,BATTERY CONNECT.....	1				
15	97692	DECAL,LABEL,WHEEL LOAD 2032.....	2				
16	114360	DECAL,DANGER-TIP-OVER,BATT..1					



102.1 Word Decals, GS-2032, Ground Control Side, ANSI and Australia

Ground Controls Side

NOTE:
Part numbers with "(FR)" indicates French translation is available



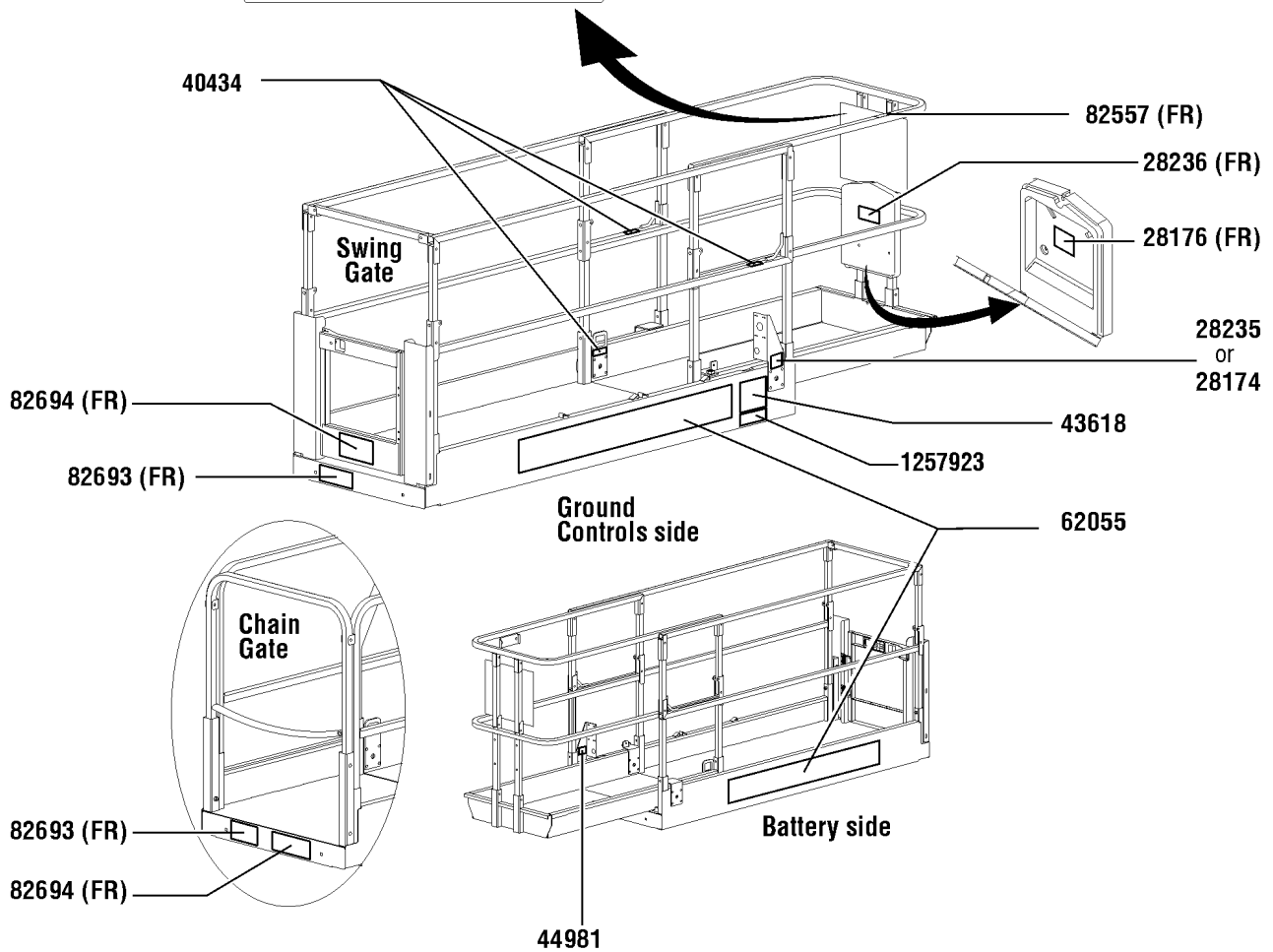
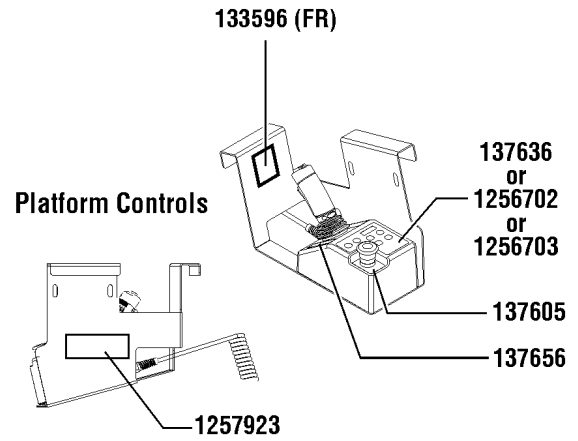
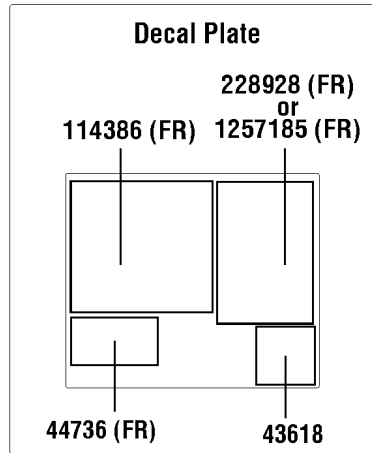
102.1 Word Decals, GS-2032, Ground Control Side, ANSI and Australia

Item	Part No.	Description	Qty.	Item	Part No.	Description	Qty.
--		REF: Word Decal Kits for ANSI and Australia <i>(refer to 101.1)</i>		21	82558	DECAL,SKIN INJECTION.....	1
1	28174	DECAL,POWER TO PLATFORM 230V.....	1	22	82559	DECAL,INSTRUCT-ANNUAL INSP REQ.....	1
2	28175	DECAL,COMPARTMENT ACCESS.....	1	23	82561	DECAL,DANGER-USE SAFETY ARM.....	1
3	28235	DECAL,POWER TO PLATFORM 115V.....	1	24	97692	DECAL,LABEL,WHEEL LOAD 2032.....	2
4	31508	DECAL,DANGER,ELECT HAZARD,PLUG..... <i>(ANSI models)</i>	1	25	114385	DECAL,DANGER,ELEC HAZARD,GS.....	1
5	43619	DECAL,LABEL,SAFETY ARM.....	1	26	133276	DECAL,EMERGENCY LOWERING.....	1
6	43658	DECAL,LABEL,PWR TO CHARGR 230V..... <i>(ANSI models)</i>	1	27	T107031	DECAL,OP INST,GCON.....	1
7	44255	DECAL,DANGER,CRUSHING HAZARD.....	2	28	T112804	DECAL,GCON PANEL,GS.....	1
8	46287	DECAL,LABEL-TIRE SPECS.....	2				
9	44737	DECAL,DANGER,TIP-OVER,TRAYS.	1				
10	44980	DECAL,LABEL,PWR TO CHARGR 115V..... <i>(ANSI models)</i>	1				
11	44981	DECAL,LABEL,AIRLINE 110 PSI..... <i>(Option)</i>	1				
12	52475	DECAL,LABEL,TRANSPORT TIEDOWN*.....	1				
13	72086	DECAL,LABEL,LIFTING EYE.....	1				
14	72143	DECAL,EMERGENCY STOP,GR.....	1				
15	72853	DECAL,DANGER,IMPROPER USE HAZ.....	1				
16	72998	DECAL,LABEL,QUINTOLUBRIK..... <i>(models with Quintolub hydraulic oil)</i>	1				
17	72999	DECAL,LABEL,PETRO CANADA*** <i>(models with Petro Canada hydraulic oil)</i>	1				
18	82160	DECAL,LABEL,STATOIL HYDRA WAY..... <i>(models with Statoil hydraulic oil)</i>	1				
19	82161	DECAL,LABEL,UCON HYDROLUBE..... <i>(models with UConn Hydrolube hydraulic oil)</i>	1				
20	82366	DECAL,CHEVRON RANDO HD..... <i>(models with Chevron Random hydraulic oil)</i>	1				



Platform, ANSI models

NOTE:
Part numbers with "(FR)" indicates French translation is available



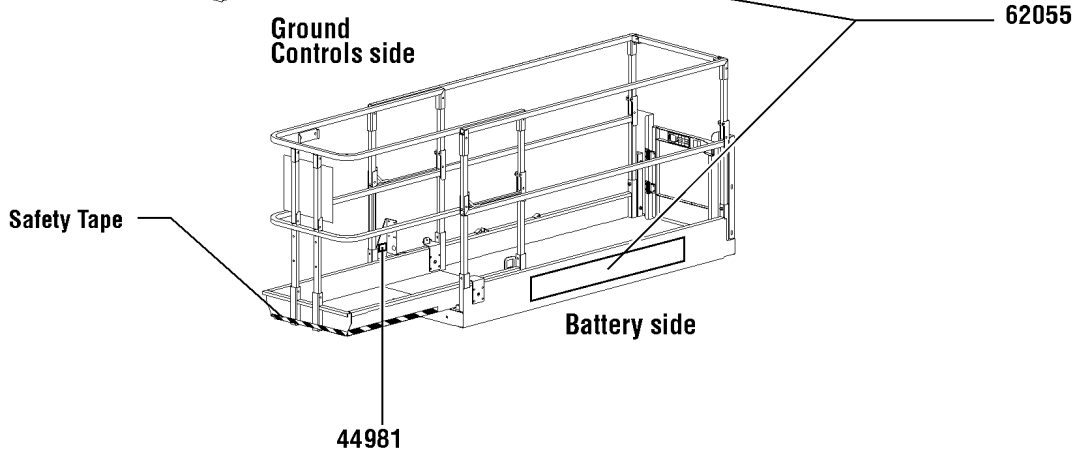
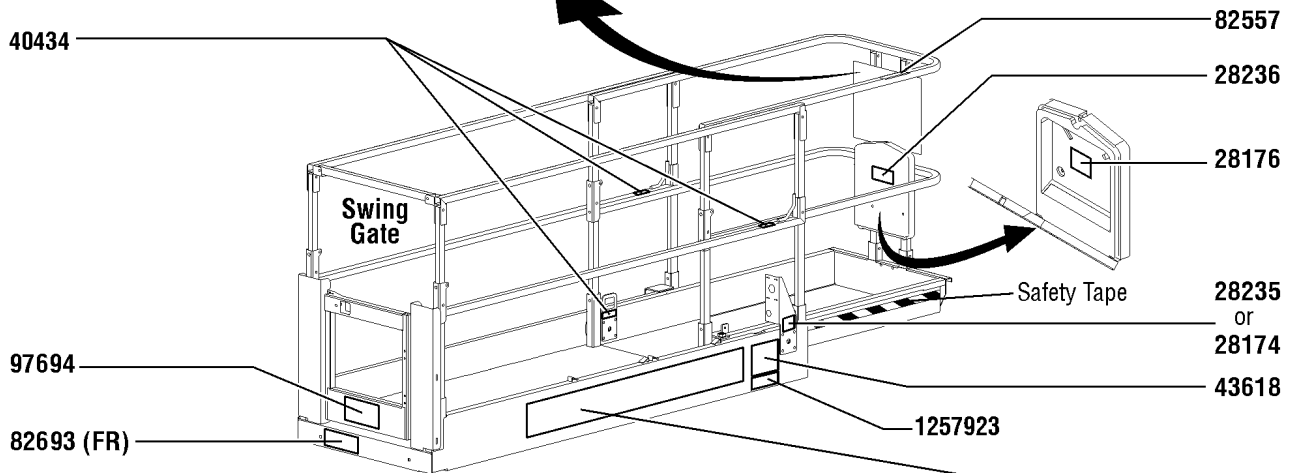
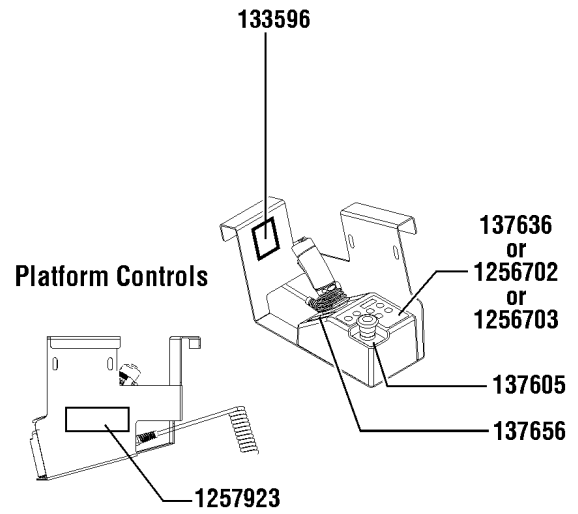
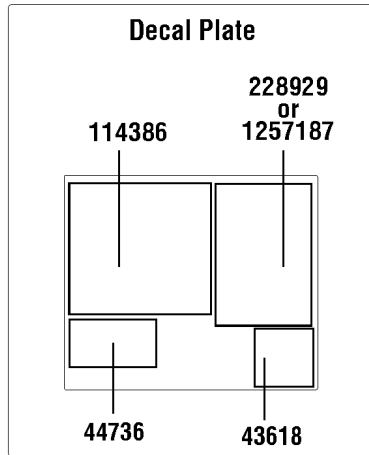
103.1 Word Decals, GS-2032, Platform, ANSI

Item	Part No.	Description	Qty.	Item	Part No.	Description	Qty.
--		REF: Word Decal Kits for ANSI <i>(refer to 101.1)</i>		22	1257185	DECAL,OP INST,PLAT,GS32 ANSI.....1 <i>(models with 4 button, proportional controller)</i>	1
--	137605	DECAL,E-STOP,GR/GRC/GS PCON		23	1257923	DECAL, SMARTLINK PROPORTIONAL.....2 <i>(models with 4 button, proportional controller, and units converted from 6 button, 2 speed lift to 4 button, proportional controller)</i>	2
1	28174	DECAL,POWER TO PLATFORM 230V.....1	1				
2	28176	DECAL,LABEL,MANUAL NOT HERE.....1	1				
3	28235	DECAL,POWER TO PLATFORM 115V.....1	1				
4	28236	DECAL,WARN,IMPROPER OPERATION.....1	1				
5	40434	DECAL,LANYARD ANCHORAGE POINT.....3	3				
6	43618	DECAL,LABEL-DIRECTION ARROWS.....2	2				
7	44736	DECAL,DANGER,TIP-OVER,TILT....1	1				
8	44981	DECAL,LABEL,AIRLINE 110 PSI....1	1				
9	62055	DECAL,COSMETIC,GENIE GS-2032.....2	2				
10	82557	DECAL,LABEL,PLAT CONT LOCATION.....1	1				
11	82693	DECAL,INSTR-MAX CAP 800 LBS.....1	1				
12	82694	DECAL,INSTR-SIDE FRC,ANSI 2032.....1	1				
13	114386	DECAL,DANGER-GEN SAFETY.....1	1				
15	133596	DECAL,LABEL,FAULT CODES.....1	1				
16	137605	DECAL,E-STOP,GR/GRC/GS PCON.....1	1				
17	137636	UI, GR/GRC/GS PCON DECAL.....1 <i>(models with 6 button, 2 speed controller) to SN GS3214A-134999 and to SN GS3214C-13999</i>	1				
18	137656	DECAL,PROPEL,GR/GRC/GS,PCON.1	1				
19	228928	DECAL,INSTRUCTIONS,OPER,GS32.1 <i>(models with 6 button, 2 speed controller) to SN GS3214A-134999 and to SN GS3214C-13999</i>	1				
20	1256702	DECAL, UI, GS/GR, PROP LIFT.....1 <i>(models with 4 button, proportional controller)</i>	1				
21	1256703	DECAL, STD, PROP LIFT, UI, SVC.....1 <i>(units converted from 6 button, 2 speed lift to 4 button, proportional controller)</i>	1				



Platform, Australia models

NOTE:
Part numbers with "(FR)"
indicates French translation
is available



104.1 Word Decals, GS-2032, Platform, Australia

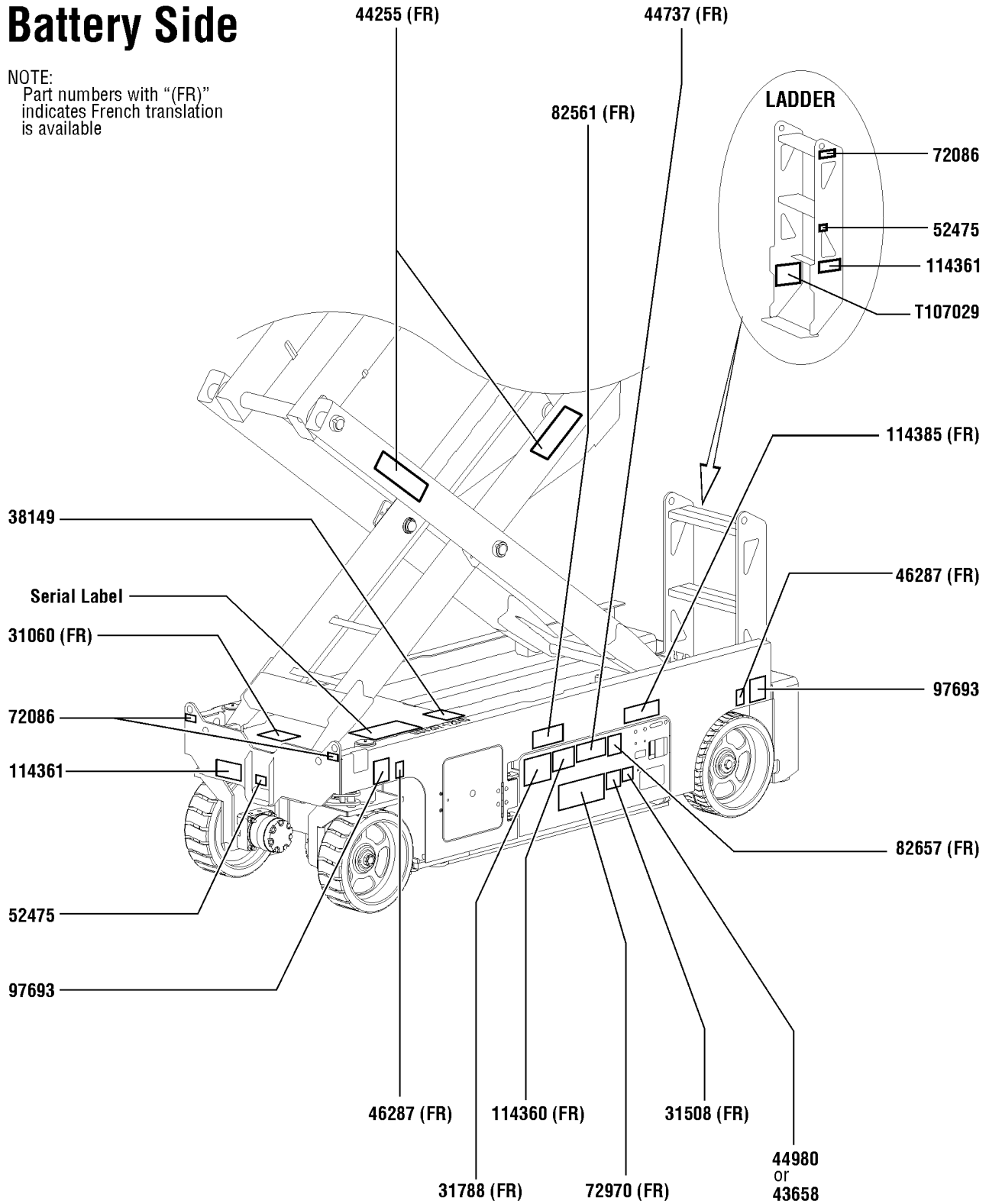
Item	Part No.	Description	Qty.	Item	Part No.	Description	Qty.
--		REF: Word Decal Kits for ANSI and Australia <i>(refer to 101.1)</i>		21	1257187	DECAL,OP INST,PLAT,GS32,AUS.....1 <i>(models with 4 button, proportional controller)</i>	1
1	28174	DECAL,POWER TO PLATFORM 230V.....1	1	22	1257923	DECAL, SMARTLINK PROPORTIONAL.....2 <i>(models with 4 button, proportional controller, and units converted from 6 button, 2 speed lift to 4 button, proportional controller)</i>	2
2	28176	DECAL,LABEL,MANUAL NOT HERE.....1	1				
3	28235	DECAL,POWER TO PLATFORM 115V.....1	1				
4	28236	DECAL,WARN,IMPROPER OPERATION.....1	1				
5	40434	DECAL,LANYARD ANCHORAGE POINT.....3	3				
6	43618	DECAL,LABEL-DIRECTION ARROWS.....2	2				
7	44736	DECAL,DANGER,TIP-OVER,TILT....1	1				
8	44981	DECAL,LABEL,AIRLINE 110 PSI.....1 <i>(Option)</i>	1				
9	62055	DECAL,COSMETIC,GENIE GS-2032.....2	2				
10	82557	DECAL,LABEL,PLAT CONT LOCATION.....1	1				
11	82693	DECAL,INSTR-MAX CAP 800 LBS.....1	1				
12	97694	DECAL,INSTR-MANUALFRC,AUS 2032.....1	1				
13	114386	DECAL,DANGER-GEN SAFETY....1	1				
14	133596	DECAL,LABEL,FAULT CODES.....1	1				
15	137605	DECAL,E-STOP,GR/GRC/GS PCON.....1	1				
16	137636	UI, GR/GRC/GS PCON DECAL.....1 <i>(models with 6 button, 2 speed controller) to SN GS3214A-134999 and to SN GS3214C-13999</i>	1				
17	137656	DECAL,PROPEL,GR/GRC/GS,PCON.1	1				
18	228929	DECAL,OP INST,AUS,GS-32.....1 <i>(models with 6 button, 2 speed controller) to SN GS3214A-134999 and to SN GS3214C-13999</i>	1				
19	1256702	DECAL, UI, GS/GR, PROP LIFT.....1 <i>(models with 4 button, proportional controller)</i>	1				
20	1256703	DECAL, STD, PROP LIFT, UI, SVC.....1 <i>(units converted from 6 button, 2 speed lift to 4 button, proportional controller)</i>	1				



105.1 Word Decals, GS-2632, Battery Side, ANSI & Australia

Battery Side

NOTE:
Part numbers with "(FR)"
indicates French translation
is available



105.1 Word Decals, GS-2632, Battery Side, ANSI & Australia

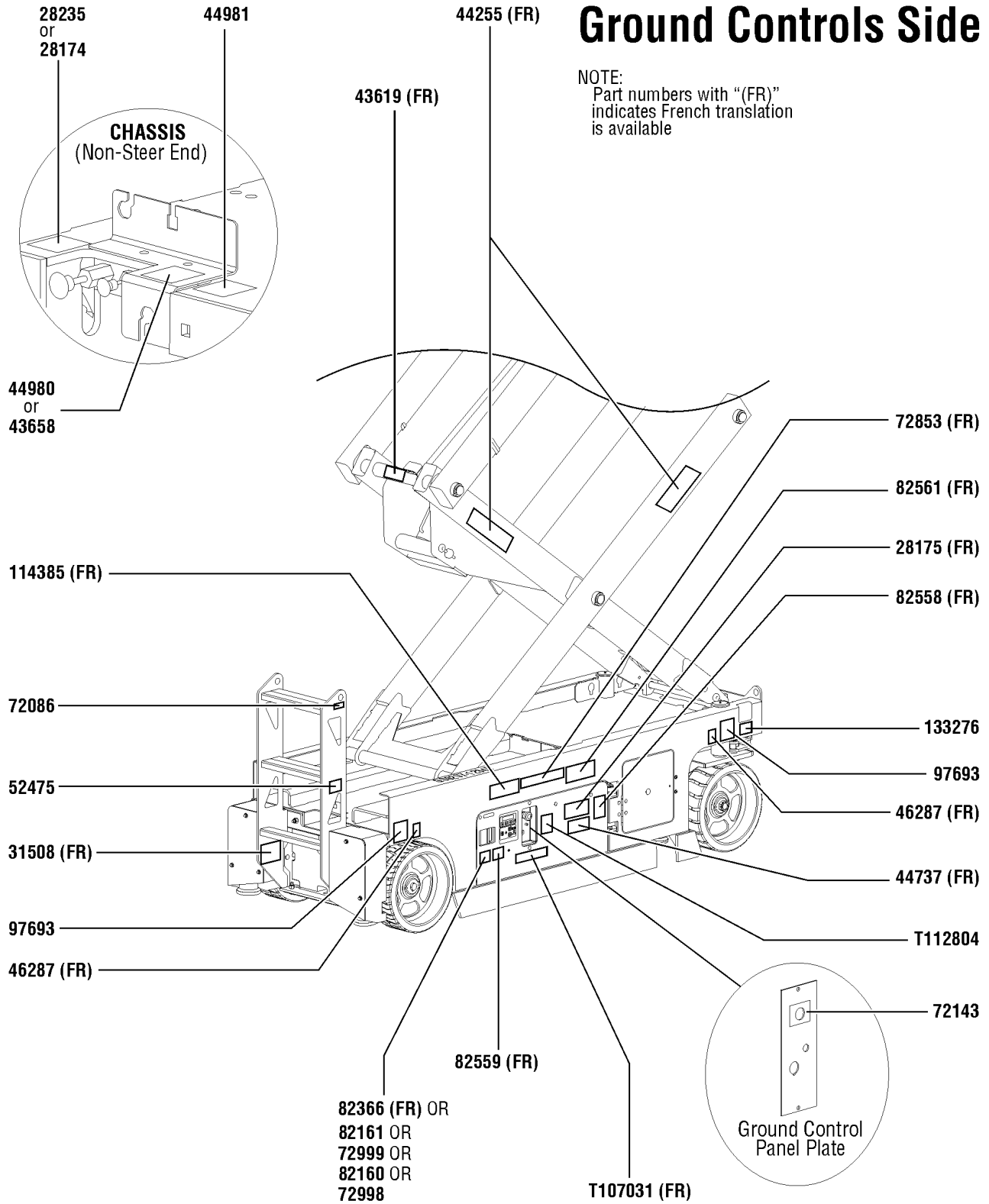
Item	Part No.	Description	Qty.	Item	Part No.	Description	Qty.
A	217253	DECAL KIT,2632 PLAT.,WRD,ANSI (ANSI models with 2 speed controller) to SN GS3214A-134999 and to SN GS3214C-13999		17	114361	DECAL,LABEL-TRANSPORT DIGRAM.....	2
B	217254	DECAL KIT,2632 COMP.,WRD,ANSI (ANSI models with 2 speed controller) to SN GS3214A-134999 and to SN GS3214C-13999		18	114385	DECAL,DANGER,ELEC HAZARD,GS.....	1
C	217265	DECAL KIT,2632 PLAT.,WRD,AUST (Australia models with 2 speed controller) to SN GS3214A-134999 and to SN GS3214C-13999		19	T107029	DECAL,DANGER,BRAKE REL SAFETY.....	1
D	217266	DECAL KIT,2632 COMP.,WRD,AUST (Australia models with 2 speed controller) to SN GS3214A-134999 and to SN GS3214C-13999					
1	31060	DECAL,DANGER DO NOT ALTER SWTC.....	1				
2	31508	DECAL,DANGER,ELECT HAZARD,PLUG..... (Australia models only)	1				
3	31788	DECAL,DANGER,BATTERY SAFETY***	1				
4	38149	DECAL,LABEL,PATENTS..... (Domestic units only)	1				
5	43658	DECAL,LABEL,PWR TO CHARGR 230V..... (Australia models only)	1				
6	44255	DECAL,DANGER,CRUSHING HAZARD.....	2				
7	44737	DECAL,DANGER,TIP-OVER,TRAYS.1					
8	44980	DECAL,LABEL,PWR TO CHARGR 115V..... (Australia models only)	1				
9	46287	DECAL,LABEL-TIRE SPECS.....	2				
10	52475	DECAL,LABEL,TRANSPORT TIEDOWN*	2				
11	72086	DECAL,LABEL,LIFTING EYE.....	3				
12	72970	DECAL,INSTRUCTIONS-CHARGER OP.....	1				
13	82561	DECAL,DANGER-USE SAFETY ARM.....	1				
14	82657	DECAL,INSTRUCT,BATTERY CONNECT.....	1				
15	97693	DECAL,LABEL,WHEEL LOAD 2632.....	2				
16	114360	DECAL,DANGER-TIP-OVER,BATT..1					



106.1 Word Decals, GS-2632, Ground Control Side, ANSI and Australia

Ground Controls Side

NOTE:
Part numbers with "(FR)" indicates French translation is available



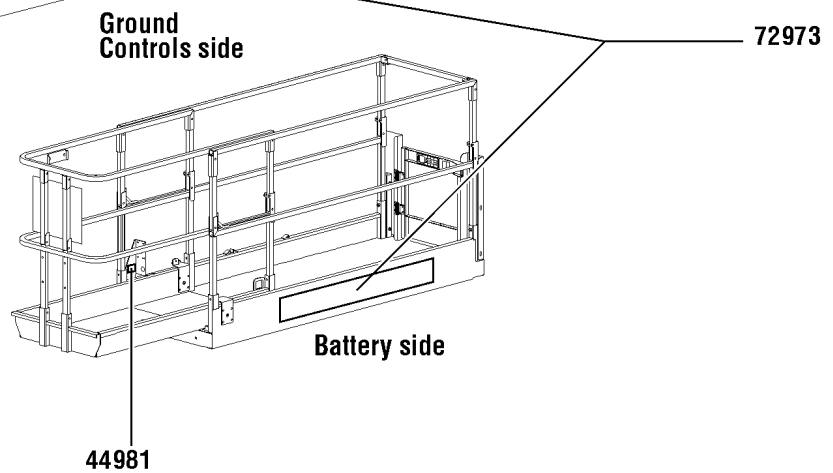
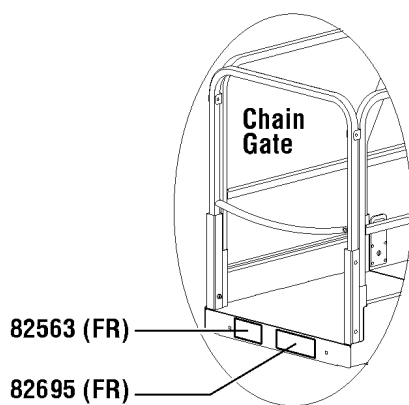
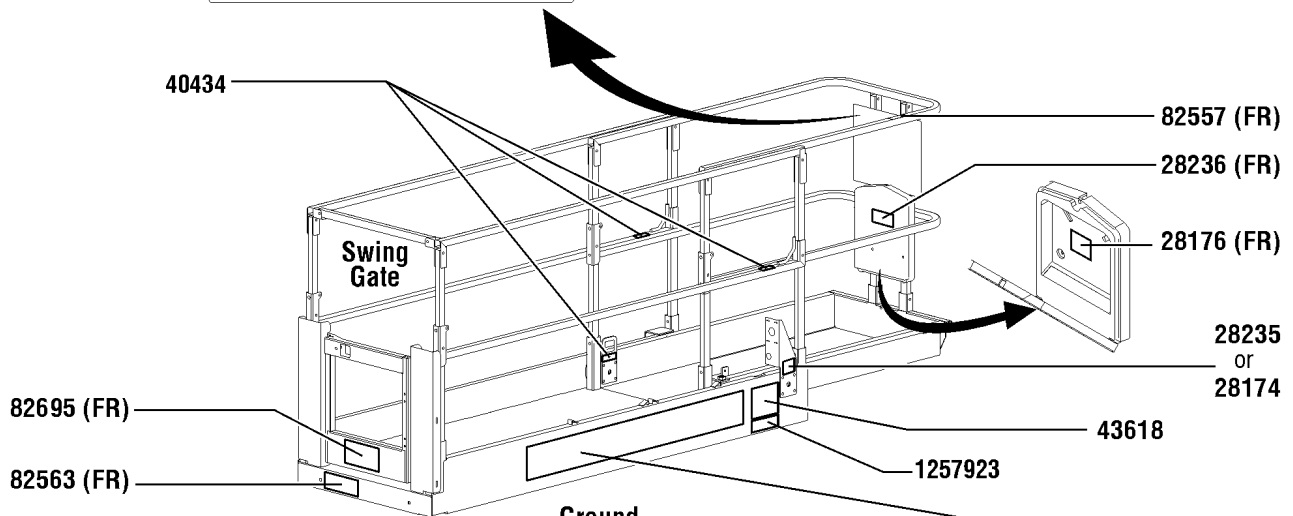
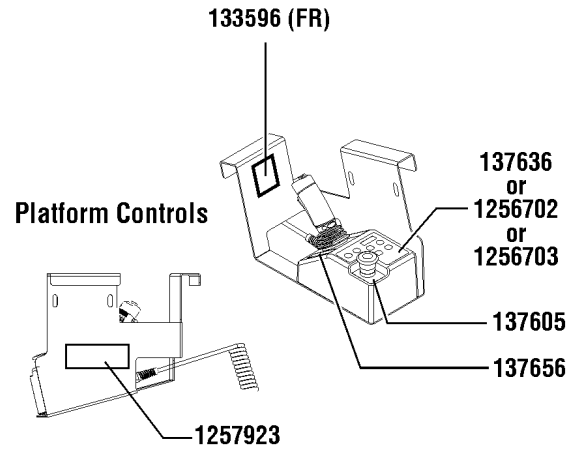
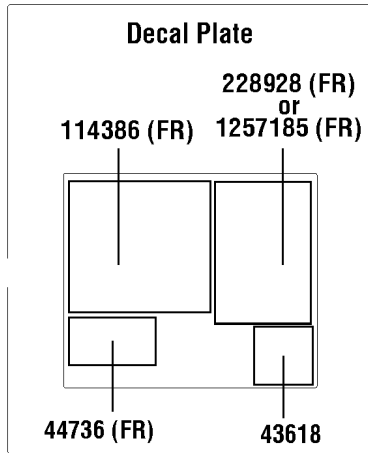
106.1 Word Decals, GS-2632, Ground Control Side, ANSI and Australia

Item	Part No.	Description	Qty.	Item	Part No.	Description	Qty.
--		REF: Word Decal Kits <i>(refer to 105.1)</i>		21	82558	DECAL,SKIN INJECTION.....	1
1	28174	DECAL,POWER TO PLATFORM 230V.....	1	22	82559	DECAL,INSTRUCT-ANNUAL INSP REQ.....	1
2	28175	DECAL,COMPARTMENT ACCESS.....	1	23	82561	DECAL,DANGER-USE SAFETY ARM.....	1
3	28235	DECAL,POWER TO PLATFORM 115V.....	1	24	97693	DECAL,LABEL,WHEEL LOAD 2632.....	2
4	31508	DECAL,DANGER,ELECT HAZARD,PLUG..... <i>(For ANSI models only)</i>	1	25	114385	DECAL,DANGER,ELEC HAZARD,GS.....	1
5	43619	DECAL,LABEL,SAFETY ARM.....	1	26	133276	DECAL,EMERGENCY LOWERING.....	1
6	43658	DECAL,LABEL,PWR TO CHARGR 230V..... <i>(For ANSI models only)</i>	1	27	T107031	DECAL,OP INST,GCON.....	1
7	44255	DECAL,DANGER,CRUSHING HAZARD.....	2	28	T112804	DECAL,GCON PANEL,GS.....	1
8	46287	DECAL,LABEL-TIRE SPECS.....	2				
9	44737	DECAL,DANGER,TIP-OVER,TRAYS.	1				
10	44980	DECAL,LABEL,PWR TO CHARGR 115V..... <i>(For ANSI models only)</i>	1				
11	44981	DECAL,LABEL,AIRLINE 110 PSI..... <i>(Option)</i>	1				
12	52475	DECAL,LABEL,TRANSPORT TIEDOWN*.....	1				
13	72086	DECAL,LABEL,LIFTING EYE.....	1				
14	72143	DECAL,EMERGENCY STOP,GR.....	1				
15	72853	DECAL,DANGER,IMPROPER USE HAZ.....	1				
16	72998	DECAL,LABEL,QUINTOLUBRIK..... <i>(models with Quintolub hydraulic oil)</i>	1				
17	72999	DECAL,LABEL,PETRO CANADA*** <i>(For models with Petro Canada hydraulic oil only)</i>	1				
18	82160	DECAL,LABEL,STATOIL HYDRA WAY..... <i>(For models with Statoil hydraulic oil only)</i>	1				
19	82161	DECAL,LABEL,UCON HYDROLUBE..... <i>(For models with Ucon Hydrolube hydraulic oil only)</i>	1				
20	82366	DECAL,CHEVRON RANDO HD..... <i>(For models with Chevron Rando hydraulic oil only)</i>	1				



Platform, ANSI models

NOTE:
Part numbers with "(FR)"
indicates French translation
is available



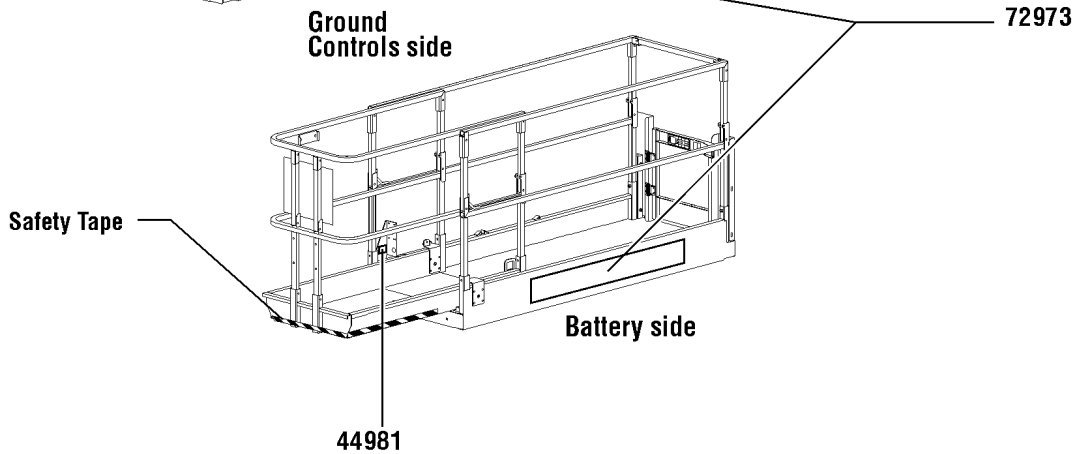
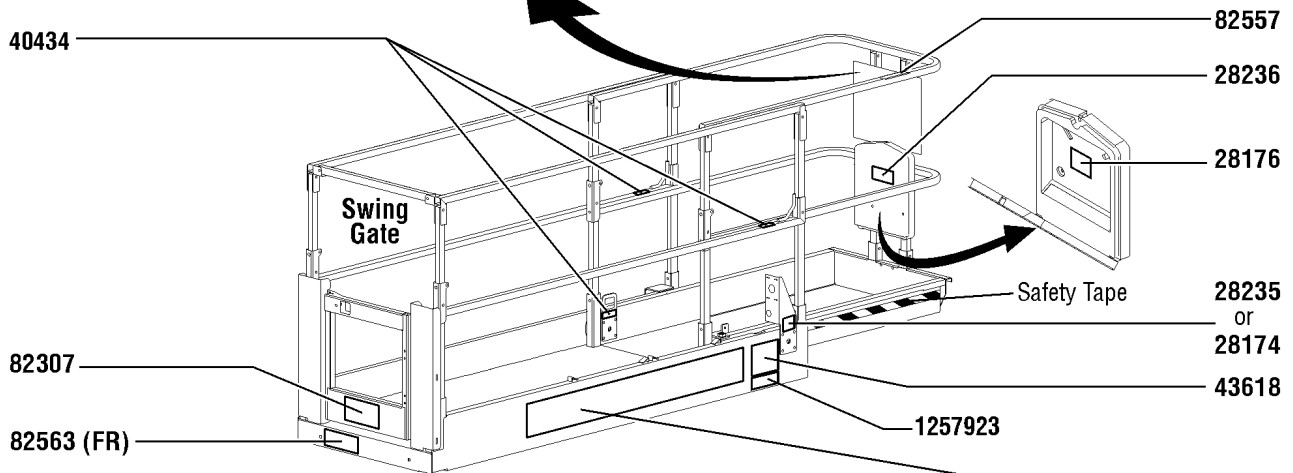
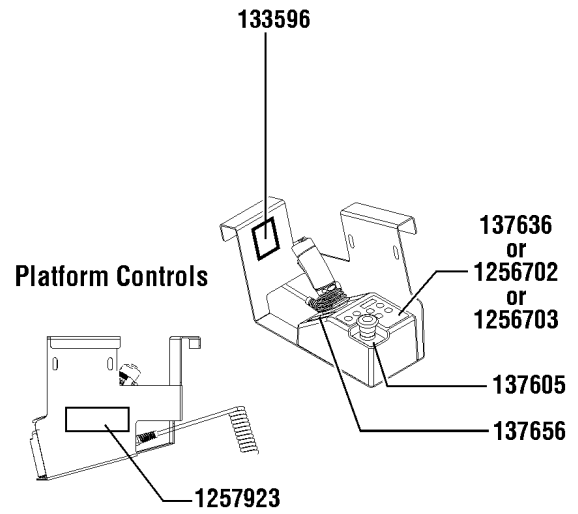
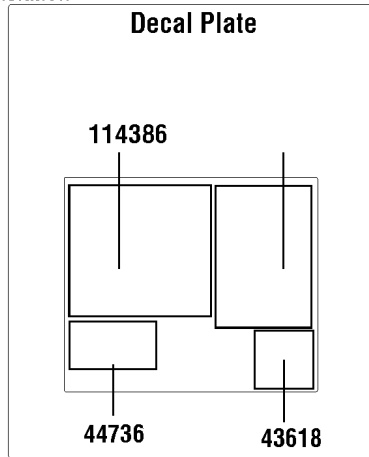
107.1 Word Decals, GS-2632, Platform, ANSI

Item	Part No.	Description	Qty.	Item	Part No.	Description	Qty.
--		REF: Word Decal Kits <i>(refer to 105.1)</i>		21	1257185	DECAL,OP INST,PLAT,GS32 ANSI.....1 <i>(models with 4 button, proportional controller)</i>	1
1	28174	DECAL,POWER TO PLATFORM 230V.....1	1	22	1257923	DECAL, SMARTLINK PROPORTIONAL.....2 <i>(models with 4 button, proportional controller, and units converted from 6 button, 2 speed lift to 4 button, proportional controller)</i>	2
2	28176	DECAL,LABEL,MANUAL NOT HERE.....1	1				
3	28235	DECAL,POWER TO PLATFORM 115V.....1	1				
4	28236	DECAL,WARN,IMPROPER OPERATION.....1	1				
5	40434	DECAL,LANYARD ANCHORAGE POINT.....3	3				
6	43618	DECAL,LABEL-DIRECTION ARROWS.....2	2				
7	44736	DECAL,DANGER,TIP-OVER,TILT....1	1				
8	44981	DECAL,LABEL,AIRLINE 110 PSI....1	1				
9	72973	DECAL,COSMETIC,GENIE GS-2632**.....2	2				
10	82557	DECAL,LABEL,PLAT CONT LOCATION.....1	1				
11	82563	DECAL,INSTR-MAX CAP 500 LBS.....1 <i>for GS2632 models</i>	1				
12	82695	DECAL,INSTR-SIDE FRC,ANSI.....1	1				
13	114386	DECAL,DANGER-GEN SAFETY.....1	1				
14	133596	DECAL,LABEL,FAULT CODES.....1	1				
15	137636	UI, GR/GRC/GS PCON DECAL.....1 <i>(models with 6 button, 2 speed controller) to SN GS3214A-134999 and to SN GS3214C-13999</i>	1				
16	137605	DECAL,E-STOP,GR/GRC/GS PCON.....1	1				
17	137656	DECAL,PROPEL,GR/GRC/GS,PCON.1	1				
18	228928	DECAL,INSTRUCTIONS,OPER,GS32.1 <i>(models with 6 button, 2 speed controller) to SN GS3214A-134999 and to SN GS3214C-13999</i>	1				
19	1256702	DECAL, UI, GS/GR, PROP LIFT.....1 <i>(models with 4 button, proportional controller)</i>	1				
20	1256703	DECAL, STD, PROP LIFT, UI, SVC.....1 <i>(units converted from 6 button, 2 speed lift to 4 button, proportional controller)</i>	1				



Platform, Australia models

NOTE:
Part numbers with "(FR)"
indicates French translation
is available



108.1 Word Decals, GS-2632, Platform, Australia

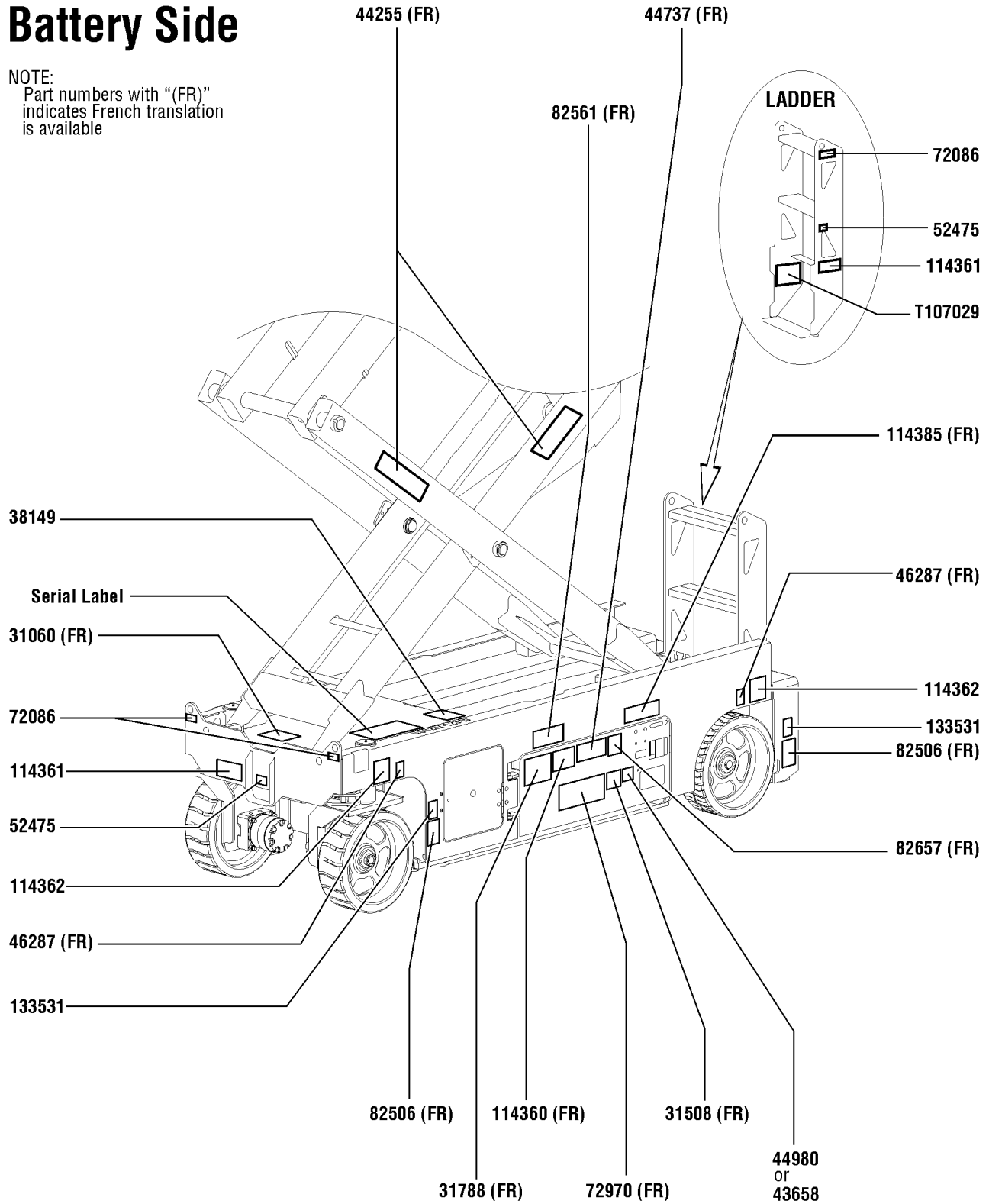
Item	Part No.	Description	Qty.	Item	Part No.	Description	Qty.
--		REF: Word Decal Kits <i>(refer to 105.1)</i>		21	1257187	DECAL,OP INST,PLAT,GS32,AUS.....1 <i>(models with 4 button, proportional controller)</i>	1
1	28174	DECAL,POWER TO PLATFORM 230V.....1	1	22	1257923	DECAL, SMARTLINK PROPORTIONAL.....2 <i>(models with 4 button, proportional controller, and units converted from 6 button, 2 speed lift to 4 button, proportional controller)</i>	2
2	28176	DECAL,LABEL,MANUAL NOT HERE.....1	1				
3	28235	DECAL,POWER TO PLATFORM 115V.....1	1				
4	28236	DECAL,WARN,IMPROPER OPERATION.....1	1				
5	40434	DECAL,LANYARD ANCHORAGE POINT.....3	3				
6	43618	DECAL,LABEL-DIRECTION ARROWS.....2	2				
7	44736	DECAL,DANGER,TIP-OVER,TILT....1	1				
8	44981	DECAL,LABEL,AIRLINE 110 PSI....1 <i>(Option)</i>	1				
9	72973	DECAL,COSMETIC,GENIE GS-2632**.....1	1				
10	82307	DECAL,INSTR,INDOOR,AUS-26/3232.1	1				
11	82557	DECAL,LABEL,PLAT CONT LOCATION.....1	1				
12	82563	DECAL,INSTR-MAX CAP 500 LBS.....1 <i>for GS2632 models</i>	1				
13	114386	DECAL,DANGER-GEN SAFETY....1	1				
14	133596	DECAL,LABEL,FAULT CODES.....1	1				
15	137605	DECAL,E-STOP,GR/GRC/GS PCON.....1	1				
16	137636	UI, GR/GRC/GS PCON DECAL.....1 <i>(models with 6 button, 2 speed controller) to SN GS3214A-134999 and to SN GS3214C-13999</i>	1				
17	137656	DECAL,PROPEL,GR/GRC/GS,PCON.1	1				
18	228929	DECAL,OP INST,AUS,GS-32.....1 <i>(models with 6 button, 2 speed controller) to SN GS3214A-134999 and to SN GS3214C-13999</i>	1				
19	1256702	DECAL, UI, GS/GR, PROP LIFT.....1 <i>(models with 4 button, proportional controller)</i>	1				
20	1256703	DECAL, STD, PROP LIFT, UI, SVC.....1 <i>(units converted from 6 button, 2 speed lift to 4 button, proportional controller)</i>	1				



109.1 Word Decals, GS-3232, Battery Side, ANSI & Australia

Battery Side

NOTE:
Part numbers with "(FR)"
indicates French translation
is available



109.1 Word Decals, GS-3232, Battery Side, ANSI & Australia

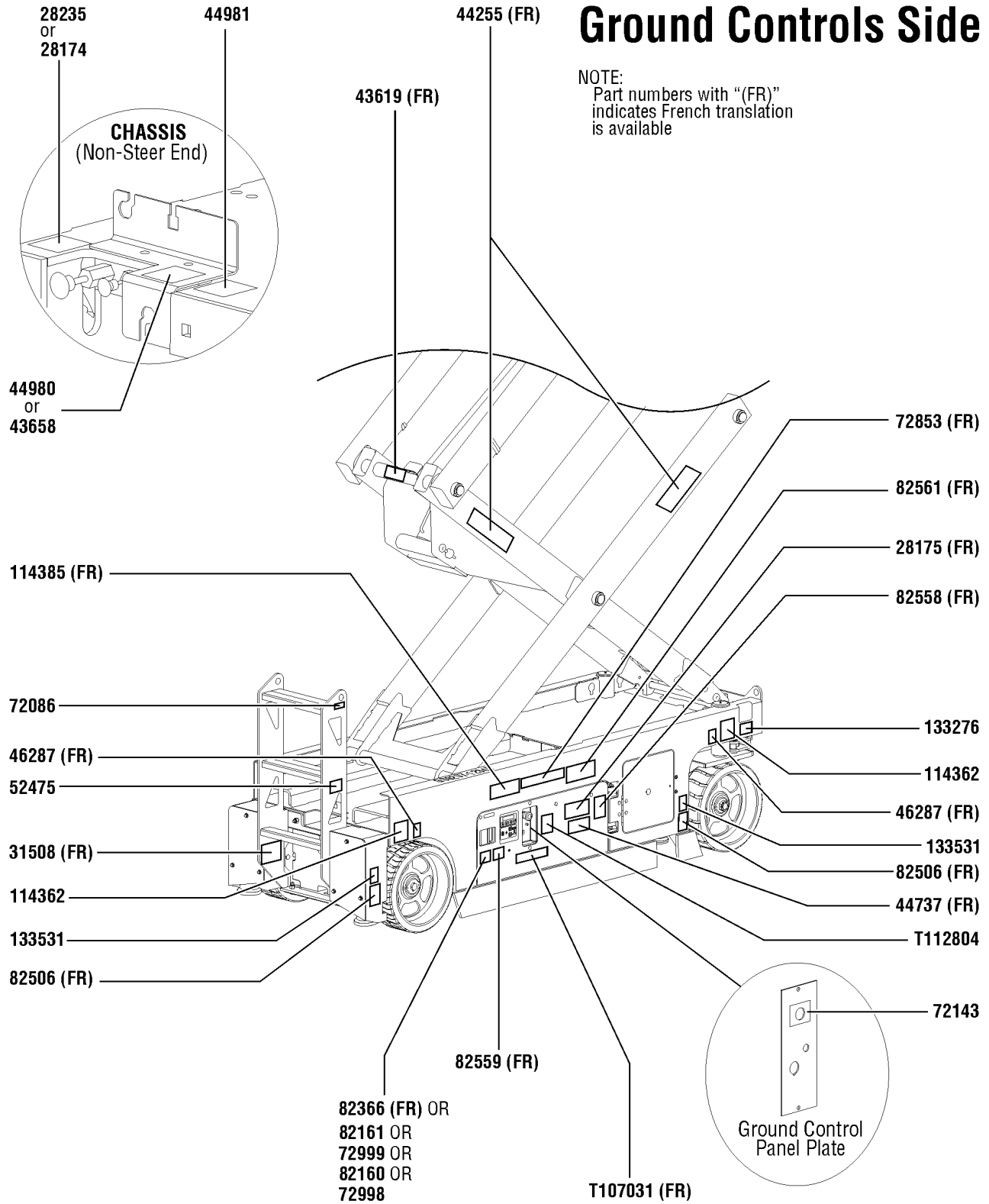
Item	Part No.	Description	Qty.	Item	Part No.	Description	Qty.
A	217255	DECAL KIT,3232 PLAT.,WRD,ANSI (ANSI models with 2 speed controller) to SN GS3214A-134999		18	114362	DECAL,LABEL-WHEEL LOAD,GS-3232.....	2
B	217256	DECAL KIT,3232 COMP.,WRD,ANSI (ANSI models with 2 speed controller) to SN GS3214A-134999		19	114385	DECAL,DANGER,ELEC HAZARD,GS.....	1
C	217267	DECAL KIT,3232 PLAT.,WRD,AUST (Australia models with 2 speed controller) to SN GS3214A-134999		20	133531	LABEL,OUTRIGGER,LOAD,GS-3232.2	
D	217268	DECAL KIT,3232 COMP.,WRD,AUST (Australia models with 2 speed controller) to SN GS3214A-134999		21	T107029	DECAL,DANGER,BRAKE REL SAFETY.....	1
1	31060	DECAL,DANGER DO NOT ALTER SWTC.....	1				
2	31508	DECAL,DANGER,ELECT HAZARD,PLUG..... (Australia models only)	1				
3	31788	DECAL,DANGER,BATTERY SAFETY***	1				
4	38149	DECAL,LABEL,PATENTS..... (Domestic units only)	1				
5	43658	DECAL,LABEL,PWR TO CHARGR 230V..... (Australia models only)	1				
6	44255	DECAL,DANGER,CRUSHING HAZARD.....	1				
7	44737	DECAL,DANGER,TIP-OVER,TRAYS.1					
8	44980	DECAL,LABEL,PWR TO CHARGR 115V..... (Australia models only)	1				
9	46287	DECAL,LABEL-TIRE SPECS.....	2				
10	52475	DECAL,LABEL,TRANSPORT TIEDOWN*	2				
11	72086	DECAL,LABEL,LIFTING EYE.....	3				
12	72970	DECAL,INSTRUCTIONS-CHARGER OP.....	1				
13	82506	DECAL,WARNING-FOOT CRUSHING.....	2				
14	82561	DECAL,DANGER-USE SAFETY ARM.....	1				
15	82657	DECAL,INSTRUCT,BATTERY CONNECT.....	1				
16	114360	DECAL,DANGER-TIP-OVER,BATT..1					
17	114361	DECAL,LABEL-TRANSPORT DIGRAM.....	2				



110.1 Word Decals, GS-3232, Ground Control Side, ANSI and Australia

Ground Controls Side

NOTE:
Part numbers with "(FR)" indicates French translation is available



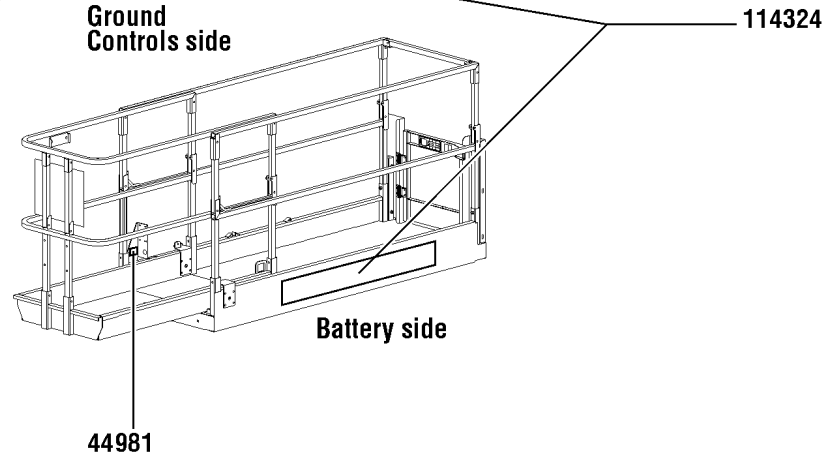
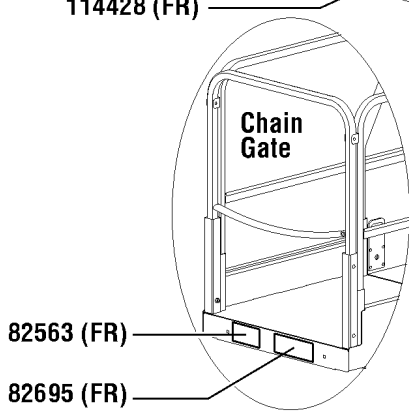
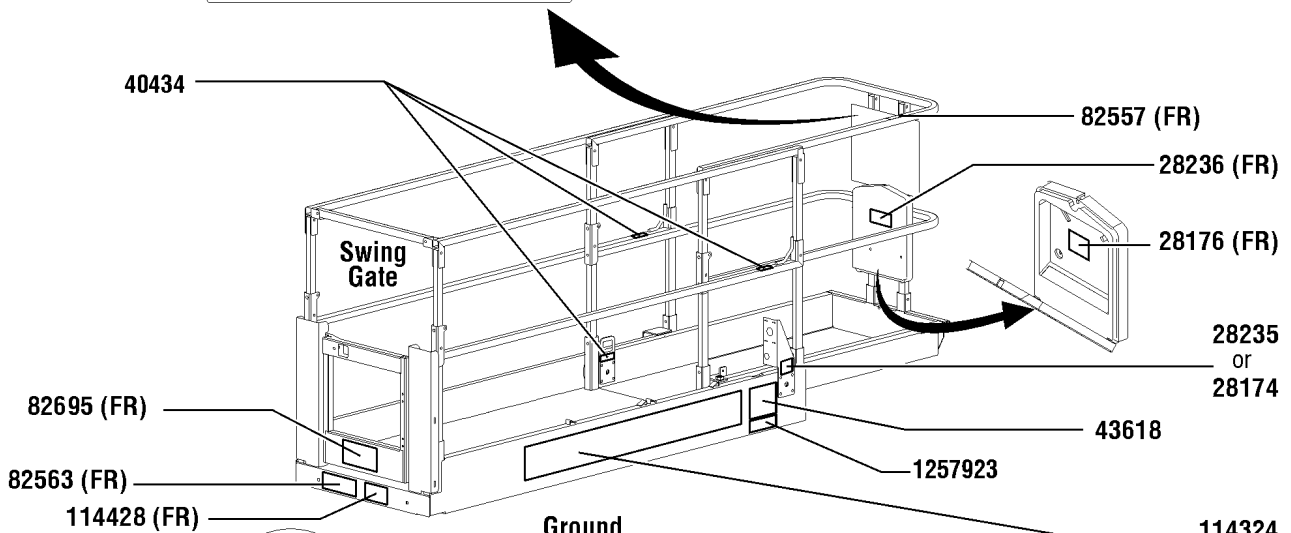
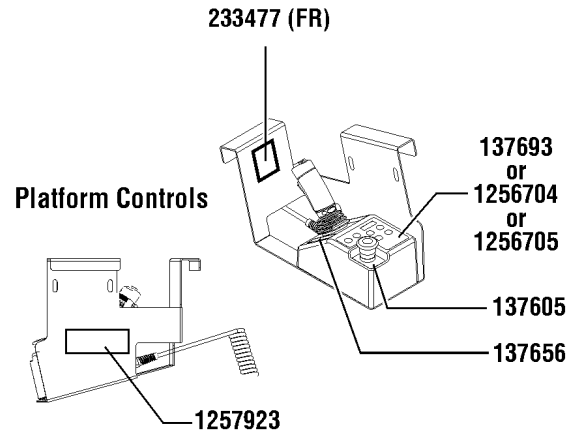
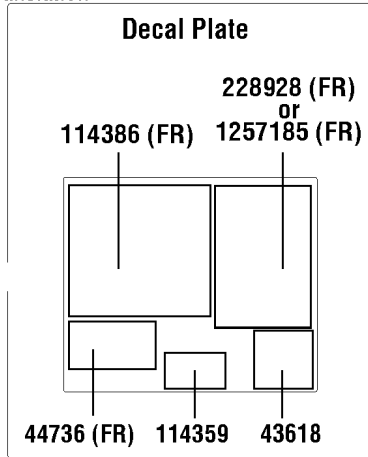
110.1 Word Decals, GS-3232, Ground Control Side, ANSI and Australia

Item	Part No.	Description	Qty.	Item	Part No.	Description	Qty.
--		REF: Word Decal Kits for ANSI and Australia <i>(refer to 109.1)</i>		21	82506	DECAL,WARNING-FOOT CRUSHING.....	2
1	28174	DECAL,POWER TO PLATFORM 230V.....	1	22	82558	DECAL,SKIN INJECTION.....	1
2	28175	DECAL,COMPARTMENT ACCESS.....	1	23	82559	DECAL,INSTRUCT-ANNUAL INSP REQ.....	1
3	28235	DECAL,POWER TO PLATFORM 115V.....	1	24	82561	DECAL,DANGER-USE SAFETY ARM.....	1
4	31508	DECAL,DANGER,ELECT HAZARD,PLUG..... <i>(For ANSI models only)</i>	1	25	114362	DECAL,LABEL-WHEEL LOAD,GS-3232.....	2
5	43619	DECAL,LABEL,SAFETY ARM.....	1	26	114385	DECAL,DANGER,ELEC HAZARD,GS.....	1
6	43658	DECAL,LABEL,PWR TO CHARGR 230V..... <i>(For ANSI models only)</i>	1	27	133276	DECAL,EMERGENCY LOWERING.....	1
7	44255	DECAL,DANGER,CRUSHING HAZARD.....	2	28	133531	LABEL,OUTRIGGER,LOAD,GS-3232.2	
8	46287	DECAL,LABEL-TIRE SPECS.....	2	29	T107031	DECAL,OP INST,GCON.....	1
9	44737	DECAL,DANGER,TIP-OVER,TRAYS.1		30	T112804	DECAL,GCON PANEL,GS.....	1
10	44980	DECAL,LABEL,PWR TO CHARGR 115V..... <i>(For ANSI models only)</i>	1				
11	44981	DECAL,LABEL,AIRLINE 110 PSI..... <i>(Option)</i>	1				
12	52475	DECAL,LABEL,TRANSPORT TIEDOWN*.....	1				
13	72086	DECAL,LABEL,LIFTING EYE.....	1				
14	72143	DECAL,EMERGENCY STOP,GR.....	1				
15	72853	DECAL,DANGER,IMPROPER USE HAZ.....	1				
16	72998	DECAL,LABEL,QUINTOLUBRIK..... <i>(models with Quintolub hydraulic oil)</i>	1				
17	72999	DECAL,LABEL,PETRO CANADA*** <i>(For models with Petro Canada hydraulic oil only)</i>	1				
18	82160	DECAL,LABEL,STATOIL HYDRA WAY <i>(For models with Statoil hydraulic oil only)</i>	1				
19	82161	DECAL,LABEL,UCON HYDROLUBE..... <i>(For models with Ucon Hydrolube hydraulic oil only)</i>	1				
20	82366	DECAL,CHEVRON RANDO HD..... <i>(For models with Chevron Rando hydraulic oil only)</i>	1				



Platform, ANSI models

NOTE:
Part numbers with "(FR)"
indicates French translation
is available



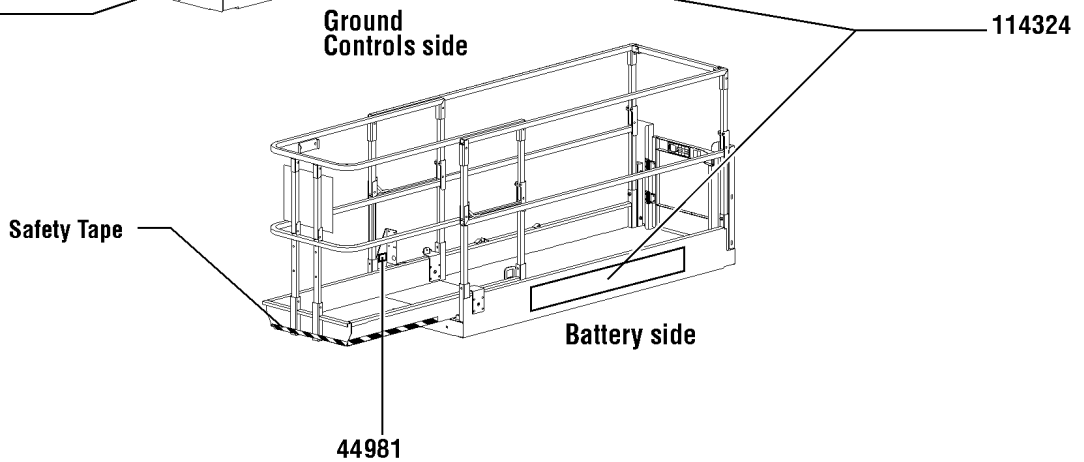
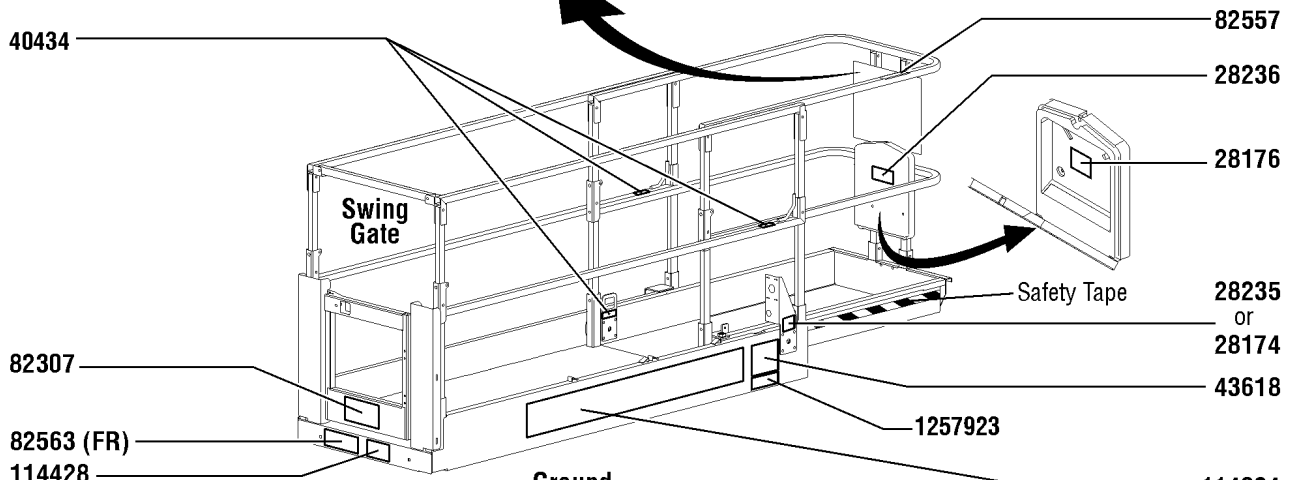
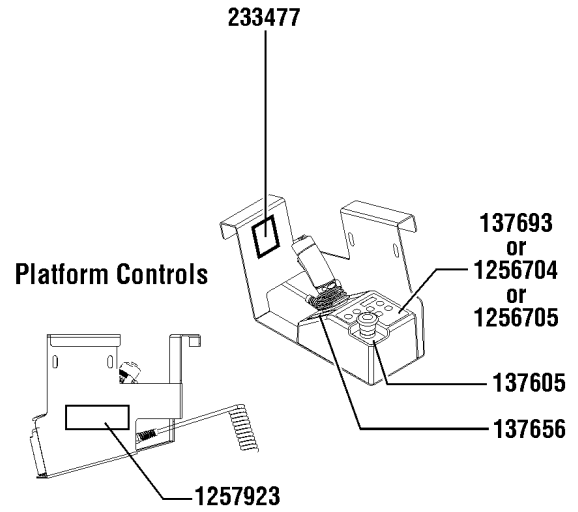
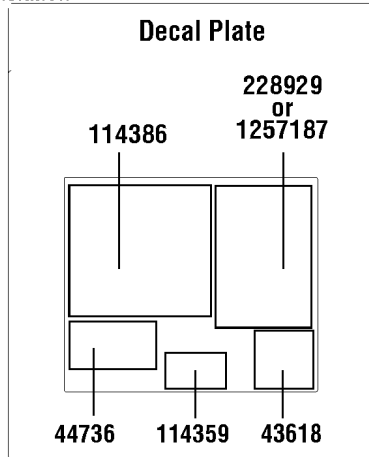
111.1 Word Decals, GS-3232, Platform, ANSI

Item	Part No.	Description	Qty.	Item	Part No.	Description	Qty.
--		REF: Word Decal Kits for ANSI and Australia <i>(refer to 109.1)</i>		22	1256705	DECAL, O/R, PROP LIFT, UI, SVC.....1 <i>(units converted from 8 button, 2 speed lift to 6 button, proportional controller)</i>	1
1	28174	DECAL,POWER TO PLATFORM 230V.....1	1	23	1257185	DECAL,OP INST,PLAT,GS32 ANSI.....1 <i>(models with 6 button, proportional controller)</i>	1
2	28176	DECAL,LABEL,MANUAL NOT HERE.....1	1	24	1257923	DECAL, SMARTLINK PROPORTIONAL.....2 <i>(models with 6 button, proportional controller, and units converted from 8 button, 2 speed lift to 6 button, proportional controller)</i>	2
3	28235	DECAL,POWER TO PLATFORM 115V.....1	1				
4	28236	DECAL,WARN,IMPROPER OPERATION.....1	1				
5	40434	DECAL,LANYARD ANCHORAGE POINT.....3	3				
6	43618	DECAL,LABEL-DIRECTION ARROWS.....2	2				
7	44736	DECAL,DANGER,TIP-OVER,TILT....1	1				
8	44981	DECAL,LABEL,AIRLINE 110 PSI....1	1				
9	82557	DECAL,LABEL,PLAT CONT LOCATION.....1	1				
10	82563	DECAL,INSTR-MAX CAP 500 LBS.....1 <i>for GS3232 models</i>	1				
11	82695	DECAL,INSTR-SIDE FRC,ANSI.....1	1				
12	114324	DECAL,COSMETIC-GENIE GS-3232.....2	2				
13	114359	DANGER/INSTR-OUTRGR OP-GS3232.....1	1				
14	114386	DECAL,DANGER-GEN SAFETY.....1	1				
15	114428	DECAL,INSTRUCT,TRAVEL HEIGHT.....1	1				
16	137605	DECAL,E-STOP,GR/GRC/GS PCON.....1	1				
17	137656	DECAL,PROPEL,GR/GRC/GS,PCON.1	1				
18	137693	DECAL, UI, GS3232, PCON.....1 <i>(models with 8 button, 2 speed controller) to SN GS3214A-134999</i>	1				
19	228928	DECAL,INSTRUCTIONS,OPER,GS32.1 <i>(models with 8 button, 2 speed controller) to SN GS3214A-134999</i>	1				
20	233477	DECAL,LABEL,FAULT CODES.....1	1				
21	1256705	DECAL, O/R, PROP LIFT, UI, SVC.....1 <i>(models with 6 button, proportional controller)</i>	1				



Platform, Australia models

NOTE:
Part numbers with "(FR)"
indicates French translation
is available



112.1 Word Decals, GS-3232, Platform, Australia

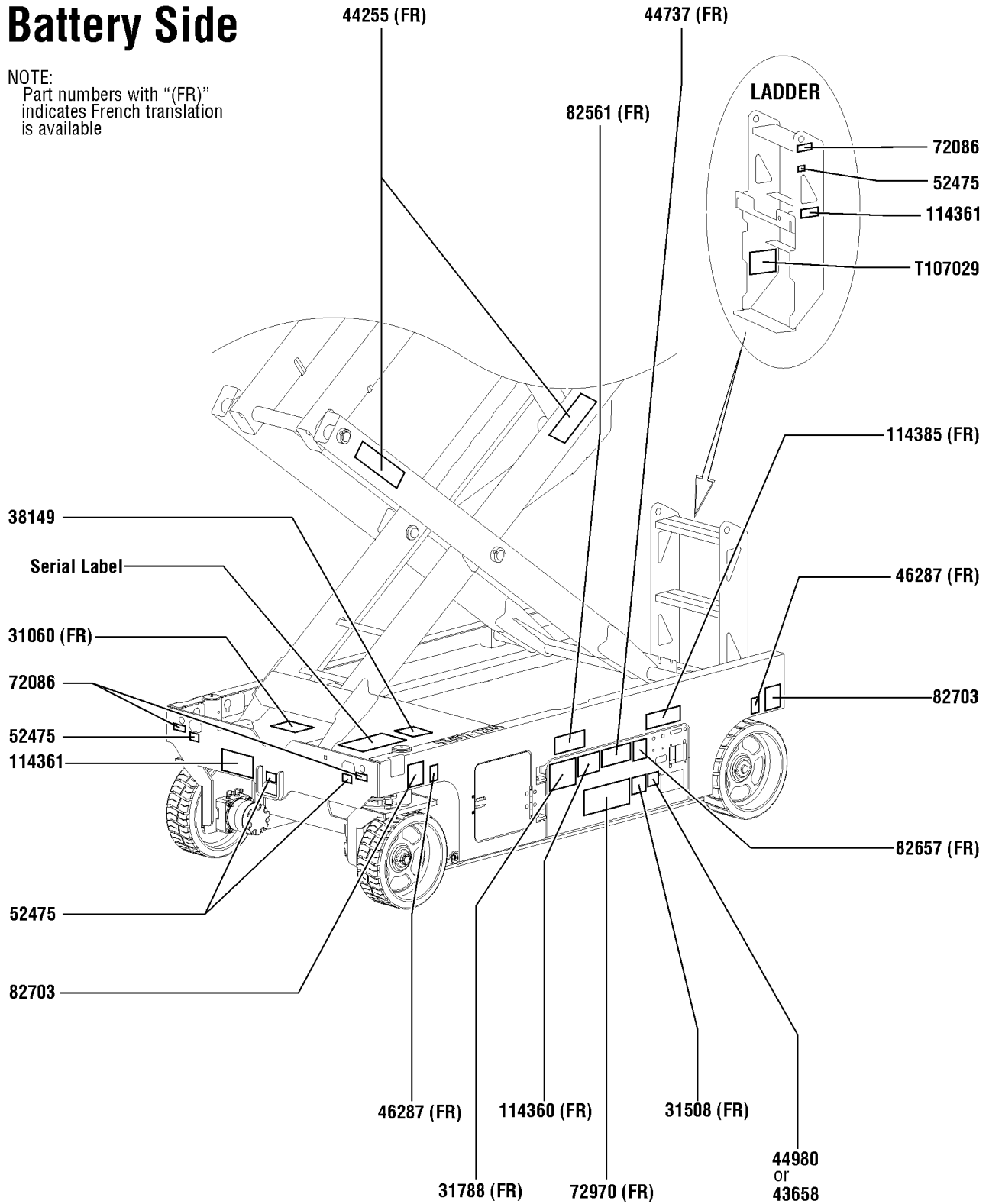
Item	Part No.	Description	Qty.	Item	Part No.	Description	Qty.
--		REF: Word Decal Kits for ANSI and Australia <i>(refer to 109.1)</i>		22	1256705	DECAL, O/R, PROP LIFT, UI, SVC.....1 <i>(units converted from 8 button, 2 speed lift to 6 button, proportional controller)</i>	1
1	28174	DECAL,POWER TO PLATFORM 230V.....1	1	23	1257187	DECAL,OP INST,PLAT,GS32,AUS.....1 <i>(models with 6 button, proportional controller)</i>	1
2	28176	DECAL,LABEL,MANUAL NOT HERE.....1	1	24	1257923	DECAL, SMARTLINK PROPORTIONAL.....2 <i>(models with 6 button, proportional controller, and units converted from 8 button, 2 speed lift to 6 button, proportional controller)</i>	2
3	28235	DECAL,POWER TO PLATFORM 115V.....1	1				
4	28236	DECAL,WARN,IMPROPER OPERATION.....1	1				
5	40434	DECAL,LANYARD ANCHORAGE POINT.....3	3				
6	43618	DECAL,LABEL-DIRECTION ARROWS.....2	2				
7	44736	DECAL,DANGER,TIP-OVER,TILT....1	1				
8	44981	DECAL,LABEL,AIRLINE 110 PSI.....1 <i>(Option)</i>	1				
9	82307	DECAL,INSTR,INDOOR,AUS-26/3232.1	1				
10	82557	DECAL,LABEL,PLAT CONT LOCATION.....1	1				
11	82563	DECAL,INSTR-MAX CAP 500 LBS.....1 <i>for GS3232 models</i>	1				
12	114324	DECAL,COSMETIC-GENIE GS-3232.....1	1				
13	114359	DANGER/INSTR-OUTRGR OP-GS3232.....1	1				
14	114386	DECAL,DANGER-GEN SAFETY.....1	1				
15	114428	DECAL,INSTRUCT,TRAVEL HEIGHT.....1	1				
16	137605	DECAL,E-STOP,GR/GRC/GS PCON.....1	1				
17	137656	DECAL,PROPEL,GR/GRC/GS,PCON.1	1				
18	137693	DECAL, UI, GS3232, PCON <i>(models with 8 button, 2 speed controller) to SN GS3214A-134999</i>	1				
19	228929	DECAL,OP INST,AUS,GS-32.....1 <i>(models with 8 button, 2 speed controller) to SN GS3214A-134999</i>	1				
20	233477	DECAL,LABEL,FAULT CODES.....1	1				
21	1256705	DECAL, O/R, PROP LIFT, UI, SVC.....1 <i>(models with 6 button, proportional controller)</i>	1				



113.1 Word Decals, GS-2046, Battery Side, ANSI & Australia

Battery Side

NOTE:
Part numbers with "(FR)"
indicates French translation
is available



113.1 Word Decals, GS-2046, Battery Side, ANSI & Australia

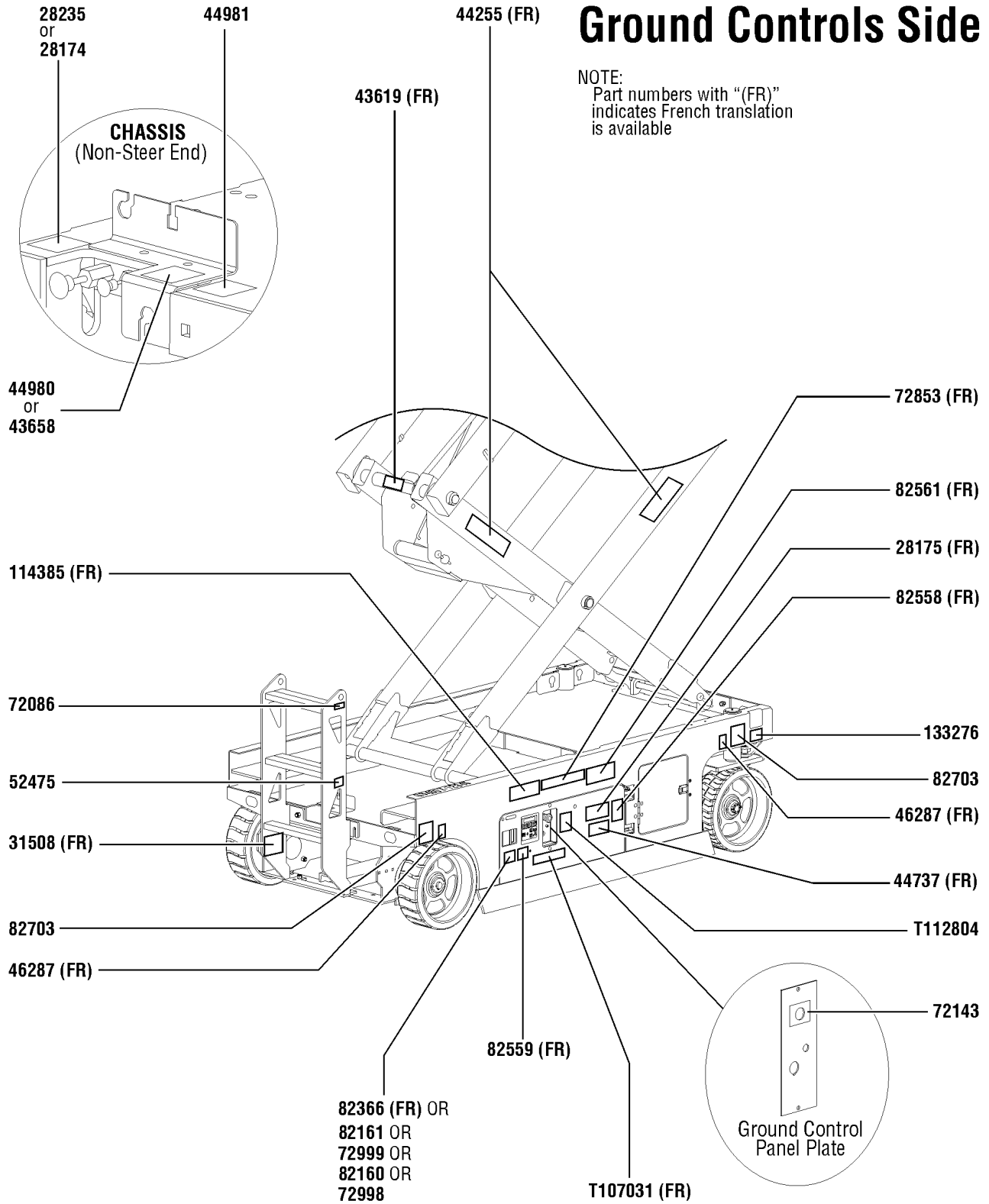
Item	Part No.	Description	Qty.	Item	Part No.	Description	Qty.
A	217257	DECAL KIT,2046 PLAT.,WRD,ANSI (ANSI models with 2 speed controller) to SN GS4614A-134999 and to SN GS4614C-13999		17	114361	DECAL,LABEL-TRANSPORT DIGRAM.....	2
B	217258	DECAL KIT,2046 COMP.,WRD,ANSI (ANSI models with 2 speed controller) to SN GS4614A-134999 and to SN GS4614C-13999		18	114385	DECAL,DANGER,ELEC HAZARD,GS.....	1
C	217269	DECAL KIT,2046 PLAT.,WRD,AUST (Australia models with 2 speed controller) to SN GS4614A-134999 and to SN GS4614C-13999		19	T107029	DECAL,DANGER,BRAKE REL SAFETY.....	1
D	217270	DECAL KIT,2046 COMP.,WRD,AUST (Australia models with 2 speed controller) to SN GS4614A-134999 and to SN GS4614C-13999					
1	31060	DECAL,DANGER DO NOT ALTER SWTC.....	1				
2	31508	DECAL,DANGER,ELECT HAZARD,PLUG..... (Australia models only)	1				
3	31788	DECAL,DANGER,BATTERY SAFETY***	1				
4	38149	DECAL,LABEL,PATENTS..... (Domestic units only)	1				
5	43658	DECAL,LABEL,PWR TO CHARGR 230V..... (Australia models only)	1				
6	44255	DECAL,DANGER,CRUSHING HAZARD.....	2				
7	44737	DECAL,DANGER,TIP-OVER,TRAYS.	1				
8	44980	DECAL,LABEL,PWR TO CHARGR 115V..... (Australia models only)	1				
9	46287	DECAL,LABEL-TIRE SPECS.....	2				
10	52475	DECAL,LABEL,TRANSPORT TIEDOWN*	4				
11	72086	DECAL,LABEL,LIFTING EYE.....	3				
12	72970	DECAL,INSTRUCTIONS-CHARGER OP.....	1				
13	82561	DECAL,DANGER-USE SAFETY ARM.....	1				
14	82657	DECAL,INSTRUCT,BATTERY CONNECT.....	1				
15	82703	DECAL,LABEL,WHEEL LOAD 2046.....	2				
16	114360	DECAL,DANGER-TIP-OVER,BATT..	1				



114.1 Word Decals, GS-2046, Ground Control Side, ANSI and Australia

Ground Controls Side

NOTE:
Part numbers with "(FR)" indicates French translation is available



114.1 Word Decals, GS-2046, Ground Control Side, ANSI and Australia

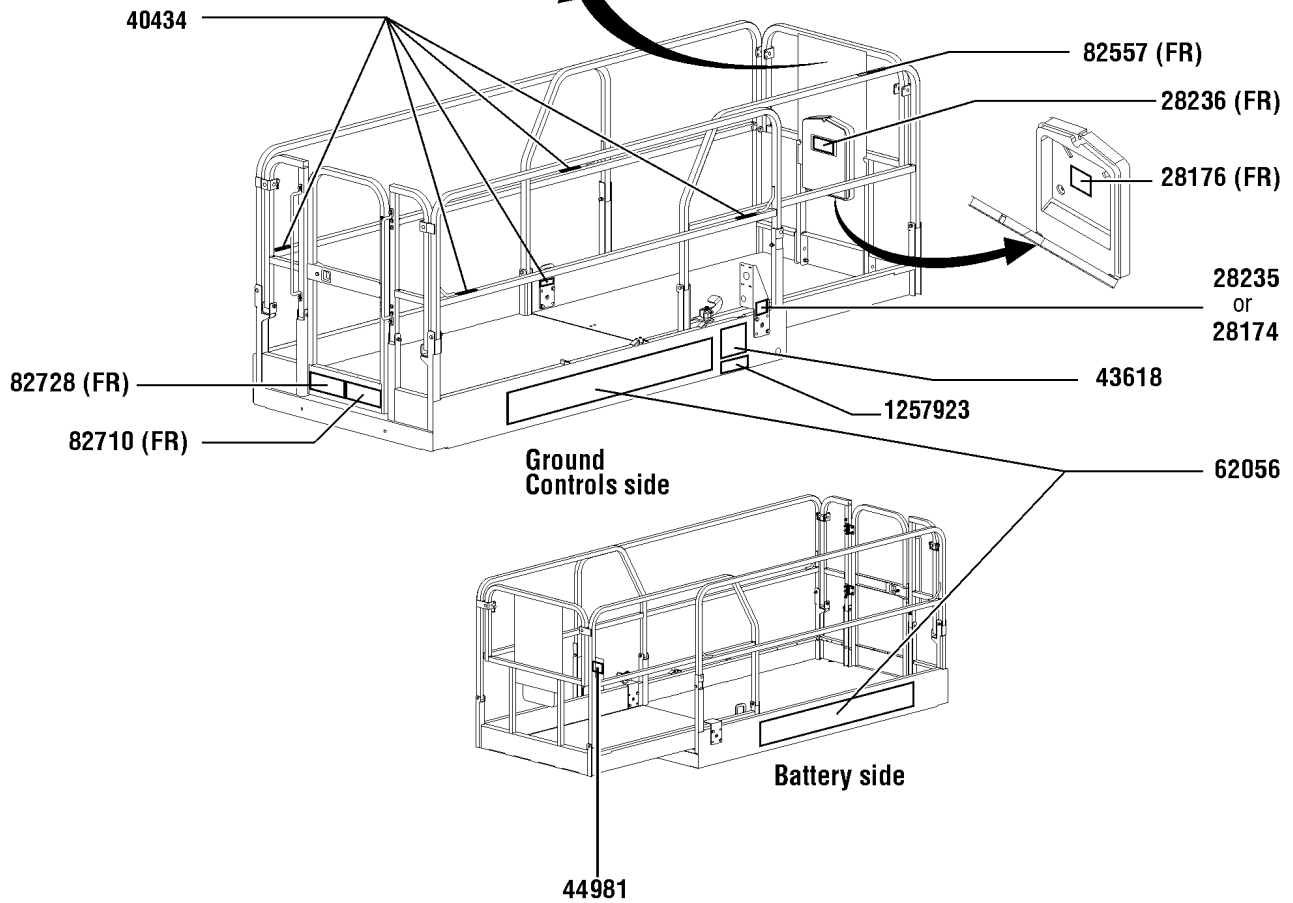
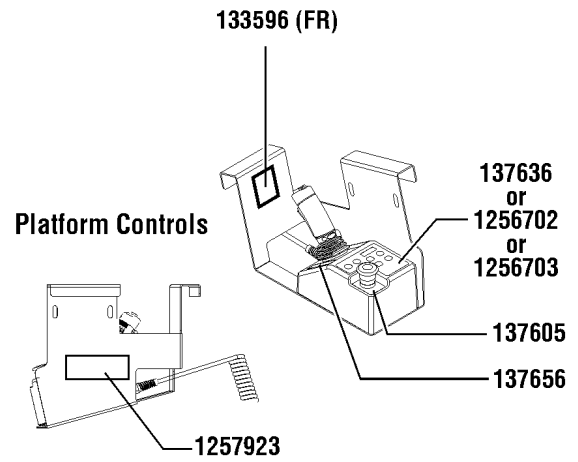
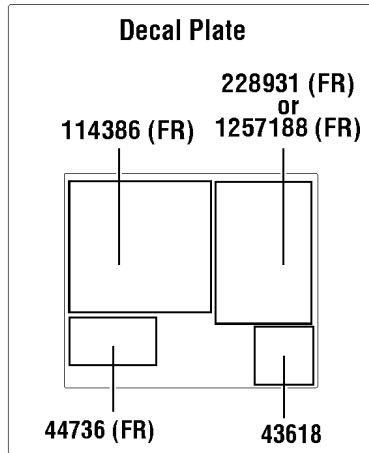
Item	Part No.	Description	Qty.	Item	Part No.	Description	Qty.
--		REF: Word Decal Kits <i>(refer to 113.1)</i>		21	82558	DECAL,SKIN INJECTION.....	1
1	28174	DECAL,POWER TO PLATFORM 230V.....	1	22	82559	DECAL,INSTRUCT-ANNUAL INSP REQ.....	1
2	28175	DECAL,COMPARTMENT ACCESS.....	1	23	82561	DECAL,DANGER-USE SAFETY ARM.....	1
3	28235	DECAL,POWER TO PLATFORM 115V.....	1	24	82703	DECAL,LABEL,WHEEL LOAD 2046.....	2
4	31508	DECAL,DANGER,ELECT HAZARD,PLUG..... <i>(ANSI models)</i>	1	25	114385	DECAL,DANGER,ELEC HAZARD,GS.....	1
5	43619	DECAL,LABEL,SAFETY ARM.....	1	26	133276	DECAL,EMERGENCY LOWERING.....	1
6	43658	DECAL,LABEL,PWR TO CHARGR 230V..... <i>(ANSI models)</i>	1	27	T107031	DECAL,OP INST,GCON.....	1
7	44255	DECAL,DANGER,CRUSHING HAZARD.....	2	28	T112804	DECAL,GCON PANEL,GS.....	1
8	44737	DECAL,DANGER,TIP-OVER,TRAYS.	1				
9	44980	DECAL,LABEL,PWR TO CHARGR 115V..... <i>(ANSI models)</i>	1				
10	44981	DECAL,LABEL,AIRLINE 110 PSI..... <i>(Option)</i>	1				
11	46287	DECAL,LABEL-TIRE SPECS.....	2				
12	52475	DECAL,LABEL,TRANSPORT TIEDOWN*.....	1				
13	72086	DECAL,LABEL,LIFTING EYE.....	1				
14	72143	DECAL,EMERGENCY STOP,GR.....	1				
15	72853	DECAL,DANGER,IMPROPER USE HAZ.....	1				
16	72998	DECAL,LABEL,QUINTOLUBRIK..... <i>(models with Quintolub hydraulic oil)</i>	1				
17	72999	DECAL,LABEL,PETRO CANADA*** <i>(For models with Petro Canada hydraulic oil only)</i>	1				
18	82160	DECAL,LABEL,STATOIL HYDRA WAY..... <i>(For models with Statoil hydraulic oil only)</i>	1				
19	82161	DECAL,LABEL,UCON HYDROLUBE..... <i>(For models with Ucon Hydrolube hydraulic oil only)</i>	1				
20	82366	DECAL,CHEVRON RANDO HD..... <i>(For models with Chevron Rando hydraulic oil only)</i>	1				



115.1 Word Decals, GS-2046, Platform, ANSI

Platform, ANSI models

NOTE:
Part numbers with "(FR)"
indicates French translation
is available



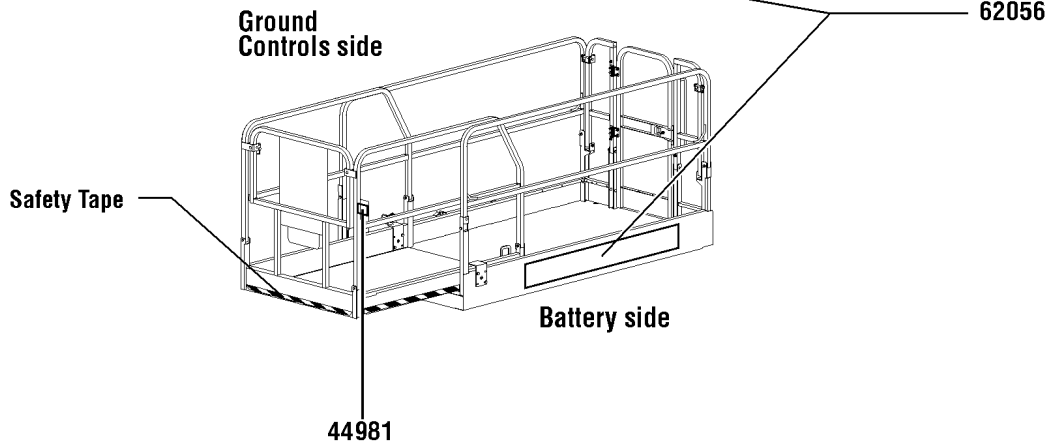
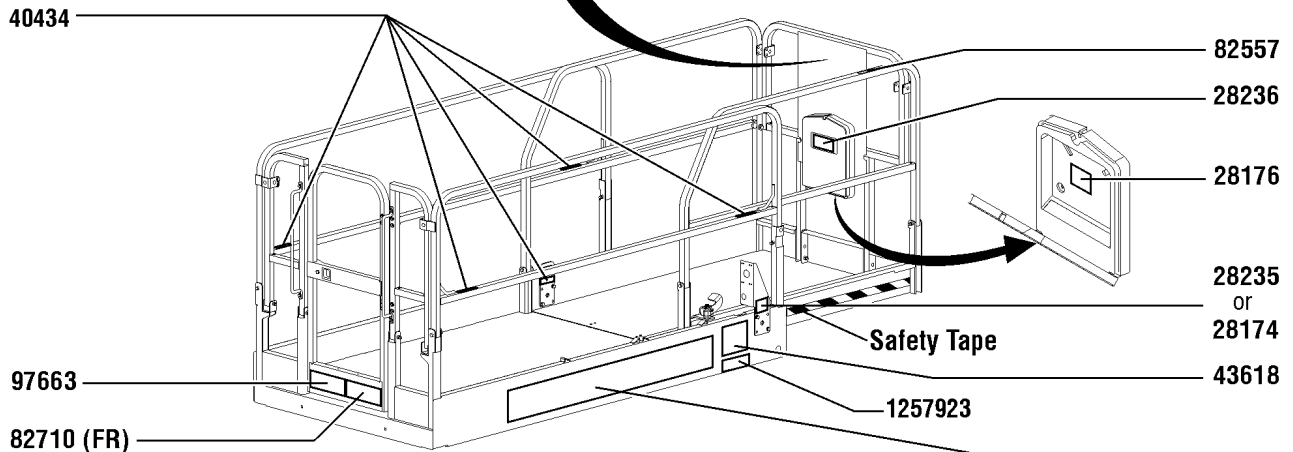
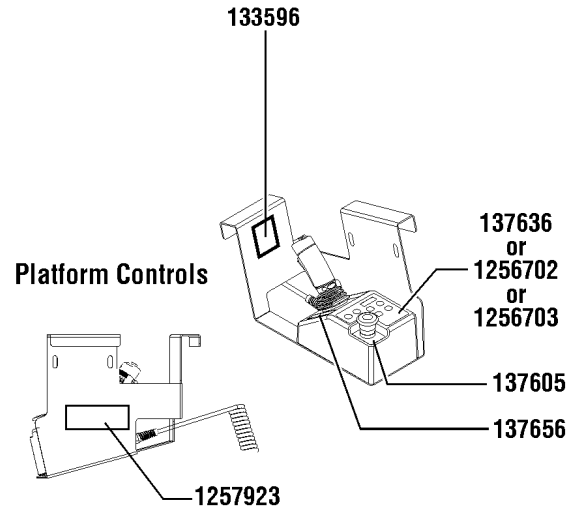
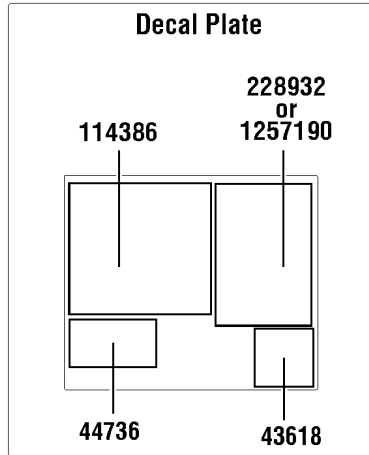
115.1 Word Decals, GS-2046, Platform, ANSI

Item	Part No.	Description	Qty.	Item	Part No.	Description	Qty.
--		REF: Word Decal Kits <i>(refer to 113.1)</i>		21	1257188	DECAL,OP INST,PLAT,GS46 ANSI.....1 <i>(models with 4 button, proportional controller)</i>	1
1	28174	DECAL,POWER TO PLATFORM 230V.....1	1	22	1257923	DECAL, SMARTLINK PROPORTIONAL.....2 <i>(models with 4 button, proportional controller, and units converted from 6 button, 2 speed lift to 4 button, proportional controller)</i>	2
2	28176	DECAL,LABEL,MANUAL NOT HERE.....1	1				
3	28235	DECAL,POWER TO PLATFORM 115V.....1	1				
4	28236	DECAL,WARN,IMPROPER OPERATION.....1	1				
5	40434	DECAL,LANYARD ANCHORAGE POINT.....5	5				
6	43618	DECAL,LABEL-DIRECTION ARROWS.....2	2				
7	44736	DECAL,DANGER,TIP-OVER,TILT....1	1				
8	44981	DECAL,LABEL,AIRLINE 110 PSI....1 <i>(Option)</i>	1				
9	62056	DECAL,COSMETIC,GENIE GS-2046**.....2	2				
10	82557	DECAL,LABEL,PLAT CONT LOCATION.....1	1				
11	82710	DECAL,INSTR-MAX CAP 1200LBS.....1 GS-2046	1				
12	82728	DECAL,INSTR-SIDE FRC,ANSI 2046.....1	1				
13	114386	DECAL,DANGER-GEN SAFETY....1	1				
14	133596	DECAL,LABEL,FAULT CODES.....1	1				
15	137605	DECAL,E-STOP,GR/GRC/GS PCON.....1	1				
16	137636	UI, GR/GRC/GS PCON DECAL.....1 <i>(models with 6 button, 2 speed controller) to SN GS4614A-134999 and to SN GS4614C-13999</i>	1				
17	137656	DECAL,PROPEL,GR/GRC/GS,PCON.1	1				
18	228931	DECAL,INSTRUCTIONS,OPER,GS46.1 <i>(models with 6 button, 2 speed controller) to SN GS4614A-134999 and to SN GS4614C-13999</i>	1				
19	1256702	DECAL, UI, GS/GR, PROP LIFT.....1 <i>(models with 4 button, proportional controller)</i>	1				
20	1256703	DECAL, STD, PROP LIFT, UI, SVC.....1 <i>(units converted from 6 button, 2 speed lift to 4 button, proportional controller)</i>	1				



Platform, Australia models

NOTE:
Part numbers with "(FR)"
indicates French translation
is available



116.1 Word Decals, GS-2046, Platform, Australia

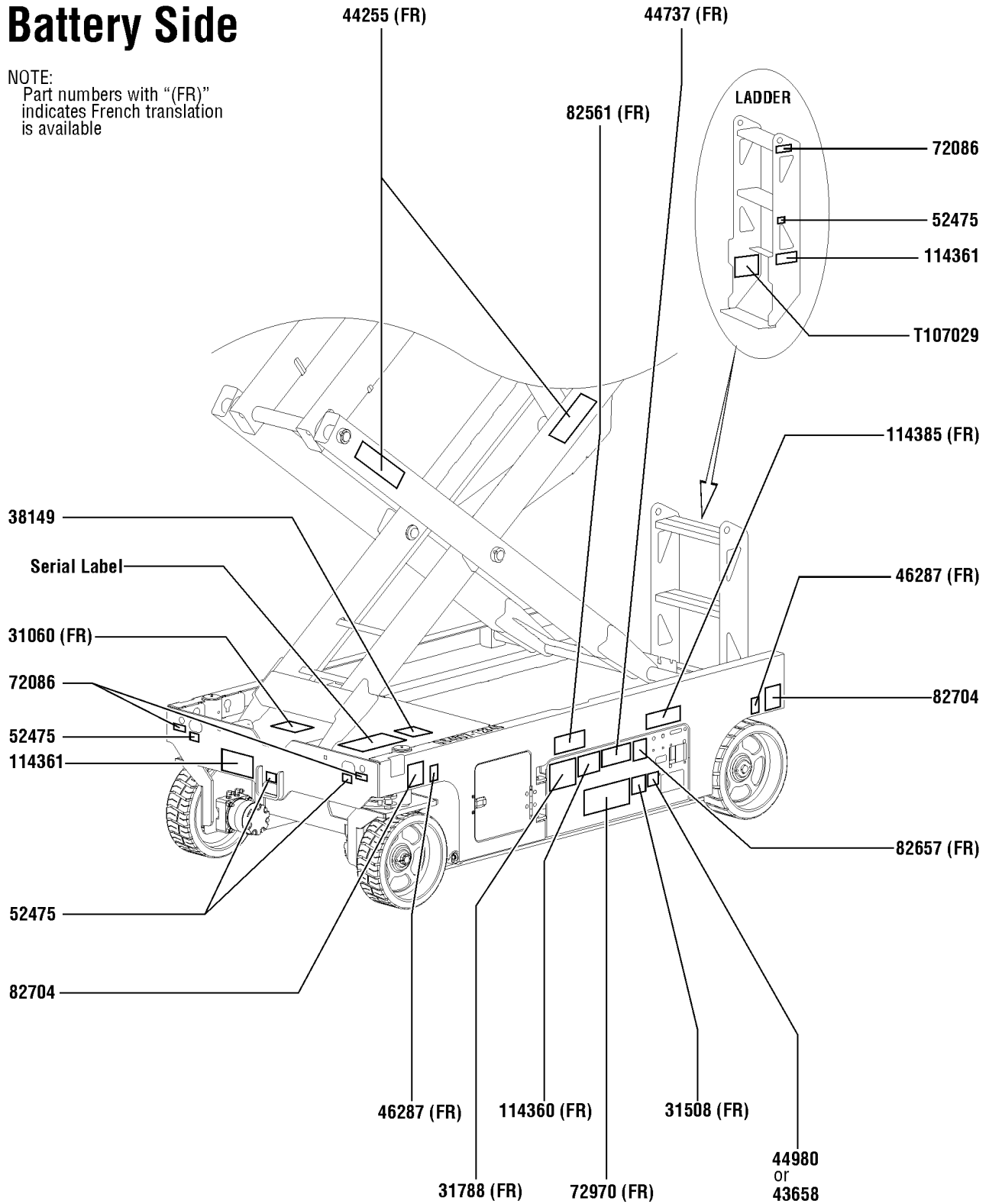
Item	Part No.	Description	Qty.	Item	Part No.	Description	Qty.
--		REF: Word Decal Kits <i>(refer to 113.1)</i>		22	1256703	DECAL, STD, PROP LIFT, UI, SVC.....1 <i>(units converted from 6 button, 2 speed lift to 4 button, proportional controller)</i>	1
1	28174	DECAL,POWER TO PLATFORM 230V.....1	1	22	1257923	DECAL, SMARTLINK PROPORTIONAL.....2 <i>(models with 4 button, proportional controller, and units converted from 6 button, 2 speed lift to 4 button, proportional controller)</i>	2
2	28176	DECAL,LABEL,MANUAL NOT HERE.....1	1				
3	28235	DECAL,POWER TO PLATFORM 115V.....1	1				
4	28236	DECAL,WARN,IMPROPER OPERATION.....1	1				
5	40434	DECAL,LANYARD ANCHORAGE POINT.....5	5				
6	43618	DECAL,LABEL-DIRECTION ARROWS.....2	2				
7	44736	DECAL,DANGER,TIP-OVER,TILT....1	1				
8	44981	DECAL,LABEL,AIRLINE 110 PSI....1 <i>(Option)</i>	1				
9	62056	DECAL,COSMETIC,GENIE GS-2046**.....2	2				
10	82557	DECAL,LABEL,PLAT CONT LOCATION.....1	1				
11	82710	DECAL,INSTR-MAX CAP 1200LBS.....1 GS-2046	1				
12	97663	DECAL,INSTR-MANUALFRC,AUS 400N.....1 GS-2046	1				
13	114386	DECAL,DANGER-GEN SAFETY.....1	1				
14	133596	DECAL,LABEL,FAULT CODES.....1	1				
15	137605	DECAL,E-STOP,GR/GRC/GS PCON.....1	1				
16	137636	UI, GR/GRC/GS PCON DECAL.....1 <i>(models with 6 button, 2 speed controller) to SN GS4614A-134999 and to SN GS4614C-13999</i>	1				
17	137656	DECAL,PROPEL,GR/GRC/GS,PCON.1	1				
18	228932	DECAL,OP INST,AUS,GS-46.....1 <i>(models with 6 button, 2 speed controller) to SN GS4614A-134999 and to SN GS4614C-13999</i>	1				
19	1256702	DECAL, UI, GS/GR, PROP LIFT.....1 <i>(models with 4 button, proportional controller)</i>	1				
21	1257190	DECAL,OP INST,PLAT,GS46,AUS.....1 <i>(models with 4 button, proportional controller)</i>	1				



117.1 Word Decals, GS-2646, Battery Side, ANSI & Australia

Battery Side

NOTE:
Part numbers with "(FR)"
indicates French translation
is available



117.1 Word Decals, GS-2646, Battery Side, ANSI & Australia

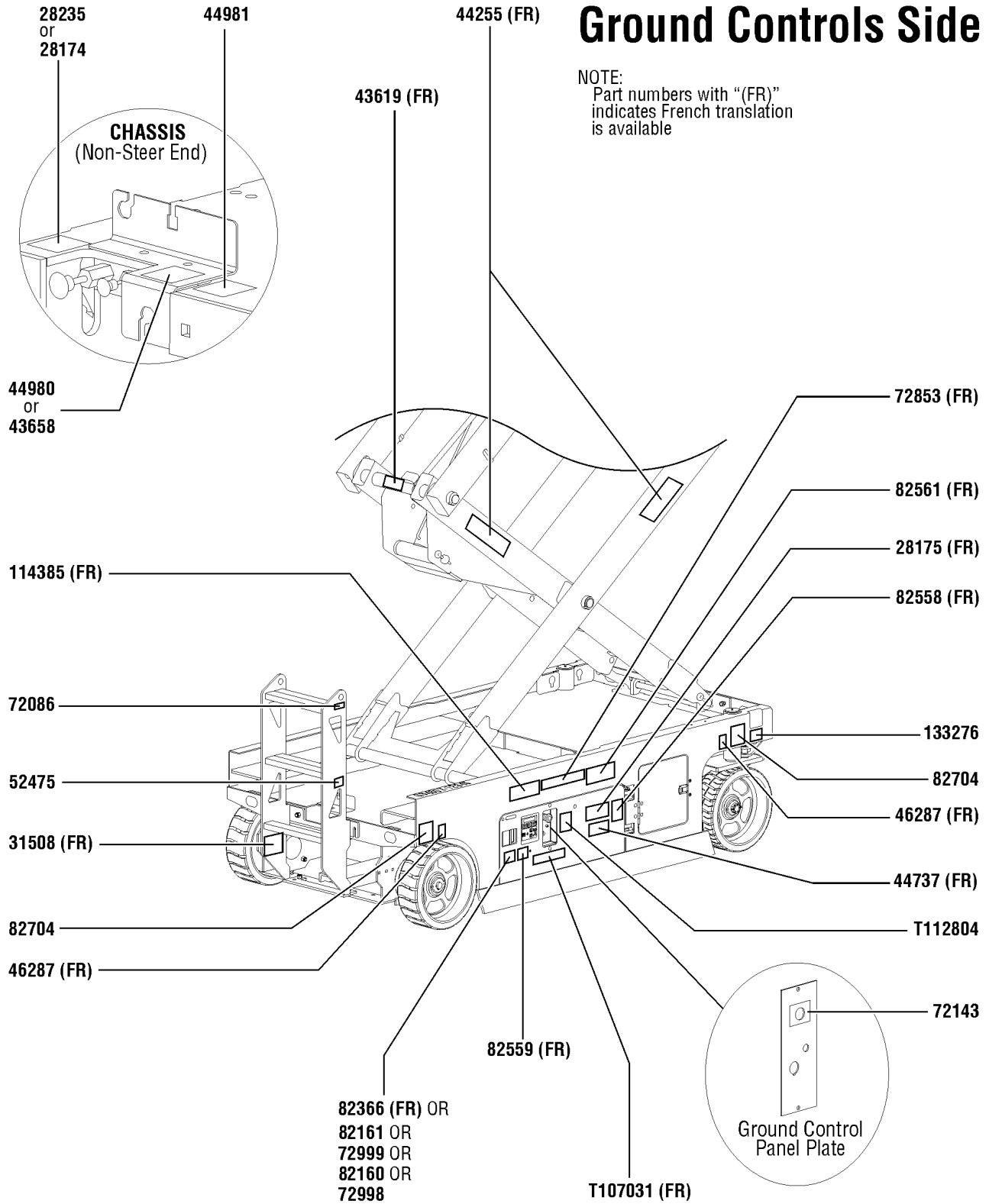
Item	Part No.	Description	Qty.	Item	Part No.	Description	Qty.
A	217259	DECAL KIT,2646 PLAT.,WRD,ANSI (ANSI models with 2 speed controller) to SN GS4614A-134999 and to SN GS4614C-13999		17	114361	DECAL,LABEL-TRANSPORT DIGRAM.....	2
B	217260	DECAL KIT,2646 COMP.,WRD,ANSI (ANSI models with 2 speed controller) to SN GS4614A-134999 and to SN GS4614C-13999		18	114385	DECAL,DANGER,ELEC HAZARD,GS.....	1
C	217271	DECAL KIT,2646 PLAT.,WRD,AUST (Australia models with 2 speed controller) to SN GS4614A-134999 and to SN GS4614C-13999		19	T107029	DECAL,DANGER,BRAKE REL SAFETY.....	1
D	217272	DECAL KIT,2646COMP.,WRD,AUST (Australia models with 2 speed controller) to SN GS4614A-134999 and to SN GS4614C-13999					
1	31060	DECAL,DANGER DO NOT ALTER SWTC.....	1				
2	31508	DECAL,DANGER,ELECT HAZARD,PLUG..... (Australia models only)	1				
3	31788	DECAL,DANGER,BATTERY SAFETY***	1				
4	38149	DECAL,LABEL,PATENTS..... (Domestic units only)	1				
5	43658	DECAL,LABEL,PWR TO CHARGR 230V..... (Australia models only)	1				
6	44255	DECAL,DANGER,CRUSHING HAZARD.....	2				
7	44737	DECAL,DANGER,TIP-OVER,TRAYS.1					
8	44980	DECAL,LABEL,PWR TO CHARGR 115V..... (Australia models only)	1				
9	46287	DECAL,LABEL-TIRE SPECS.....	2				
10	52475	DECAL,LABEL,TRANSPORT TIEDOWN*	4				
11	72086	DECAL,LABEL,LIFTING EYE.....	3				
12	72970	DECAL,INSTRUCTIONS-CHARGER OP.....	1				
13	82561	DECAL,DANGER-USE SAFETY ARM.....	1				
14	82657	DECAL,INSTRUCT,BATTERY CONNECT.....	1				
15	82704	DECAL,LABEL,WHEEL LOAD 2646.....	2				
16	114360	DECAL,DANGER-TIP-OVER,BATT..1					



118.1 Word Decals, GS-2646, Ground Control Side, ANSI and Australia

Ground Controls Side

NOTE:
Part numbers with "(FR)" indicates French translation is available



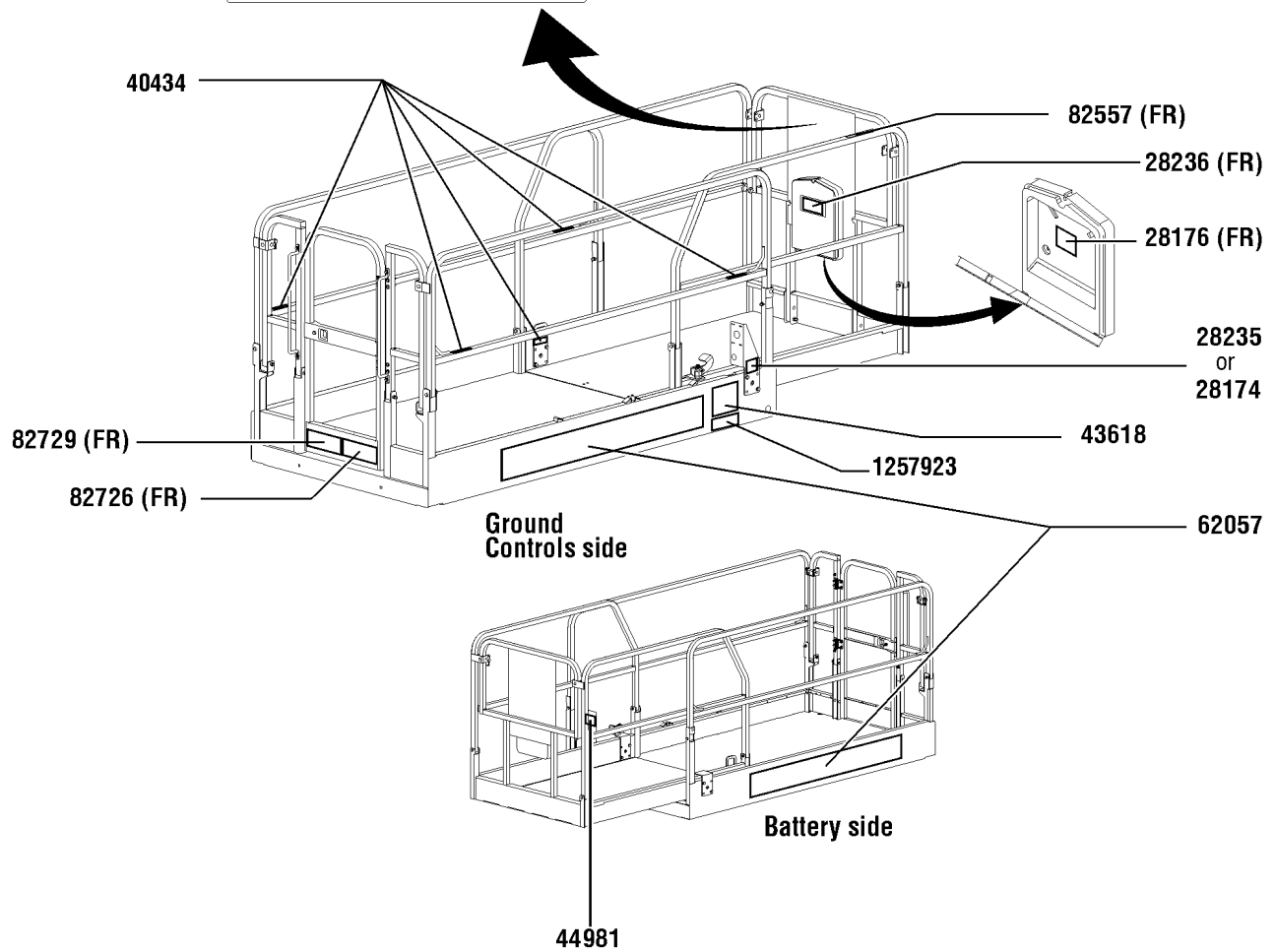
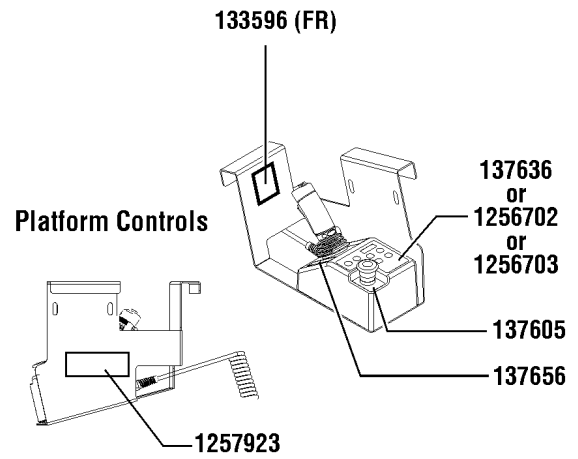
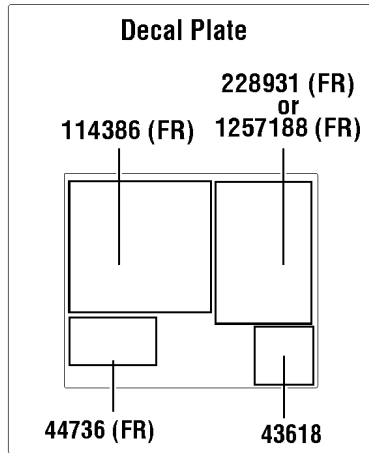
118.1 Word Decals, GS-2646, Ground Control Side, ANSI and Australia

Item	Part No.	Description	Qty.	Item	Part No.	Description	Qty.
--		REF: Word Decal Kits <i>(refer to 117.1)</i>		21	82558	DECAL,SKIN INJECTION.....	1
1	28174	DECAL,POWER TO PLATFORM 230V.....	1	22	82559	DECAL,INSTRUCT-ANNUAL INSP REQ.....	1
2	28175	DECAL,COMPARTMENT ACCESS.....	1	23	82561	DECAL,DANGER-USE SAFETY ARM.....	1
3	28235	DECAL,POWER TO PLATFORM 115V.....	1	24	82704	DECAL,LABEL,WHEEL LOAD 2646.....	2
4	31508	DECAL,DANGER,ELECT HAZARD,PLUG..... <i>(ANSI models only)</i>	1	25	114385	DECAL,DANGER,ELEC HAZARD,GS.....	1
5	43619	DECAL,LABEL,SAFETY ARM.....	1	26	133276	DECAL,EMERGENCY LOWERING.....	1
6	43658	DECAL,LABEL,PWR TO CHARGR 230V..... <i>(ANSI models only)</i>	1	27	T107031	DECAL,OP INST,GCON.....	1
7	44255	DECAL,DANGER,CRUSHING HAZARD.....	2	28	T112804	DECAL,GCON PANEL,GS.....	1
8	44737	DECAL,DANGER,TIP-OVER,TRAYS.	1				
9	44980	DECAL,LABEL,PWR TO CHARGR 115V..... <i>(ANSI models only)</i>	1				
10	44981	DECAL,LABEL,AIRLINE 110 PSI..... <i>(Option)</i>	1				
11	46287	DECAL,LABEL-TIRE SPECS.....	2				
12	52475	DECAL,LABEL,TRANSPORT TIEDOWN*.....	1				
13	72086	DECAL,LABEL,LIFTING EYE.....	1				
14	72143	DECAL,EMERGENCY STOP,GR.....	1				
15	72853	DECAL,DANGER,IMPROPER USE HAZ.....	1				
16	72998	DECAL,LABEL,QUINTOLUBRIK..... <i>(models with Quintolub hydraulic oil)</i>	1				
17	72999	DECAL,LABEL,PETRO CANADA*** <i>(For models with Petro Canada hydraulic oil only)</i>	1				
18	82160	DECAL,LABEL,STATOIL HYDRA WAY..... <i>(For models with Statoil hydraulic oil only)</i>	1				
19	82161	DECAL,LABEL,UCON HYDROLUBE..... <i>(For models with Ucon Hydrolube hydraulic oil only)</i>	1				
20	82366	DECAL,CHEVRON RANDO HD..... <i>(For models with Chevron Rando hydraulic oil only)</i>	1				



Platform, ANSI models

NOTE:
Part numbers with "(FR)" indicates French translation is available



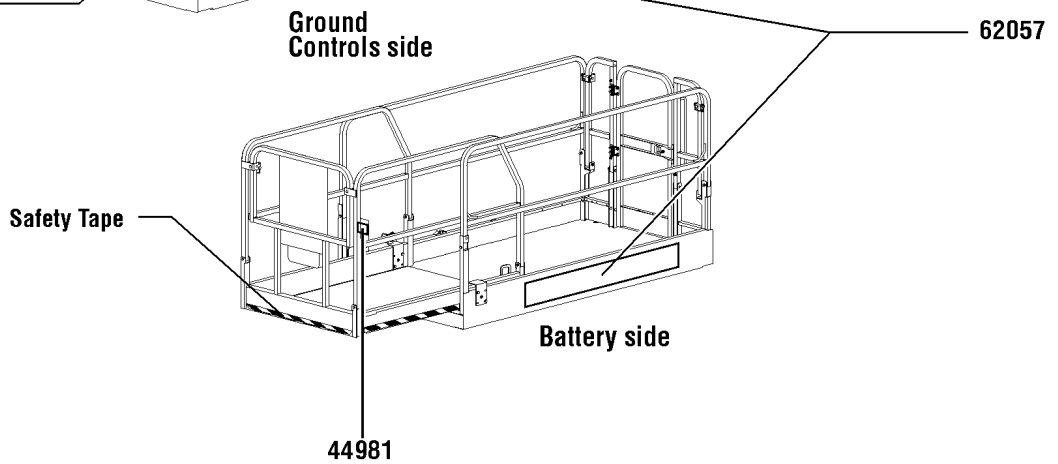
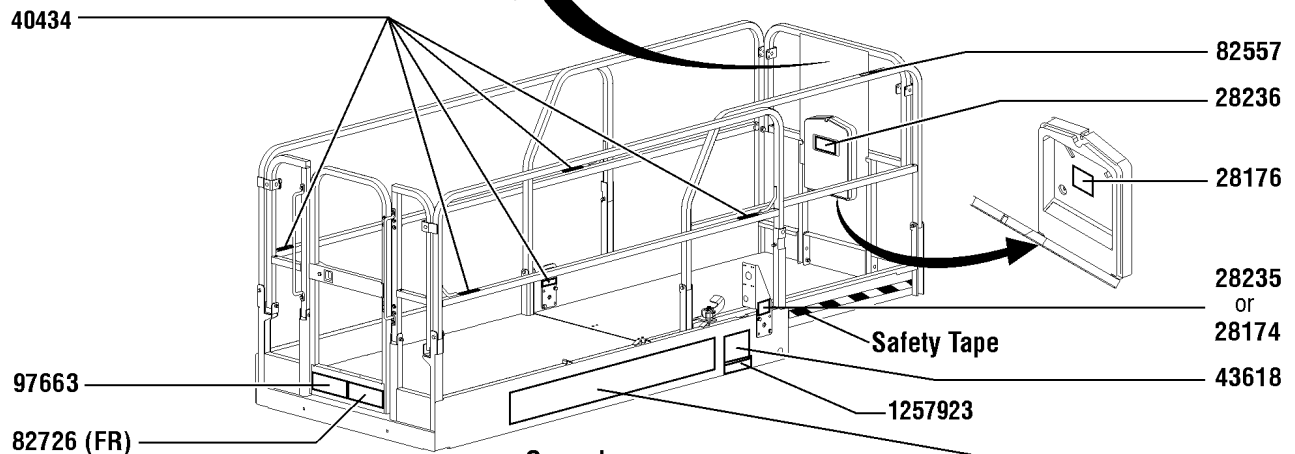
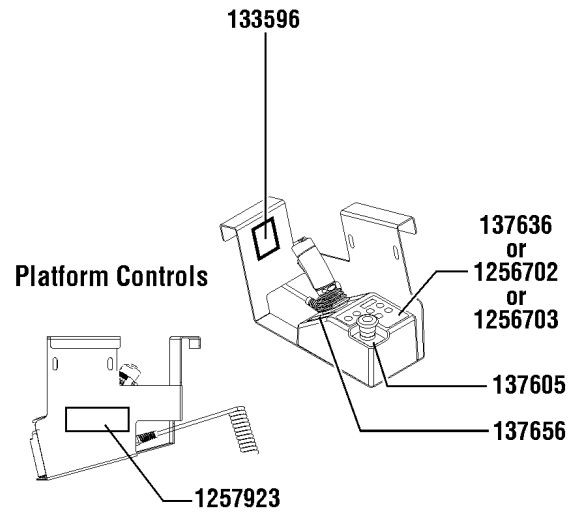
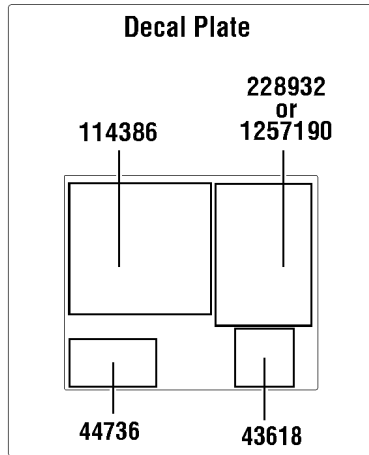
119.1 Word Decals, GS-2646, Platform, ANSI

Item	Part No.	Description	Qty.	Item	Part No.	Description	Qty.
--		REF: Word Decal Kits <i>(refer to 117.1)</i>		21	1257188	DECAL,OP INST,PLAT,GS46 ANSI.....1 <i>(models with 4 button, proportional controller)</i>	1
1	28174	DECAL,POWER TO PLATFORM 230V.....1	1	22	1257923	DECAL, SMARTLINK PROPORTIONAL.....2 <i>(models with 4 button, proportional controller, and units converted from 6 button, 2 speed lift to 4 button, proportional controller)</i>	2
2	28176	DECAL,LABEL,MANUAL NOT HERE.....1	1				
3	28235	DECAL,POWER TO PLATFORM 115V.....1	1				
4	28236	DECAL,WARN,IMPROPER OPERATION.....1	1				
5	40434	DECAL,LANYARD ANCHORAGE POINT.....5	5				
6	43618	DECAL,LABEL-DIRECTION ARROWS.....2	2				
7	44736	DECAL,DANGER,TIP-OVER,TILT....1	1				
8	44981	DECAL,LABEL,AIRLINE 110 PSI....1 <i>(Option)</i>	1				
9	62057	DECAL,COSMETIC,GENIE GS-2646.....2	2				
10	82557	DECAL,LABEL,PLAT CONT LOCATION.....1	1				
11	82726	DECAL,INSTRUCT,MAXCAP1000LBS.1 GS-2646	1				
12	82729	NOTICE,SIDE FRC ANSI2646.....1	1				
13	114386	DECAL,DANGER-GEN SAFETY.....1	1				
14	133596	DECAL,LABEL,FAULT CODES.....1	1				
15	137605	DECAL,E-STOP,GR/GRC/GS PCON.....1	1				
16	137636	UI, GR/GRC/GS PCON DECAL.....1 <i>(models with 6 button, 2 speed controller) to SN GS4614A-134999 and to SN GS4614C-13999</i>	1				
17	137656	DECAL,PROPEL,GR/GRC/GS,PCON.1	1				
18	228931	DECAL,INSTRUCTIONS,OPER,GS46.1 <i>(models with 6 button, 2 speed controller) to SN GS4614A-134999 and to SN GS4614C-13999</i>	1				
19	1256702	DECAL, UI, GS/GR, PROP LIFT.....1 <i>(models with 4 button, proportional controller)</i>	1				
20	1256703	DECAL, STD, PROP LIFT, UI, SVC.....1 <i>(units converted from 6 button, 2 speed lift to 4 button, proportional controller)</i>	1				



Platform, Australia models

NOTE:
Part numbers with "(FR)"
indicates French translation
is available



120.1 Word Decals, GS-2646, Platform, Australia

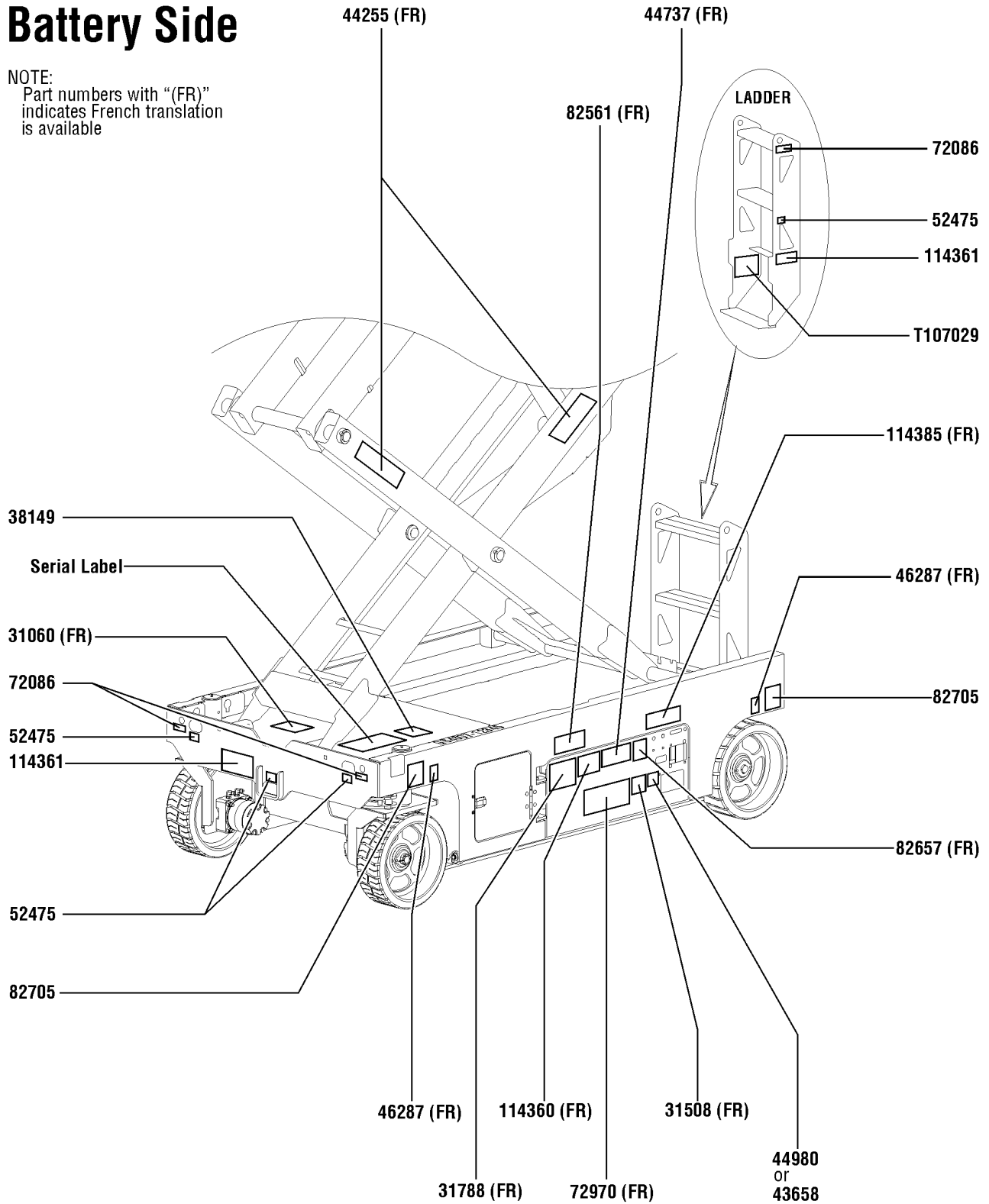
Item	Part No.	Description	Qty.	Item	Part No.	Description	Qty.
--		REF: Word Decal Kits <i>(refer to 117.1)</i>		21	1257190	DECAL,OP INST,PLAT,GS46,AUS.....1 <i>(models with 4 button, proportional controller)</i>	1
1	28174	DECAL,POWER TO PLATFORM 230V.....1	1	22	1257923	DECAL, SMARTLINK PROPORTIONAL.....2 <i>(models with 4 button, proportional controller, and units converted from 6 button, 2 speed lift to 4 button, proportional controller)</i>	2
2	28176	DECAL,LABEL,MANUAL NOT HERE.....1	1				
3	28235	DECAL,POWER TO PLATFORM 115V.....1	1				
4	28236	DECAL,WARN,IMPROPER OPERATION.....1	1				
5	40434	DECAL,LANYARD ANCHORAGE POINT.....5	5				
6	43618	DECAL,LABEL-DIRECTION ARROWS.....2	2				
7	44736	DECAL,DANGER,TIP-OVER,TILT....1	1				
8	44981	DECAL,LABEL,AIRLINE 110 PSI....1 <i>(Option)</i>	1				
9	62057	DECAL,COSMETIC,GENIE GS-2646.....2	2				
10	82557	DECAL,LABEL,PLAT CONT LOCATION.....1	1				
11	82726	DECAL,INSTRUCT,MAXCAP1000LBS.1 GS-2646	1				
12	97663	DECAL,INSTR-MANUALFRC,AUS 400N.....1 GS-2646	1				
13	114386	DECAL,DANGER-GEN SAFETY....1	1				
14	133596	DECAL,LABEL,FAULT CODES.....1	1				
15	137605	DECAL,E-STOP,GR/GRC/GS PCON.....1	1				
16	137636	UI, GR/GRC/GS PCON DECAL.....1 <i>(models with 6 button, 2 speed controller) to SN GS4614A-134999 and to SN GS4614C-13999</i>	1				
17	137656	DECAL,PROPEL,GR/GRC/GS,PCON.1	1				
18	228932	DECAL,OP INST,AUS,GS-46.....1 <i>(models with 6 button, 2 speed controller) to SN GS4614A-134999 and to SN GS4614C-13999</i>	1				
19	1256702	DECAL, UI, GS/GR, PROP LIFT....1 <i>(models with 4 button, proportional controller)</i>	1				
20	1256703	DECAL, STD, PROP LIFT, UI, SVC.....1 <i>(units converted from 6 button, 2 speed lift to 4 button, proportional controller)</i>	1				



121.1 Word Decals, GS-3246, Battery Side, ANSI & Australia

Battery Side

NOTE:
Part numbers with "(FR)"
indicates French translation
is available



121.1 Word Decals, GS-3246, Battery Side, ANSI & Australia

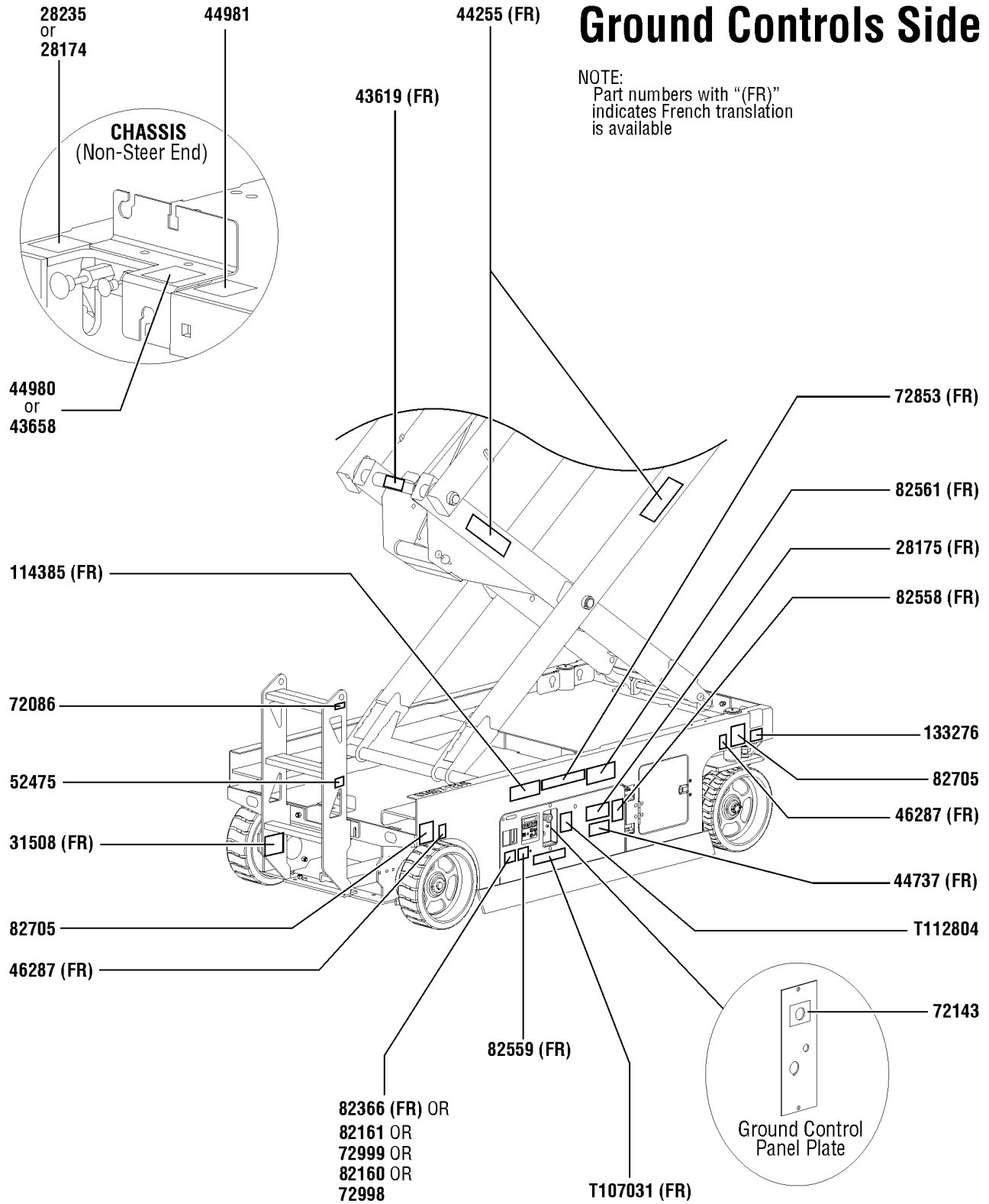
Item	Part No.	Description	Qty.	Item	Part No.	Description	Qty.
A	217261	DECAL KIT,3246 PLAT.,WRD,ANSI (ANSI models with 2 speed controller) to SN GS4614A-134999 and to SN GS4614C-13999		17	114361	DECAL,LABEL-TRANSPORT DIGRAM.....	2
B	217262	DECAL KIT,3246 COMP.,WRD,ANSI (ANSI models with 2 speed controller) to SN GS4614A-134999 and to SN GS4614C-13999		18	114385	DECAL,DANGER,ELEC HAZARD,GS.....	1
C	217273	DECAL KIT,3246 PLAT.,WRD,AUST (Australia models with 2 speed controller) to SN GS4614A-134999 and to SN GS4614C-13999		19	T107029	DECAL,DANGER,BRAKE REL SAFETY.....	1
D	217274	DECAL KIT,3246 COMP.,WRD,AUST (Australia models with 2 speed controller) to SN GS4614A-134999 and to SN GS4614C-13999					
1	31060	DECAL,DANGER DO NOT ALTER SWTC.....	1				
2	31508	DECAL,DANGER,ELECT HAZARD,PLUG..... (Australia models only)	1				
3	31788	DECAL,DANGER,BATTERY SAFETY***	1				
4	38149	DECAL,LABEL,PATENTS..... (Domestic units only)	1				
5	43658	DECAL,LABEL,PWR TO CHARGR 230V..... (Australia models only)	1				
6	44255	DECAL,DANGER,CRUSHING HAZARD.....	2				
7	44737	DECAL,DANGER,TIP-OVER,TRAYS.	1				
8	44980	DECAL,LABEL,PWR TO CHARGR 115V..... (Australia models only)	1				
9	46287	DECAL,LABEL-TIRE SPECS.....	2				
10	52475	DECAL,LABEL,TRANSPORT TIEDOWN*	4				
11	72086	DECAL,LABEL,LIFTING EYE.....	3				
12	72970	DECAL,INSTRUCTIONS-CHARGER OP.....	1				
13	82561	DECAL,DANGER-USE SAFETY ARM.....	1				
14	82657	DECAL,INSTRUCT,BATTERY CONNECT.....	1				
15	82705	DECAL,LABEL,WHEEL LOAD 3246.....	2				
16	114360	DECAL,DANGER-TIP-OVER,BATT..	1				



122.1 Word Decals, GS-3246, Ground Control Side, ANSI and Australia

Ground Controls Side

NOTE:
Part numbers with "(FR)" indicates French translation is available



122.1 Word Decals, GS-3246, Ground Control Side, ANSI and Australia

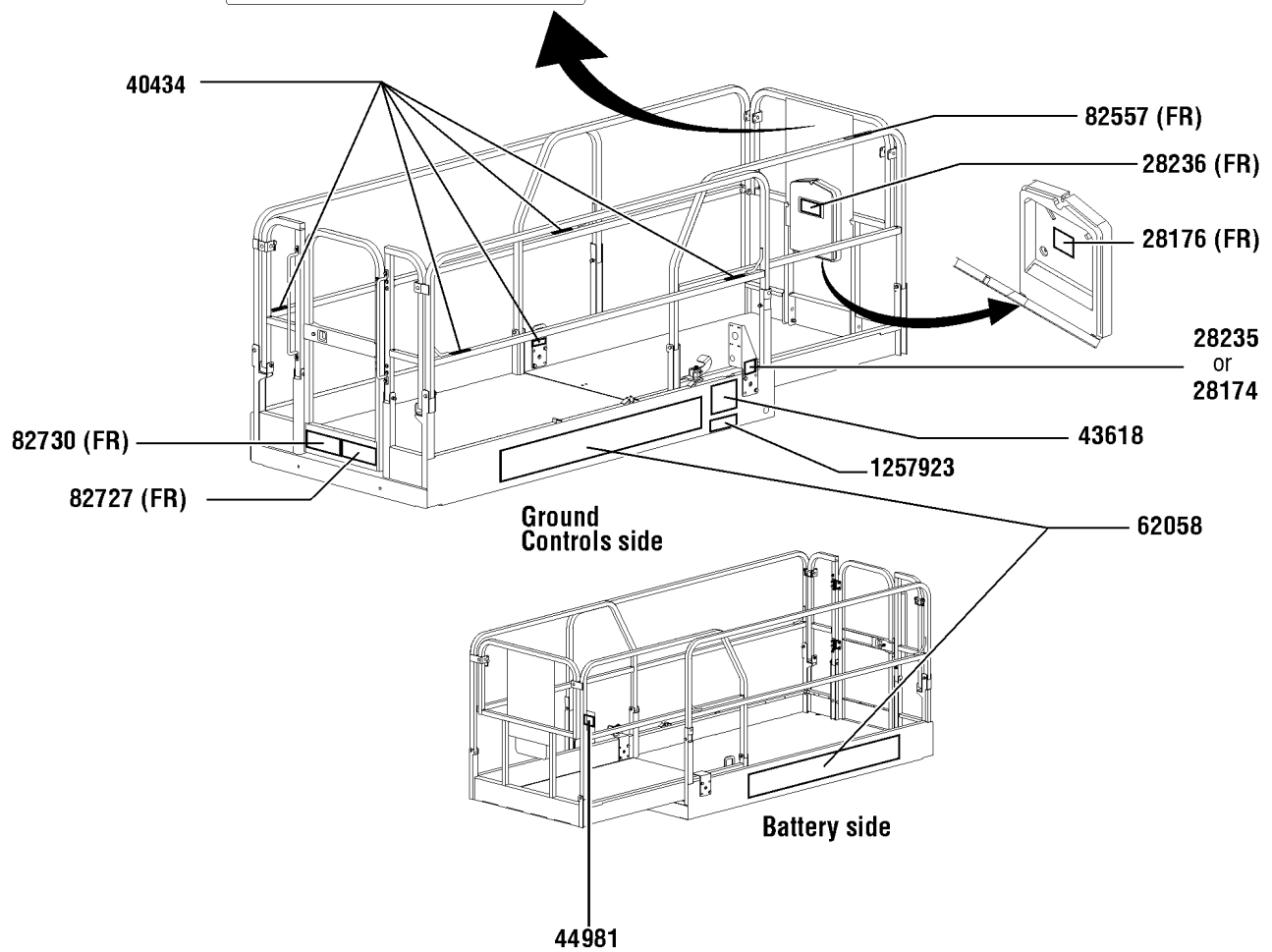
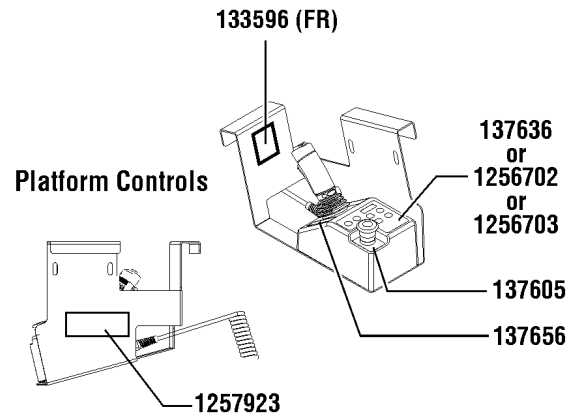
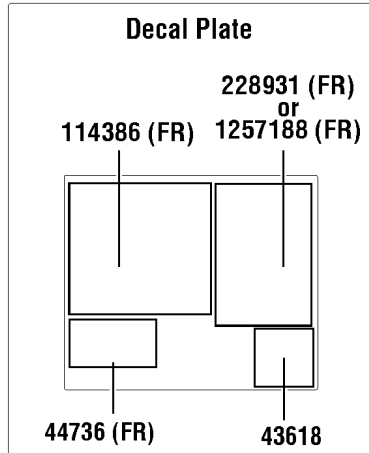
Item	Part No.	Description	Qty.	Item	Part No.	Description	Qty.
--		REF: Word Decal Kits <i>(refer to 121.1)</i>		21	82558	DECAL,SKIN INJECTION.....	1
1	28174	DECAL,POWER TO PLATFORM 230V.....	1	22	82559	DECAL,INSTRUCT-ANNUAL INSP REQ.....	1
2	28175	DECAL,COMPARTMENT ACCESS.....	1	23	82561	DECAL,DANGER-USE SAFETY ARM.....	1
3	28235	DECAL,POWER TO PLATFORM 115V.....	1	24	82705	DECAL,LABEL,WHEEL LOAD 3246.....	2
4	31508	DECAL,DANGER,ELECT HAZARD,PLUG..... <i>(ANSI models)</i>	1	25	114385	DECAL,DANGER,ELEC HAZARD,GS.....	1
5	43619	DECAL,LABEL,SAFETY ARM.....	1	26	133276	DECAL,EMERGENCY LOWERING.....	1
6	43658	DECAL,LABEL,PWR TO CHARGR 230V..... <i>(ANSI models)</i>	1	27	T107031	DECAL,OP INST,GCON.....	1
7	44255	DECAL,DANGER,CRUSHING HAZARD.....	2	28	T112804	DECAL,GCON PANEL,GS.....	1
8	44737	DECAL,DANGER,TIP-OVER,TRAYS.	1				
9	44980	DECAL,LABEL,PWR TO CHARGR 115V..... <i>(ANSI models)</i>	1				
10	44981	DECAL,LABEL,AIRLINE 110 PSI..... <i>(Option)</i>	1				
11	46287	DECAL,LABEL-TIRE SPECS.....	2				
12	52475	DECAL,LABEL,TRANSPORT TIEDOWN*.....	1				
13	72086	DECAL,LABEL,LIFTING EYE.....	1				
14	72143	DECAL,EMERGENCY STOP,GR.....	1				
15	72853	DECAL,DANGER,IMPROPER USE HAZ.....	1				
16	72998	DECAL,LABEL,QUINTOLUBRIK..... <i>(models with Quintolub hydraulic oil)</i>	1				
17	72999	DECAL,LABEL,PETRO CANADA*** <i>(For models with Petro Canada hydraulic oil only)</i>	1				
18	82160	DECAL,LABEL,STATOIL HYDRA WAY..... <i>(For models with Statoil hydraulic oil only)</i>	1				
19	82161	DECAL,LABEL,UCON HYDROLUBE..... <i>(For models with Ucon Hydrolube hydraulic oil only)</i>	1				
20	82366	DECAL,CHEVRON RANDO HD..... <i>(For models with Chevron Rando hydraulic oil only)</i>	1				



123.1 Word Decals, GS-3246, Platform, ANSI

Platform, ANSI models

NOTE:
Part numbers with "(FR)"
indicates French translation
is available



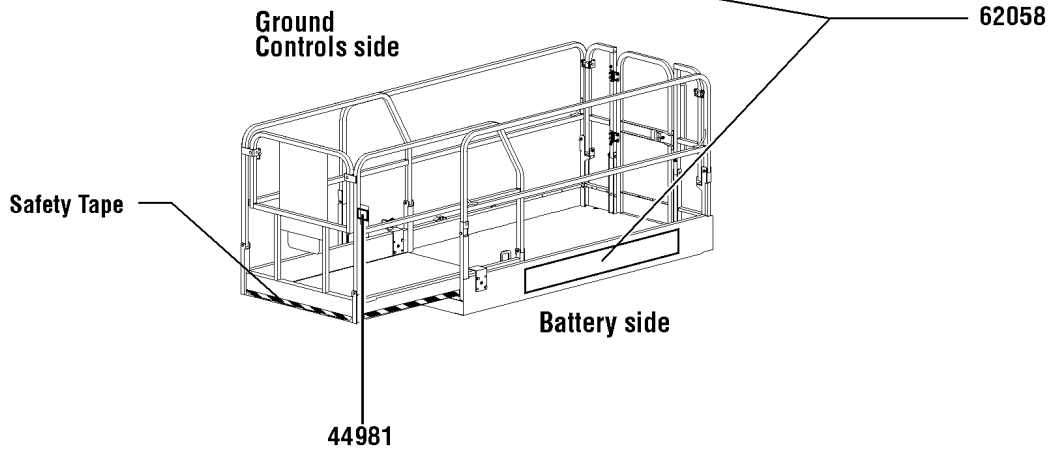
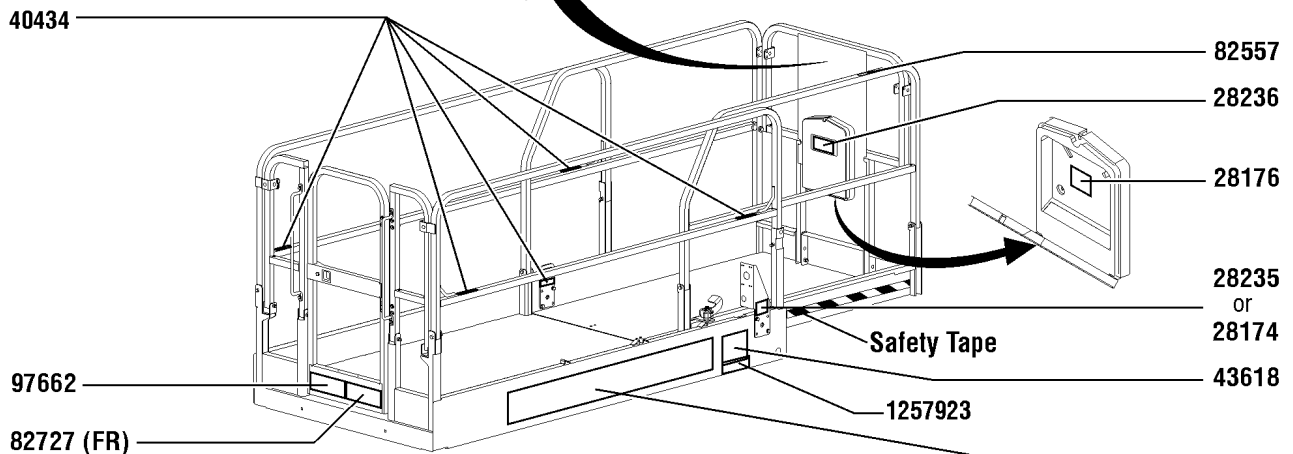
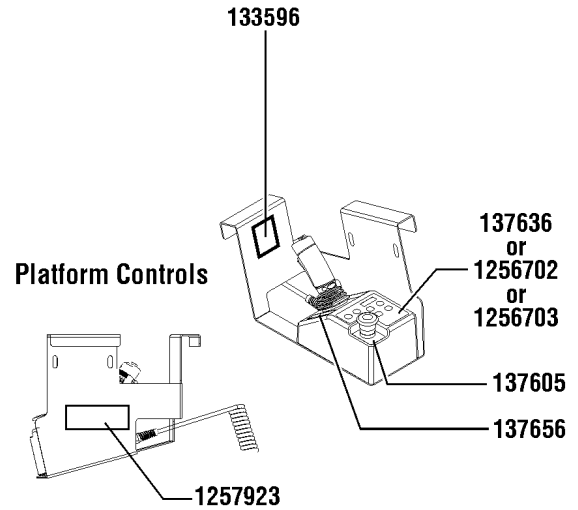
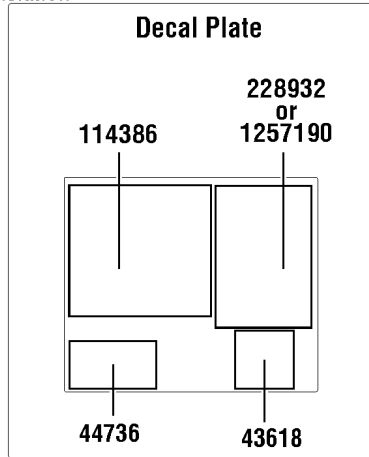
123.1 Word Decals, GS-3246, Platform, ANSI

Item	Part No.	Description	Qty.	Item	Part No.	Description	Qty.
--		REF: Word Decal Kits <i>(refer to 121.1)</i>		21	1257188	DECAL,OP INST,PLAT,GS46 ANSI.....1 <i>(models with 4 button, proportional controller)</i>	1
1	28174	DECAL,POWER TO PLATFORM 230V.....1	1	22	1257923	DECAL, SMARTLINK PROPORTIONAL.....2 <i>(models with 4 button, proportional controller, and units converted from 6 button, 2 speed lift to 4 button, proportional controller)</i>	2
2	28176	DECAL,LABEL,MANUAL NOT HERE.....1	1				
3	28235	DECAL,POWER TO PLATFORM 115V.....1	1				
4	28236	DECAL,WARN,IMPROPER OPERATION.....1	1				
5	40434	DECAL,LANYARD ANCHORAGE POINT.....5	5				
6	43618	DECAL,LABEL-DIRECTION ARROWS.....2	2				
7	44736	DECAL,DANGER,TIP-OVER,TILT....1	1				
8	44981	DECAL,LABEL,AIRLINE 110 PSI....1 <i>(Option)</i>	1				
9	62058	DECAL,COSMETIC,GENIE GS-3246.....2	2				
10	82557	DECAL,LABEL,PLAT CONT LOCATION.....1	1				
11	82727	DECAL,INSTR-MAX CAP 700LBS...1 GS-3246	1				
12	82730	DECAL,INSTR-SIDE FRC,ANSI 3246.....1	1				
13	114386	DECAL,DANGER-GEN SAFETY.....1	1				
14	133596	DECAL,LABEL,FAULT CODES.....1	1				
15	137605	DECAL,E-STOP,GR/GRC/GS PCON.....1	1				
16	137636	UI, GR/GRC/GS PCON DECAL.....1 <i>(models with 6 button, 2 speed controller) to SN GS4614A-134999 and to SN GS4614C-13999</i>	1				
17	137656	DECAL,PROPEL,GR/GRC/GS,PCON.1	1				
18	228931	DECAL,INSTRUCTIONS,OPER,GS46.1 <i>(models with 6 button, 2 speed controller) to SN GS4614A-134999 and to SN GS4614C-13999</i>	1				
19	1256702	DECAL, UI, GS/GR, PROP LIFT.....1 <i>(models with 4 button, proportional controller)</i>	1				
20	1256703	DECAL, STD, PROP LIFT, UI, SVC.....1 <i>(units converted from 6 button, 2 speed lift to 4 button, proportional controller)</i>	1				



Platform, Australia models

NOTE:
Part numbers with "(FR)"
indicates French translation
is available



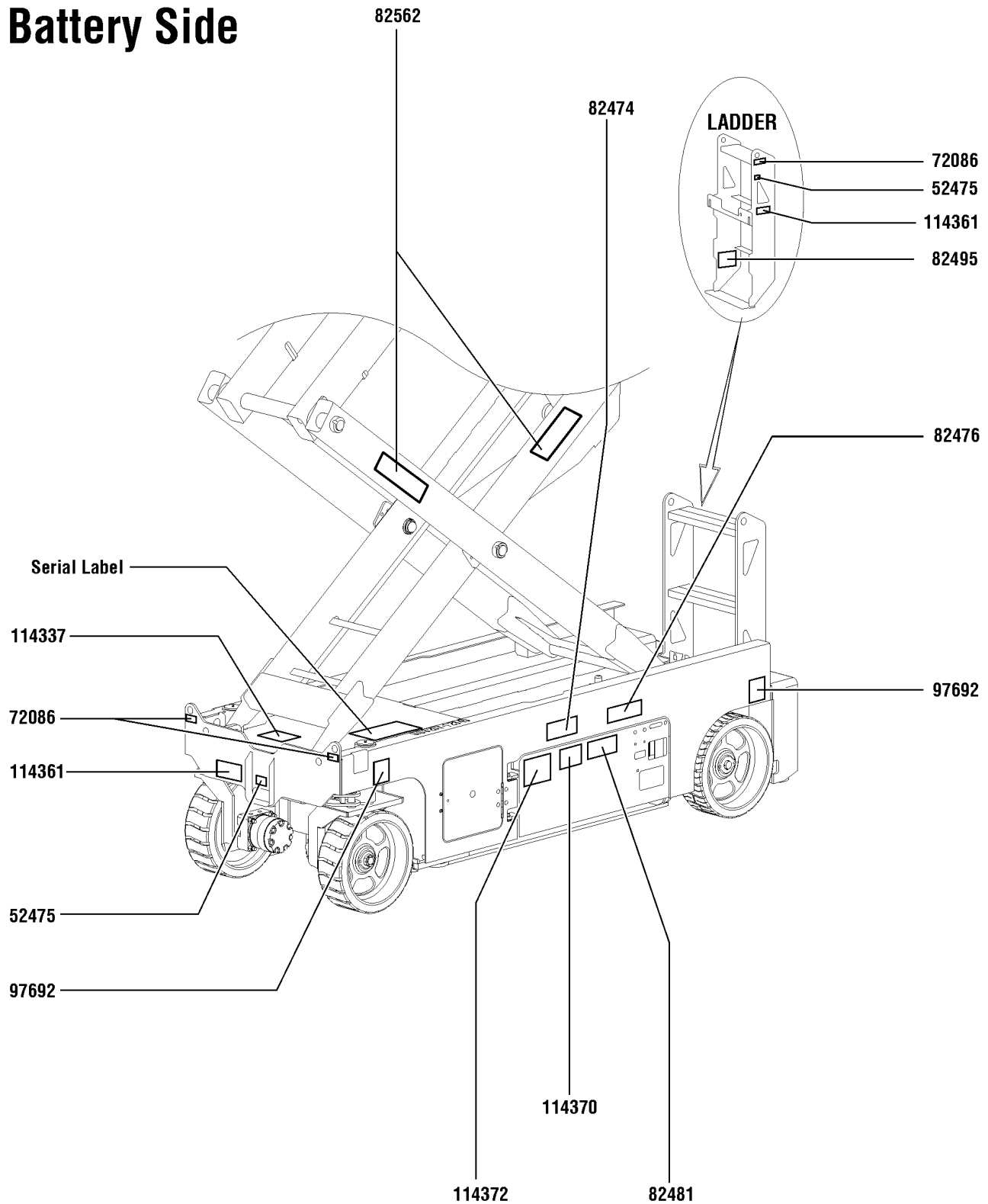
124.1 Word Decals, GS-3246, Platform, Australia

Item	Part No.	Description	Qty.	Item	Part No.	Description	Qty.
--		REF: Word Decal Kits <i>(refer to 121.1)</i>		21	1257190	DECAL,OP INST,PLAT,GS46,AUS.....1 <i>(models with 4 button, proportional controller)</i>	1
1	28174	DECAL,POWER TO PLATFORM 230V.....1	1	22	1257923	DECAL, SMARTLINK PROPORTIONAL.....2 <i>(models with 4 button, proportional controller, and units converted from 6 button, 2 speed lift to 4 button, proportional controller)</i>	2
2	28176	DECAL,LABEL,MANUAL NOT HERE.....1	1				
3	28235	DECAL,POWER TO PLATFORM 115V.....1	1				
4	28236	DECAL,WARN,IMPROPER OPERATION.....1	1				
5	40434	DECAL,LANYARD ANCHORAGE POINT.....5	5				
6	43618	DECAL,LABEL-DIRECTION ARROWS.....2	2				
7	44736	DECAL,DANGER,TIP-OVER,TILT....1	1				
8	44981	DECAL,LABEL,AIRLINE 110 PSI....1 <i>(Option)</i>	1				
9	62058	DECAL,COSMETIC,GENIE GS-3246.....1	1				
10	82557	DECAL,LABEL,PLAT CONT LOCATION.....1	1				
11	82727	DECAL,INSTR-MAX CAP 700LBS...1 GS-3246	1				
12	97662	DECAL,INSTR-MANUALFRC,AUS 3246.....1	1				
13	114386	DECAL,DANGER-GEN SAFETY.....1	1				
14	133596	DECAL,LABEL,FAULT CODES.....1	1				
15	137605	DECAL,E-STOP,GR/GRC/GS PCON.....1	1				
16	137636	UI, GR/GRC/GS PCON DECAL.....1 <i>(models with 6 button, 2 speed controller) to SN GS4614A-134999 and to SN GS4614C-13999</i>	1				
17	137656	DECAL,PROPEL,GR/GRC/GS,PCON.1	1				
18	228932	DECAL,OP INST,AUS,GS-46.....1 <i>(models with 6 button, 2 speed controller) to SN GS4614A-134999 and to SN GS4614C-13999</i>	1				
19	1256702	DECAL, UI, GS/GR, PROP LIFT.....1 <i>(models with 4 button, proportional controller)</i>	1				
20	1256703	DECAL, STD, PROP LIFT, UI, SVC.....1 <i>(units converted from 6 button, 2 speed lift to 4 button, proportional controller)</i>	1				



125.1 Symbol Decals, GS-2032, Battery Side, ANSI & CE

Battery Side

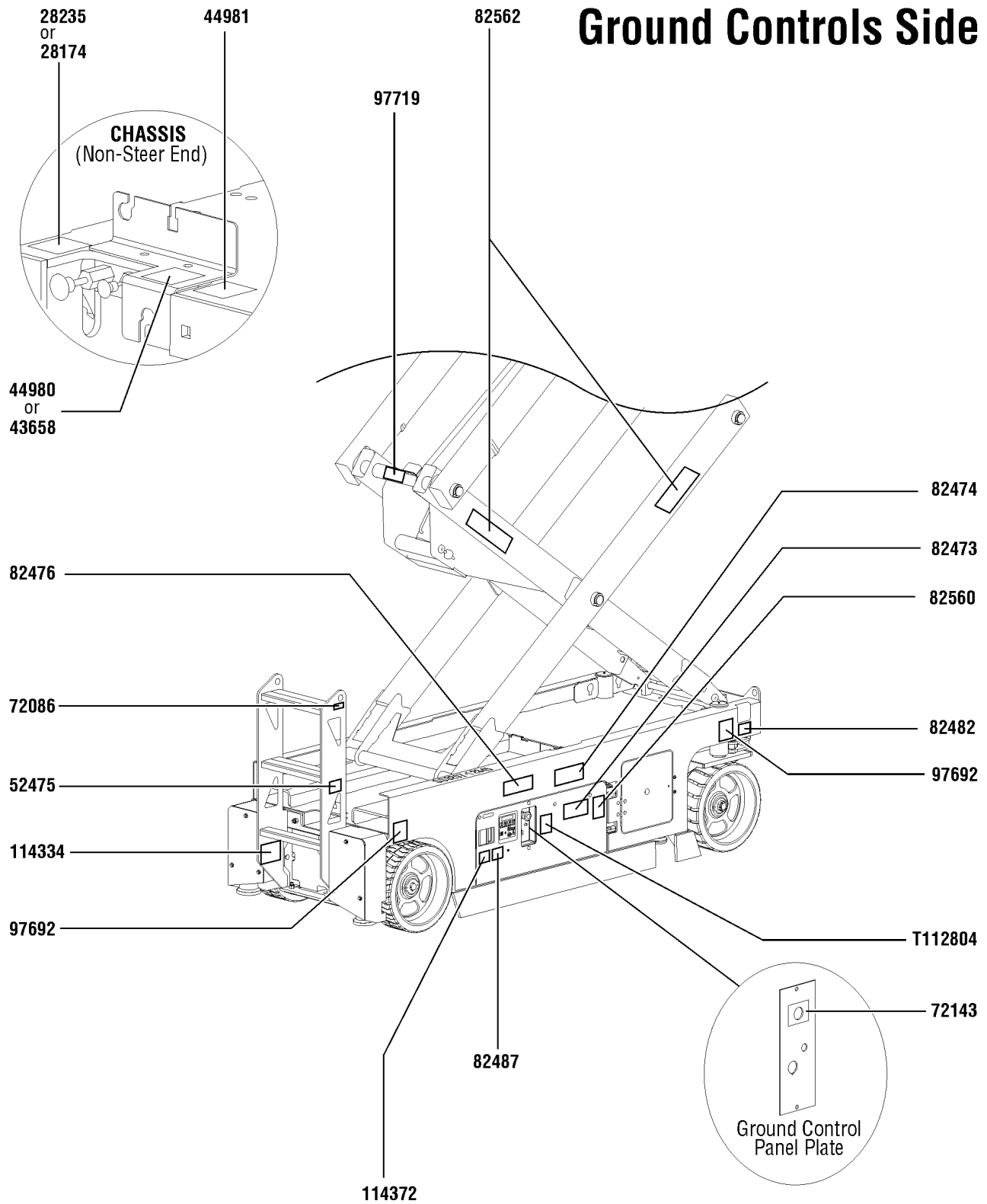


125.1 Symbol Decals, GS-2032, Battery Side, ANSI & CE

Item	Part No.	Description	Qty.
A	217275	DECAL KIT,2032 PLAT.,SYM,ANSI <i>(ANSI models with 2 speed controller)</i> to SN GS3214A-134999 and to SN GS3214C-13999	
B	217276	DECAL KIT,2032 COMP.,SYM,ANSI <i>(ANSI models with 2 speed controller)</i> to SN GS3214A-134999 and to SN GS3214C-13999	
C	217287	DECAL KIT,2032 PLAT.,SYM,CE <i>(CE models with 2 speed controller)</i> to SN GS3214A-134999 and to SN GS3214C-13999	
D	217288	DECAL KIT,2032 COMP.,SYM,CE <i>(CE models with 2 speed controller)</i> to SN GS3214A-134999 and to SN GS3214C-13999	
1	52475	DECAL,LABEL,TRANSPORT TIEDOWN*.....	2
2	72086	DECAL,LABEL,LIFTING EYE.....	3
3	82474	DECAL,SYMBOL-USE SAFETY ARM.....	1
4	82476	DECAL,SYMBOL-ELEC HAZARD,GS.....	1
5	82481	DECAL,SYMBOL-BATTERY SAFETY.....	1
6	82495	DECAL,SYMBOL-BRAKE REL SAFETY.....	1
7	82562	DECAL,SYMBOL-CRUSHING HAZARD.....	2
8	97692	DECAL,LABEL,WHEEL LOAD 2032.....	2
9	114337	DECAL,SYM-TIP-OVR,LIM SWITCH.....	1
10	114361	DECAL,LABEL-TRANSPORT DIGRAM.....	2
11	114370	DECAL-SYM-TIP-OVR,BATTRIES...1	
12	114372	DECAL,SYM-TIP-OVER,TRAYS.....1	

126.1 Symbol Decals, GS-2032, Ground Control Side, ANSI & CE

Ground Controls Side

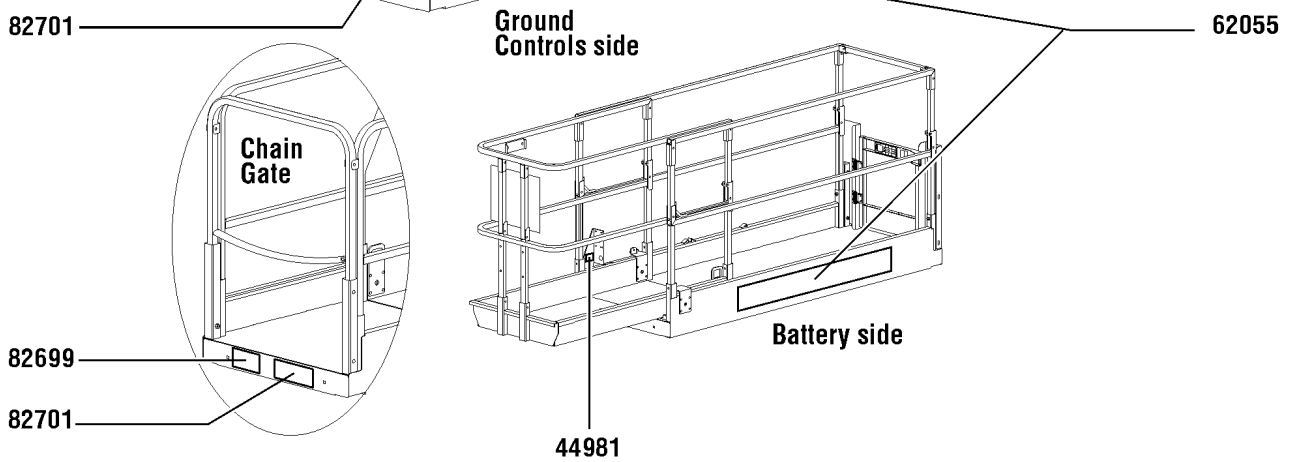
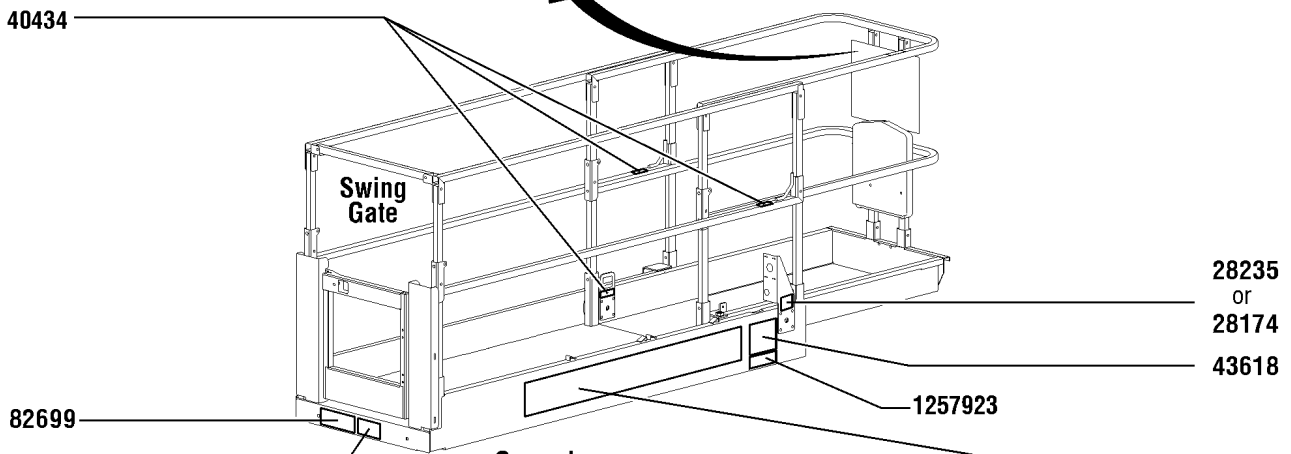
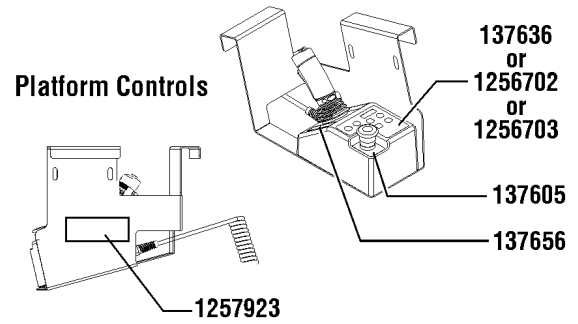
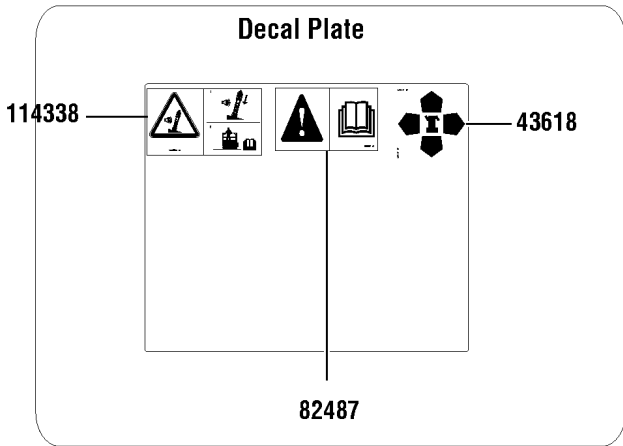


126.1 Symbol Decals, GS-2032, Ground Control Side, ANSI & CE

Item	Part No.	Description	Qty.
--		REF: Symbol Decal Kits for ANSI and CE (refer to 125.1)	
1	28174	DECAL,POWER TO PLATFORM 230V.....	1
2	28235	DECAL,POWER TO PLATFORM 115V.....	1
3	43658	DECAL,LABEL,PWR TO CHARGR 230V.....	1
4	44980	DECAL,LABEL,PWR TO CHARGR 115V.....	1
5	44981	DECAL,LABEL,AIRLINE 110 PSI..... (Option)	1
6	52475	DECAL,LABEL,TRANSPORT TIEDOWN*.....	1
7	72086	DECAL,LABEL,LIFTING EYE.....	1
8	72143	DECAL,EMERGENCY STOP,GR.....	1
9	82473	DECAL,SYMBOL-COMP ACCESS.....	1
10	82474	DECAL,SYMBOL-USE SAFETY ARM.....	1
11	82476	DECAL,SYMBOL-ELEC HAZARD,GS.....	1
12	82482	DECAL, LABEL,AUX LOWERING....	1
13	82487	DECAL,SYMBOL-READ THE MANUAL.....	1
14	82560	DECAL,SYMBOL-SKIN INJECT HAZRD.....	1
15	82562	DECAL,SYMBOL-CRUSHING HAZARD.....	2
16	97692	DECAL,LABEL,WHEEL LOAD 2032.....	2
17	97719	DECAL, LABEL, SAFETY ARM SYMB.....	1
18	114334	DECAL,SYM-ELEC HAZARD,PLUG.....	1
19	114372	DECAL,SYM-TIP-OVER,TRAYS.....	1
20	T112804	DECAL,GCON PANEL,GS.....	1

127.1 Symbol Decals, GS-2032, Platform, ANSI

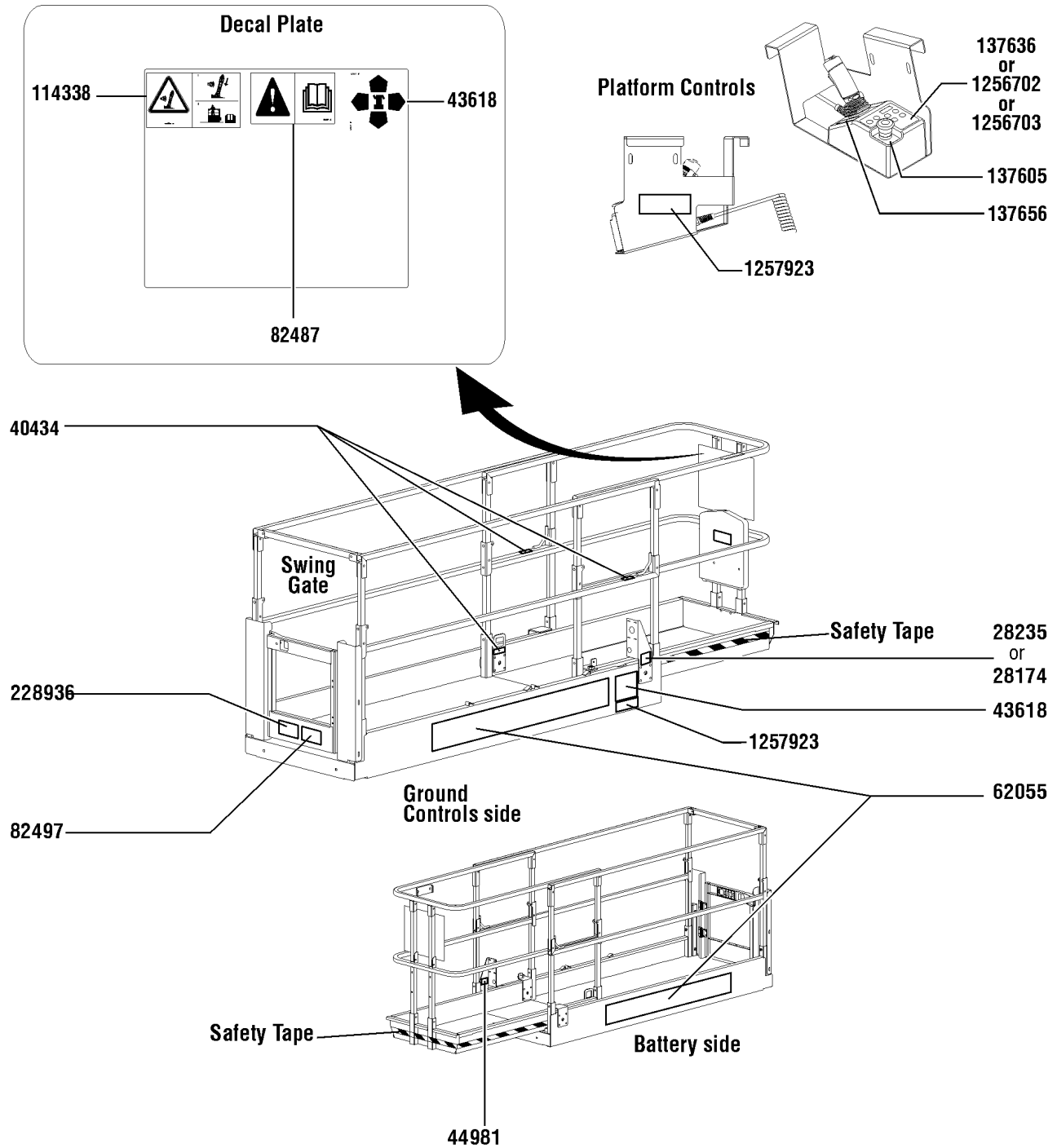
Platform, ANSI models



127.1 Symbol Decals, GS-2032, Platform, ANSI

Item	Part No.	Description	Qty.
--		REF: Symbol Decal Kits for ANSI <i>(refer to 125.1)</i>	
1	28174	DECAL,POWER TO PLATFORM 230V.....	1
2	28235	DECAL,POWER TO PLATFORM 115V.....	1
3	40434	DECAL,LANYARD ANCHORAGE POINT.....	3
4	43618	DECAL,LABEL-DIRECTION ARROWS.....	2
5	44981	DECAL,LABEL,AIRLINE 110 PSI..... <i>(Option)</i>	1
6	62055	DECAL,COSMETIC,GENIE GS-2032.....	2
7	82487	DECAL,SYMBOL-READ THE MANUAL.....	1
8	82699	DECAL,SYM-MAXCAP 800.....	1
9	82701	DECAL,SYM-SIDE FORCE 534N....	1
10	114338	DECAL,SYM-TIP-OVR,TILT ALARM.....	1
11	137605	DECAL,E-STOP,GR/GRC/GS PCON.....	1
12	137636	UI, GR/GRC/GS PCON DECAL..... <i>(models with 6 button, 2 speed controller) to SN GS3214A-134999 and to SN GS3214C-13999</i>	1
13	137656	DECAL,PROPEL,GR/GRC/GS,PCON.	1
14	1256702	DECAL, UI, GS/GR, PROP LIFT..... <i>(models with 4 button, proportional controller)</i>	1
15	1256703	DECAL, STD, PROP LIFT, UI, SVC..... <i>(units converted from 6 button, 2 speed lift to 4 button, proportional controller)</i>	1
16	1257923	DECAL, SMARTLINK PROPORTIONAL..... <i>(models with 4 button, proportional controller, and units converted from 6 button, 2 speed lift to 4 button, proportional controller)</i>	2

Platform, CE models

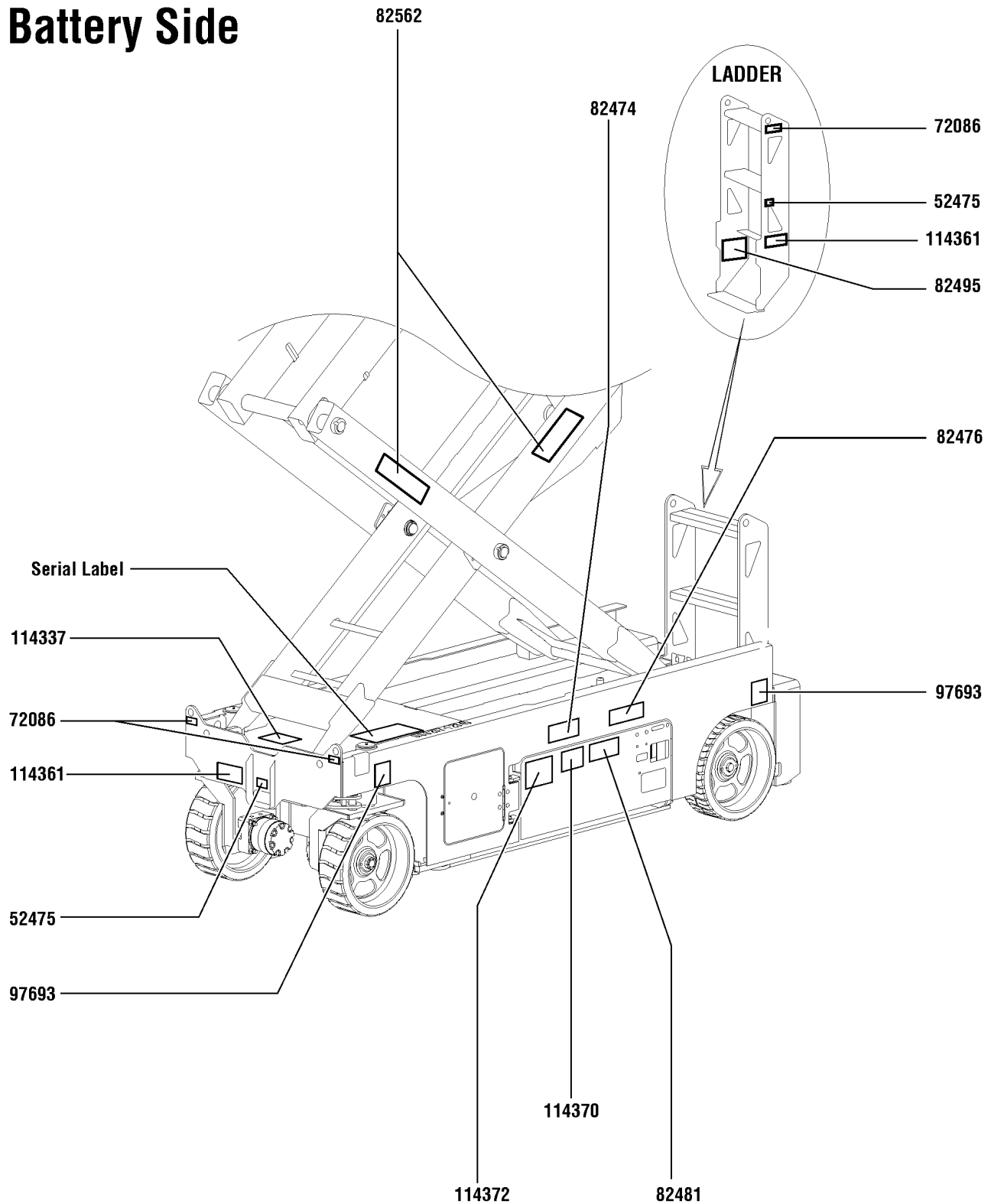


128.1 Symbol Decals, GS-2032, Platform, CE

Item	Part No.	Description	Qty.
--		REF: Symbol Decal Kits for CE <i>(refer to 125.1)</i>	
1	28174	DECAL,POWER TO PLATFORM 230V.....	1
2	28235	DECAL,POWER TO PLATFORM 115V.....	1
3	40434	DECAL,LANYARD ANCHORAGE POINT.....	3
4	43618	DECAL,LABEL-DIRECTION ARROWS.....	2
5	44981	DECAL,LABEL,AIRLINE 110 PSI..... <i>(Option)</i>	1
6	62055	DECAL,COSMETIC,GENIE GS-2032.....	2
7	82487	DECAL,SYMBOL-READ THE MANUAL.....	1
8	82497	DECAL,SYM-SIDEFORCE 200400.....	1
9	114338	DECAL,SYM-TIP-OVR,TILT ALARM.....	1
10	137605	DECAL,E-STOP,GR/GRC/GS PCON.....	1
11	137636	UI, GR/GRC/GS PCON DECAL..... <i>(models with 6 button, 2 speed controller) to SN GS3214A-134999 and to SN GS3214C-13999</i>	1
12	137656	DECAL,PROPEL,GR/GRC/GS,PCON.	1
13	228936	DECAL,INST MAX CAP 363 KG,SYM.....	1
14	1256702	DECAL, UI, GS/GR, PROP LIFT..... <i>(models with 4 button, proportional controller)</i>	1
15	1256703	DECAL, STD, PROP LIFT, UI, SVC..... <i>(units converted from 6 button, 2 speed lift to 4 button, proportional controller)</i>	1
16	1257923	DECAL, SMARTLINK PROPORTIONAL..... <i>(models with 4 button, proportional controller, and units converted from 6 button, 2 speed lift to 4 button, proportional controller)</i>	2

129.1 Symbol Decals, GS-2632, Battery Side, ANSI & CE

Battery Side

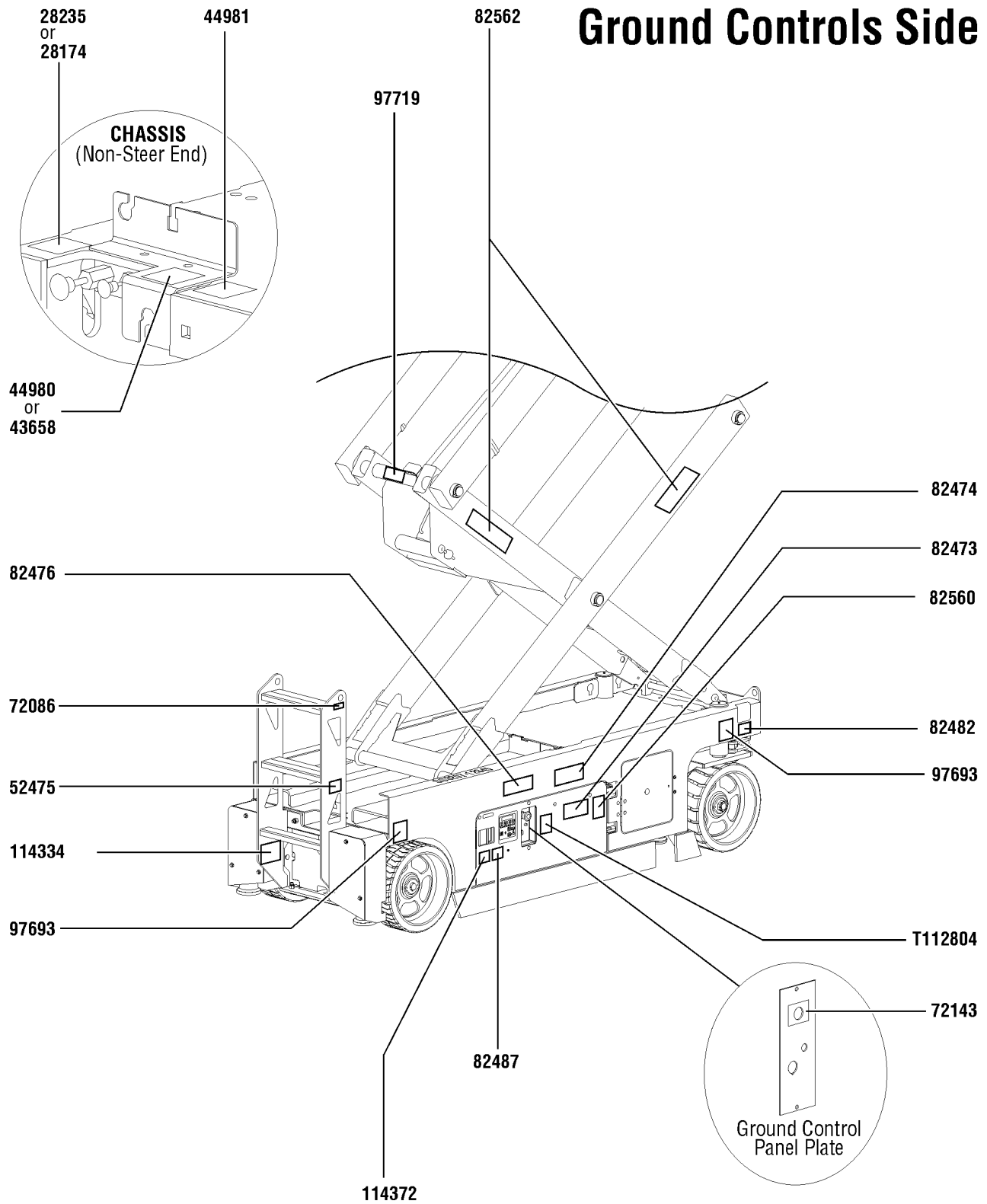


129.1 Symbol Decals, GS-2632, Battery Side, ANSI & CE

Item	Part No.	Description	Qty.
A	217277	DECAL KIT,2632 PLAT.,SYM,ANSI (ANSI models with 2 speed controller) to SN GS3214A-134999 and to SN GS3214C-13999	
B	217278	DECAL KIT,2632 COMP.,SYM,ANSI (ANSI models with 2 speed controller) to SN GS3214A-134999 and to SN GS3214C-13999	
C	217289	DECAL KIT,2632 PLAT.,SYM,CE (CE models with 2 speed controller) to SN GS3214A-134999 and to SN GS3214C-13999	
D	217290	DECAL KIT,2632 COMP.,SYM,CE (CE models with 2 speed controller) to SN GS3214A-134999 and to SN GS3214C-13999	
1	52475	DECAL,LABEL,TRANSPORT TIEDOWN*.....	2
2	72086	DECAL,LABEL,LIFTING EYE.....	3
3	82474	DECAL,SYMBOL-USE SAFETY ARM.....	1
4	82476	DECAL,SYMBOL-ELEC HAZARD,GS.....	1
5	82481	DECAL,SYMBOL-BATTERY SAFETY.....	1
6	82495	DECAL,SYMBOL-BRAKE REL SAFETY.....	1
7	82562	DECAL,SYMBOL-CRUSHING HAZARD.....	2
8	97693	DECAL,LABEL,WHEEL LOAD 2632.....	2
9	114337	DECAL,SYM-TIP-OVR,LIM SWITCH.....	1
10	114361	DECAL,LABEL-TRANSPORT DIGRAM.....	2
11	114370	DECAL-SYM-TIP-OVR,BATTRIES...1	
12	114372	DECAL,SYM-TIP-OVER,TRAYS.....1	

130.1 Symbol Decals, GS-2632, Ground Control Side, ANSI and CE

Ground Controls Side

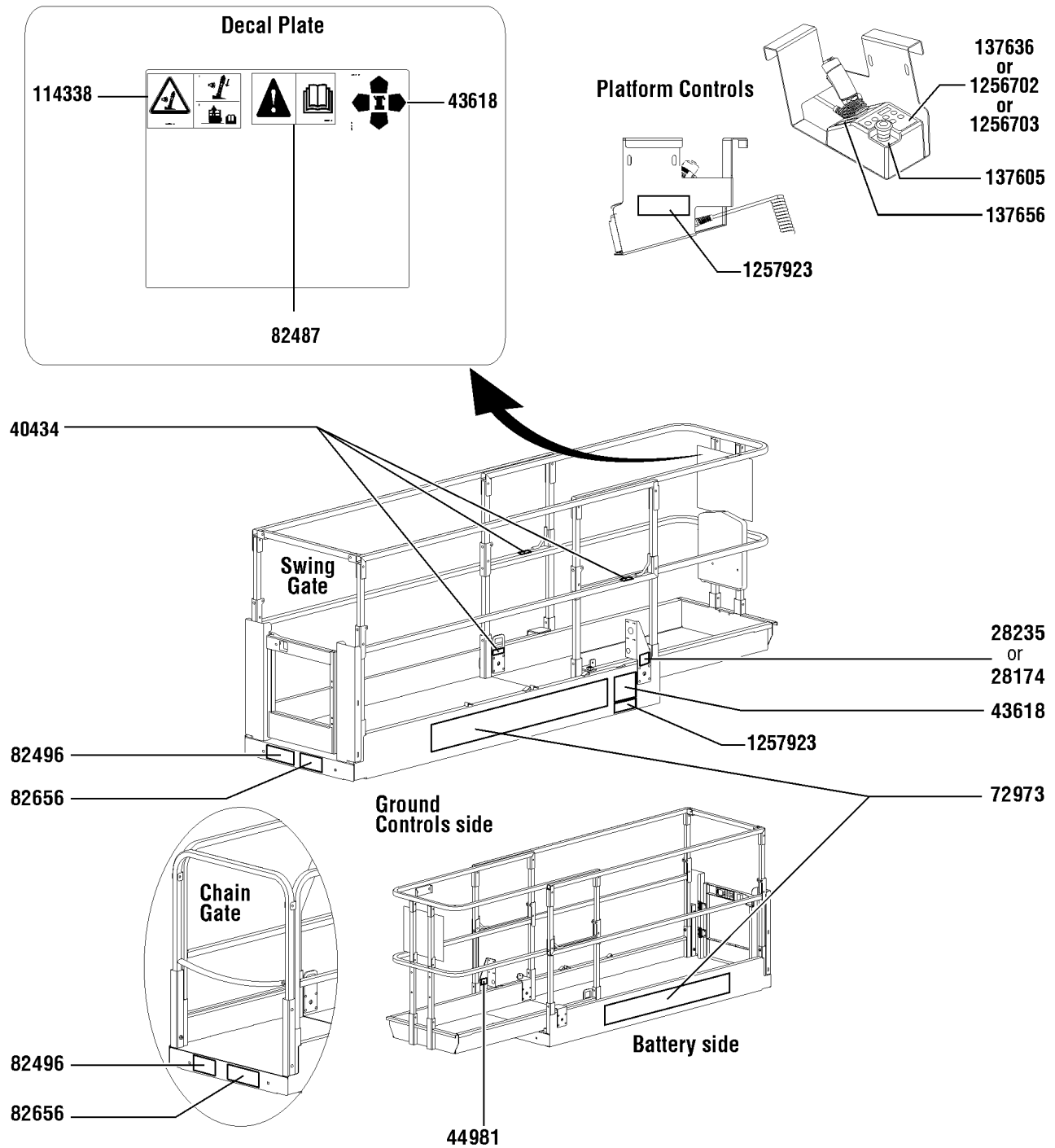


130.1 Symbol Decals, GS-2632, Ground Control Side, ANSI and CE

Item	Part No.	Description	Qty.
--		REF: Symbol Decal Kits (refer to 129.1)	
1	28174	DECAL,POWER TO PLATFORM 230V.....	1
2	28235	DECAL,POWER TO PLATFORM 115V.....	1
3	43658	DECAL,LABEL,PWR TO CHARGR 230V.....	1
4	44980	DECAL,LABEL,PWR TO CHARGR 115V.....	1
5	44981	DECAL,LABEL,AIRLINE 110 PSI..... (Option)	1
6	52475	DECAL,LABEL,TRANSPORT TIEDOWN*.....	1
7	72086	DECAL,LABEL,LIFTING EYE.....	1
8	72143	DECAL,EMERGENCY STOP,GR.....	1
9	82473	DECAL,SYMBOL-COMP ACCESS.....	1
10	82474	DECAL,SYMBOL-USE SAFETY ARM.....	1
11	82476	DECAL,SYMBOL-ELEC HAZARD,GS.....	1
12	82482	DECAL, LABEL,AUX LOWERING....	1
13	82487	DECAL,SYMBOL-READ THE MANUAL.....	1
14	82560	DECAL,SYMBOL-SKIN INJECT HAZRD.....	1
15	82562	DECAL,SYMBOL-CRUSHING HAZARD.....	2
16	97693	DECAL,LABEL,WHEEL LOAD 2632.....	2
17	97719	DECAL, LABEL, SAFETY ARM SYMB.....	1
18	114334	DECAL,SYM-ELEC HAZARD,PLUG.....	1
19	114372	DECAL,SYM-TIP-OVER,TRAYS.....	1
20	T112804	DECAL,GCON PANEL,GS.....	1

131.1 Symbol Decals, GS-2632, Platform, ANSI

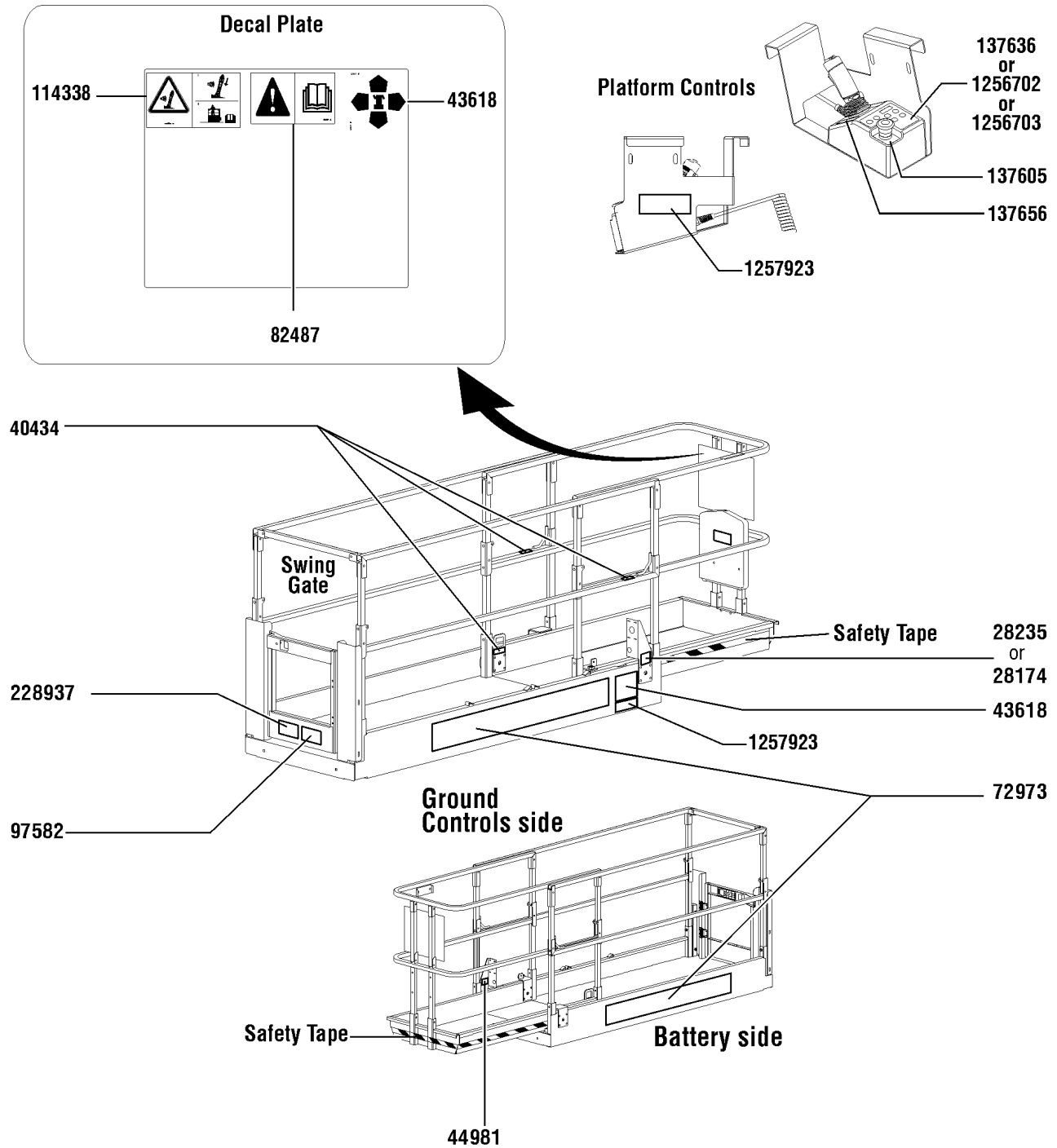
Platform, ANSI models



131.1 Symbol Decals, GS-2632, Platform, ANSI

Item	Part No.	Description	Qty.
--		REF: Symbol Decal Kits <i>(refer to 129.1)</i>	
1	28174	DECAL,POWER TO PLATFORM 230V.....	1
2	28235	DECAL,POWER TO PLATFORM 115V.....	1
3	40434	DECAL,LANYARD ANCHORAGE POINT.....	3
4	43618	DECAL,LABEL-DIRECTION ARROWS.....	2
5	44981	DECAL,LABEL,AIRLINE 110 PSI..... <i>(Option)</i>	1
6	72973	DECAL,COSMETIC,GENIE GS-2632**.....	2
7	82487	DECAL,SYMBOL-READ THE MANUAL.....	1
8	82496	DECAL,SYM-MAXCAP 500.....	1
9	82656	DECAL,SYM-SIDE FORCE 445N....	1
10	114338	DECAL,SYM-TIP-OVR,TILT ALARM.....	1
11	137605	DECAL,E-STOP,GR/GRC/GS PCON.....	1
12	137636	UI, GR/GRC/GS PCON DECAL..... <i>(models with 6 button, 2 speed controller) to SN GS3214A-134999 and to SN GS3214C-13999</i>	1
13	137656	DECAL,PROPEL,GR/GRC/GS,PCON.	1
14	1256702	DECAL, UI, GS/GR, PROP LIFT..... <i>(models with 4 button, proportional controller)</i>	1
15	1256703	DECAL, STD, PROP LIFT, UI, SVC..... <i>(units converted from 6 button, 2 speed lift to 4 button, proportional controller)</i>	1
16	1257923	DECAL, SMARTLINK PROPORTIONAL..... <i>(models with 4 button, proportional controller, and units converted from 6 button, 2 speed lift to 4 button, proportional controller)</i>	2

Platform, CE models

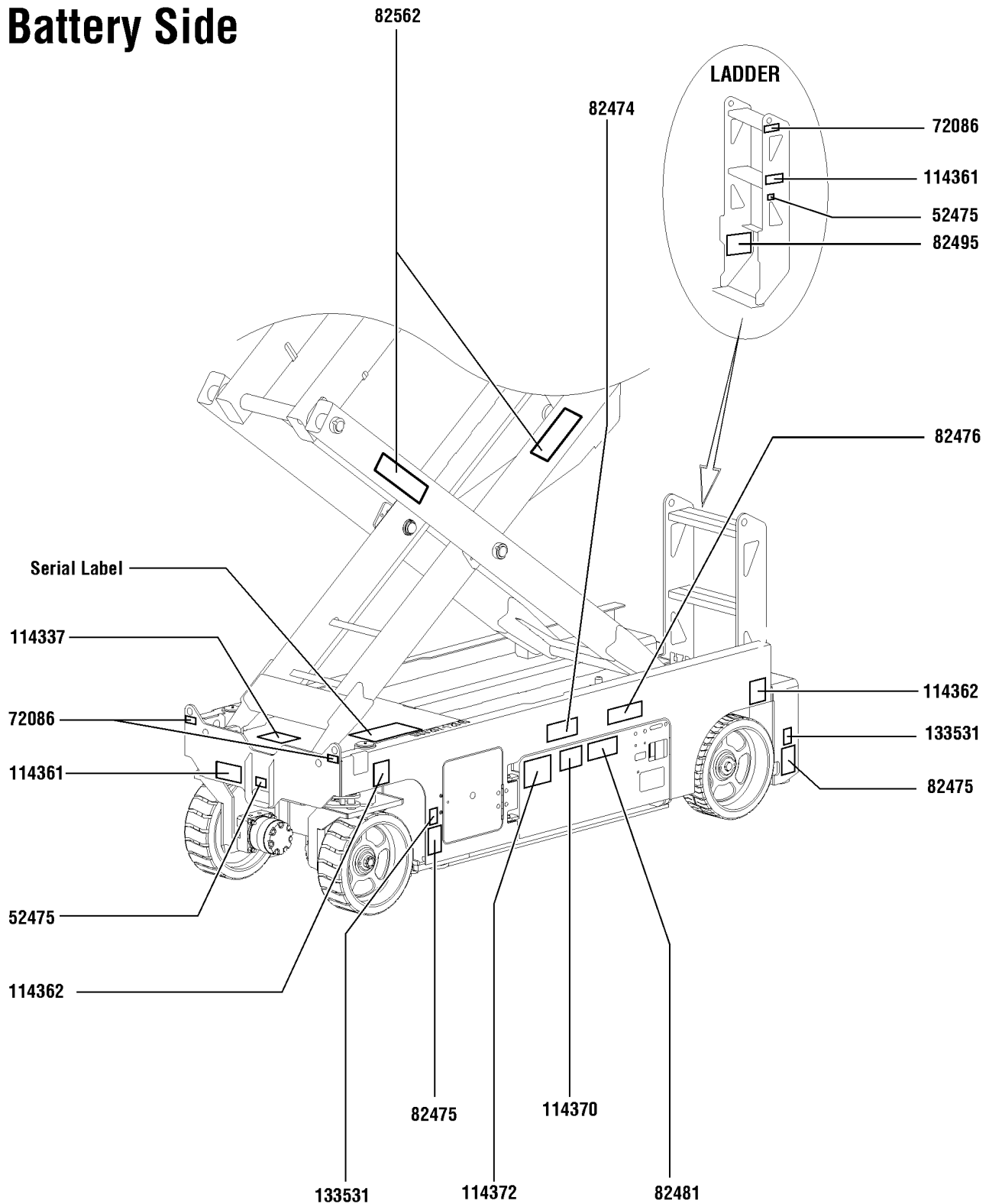


132.1 Symbol Decals, GS-2632, Platform, CE

Item	Part No.	Description	Qty.
--		REF: Symbol Decal Kits <i>(refer to 129.1)</i>	
1	28174	DECAL,POWER TO PLATFORM 230V.....	1
2	28235	DECAL,POWER TO PLATFORM 115V.....	1
3	40434	DECAL,LANYARD ANCHORAGE POINT.....	3
4	43618	DECAL,LABEL-DIRECTION ARROWS.....	2
5	44981	DECAL,LABEL,AIRLINE 110 PSI..... <i>(Option)</i>	1
6	72973	DECAL,COSMETIC,GENIE GS-2632**.....	2
7	82487	DECAL,SYMBOL-READ THE MANUAL.....	1
8	97582	DECAL,SYM-SIDEFORCE 400N ID.....	1
9	114338	DECAL,SYM-TIP-OVR,TILT ALARM.....	1
10	137605	DECAL,E-STOP,GR/GRC/GS PCON.....	1
11	137636	UI, GR/GRC/GS PCON DECAL..... <i>(models with 6 button, 2 speed controller) to SN GS3214A-134999 and to SN GS3214C-13999</i>	1
12	137656	DECAL,PROPEL,GR/GRC/GS,PCON.	1
13	228937	DECAL,SYM-MAXCAP CE GS2632.....	1
14	1256702	DECAL, UI, GS/GR, PROP LIFT..... <i>(models with 4 button, proportional controller)</i>	1
15	1256703	DECAL, STD, PROP LIFT, UI, SVC..... <i>(units converted from 6 button, 2 speed lift to 4 button, proportional controller)</i>	1
16	1257923	DECAL, SMARTLINK PROPORTIONAL..... <i>(models with 4 button, proportional controller, and units converted from 6 button, 2 speed lift to 4 button, proportional controller)</i>	2

133.1 Symbol Decals, GS-3232, Battery Side, ANSI & CE

Battery Side

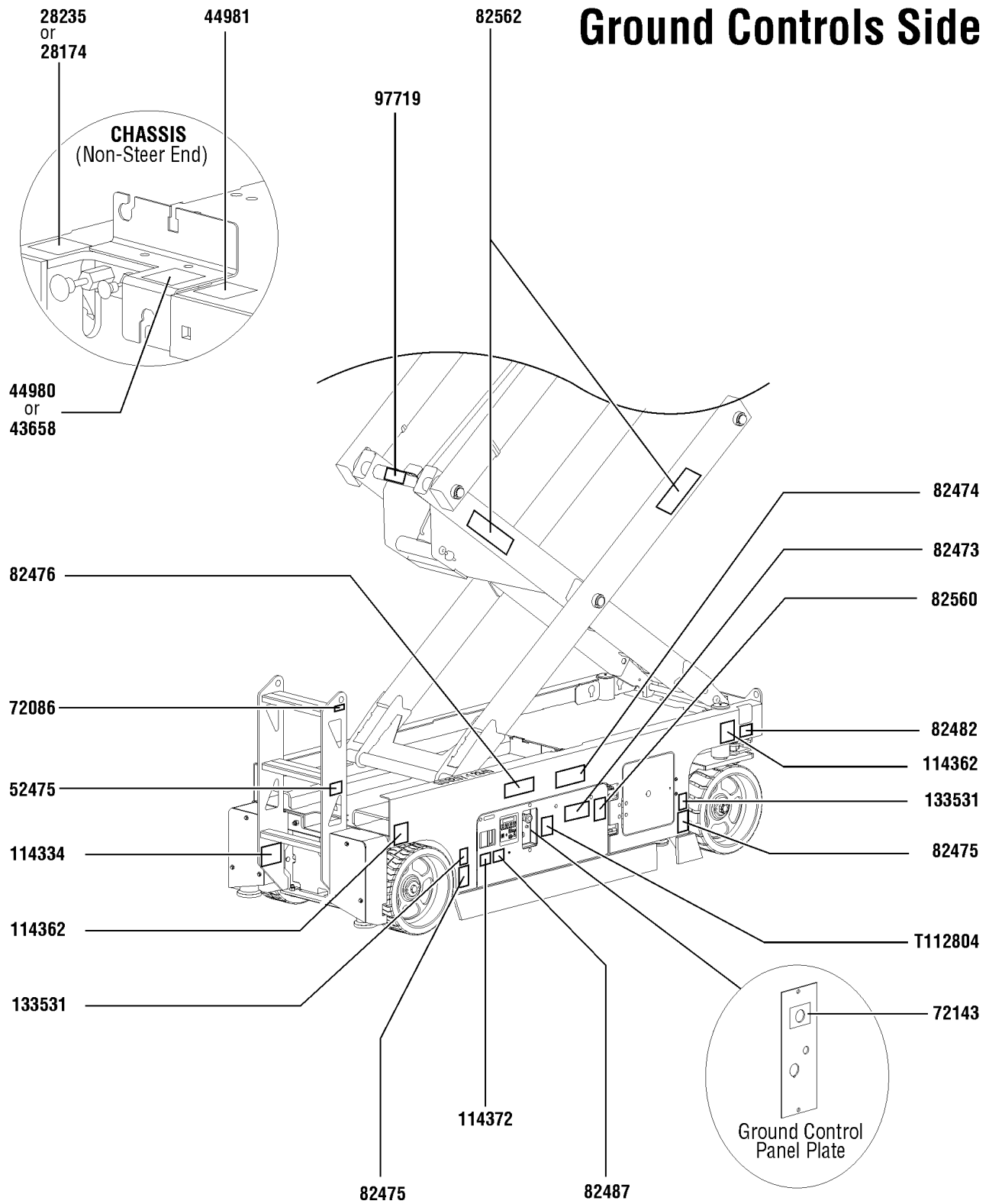


133.1 Symbol Decals, GS-3232, Battery Side, ANSI & CE

Item	Part No.	Description	Qty.
A	217279	DECAL KIT,3232 PLAT.,SYM,ANSI (ANSI models with 2 speed controller) to SN GS3214A-134999	
B	217280	DECAL KIT,3232 COMP.,SYM,ANSI (ANSI models with 2 speed controller) to SN GS3214A-134999	
C	217291	DECAL KIT,3232 PLAT.,SYM,CE (CE models with 2 speed controller) to SN GS3214A-134999	
D	217292	DECAL KIT,3232 COMP.,SYM,CE (CE models with 2 speed controller) to SN GS3214A-134999	
1	52475	DECAL,LABEL,TRANSPORT TIEDOWN*.....	2
2	72086	DECAL,LABEL,LIFTING EYE.....	3
3	82474	DECAL,SYMBOL-USE SAFETY ARM.....	1
4	82475	DECAL,SYMBOL-FOOT CRUSHING.....	2
5	82476	DECAL,SYMBOL-ELEC HAZARD,GS.....	1
6	82481	DECAL,SYMBOL-BATTERY SAFETY.....	1
7	82495	DECAL,SYMBOL-BRAKE REL SAFETY.....	1
8	82562	DECAL,SYMBOL-CRUSHING HAZARD.....	2
9	114337	DECAL,SYM-TIP-OVR,LIM SWITCH.....	1
10	114361	DECAL,LABEL-TRANSPORT DIGRAM.....	2
11	114362	DECAL,LABEL-WHEEL LOAD,GS-3232.....	2
12	114370	DECAL-SYM-TIP-OVR,BATTRIES...	1
13	114372	DECAL,SYM-TIP-OVER,TRAYS.....	1
14	133531	LABEL,OUTRIGGER,LOAD,GS-3232.	2

134.1 Symbol Decals, GS-3232, Ground Control Side, ANSI and CE

Ground Controls Side

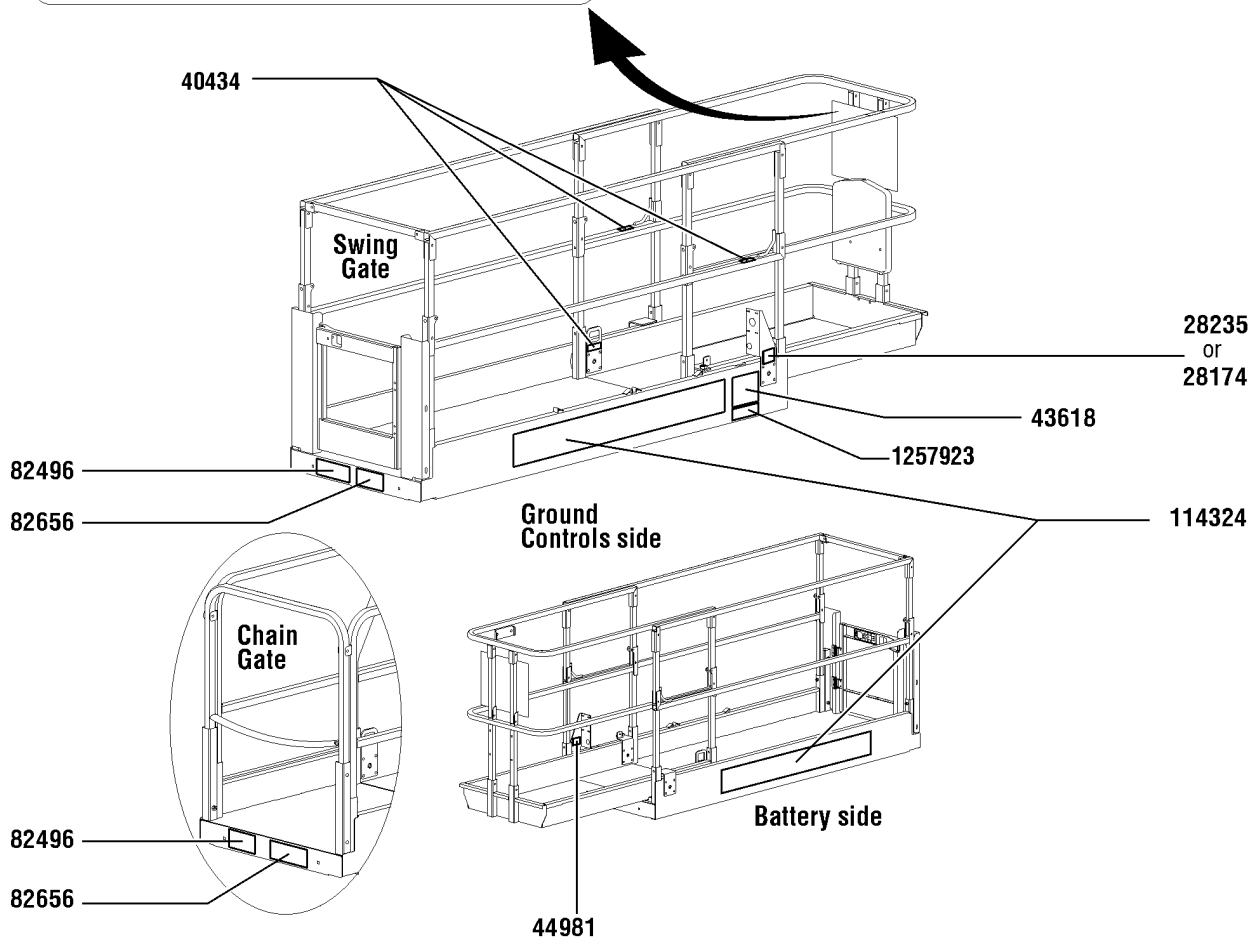
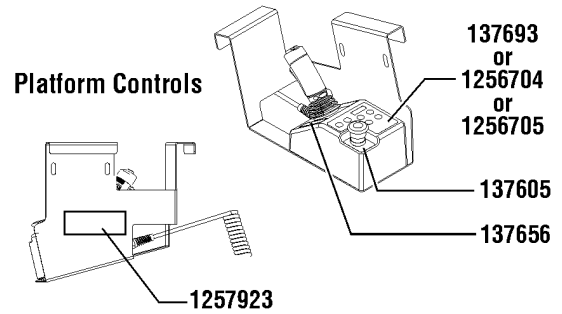
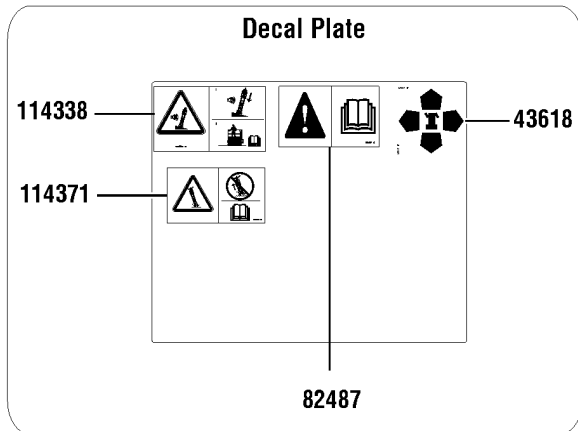


134.1 Symbol Decals, GS-3232, Ground Control Side, ANSI and CE

Item	Part No.	Description	Qty.
--		REF: Symbol Decal Kits for ANSI and CE (refer to 133.1)	
1	28174	DECAL,POWER TO PLATFORM 230V.....	1
2	28235	DECAL,POWER TO PLATFORM 115V.....	1
3	43658	DECAL,LABEL,PWR TO CHARGR 230V.....	1
4	44980	DECAL,LABEL,PWR TO CHARGR 115V.....	1
5	44981	DECAL,LABEL,AIRLINE 110 PSI..... (Option)	1
6	52475	DECAL,LABEL,TRANSPORT TIEDOWN*.....	1
7	72086	DECAL,LABEL,LIFTING EYE.....	1
8	72143	DECAL,EMERGENCY STOP,GR.....	1
9	82473	DECAL,SYMBOL-COMP ACCESS.....	1
10	82474	DECAL,SYMBOL-USE SAFETY ARM.....	1
11	82475	DECAL,SYMBOL-FOOT CRUSHING.....	2
12	82476	DECAL,SYMBOL-ELEC HAZARD,GS.....	1
13	82482	DECAL, LABEL,AUX LOWERING.....	1
14	82487	DECAL,SYMBOL-READ THE MANUAL.....	1
15	82560	DECAL,SYMBOL-SKIN INJECT HAZRD.....	1
16	82562	DECAL,SYMBOL-CRUSHING HAZARD.....	2
17	97719	DECAL, LABEL, SAFETY ARM SYMB.....	1
18	114334	DECAL,SYM-ELEC HAZARD,PLUG.....	1
19	114362	DECAL,LABEL-WHEEL LOAD,GS-3232.....	2
20	114372	DECAL,SYM-TIP-OVER,TRAYS.....	1
21	133531	LABEL,OUTRIGGER,LOAD,GS-3232.2	
22	T112804	DECAL,GCON PANEL,GS.....	1

135.1 Symbol Decals, GS-3232, Platform, ANSI

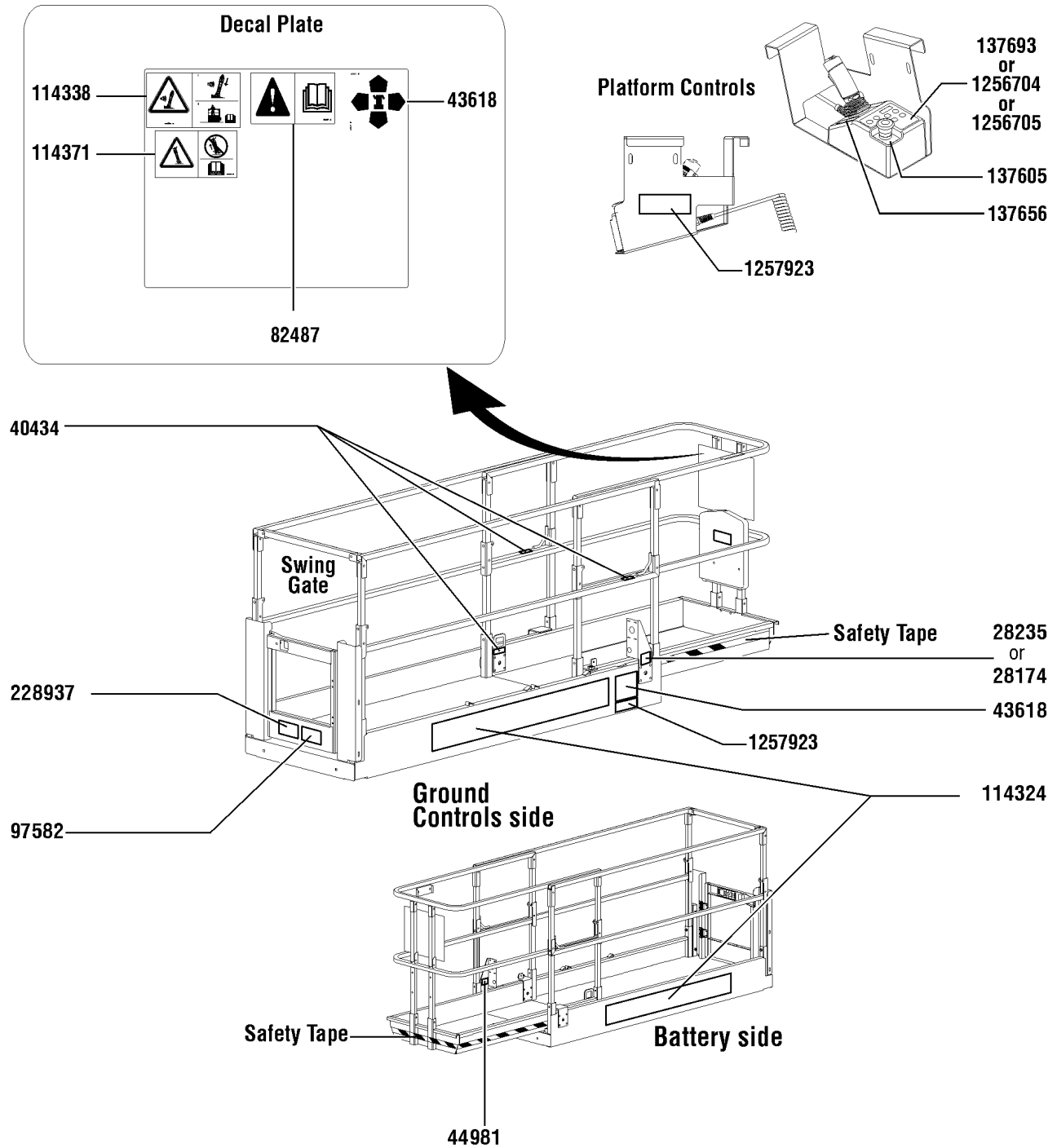
Platform, ANSI models



135.1 Symbol Decals, GS-3232, Platform, ANSI

Item	Part No.	Description	Qty.
--		REF: Symbol Decal Kits for ANSI and CE <i>(refer to 133.1)</i>	
1	28174	DECAL,POWER TO PLATFORM 230V.....	1
2	28235	DECAL,POWER TO PLATFORM 115V.....	1
3	40434	DECAL,LANYARD ANCHORAGE POINT.....	3
4	43618	DECAL,LABEL-DIRECTION ARROWS.....	2
5	44981	DECAL,LABEL,AIRLINE 110 PSI..... <i>(Option)</i>	1
6	82487	DECAL,SYMBOL-READ THE MANUAL.....	1
7	82496	DECAL,SYM-MAXCAP 500.....	1
8	82656	DECAL,SYM-SIDE FORCE 445N....	1
9	114324	DECAL,COSMETIC-GENIE GS-3232.....	2
10	114338	DECAL,SYM-TIP-OVR,TILT ALARM.....	1
11	114371	DECAL,SYM-TIP-OVER,OUTRGR..	1
12	137605	DECAL,E-STOP,GR/GRC/GS PCON.....	1
13	137656	DECAL,PROPEL,GR/GRC/GS,PCON.	1
14	137693	DECAL, UI, GS3232, PCON..... <i>(models with 8 button, 2 speed controller) to SN GS3214A-134999</i>	1
15	1256705	DECAL, O/R, PROP LIFT, UI, SVC..... <i>(models with 6 button, proportional controller)</i>	1
16	1256705	DECAL, O/R, PROP LIFT, UI, SVC..... <i>(units converted from 8 button, 2 speed lift to 6 button, proportional controller)</i>	1
17	1257923	DECAL, SMARTLINK PROPORTIONAL..... <i>(models with 6 button, proportional controller, and units converted from 8 button, 2 speed lift to 6 button, proportional controller)</i>	2

Platform, CE models

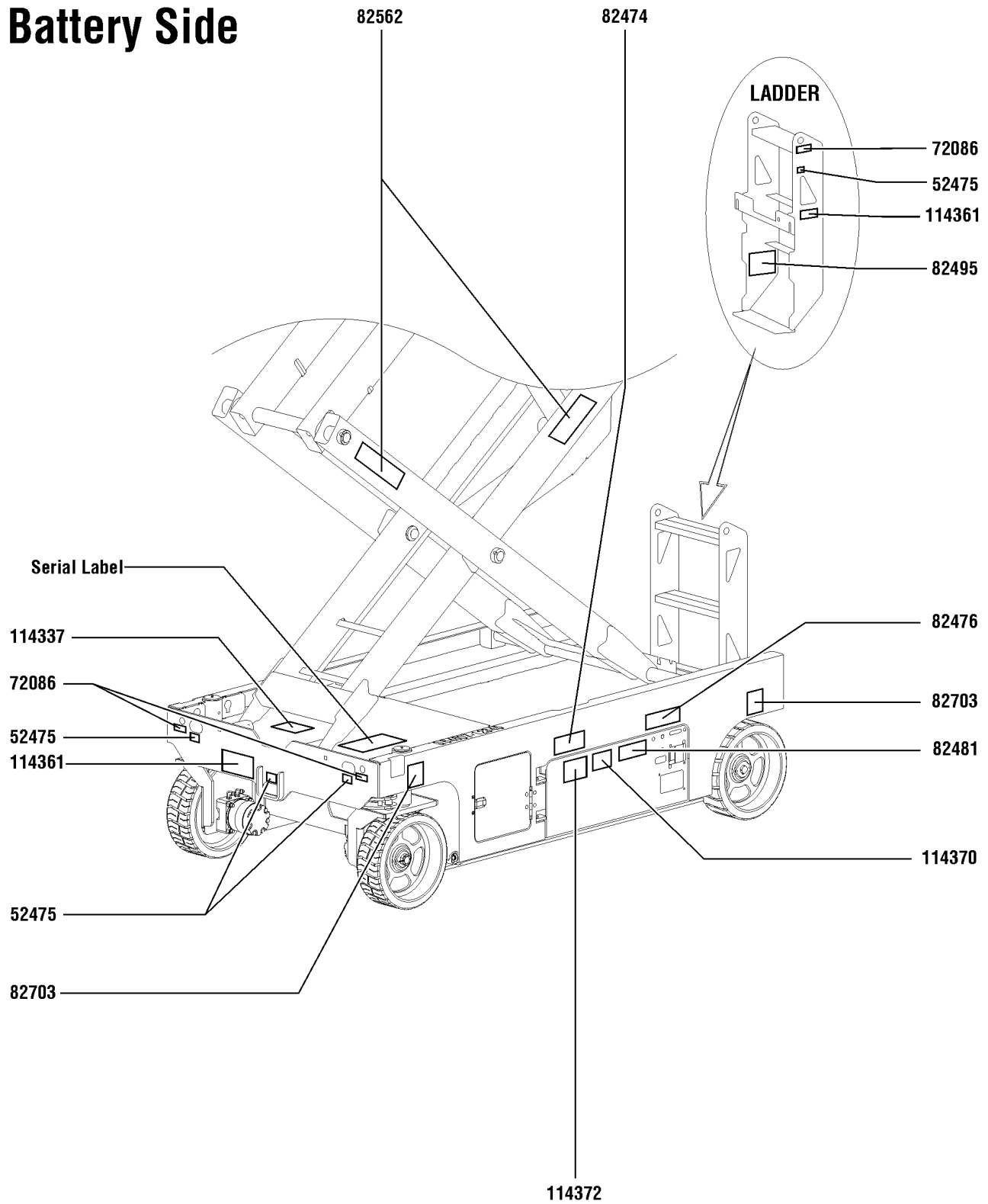


136.1 Symbol Decals, GS-3232, Platform, CE

Item	Part No.	Description	Qty.
--		REF: Symbol Decal Kits for ANSI and CE (refer to 133.1)	
1	28174	DECAL,POWER TO PLATFORM 230V.....	1
2	28235	DECAL,POWER TO PLATFORM 115V.....	1
3	40434	DECAL,LANYARD ANCHORAGE POINT.....	3
4	43618	DECAL,LABEL-DIRECTION ARROWS.....	2
5	44981	DECAL,LABEL,AIRLINE 110 PSI..... (Option)	1
6	82487	DECAL,SYMBOL-READ THE MANUAL.....	1
7	97582	DECAL,SYM-SIDEFORCE 400N ID.....	1
8	114324	DECAL,COSMETIC-GENIE GS-3232.....	2
9	114338	DECAL,SYM-TIP-OVR,TILT ALARM.....	1
10	114371	DECAL,SYM-TIP-OVER,OUTRGR..	1
11	137605	DECAL,E-STOP,GR/GRC/GS PCON.....	1
12	137656	DECAL,PROPEL,GR/GRC/GS,PCON.	1
13	137693	DECAL, UI, GS3232, PCON..... (models with 8 button, 2 speed controller) to SN GS32 14A-134999	1
14	228937	DECAL,SYM-MAXCAP CE GS2632.....	1
15	1256705	DECAL, O/R, PROP LIFT, UI, SVC..... (models with 6 button, proportional controller)	1
16	1256705	DECAL, O/R, PROP LIFT, UI, SVC..... (units converted from 8 button, 2 speed lift to 6 button, proportional controller)	1
17	1257923	DECAL, SMARTLINK PROPORTIONAL..... (models with 6 button, proportional controller, and units converted from 8 button, 2 speed lift to 6 button, proportional controller)	2

137.1 Symbol Decals, GS-2046, Battery Side, ANSI & CE

Battery Side

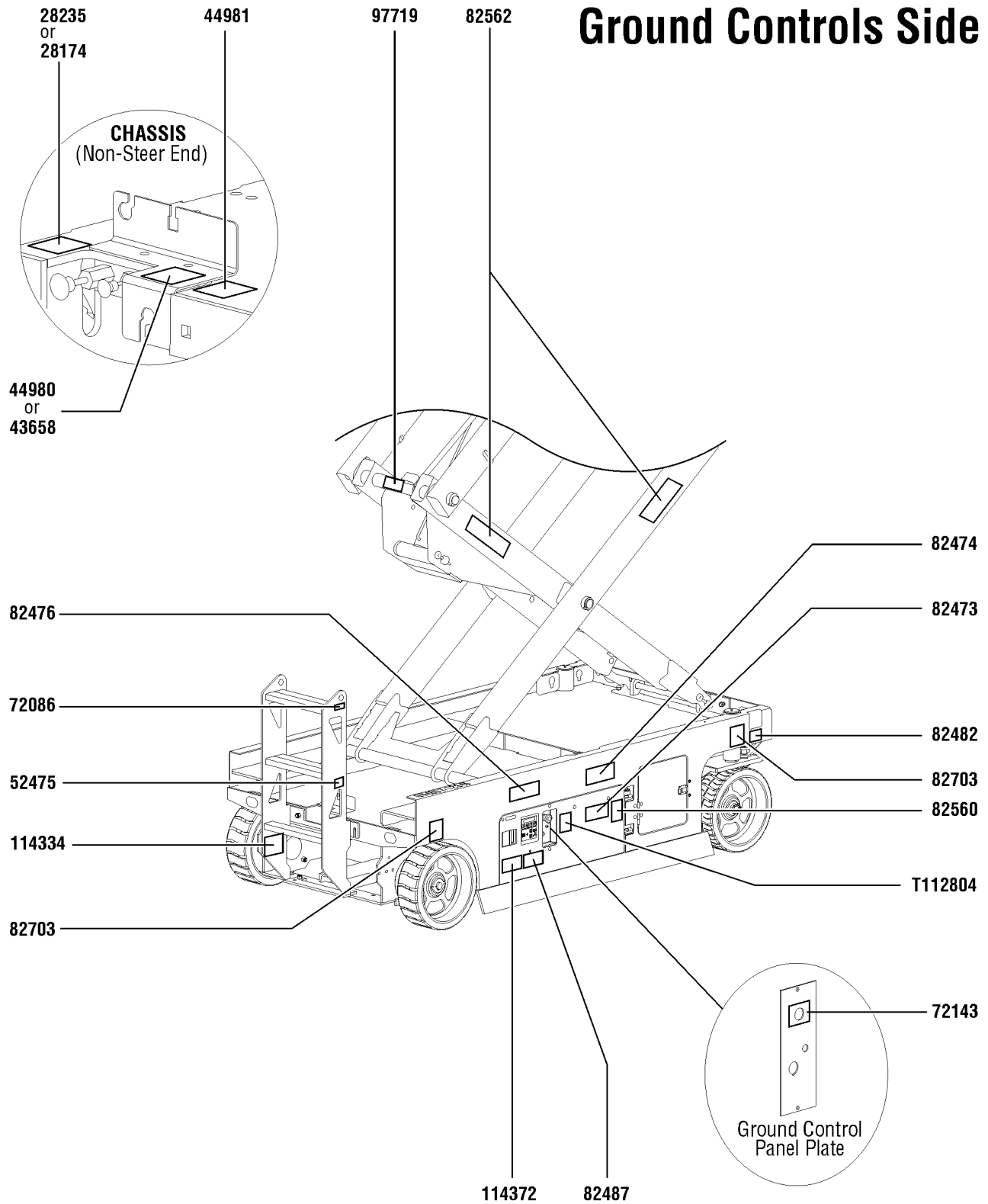


137.1 Symbol Decals, GS-2046, Battery Side, ANSI & CE

Item	Part No.	Description	Qty.
A	217281	DECAL KIT,2046 PLAT.,SYM,ANSI (ANSI models with 2 speed controller) to SN GS4614A-134999 and to SN GS4614C-13999	
B	217282	DECAL KIT,2046 COMP.,SYM,ANSI (ANSI models with 2 speed controller) to SN GS4614A-134999 and to SN G46214C-13999	
C	217294	DECAL KIT,2046 PLAT.,SYM,CE (CE models with 2 speed controller) to SN GS4614A-134999 and to SN GS4614C-13999	
D	217295	DECAL KIT,2046 COMP.,SYM,CE (CE models with 2 speed controller) to SN GS4614A-134999 and to SN GS4614C-13999	
1	52475	DECAL,LABEL,TRANSPORT TIEDOWN*.....	4
2	72086	DECAL,LABEL,LIFTING EYE.....	3
3	82474	DECAL,SYMBOL-USE SAFETY ARM.....	1
4	82476	DECAL,SYMBOL-ELEC HAZARD,GS.....	1
5	82481	DECAL,SYMBOL-BATTERY SAFETY.....	1
6	82495	DECAL,SYMBOL-BRAKE REL SAFETY.....	1
7	82562	DECAL,SYMBOL-CRUSHING HAZARD.....	2
8	82703	DECAL,LABEL,WHEEL LOAD 2046.....	2
9	114337	DECAL,SYM-TIP-OVR,LIM SWITCH.....	1
10	114361	DECAL,LABEL-TRANSPORT DIGRAM.....	2
11	114370	DECAL-SYM-TIP-OVR,BATTRIES...1	
12	114372	DECAL,SYM-TIP-OVER,TRAYS.....1	

138.1 Symbol Decals, GS-2046, Ground Control Side, ANSI and CE

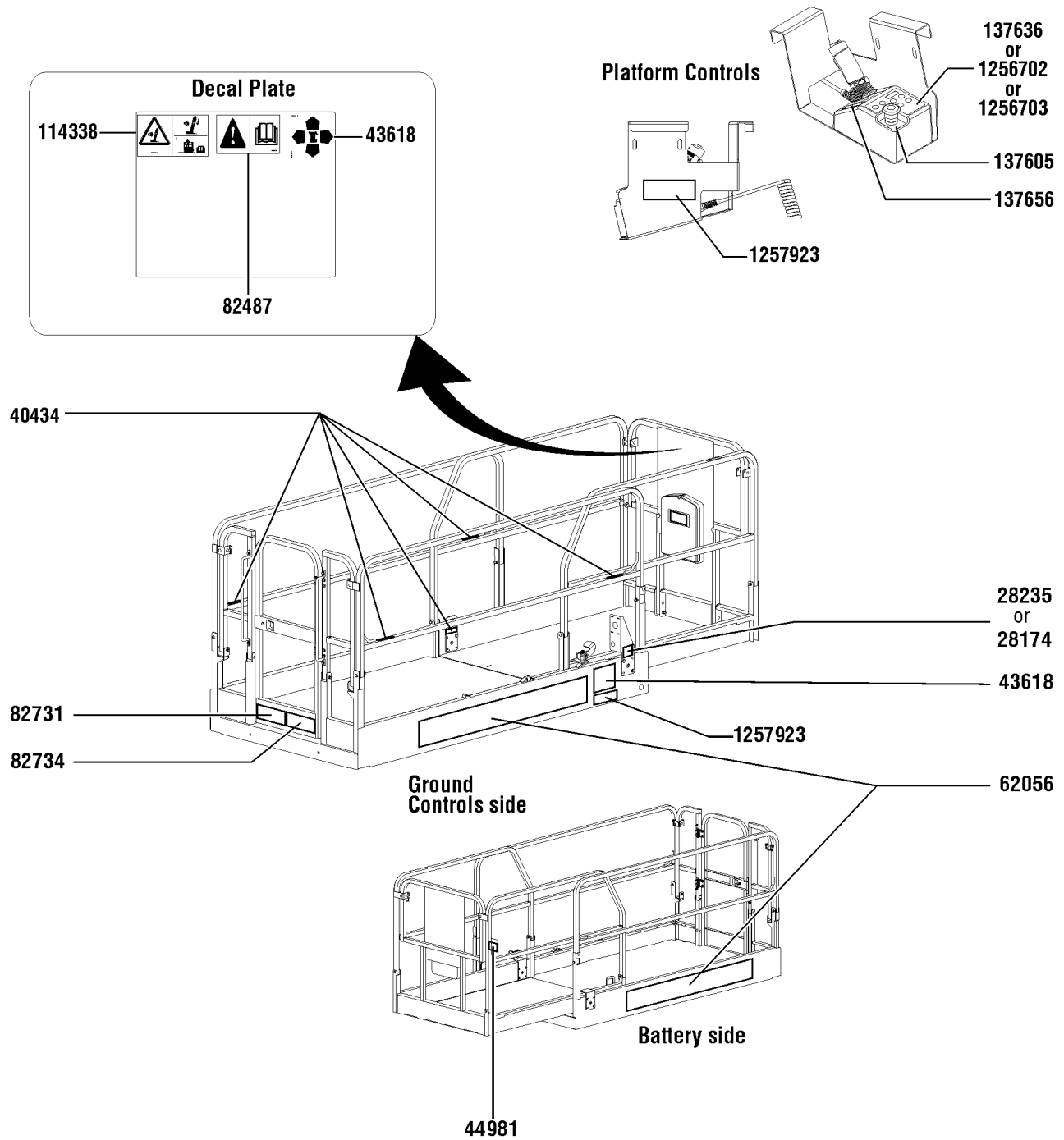
Ground Controls Side



138.1 Symbol Decals, GS-2046, Ground Control Side, ANSI and CE

Item	Part No.	Description	Qty.
--		REF: Symbol Decal Kits (refer to 113.1)	
1	28174	DECAL,POWER TO PLATFORM 230V.....	1
2	28235	DECAL,POWER TO PLATFORM 115V.....	1
3	43658	DECAL,LABEL,PWR TO CHARGR 230V.....	1
4	44980	DECAL,LABEL,PWR TO CHARGR 115V.....	1
5	44981	DECAL,LABEL,AIRLINE 110 PSI..... (Option)	1
6	52475	DECAL,LABEL,TRANSPORT TIEDOWN*.....	1
7	72086	DECAL,LABEL,LIFTING EYE.....	1
8	72143	DECAL,EMERGENCY STOP,GR.....	1
9	82473	DECAL,SYMBOL-COMP ACCESS.....	1
10	82474	DECAL,SYMBOL-USE SAFETY ARM.....	1
11	82476	DECAL,SYMBOL-ELEC HAZARD,GS.....	1
12	82482	DECAL, LABEL,AUX LOWERING....	1
13	82487	DECAL,SYMBOL-READ THE MANUAL.....	1
14	82560	DECAL,SYMBOL-SKIN INJECT HAZRD.....	1
15	82562	DECAL,SYMBOL-CRUSHING HAZARD.....	2
16	82703	DECAL,LABEL,WHEEL LOAD 2046.....	2
17	97719	DECAL, LABEL, SAFETY ARM SYMB.....	1
18	114334	DECAL,SYM-ELEC HAZARD,PLUG.....	1
19	114372	DECAL,SYM-TIP-OVER,TRAYS.....	1
20	T112804	DECAL,GCON PANEL,GS.....	1

Platform, ANSI models

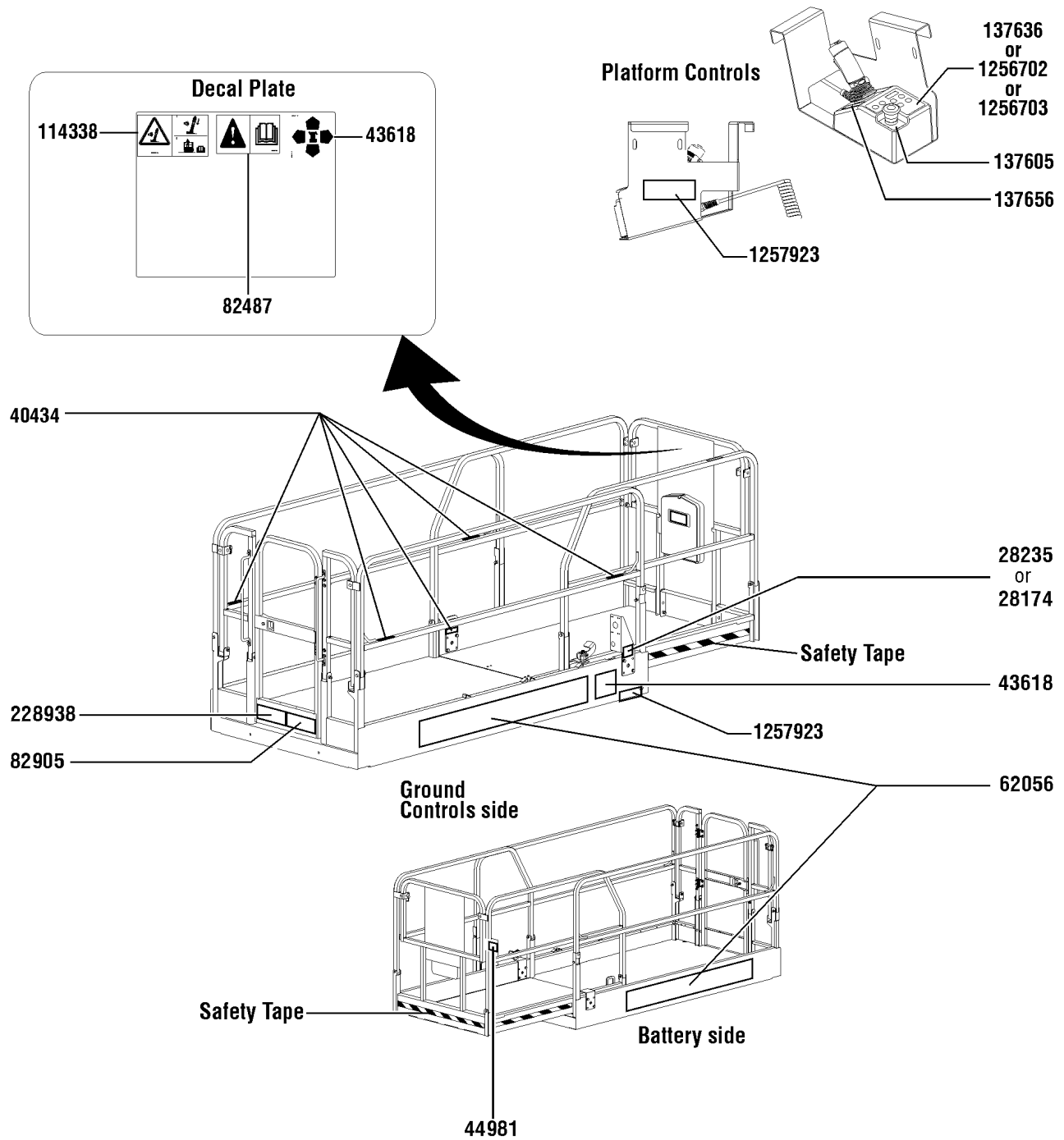


139.1 Symbol Decals, GS-2046, Platform, ANSI

Item	Part No.	Description	Qty.
--		REF: Symbol Decal Kits <i>(refer to 113.1)</i>	
1	28174	DECAL,POWER TO PLATFORM 230V.....	1
2	28235	DECAL,POWER TO PLATFORM 115V.....	1
3	40434	DECAL,LANYARD ANCHORAGE POINT.....	5
4	43618	DECAL,LABEL-DIRECTION ARROWS.....	2
5	44981	DECAL,LABEL,AIRLINE 110 PSI..... <i>(Option)</i>	1
6	62056	DECAL,COSMETIC,GENIE GS-2046**.....	2
7	82487	DECAL,SYMBOL-READ THE MANUAL.....	1
8	82731	DECAL,SYM-MAXCAP 1200.....	1
9	82734	DECAL,SYM-SIDE FORCE 2046.....	1
10	114338	DECAL,SYM-TIP-OVR,TILT ALARM.....	1
11	137605	DECAL,E-STOP,GR/GRC/GS PCON.....	1
12	137636	UI, GR/GRC/GS PCON DECAL..... <i>(models with 6 button, 2 speed controller) to SN GS4614A-134999 and to SN GS4614C-13999</i>	1
13	137656	DECAL,PROPEL,GR/GRC/GS,PCON.	1
14	1256702	DECAL, UI, GS/GR, PROP LIFT..... <i>(models with 4 button, proportional controller)</i>	1
15	1256703	DECAL, STD, PROP LIFT, UI, SVC..... <i>(units converted from 6 button, 2 speed lift to 4 button, proportional controller)</i>	1
16	1257923	DECAL, SMARTLINK PROPORTIONAL..... <i>(models with 4 button, proportional controller, and units converted from 6 button, 2 speed lift to 4 button, proportional controller)</i>	2



Platform, CE models

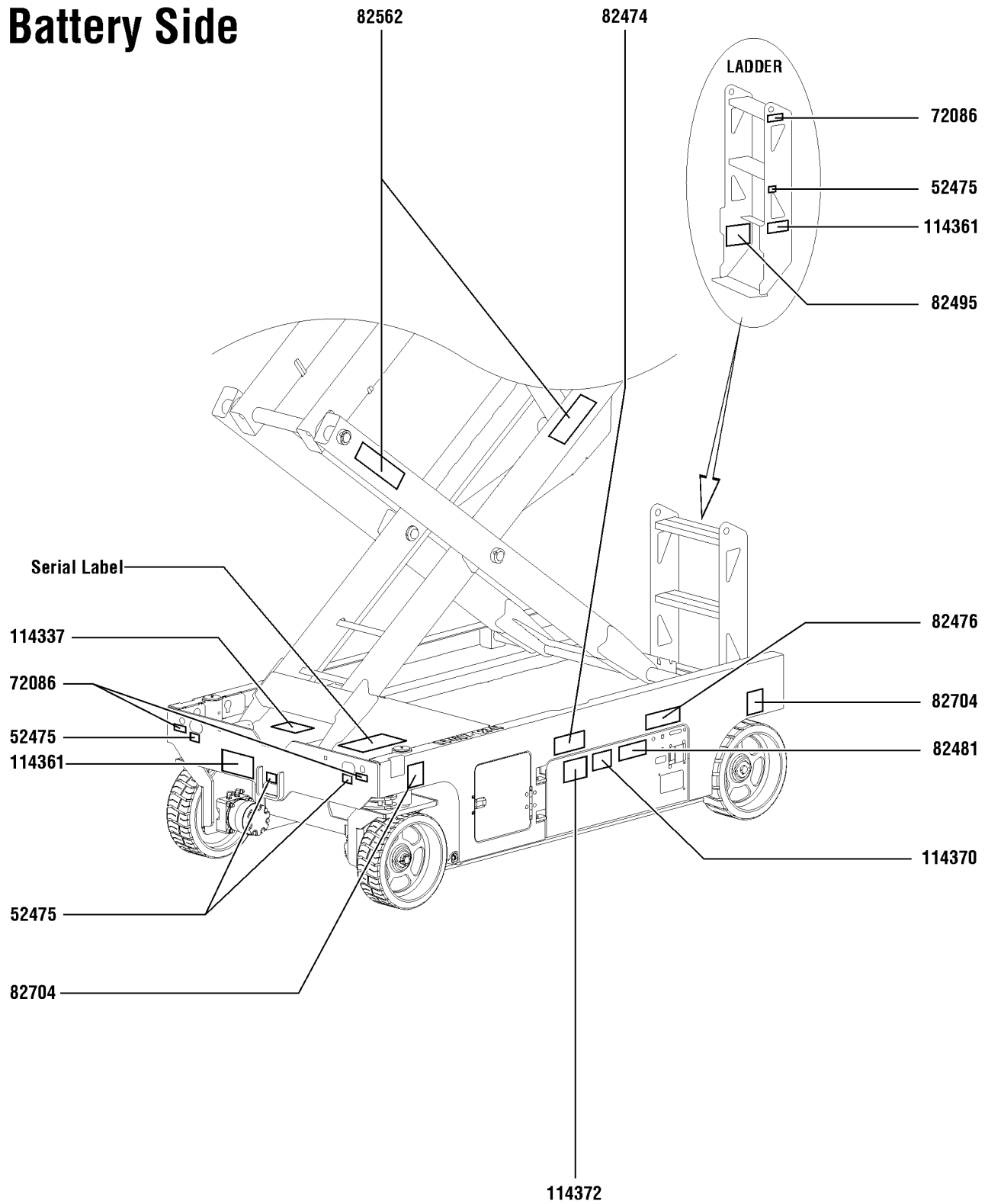


140.1 Symbol Decals, GS-2046, Platform, CE

Item	Part No.	Description	Qty.
--		REF: Symbol Decal Kits <i>(refer to 113.1)</i>	
1	28174	DECAL,POWER TO PLATFORM 230V.....	1
2	28235	DECAL,POWER TO PLATFORM 115V.....	1
3	40434	DECAL,LANYARD ANCHORAGE POINT.....	5
4	43618	DECAL,LABEL-DIRECTION ARROWS.....	2
5	44981	DECAL,LABEL,AIRLINE 110 PSI..... <i>(Option)</i>	1
6	62056	DECAL,COSMETIC,GENIE GS-2046**.....	2
7	82487	DECAL,SYMBOL-READ THE MANUAL.....	1
8	82905	DECAL,SYM-SIDEFORCE 400N.....	1
9	114338	DECAL,SYM-TIP-OVR,TILT ALARM.....	1
10	137605	DECAL,E-STOP,GR/GRC/GS PCON.....	1
11	137636	UI, GR/GRC/GS PCON DECAL..... <i>(models with 6 button, 2 speed controller) to SN GS4614A-134999 and to SN GS4614C-13999</i>	1
12	137656	DECAL,PROPEL,GR/GRC/GS,PCON.	1
13	228938	DECAL,SYM,MAXCAP CE,GS2046.....	1
14	1256702	DECAL, UI, GS/GR, PROP LIFT..... <i>(models with 4 button, proportional controller)</i>	1
15	1256703	DECAL, STD, PROP LIFT, UI, SVC..... <i>(units converted from 6 button, 2 speed lift to 4 button, proportional controller)</i>	1
16	1257923	DECAL, SMARTLINK PROPORTIONAL..... <i>(models with 4 button, proportional controller, and units converted from 6 button, 2 speed lift to 4 button, proportional controller)</i>	2

141.1 Symbol Decals, GS-2646, Battery Side, ANSI & CE

Battery Side

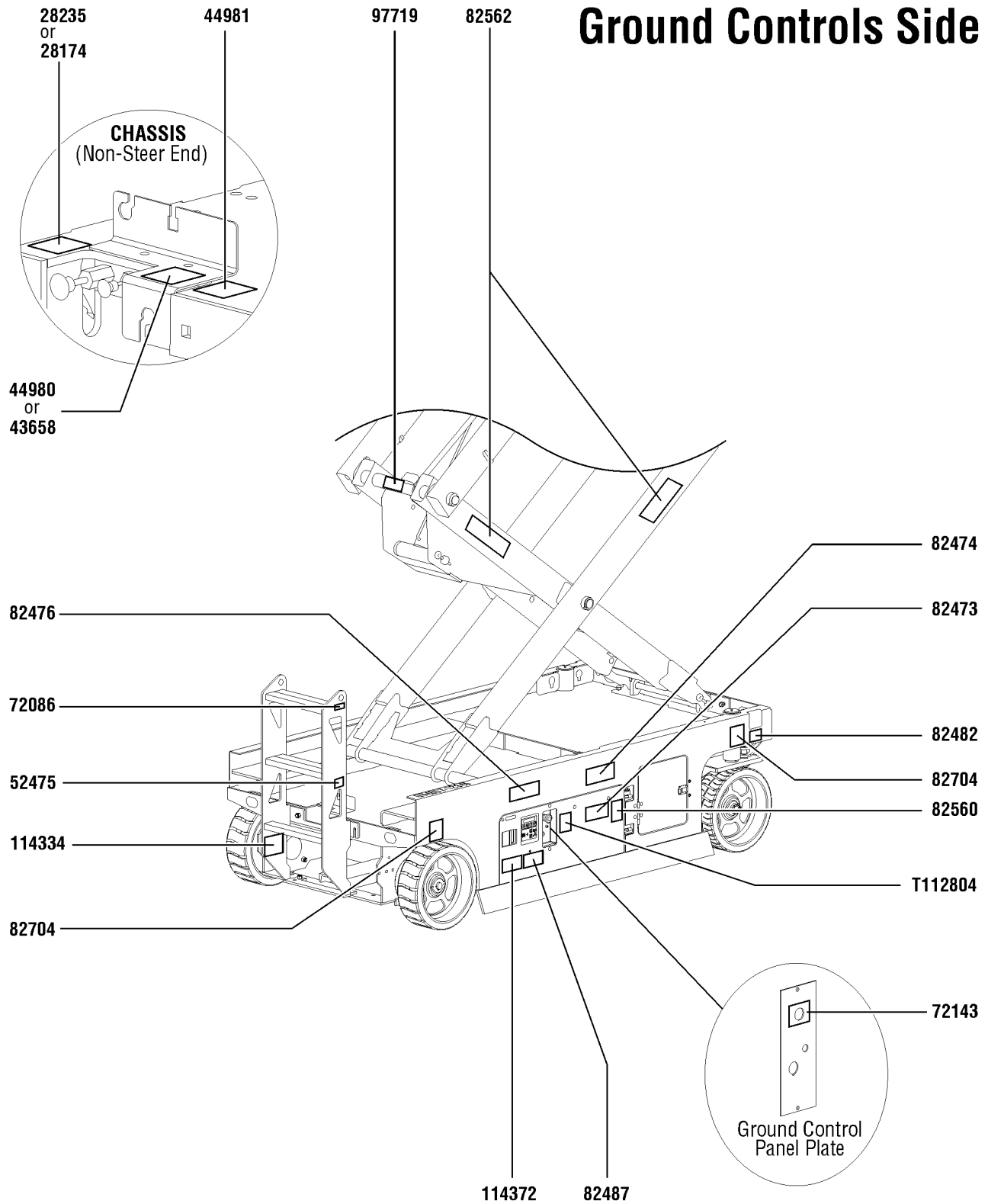


141.1 Symbol Decals, GS-2646, Battery Side, ANSI & CE

Item	Part No.	Description	Qty.
A	217283	DECAL KIT,2646 PLAT.,SYM,ANSI (ANSI models with 2 speed controller) to SN GS4614A-134999 and to SN GS4614C-13999	
B	217284	DECAL KIT,2646 COMP.,SYM,ANSI (ANSI models with 2 speed controller) to SN GS4614A-134999 and to SN GS4614C-13999	
C	217296	DECAL KIT,2646 PLAT.,SYM,CE (CE models with 2 speed controller) to SN GS4614A-134999 and to SN GS4614C-13999	
D	217297	DECAL KIT,2646 COMP.,SYM,CE (CE models with 2 speed controller) to SN GS4614A-134999 and to SN GS4614C-13999	
1	52475	DECAL,LABEL,TRANSPORT TIEDOWN*.....	4
2	72086	DECAL,LABEL,LIFTING EYE.....	3
3	82474	DECAL,SYMBOL-USE SAFETY ARM.....	1
4	82476	DECAL,SYMBOL-ELEC HAZARD,GS.....	1
5	82481	DECAL,SYMBOL-BATTERY SAFETY.....	1
6	82495	DECAL,SYMBOL-BRAKE REL SAFETY.....	1
7	82562	DECAL,SYMBOL-CRUSHING HAZARD.....	2
8	82704	DECAL,LABEL,WHEEL LOAD 2646.....	2
9	114337	DECAL,SYM-TIP-OVR,LIM SWITCH.....	1
10	114361	DECAL,LABEL-TRANSPORT DIGRAM.....	2
11	114370	DECAL-SYM-TIP-OVR,BATTRIES...1	
12	114372	DECAL,SYM-TIP-OVER,TRAYS.....1	

142.1 Symbol Decals, GS-2646, Ground Control Side, ANSI and CE

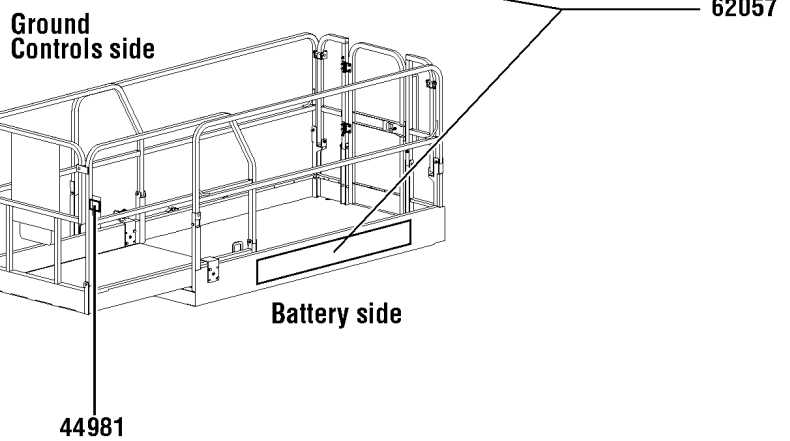
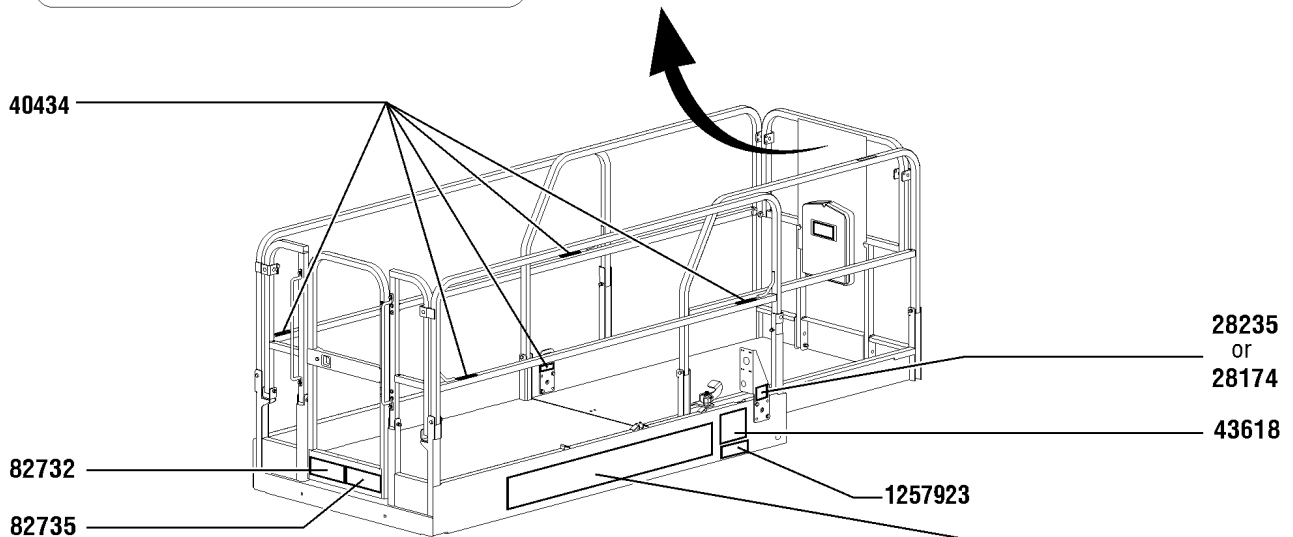
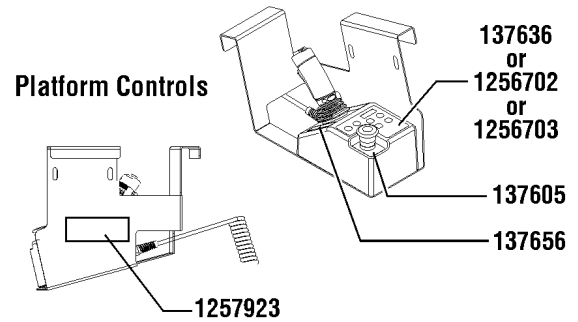
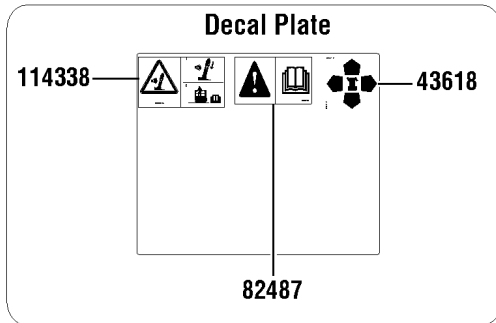
Ground Controls Side



142.1 Symbol Decals, GS-2646, Ground Control Side, ANSI and CE

Item	Part No.	Description	Qty.
--		REF: Symbol Decal Kits (refer to 141.1)	
1	28174	DECAL,POWER TO PLATFORM 230V.....	1
2	28235	DECAL,POWER TO PLATFORM 115V.....	1
3	43658	DECAL,LABEL,PWR TO CHARGR 230V.....	1
4	44980	DECAL,LABEL,PWR TO CHARGR 115V.....	1
5	44981	DECAL,LABEL,AIRLINE 110 PSI.... (Option)	1
6	52475	DECAL,LABEL,TRANSPORT TIEDOWN*.....	1
7	72086	DECAL,LABEL,LIFTING EYE.....	1
8	72143	DECAL,EMERGENCY STOP,GR.....	1
9	82473	DECAL,SYMBOL-COMP ACCESS.....	1
10	82474	DECAL,SYMBOL-USE SAFETY ARM.....	1
11	82476	DECAL,SYMBOL-ELEC HAZARD,GS.....	1
12	82482	DECAL, LABEL,AUX LOWERING....	1
13	82487	DECAL,SYMBOL-READ THE MANUAL.....	1
14	82560	DECAL,SYMBOL-SKIN INJECT HAZRD.....	1
15	82562	DECAL,SYMBOL-CRUSHING HAZARD.....	2
16	82704	DECAL,LABEL,WHEEL LOAD 2646.....	2
17	97719	DECAL, LABEL, SAFETY ARM SYMB.....	1
18	114334	DECAL,SYM-ELEC HAZARD,PLUG.....	1
19	114372	DECAL,SYM-TIP-OVER,TRAYS.....	1
20	T112804	DECAL,GCON PANEL,GS.....	1

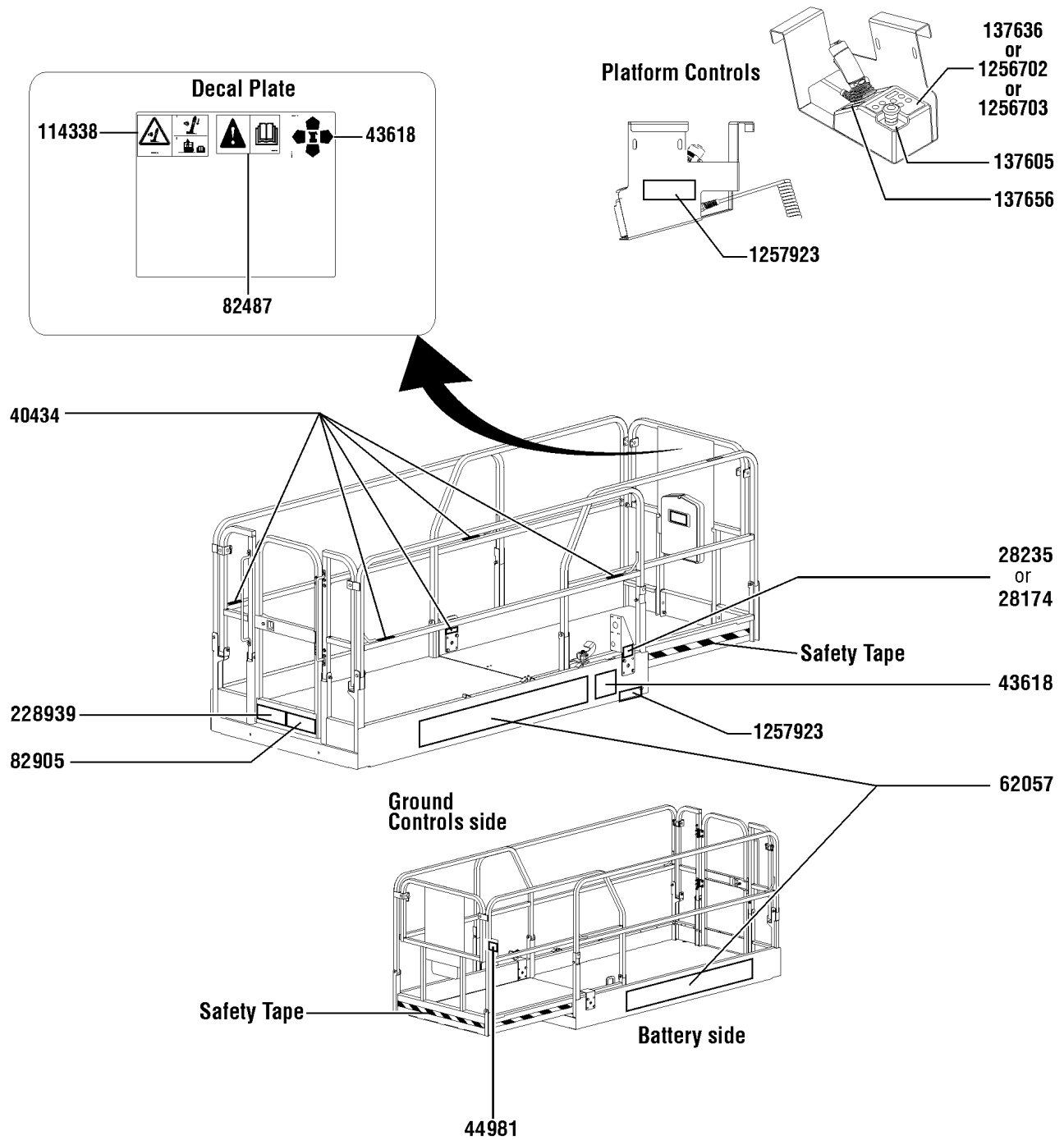
Platform, ANSI models



143.1 Symbol Decals, GS-2646, Platform, ANSI

Item	Part No.	Description	Qty.
--		REF: Symbol Decal Kits <i>(refer to 141.1)</i>	
1	28174	DECAL,POWER TO PLATFORM 230V.....	1
2	28235	DECAL,POWER TO PLATFORM 115V.....	1
3	40434	DECAL,LANYARD ANCHORAGE POINT.....	5
4	43618	DECAL,LABEL-DIRECTION ARROWS.....	2
5	44981	DECAL,LABEL,AIRLINE 110 PSI..... <i>(Option)</i>	1
6	62057	DECAL,COSMETIC,GENIE GS-2646.....	2
7	82487	DECAL,SYMBOL-READ THE MANUAL.....	1
8	82732	DECAL,SYM-MAXCAP 1000.....	1
9	82735	DECAL,SYM-SIDE FORCE 2646.....	1
10	114338	DECAL,SYM-TIP-OVR,TILT ALARM.....	1
11	137605	DECAL,E-STOP,GR/GRC/GS PCON.....	1
12	137636	UI, GR/GRC/GS PCON DECAL..... <i>(models with 6 button, 2 speed controller) to SN GS4614A-134999 and to SN GS4614C-13999</i>	1
13	137656	DECAL,PROPEL,GR/GRC/GS,PCON.	1
14	1256702	DECAL, UI, GS/GR, PROP LIFT..... <i>(models with 4 button, proportional controller)</i>	1
15	1256703	DECAL, STD, PROP LIFT, UI, SVC..... <i>(units converted from 6 button, 2 speed lift to 4 button, proportional controller)</i>	1
16	1257923	DECAL, SMARTLINK PROPORTIONAL..... <i>(models with 4 button, proportional controller, and units converted from 6 button, 2 speed lift to 4 button, proportional controller)</i>	2

Platform, CE models

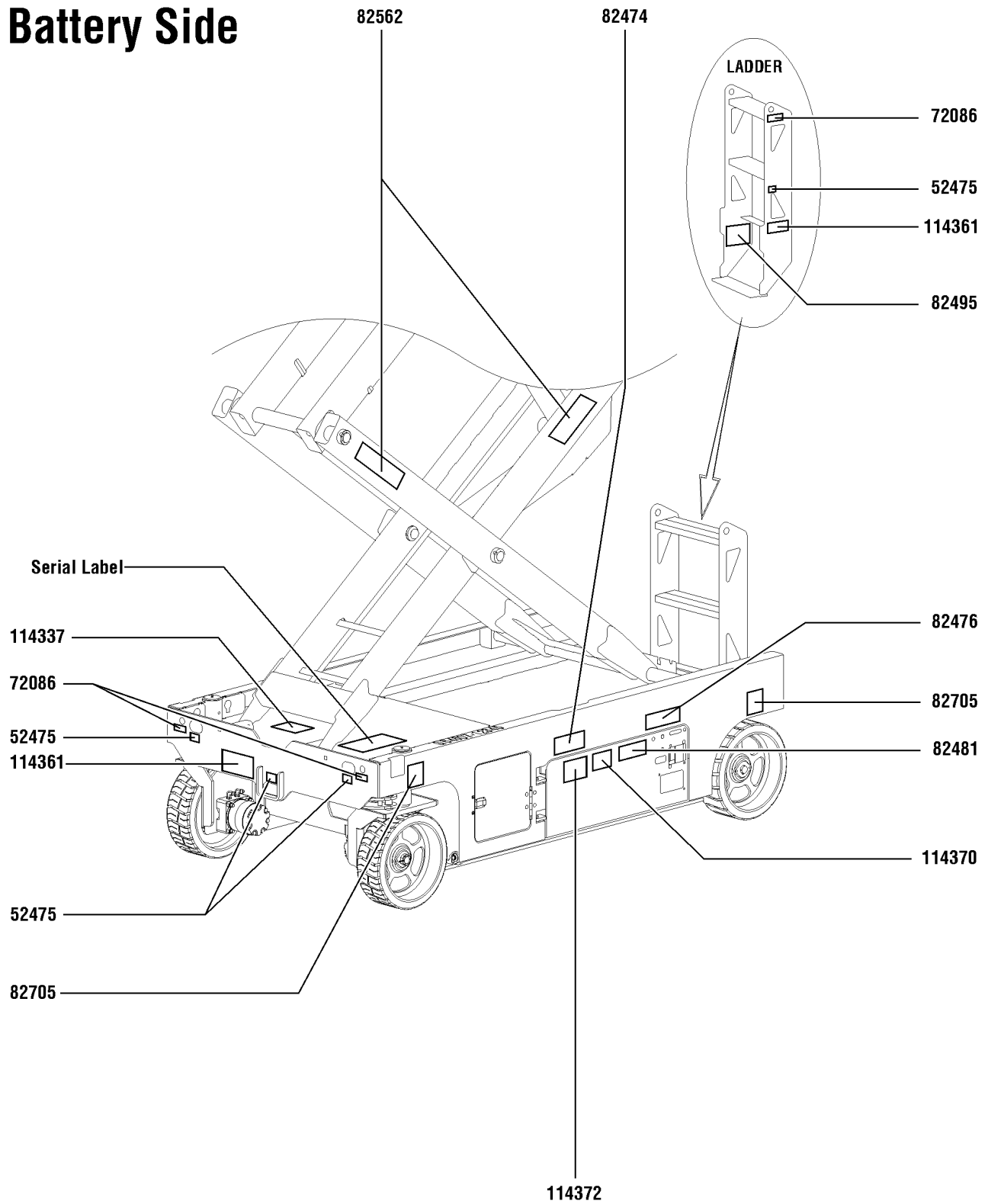


144.1 Symbol Decals, GS-2646, Platform, CE

Item	Part No.	Description	Qty.
--		REF: Symbol Decal Kits <i>(refer to 141.1)</i>	
1	28174	DECAL,POWER TO PLATFORM 230V.....	1
2	28235	DECAL,POWER TO PLATFORM 115V.....	1
3	40434	DECAL,LANYARD ANCHORAGE POINT.....	5
4	43618	DECAL,LABEL-DIRECTION ARROWS.....	2
5	44981	DECAL,LABEL,AIRLINE 110 PSI..... <i>(Option)</i>	1
6	62057	DECAL,COSMETIC,GENIE GS-2646.....	2
7	82487	DECAL,SYMBOL-READ THE MANUAL.....	1
8	82905	DECAL,SYM-SIDEFORCE 400N.....	1
9	114338	DECAL,SYM-TIP-OVR,TILT ALARM.....	1
10	137605	DECAL,E-STOP,GR/GRC/GS PCON.....	1
11	137636	UI, GR/GRC/GS PCON DECAL.....	1
12	137656	DECAL,PROPEL,GR/GRC/GS,PCON.1 <i>(models with 6 button, 2 speed controller) to SN GS4614A-134999 and to SN GS4614C-13999</i>	1
13	228939	DECAL,SYM,MAX CAP,CE,GS2646.....	1
14	1256702	DECAL, UI, GS/GR, PROP LIFT..... <i>(models with 4 button, proportional controller)</i>	1
15	1256703	DECAL, STD, PROP LIFT, UI, SVC..... <i>(units converted from 6 button, 2 speed lift to 4 button, proportional controller)</i>	1
16	1257923	DECAL, SMARTLINK PROPORTIONAL..... <i>(models with 4 button, proportional controller, and units converted from 6 button, 2 speed lift to 4 button, proportional controller)</i>	2

145.1 Symbol Decals, GS-3246, Battery Side, ANSI & CE

Battery Side

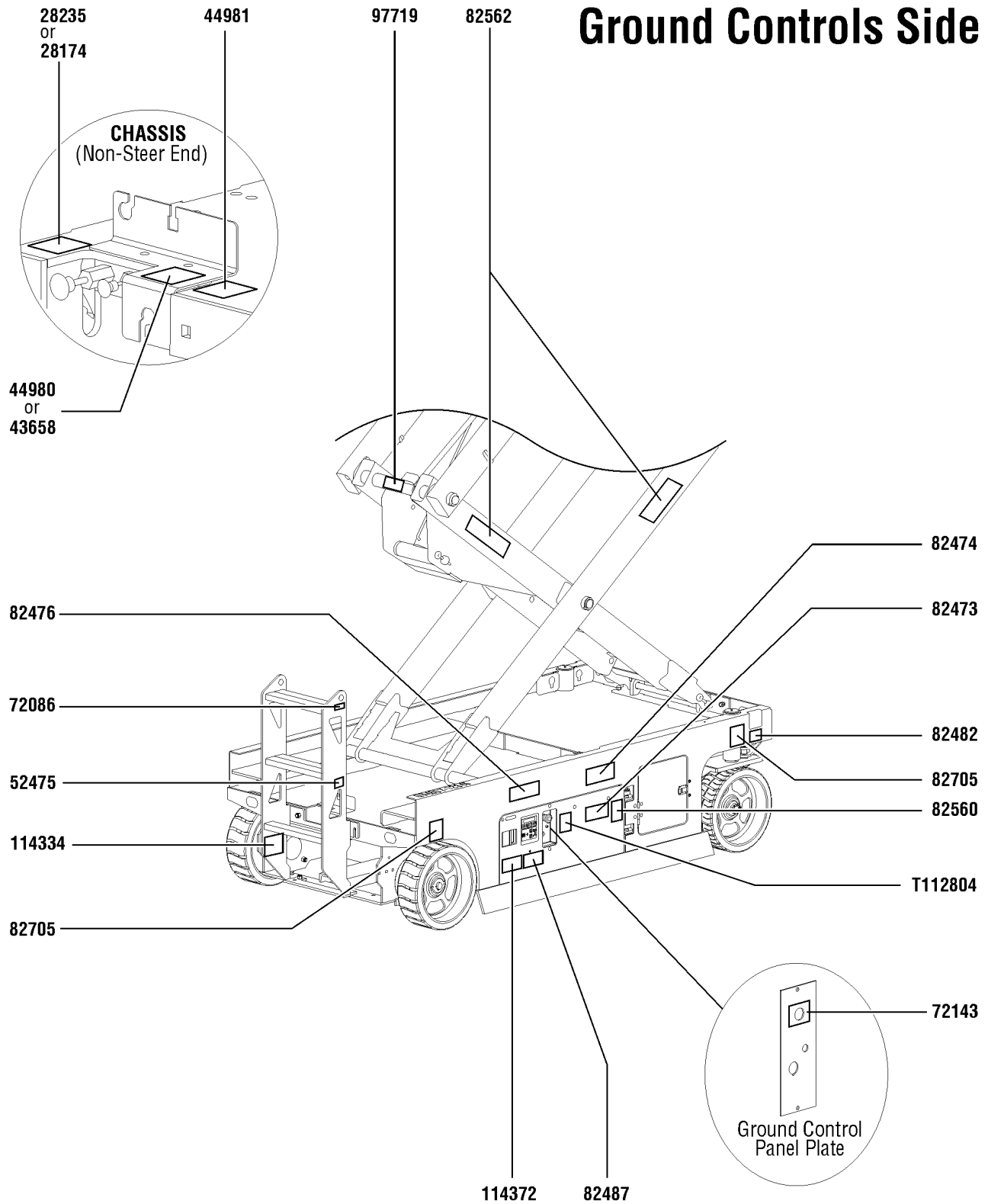


145.1 Symbol Decals, GS-3246, Battery Side, ANSI & CE

Item	Part No.	Description	Qty.
A	217285	DECAL KIT,3246 PLAT.,SYM,ANSI (ANSI models with 2 speed controller) to SN GS4614A-134999 and to SN GS4614C-13999	
B	217286	DECAL KIT,3246 COMP.,SYM,ANSI (ANSI models with 2 speed controller) to SN GS4614A-134999 and to SN GS4614C-13999	
C	217298	DECAL KIT,3246 PLAT.,SYM,CE (CE models with 2 speed controller) to SN GS4614A-134999 and to SN GS4614C-13999	
D	217299	DECAL KIT,3246 COMP.,SYM,CE (CE models with 2 speed controller) to SN GS4614A-134999 and to SN GS4614C-13999	
1	52475	DECAL,LABEL,TRANSPORT TIEDOWN*.....	4
2	72086	DECAL,LABEL,LIFTING EYE.....	3
3	82474	DECAL,SYMBOL-USE SAFETY ARM.....	1
4	82476	DECAL,SYMBOL-ELEC HAZARD,GS.....	1
5	82481	DECAL,SYMBOL-BATTERY SAFETY.....	1
6	82495	DECAL,SYMBOL-BRAKE REL SAFETY.....	1
7	82562	DECAL,SYMBOL-CRUSHING HAZARD.....	2
8	82705	DECAL,LABEL,WHEEL LOAD 3246.....	2
9	114337	DECAL,SYM-TIP-OVR,LIM SWITCH.....	1
10	114361	DECAL,LABEL-TRANSPORT DIGRAM.....	2
11	114370	DECAL-SYM-TIP-OVR,BATTRIES...	1
12	114372	DECAL,SYM-TIP-OVER,TRAYS.....	1

146.1 Symbol Decals, GS-3246, Ground Control Side, ANSI and CE

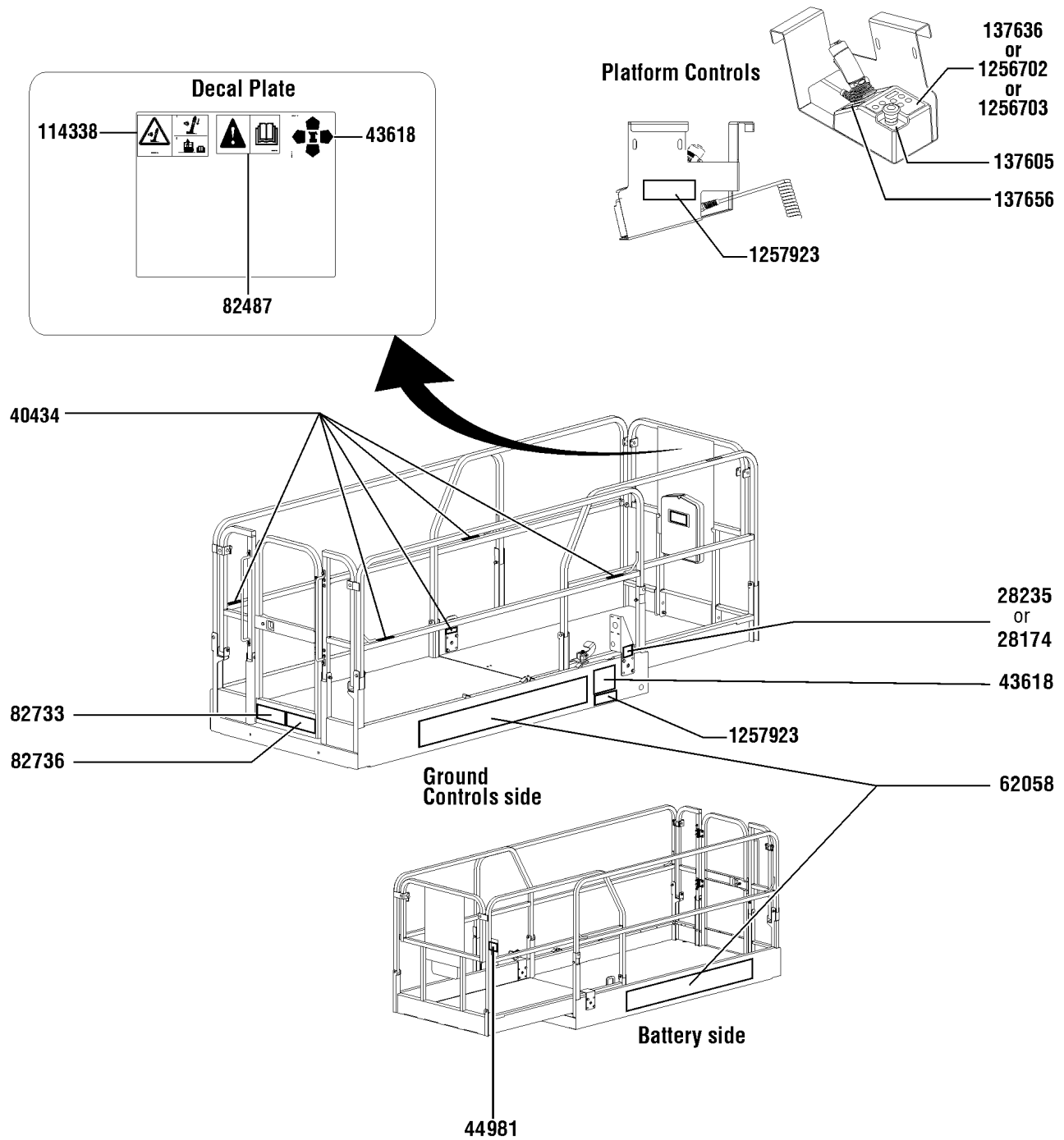
Ground Controls Side



146.1 Symbol Decals, GS-3246, Ground Control Side, ANSI and CE

Item	Part No.	Description	Qty.
1	28174	DECAL,POWER TO PLATFORM 230V.....	1
2	28235	DECAL,POWER TO PLATFORM 115V.....	1
3	43658	DECAL,LABEL,PWR TO CHARGR 230V.....	1
4	44980	DECAL,LABEL,PWR TO CHARGR 115V.....	1
5	44981	DECAL,LABEL,AIRLINE 110 PSI..... (Option)	1
6	52475	DECAL,LABEL,TRANSPORT TIEDOWN*.....	1
7	72086	DECAL,LABEL,LIFTING EYE.....	1
8	72143	DECAL,EMERGENCY STOP,GR.....	1
9	82473	DECAL,SYMBOL-COMP ACCESS.....	1
10	82474	DECAL,SYMBOL-USE SAFETY ARM.....	1
11	82476	DECAL,SYMBOL-ELEC HAZARD,GS.....	1
12	82482	DECAL, LABEL,AUX LOWERING....	1
13	82487	DECAL,SYMBOL-READ THE MANUAL.....	1
14	82560	DECAL,SYMBOL-SKIN INJECT HAZRD.....	1
15	82562	DECAL,SYMBOL-CRUSHING HAZARD.....	2
16	82705	DECAL,LABEL,WHEEL LOAD 3246.....	2
17	97719	DECAL, LABEL, SAFETY ARM SYMB.....	1
18	114334	DECAL,SYM-ELEC HAZARD,PLUG.....	1
19	114372	DECAL,SYM-TIP-OVER,TRAYS.....	1
20	T112804	DECAL,GCON PANEL,GS.....	1

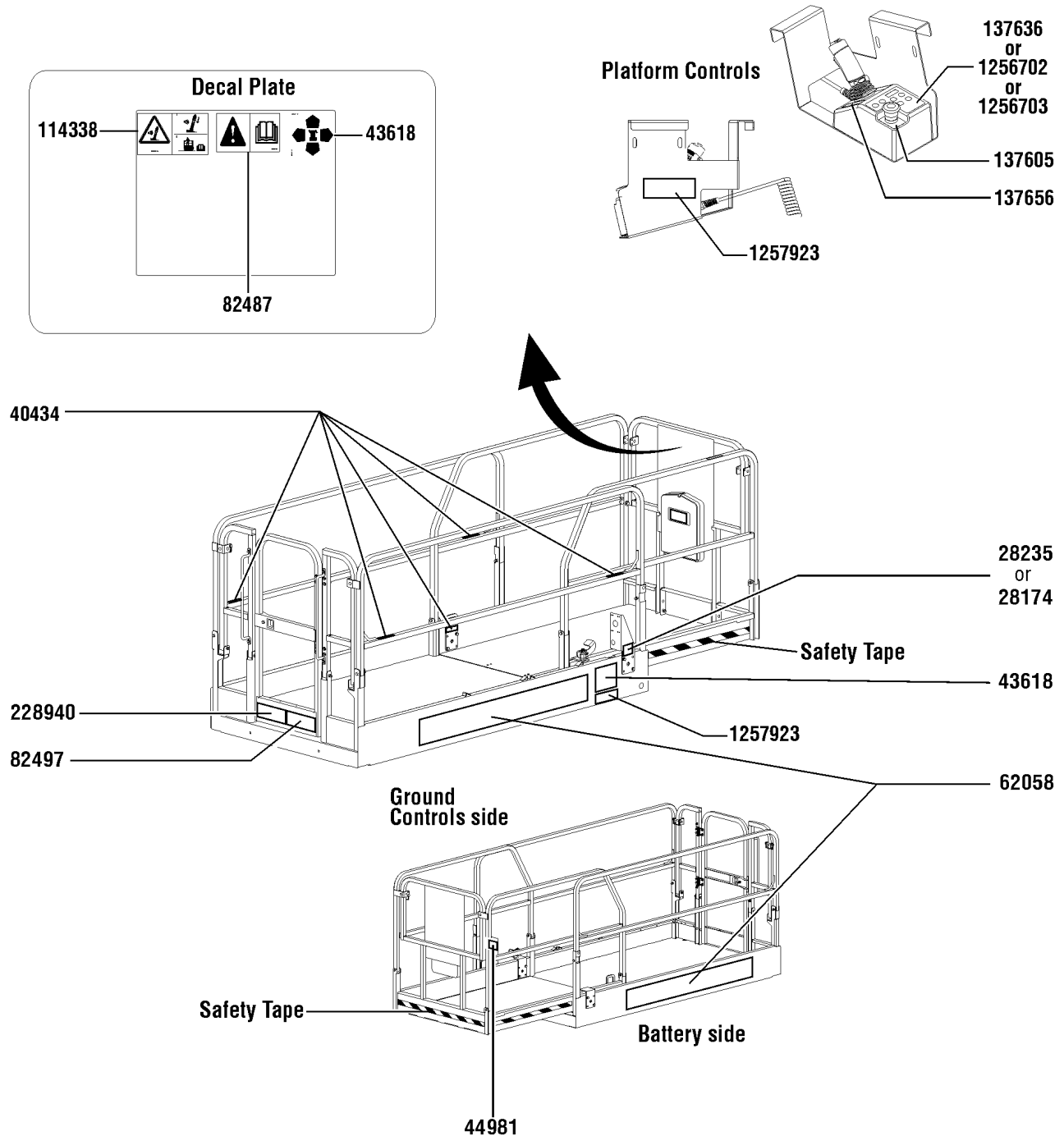
Platform, ANSI models



147.1 Symbol Decals, GS-3246, Platform, ANSI

Item	Part No.	Description	Qty.
--		REF: Symbol Decal Kits for ANSI and CE (refer to 145.1)	
1	28174	DECAL,POWER TO PLATFORM 230V.....	1
2	28235	DECAL,POWER TO PLATFORM 115V.....	1
3	40434	DECAL,LANYARD ANCHORAGE POINT.....	5
4	43618	DECAL,LABEL-DIRECTION ARROWS.....	2
5	44981	DECAL,LABEL,AIRLINE 110 PSI..... (Option)	1
6	62058	DECAL,COSMETIC,GENIE GS-3246.....	2
7	82487	DECAL,SYMBOL-READ THE MANUAL.....	1
8	82733	DECAL,SYM-MAXCAP 700.....	1
9	82736	DECAL,SYM-SIDE FORCE 3246.....	1
10	114338	DECAL,SYM-TIP-OVR,TILT ALARM.....	1
11	137605	DECAL,E-STOP,GR/GRC/GS PCON.....	1
12	137636	UI, GR/GRC/GS PCON DECAL..... (models with 6 button, 2 speed controller) to SN GS4614A-134999 and to SN GS4614C-13999	1
13	137656	DECAL,PROPEL,GR/GRC/GS,PCON.	1
14	1256702	DECAL, UI, GS/GR, PROP LIFT..... (models with 4 button, proportional controller)	1
15	1256703	DECAL, STD, PROP LIFT, UI, SVC..... (units converted from 6 button, 2 speed lift to 4 button, proportional controller)	1
16	1257923	DECAL, SMARTLINK PROPORTIONAL..... (models with 4 button, proportional controller, and units converted from 6 button, 2 speed lift to 4 button, proportional controller)	2

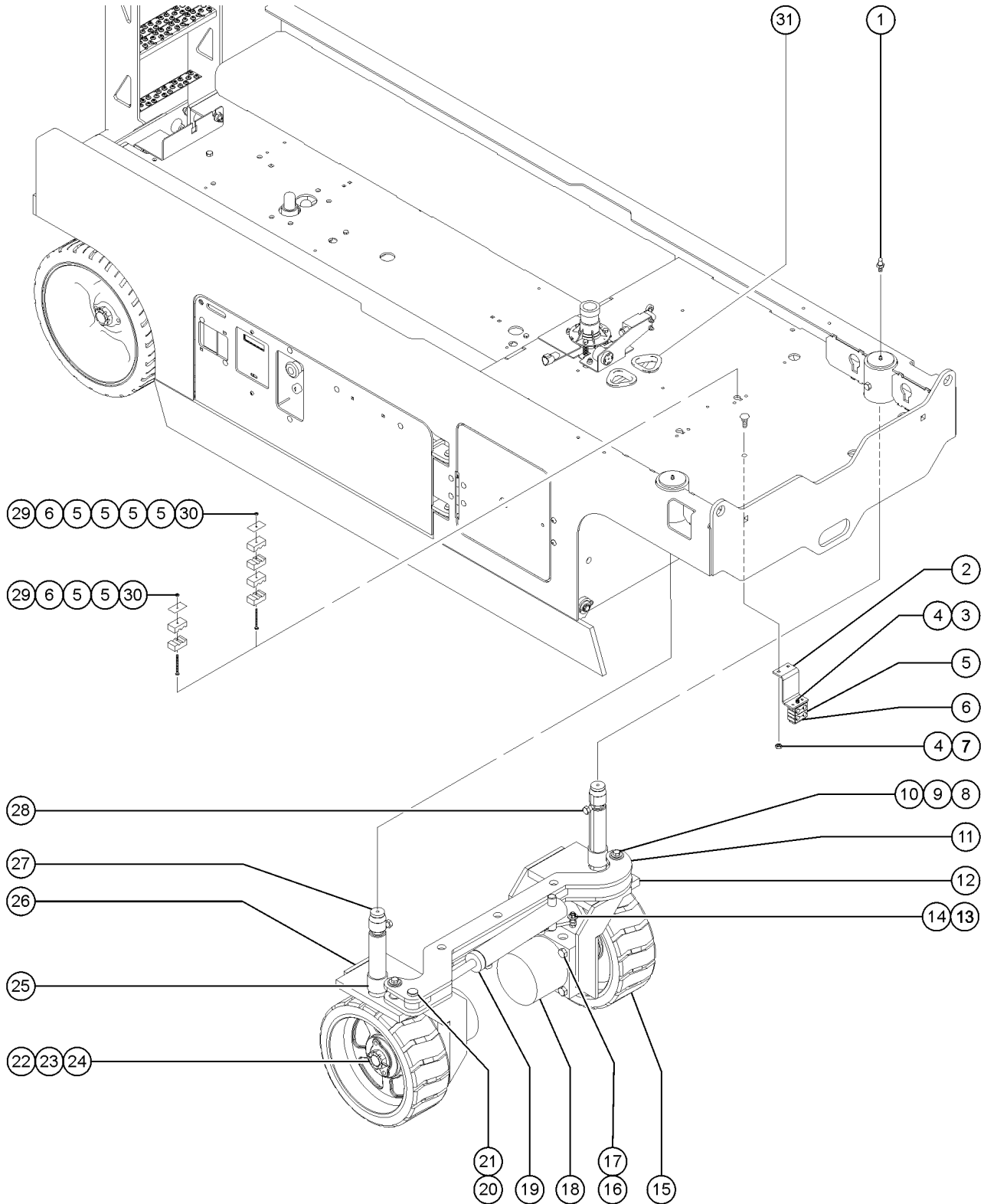
Platform, CE models



148.1 Symbol Decals, GS-3246, Platform, CE

Item	Part No.	Description	Qty.
--		REF: Symbol Decal Kits for ANSI and CE (refer to 145.1)	
1	28174	DECAL,POWER TO PLATFORM 230V.....	1
2	28235	DECAL,POWER TO PLATFORM 115V.....	1
3	40434	DECAL,LANYARD ANCHORAGE POINT.....	5
4	43618	DECAL,LABEL-DIRECTION ARROWS.....	2
5	44981	DECAL,LABEL,AIRLINE 110 PSI..... (Option)	1
6	62058	DECAL,COSMETIC,GENIE GS-3246.....	2
7	82487	DECAL,SYMBOL-READ THE MANUAL.....	1
8	82497	DECAL,SYM-SIDEFORCE 200400.....	1
9	114338	DECAL,SYM-TIP-OVR,TILT ALARM.....	1
10	137605	DECAL,E-STOP,GR/GRC/GS PCON.....	1
11	137636	UI, GR/GRC/GS PCON DECAL..... (models with 6 button, 2 speed controller) to SN GS4614A-134999 and to SN GS4614C-13999	1
12	137656	DECAL,PROPEL,GR/GRC/GS,PCON.	1
13	228940	DECAL,SYM-MAX CAP CE GS3246.....	1
14	1256702	DECAL, UI, GS/GR, PROP LIFT..... (models with 4 button, proportional controller)	1
15	1256703	DECAL, STD, PROP LIFT, UI, SVC..... (units converted from 6 button, 2 speed lift to 4 button, proportional controller)	1
16	1257923	DECAL, SMARTLINK PROPORTIONAL..... (models with 4 button, proportional controller, and units converted from 6 button, 2 speed lift to 4 button, proportional controller)	2

201.1 Steer Linkage and Wheels, GS-32 & GS-46

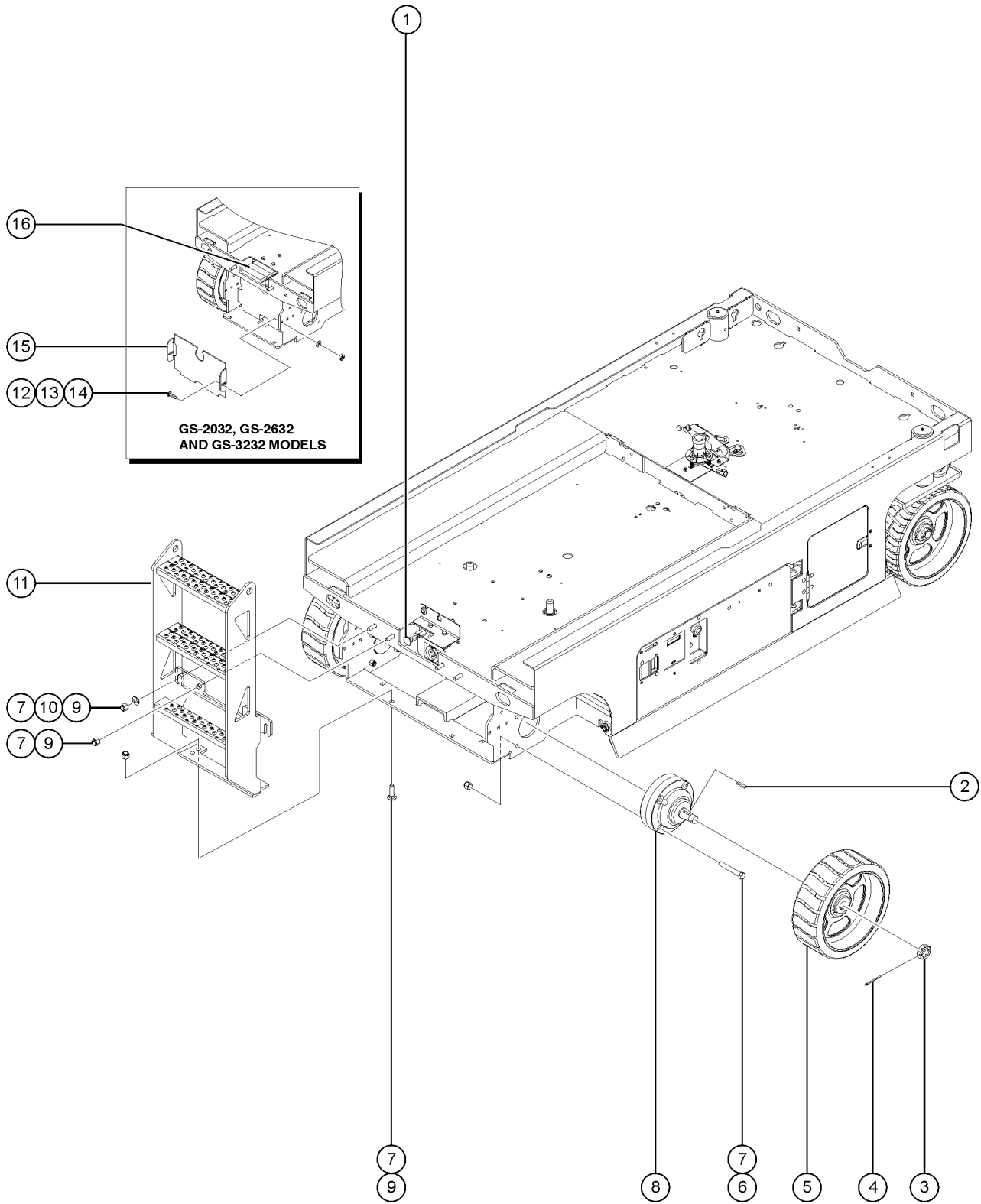


201.1 Steer Linkage and Wheels, GS-32 & GS-46

Item	Part No.	Description	Qty.	Item	Part No.	Description	Qty.
1	66770	FITTING,STRAIGHT DRIVE-IN ZERK.....	2	23	13635-10	PIN,COTTER,,156 X 1.75.....	2
2A	105051	FORMING,HOSE CLAMP SUPPORT.....	1	24	44781	KEY,RECTANGULAR,,31X.28X1.25"*	2
		<i>GS-32 models</i>		25	18722	BEARING,2.25IDX2.50ODX1.50L*	
2B	230364	FORMING,HOSE CLAMP SPT,PTD,BLU.....	1	26	96572	WLDMT,STEER YOKE,RT,GS32/46.....	1
		<i>GS-46 models</i>				<i>(ground controls side)</i>	
3	144374	SCREW,HHC,1/4-20X3.25,GR8		27	105565	WASHER,THRUST, GS.....	2
4	6091	NUT,NYLOCK,1/4-20		28	55917	SCREW, YOKE LOCK ALL SLABS	
5	78736	CLAMP,2 HOSE,PLASTIC,5/8 <i>(as required)</i>		29	18504	NUT,LOCKING-LG.FLANGE,1/4-20	
6	58592	PLATE,HOSE ROUTG,BULKHEAD(PTD) <i>(as required)</i>		30A	96905	BOLT,CARRIAGE,1/4-20 X 2.5,G2 <i>GS-2032, GS-2632, GS-2046, GS-2646</i>	
7	9116	BOLT,CARRIAGE,1/4-20 X 1.25,G2		30B	96903	BOLT,CARRIAGE,1/4-20 X 3.50,G2 <i>GS-3232, GS-3246</i>	
8	8255	SCREW,HHC,3/8-16 X .75		31	47232	GROMMET,RUBBER 2 X 2.75.....	2
9	15086	WASHER,FLAT,.375 X 1.5 X .125					
10	47946	BEARING,1.00IDX1.25ODX0.49L....	2				
11A	84699	TIE ROD ASSEMBLY, GS32.....	1				
		<i>GS-32 models</i>					
--	47946	BEARING,1.00IDX1.25ODX0.49L....	4				
--	96831	WLDMT,TIE ROD,GS32.....	1				
		<i>(does not include bearings)</i>					
11B	97267	TIE ROD ASSY, GS46.....	1				
		<i>GS-46 models</i>					
--	47946	BEARING,1.00IDX1.25ODX0.49L....	4				
--	96574	WLDMT,TIE ROD,GS46.....	1				
		<i>(does not include bearings)</i>					
12	96573	WLDMT,STEER YOKE,LT,GS32/46.....	1				
		<i>(battery pack side)</i>					
13	96423	RUE RING,3/4 PIN.....	1				
14	96907	PIN,CLEVIS,0.75 X 3.25".....	1				
15	105454	WHEEL & TIRE ASSY LP,15".....	2				
16	8357	SCREW,HHC,1/2-13 X 3.5					
17	6198	NUT,NYLOCK,1/2-13					
18		Ref. Drive Motor <i>(refer to 501.1)</i>					
19		Ref. Steer Cylinder <i>(refer to 501.1)</i>					
20	6545	PIN,CLEVIS,.75 X 2.....	1				
21	21253	CLIP,HAIR PIN .125 X 2.....	1				
22	44780	NUT,CASTLE,1.125-18 UNEF.....	2				



202.1 Non-steer Axle Installation, GS-32 & GS-46

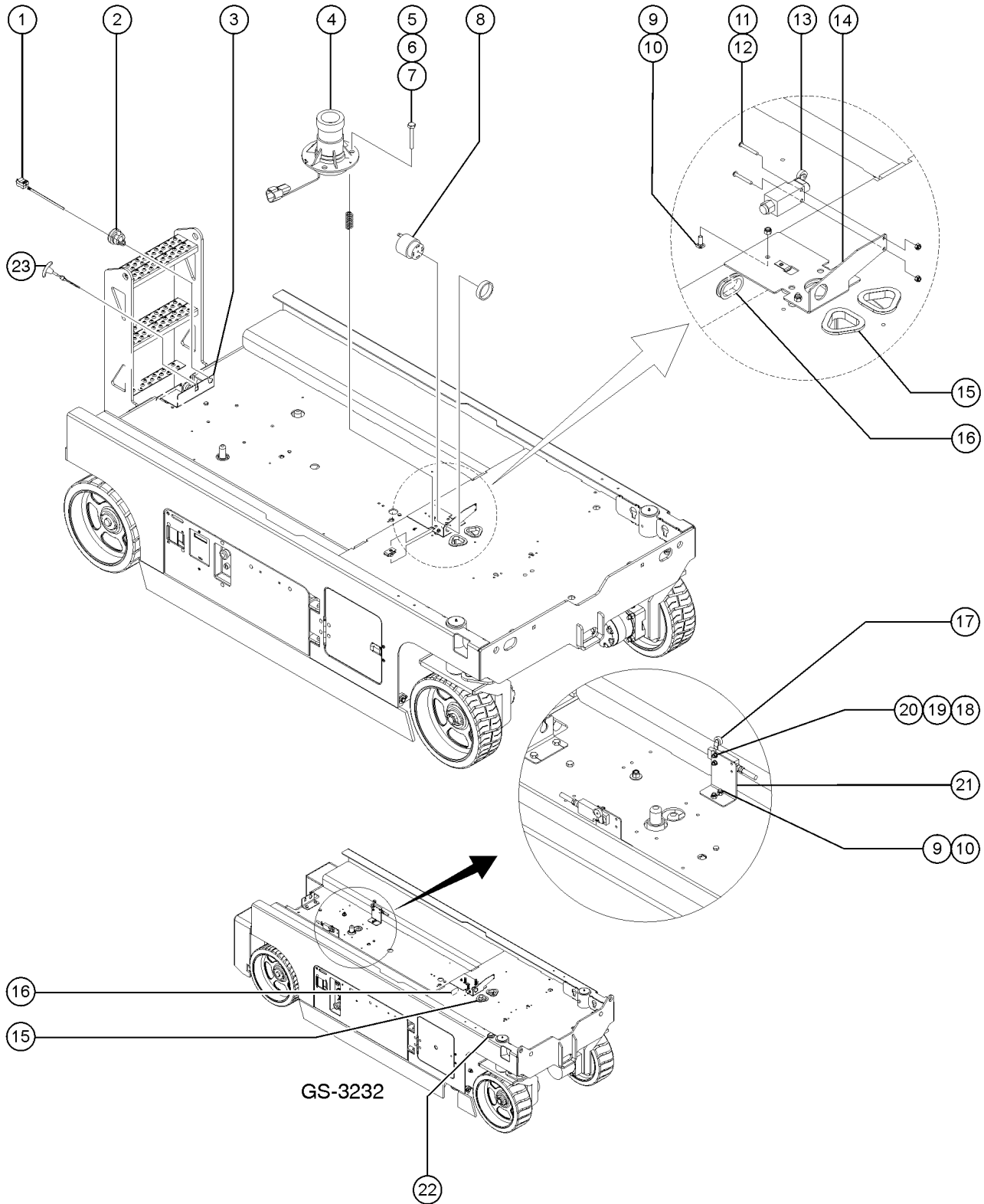


202.1 Non-steer Axle Installation, GS-32 & GS-46

Item	Part No.	Description	Qty.	Item	Part No.	Description	Qty.
1		REF: BRAKE RELEASE MANIFOLD <i>(refer to 503.1)</i>		16E	96876	COUNTERWEIGHT, BELLY.....1 GS-2646, GS-3246 <i>(inside front center of chassis)</i>	
2	44781	KEY,RECTANGULAR,.31X.28X1.25".2					
3	44780	NUT,CASTLE,1.125-18 UNEF.....2					
4	42079	PIN,COTTER,.156 X 2.5.....2					
5		REF: WHEEL & TIRE ASSY <i>(refer to 201.1)</i>					
6	8357	SCREW,HHC,1/2-13 X 3.5					
7	6198	NUT,NYLOCK,1/2-13					
8		REF: HYDRAULIC BRAKE <i>(refer to 501.1)</i>					
9	96203	BOLT,CARRIAGE,1/2-13X1.75, G5					
10	13066	WASHER,FLAT,.5 HARDENED.....2					
11A	96570	WLDMT,GS32/46 LADDER***.....1 GS-2632, GS-2646, GS-3232, GS-3246 <i>(decals not included refer to section one)</i>					
11B	96895	WELDMENT,20XX LADDER GS-2032, GS-2046 <i>(decals not included refer to section one)</i>					
12A	105092	BOLT,CARRIAGE,3/8-16X1.25,GR5 GS-2032, GS-2632					
12B	96203	BOLT,CARRIAGE,1/2-13X1.75, G5 GS-2046, GS-2646, GS-3246					
12C	60790	BOLT,CARRIAGE,3/8-16 X1.50,G5 GS-3232					
13	6097	WASHER,FLAT,USS,3/8",Y					
14A	4828	NUT,NYLOCK,3/8-16 GS-2032, GS-2632, GS-3232					
14B	6198	NUT,NYLOCK,1/2-13 GS-2046, GS-2646, GS-3246					
15A	105140	FORMING,CWT,COVER,GS32 GS-2032, GS-2632, GS-3232 <i>(shown)</i>					
15B	96886	FORMING, CWT CLAMP GS-2046, GS-2646, GS-3246					
16A	105080	COUNTERWEIGHT,GS32,REAR.....1 GS-2032, GS-3232 <i>Australia & CE (inside rear chassis)</i>					
16B	105080	COUNTERWEIGHT,GS32,REAR.....1 GS-2632 <i>ANSI, Australia & CE (inside rear chassis)</i>					
16C	105100	PLATE,CWGT,GS32 REAR.....1 GS-2632 & GS-3232 <i>(rear stack plate)</i>					
16D	96887	CWT, REAR, XX46 GS-2046, GS-2646, GS-3246 <i>Australia & CE (inside rear chassis)</i>					



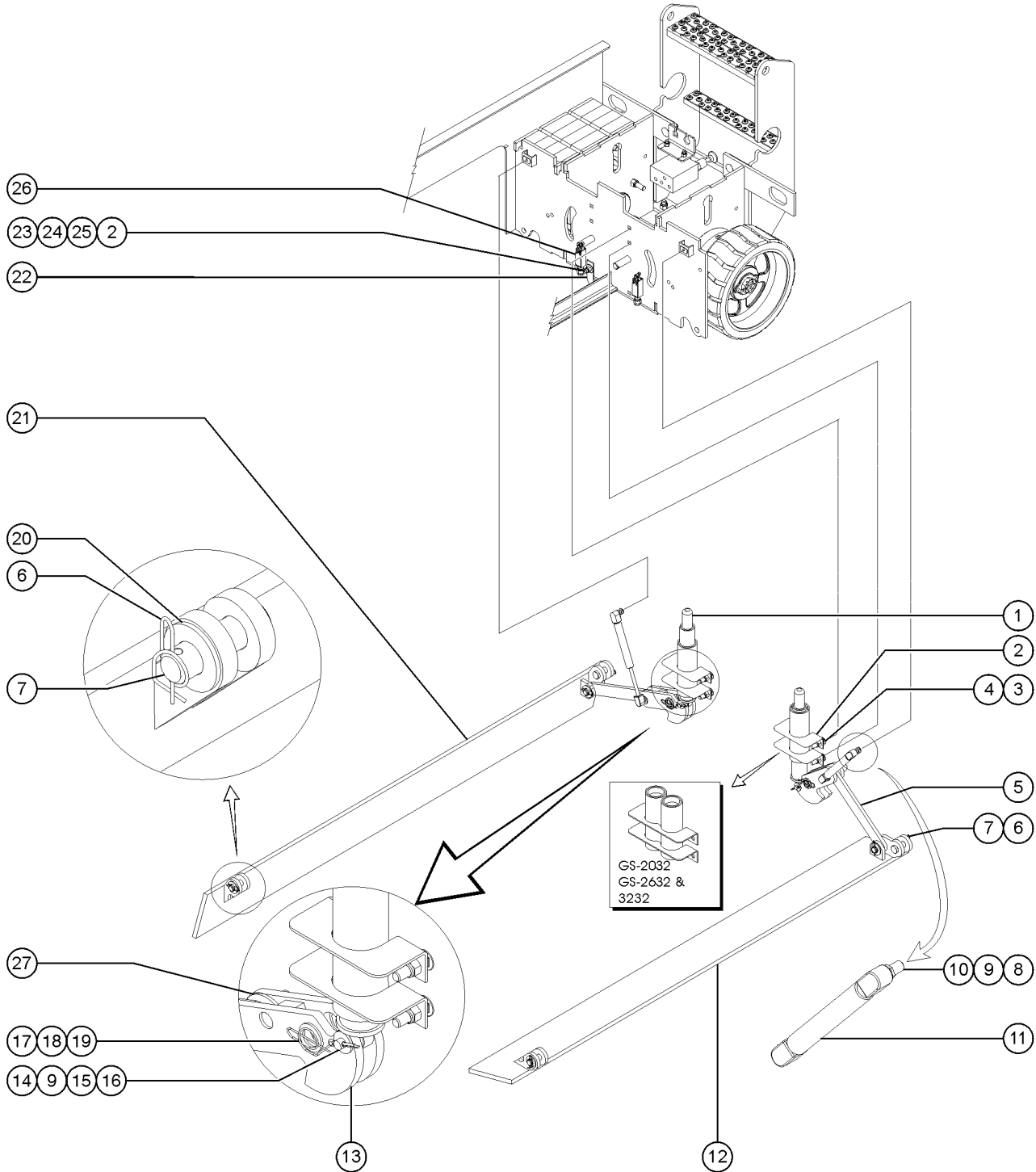
203.1 Level Sensor Installation, GS-32 & GS-46



203.1 Level Sensor Installation, GS-32 & GS-46

Item	Part No.	Description	Qty.
1		REF. Electrical Plugs and Cords (refer to 403.1)	
2	128118	BUSHING, STRAIN RELIEF, .875/.40.....	1
3	144226	FORMING, REC. PLUG BRKT.....	1
4	228406	ASSY, LVL SNSR W/ CONNECTOR.....	1
5	6637	SCREW, HHC, 1/4-20 X 1.75	
6	39469	SPRING, COMPRESSION.485 X1.75**.....	3
7	56912	SPRING CLIP, 1/4-20, .025-.15X.5.....	3
8	39540	ALARM, STEADY TONE*** <i>Does not include 72326 nut</i>	1
--	72326	NUT - PLASTIC, RING FOR ALARMS	
9	6878	BOLT, CARRIAGE, 1/4-20 X .75, G2	
10	6091	NUT, NYLOCK, 1/4-20	
11	16487	SCREW, RHM, 10-32 X 1.5	
12	6178	NUT, NYLOCK, 10-32	
13	T112507	ASSEMBLY, DOWN LIMIT, GS..... (Includes plug)	1
--	19491	CONTACTOR, LIMIT SWITCH	
--	96948	SWITCH, LIMIT, W/ROLLER ARM***	
--	97128	ROLLER ARM, LIMIT SWITCH***	
14	96870	FORMING, ALARM BRACKET.....	1
15	47232	GROMMET, RUBBER 2 X 2.75.....	2
16	47238	GROMMET, RUBBER 1.5 ID.....	1
17	105664	ASSY, 22 FT LIMIT SWITCH, GS3232.....	1
--		REF. Wire Harness Assy GS-3232 (refer to 210.1)	
18	18605	NUT, NYLOCK, 8-32	
19	35461	WASHER, FLAT, MS, #8, Y	
20	54380	SCREW, PHILLIPS, PHM, 8-32 X .875	
21	105736	FRMING, LMT SWCH BRKT, 3232....	1
22	6714	LEVEL, BUBBLE..... GS-3232	1
23	39232	CABLE, EMERGENCY DOWN.....	1

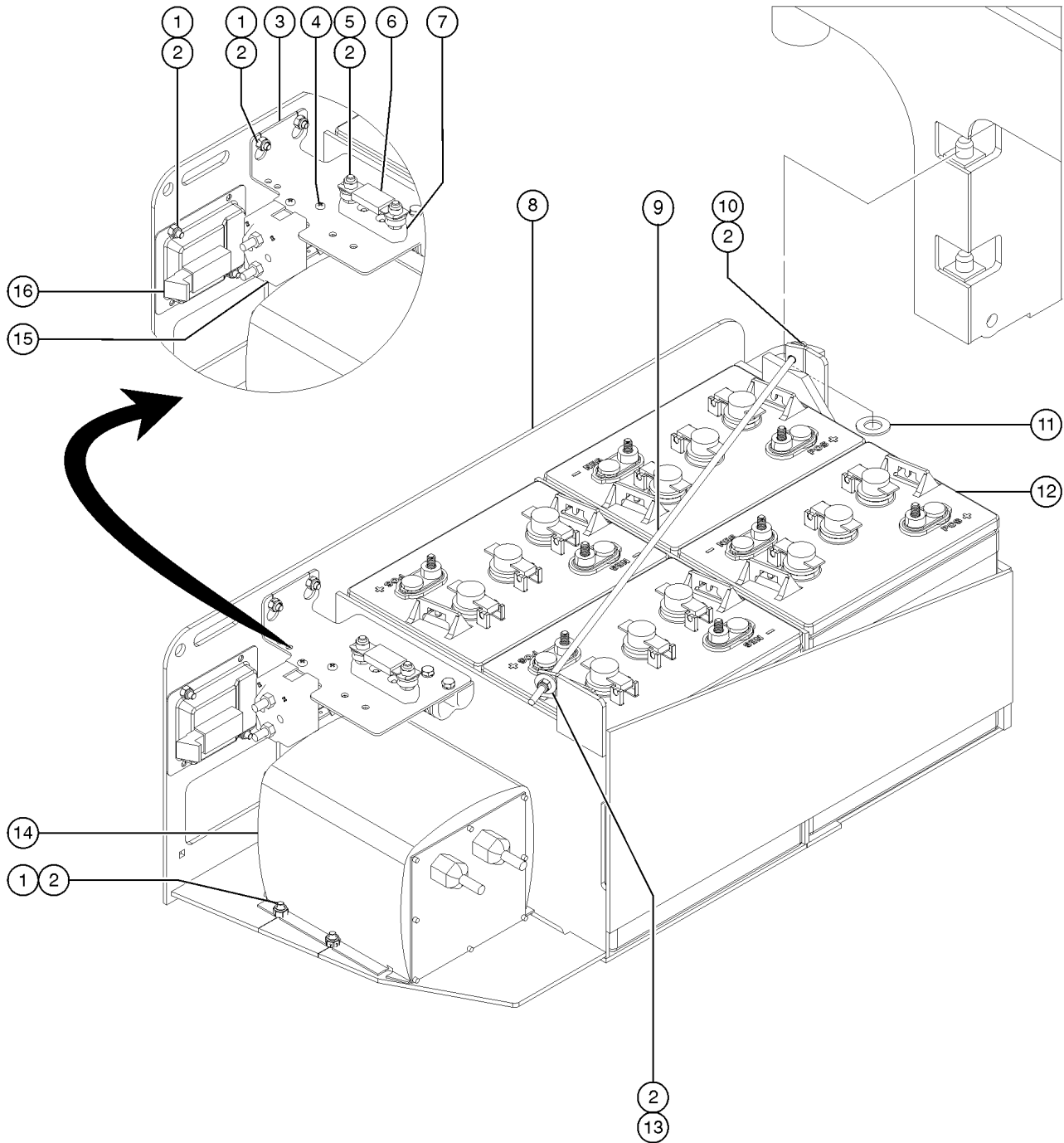
204.1 Pothole Protection Assembly, GS-32 & GS-46



204.1 Pothole Protection Assembly, GS-32 & GS-46

Item	Part No.	Description	Qty.	Item	Part No.	Description	Qty.
1	96839	ASSY,POT HOLE PUSHER,GS***		23	64154	BOLT,CARRIAGE,3/8-16 X1.00,G5	
2A	96524	WLDMT/ASSY, PH GUIDE,GS30/32.....2 GS-32 models	2	24	6700	WASHER,STAR,EXTERNAL,.375	
--	96408	BEARING,1.523IDX1.75ODX0.63L		25	6097	WASHER,FLAT,USS,3/8",Y	
2B	105069	WLDMT/ASSY,PH GUIDE,GS46.....2 GS-46 models	2	26	96948	SWITCH,LIMIT,W/ROLLER ARM***.....2 (down limit switch)	2
--	96408	BEARING,1.523IDX1.75ODX0.63L		--	19491	CONTACTOR,LIMIT SWITCH	
3	60790	BOLT,CARRIAGE,3/8-16 X1.50,G5		--	97128	ROLLER ARM,LIMIT SWITCH***	
4	4828	NUT,NYLOCK,3/8-16		27	96085	WASHER,THRUST,.63 X 1.13 X .06	
5	96637	PLATE, POTHOLE LINK.....2	2				
6	96422	RUE RING,5/8 PIN					
7	96135	PIN,CLEVIS,.625 X 1.88,ZINC PL...4	4				
--	105156	BUSHING,FLNGD,.63 X .77 X .38...4 (sold seperately)	4				
8	96643	PIN, POTHOLE LINK PIVOT.....2	2				
9	5397	WASHER,FLAT,USS,5/16",Y					
10	78086	BALL STUD, GAS STRUT, 3/8-16					
11	39542	GAS SHOCK,SCISSORS***.....2	2				
12A	96639	WELDMENT, POTHOLE, LEFT SIDE.....1 GS-2032, GS-2632, GS-2046, GS-2646, GS-3246 (battery pack side)	1				
12B	109894	WLDMT,POTHOLE,LT,OR.....1 GS-3232 (battery pack side)	1				
13	84574	POTPLE BELL CRNK LINK ASSYGS30.....2	2				
--	96642	BEARING,0.75IDX1.00ODX1.38L					
14	12016	PIN,COTTER,.125 X .75					
15	34742	PIN,CLEVIS,.375 X 1.75 LG.....2	2				
16	96541	CAM FOLLOWER,1.125X.375,DELRIN...2	2				
17	96423	RUE RING,3/4 PIN					
18	6564	WASHER,SHIM,.765X1.312 X.093**					
19	55355	SPACER,.75ID X 1.5OD X 1/4THK					
20	6898	WASHER,SHIM,.625 X 1.188X.064					
21A	96638	WELDMENT, POTHOLE, RIGHT SIDE.....1 GS-2032, GS-2632, GS-2046, GS-2646, GS-3246 (ground controls side)	1				
21B	109893	WLDMT,POTHOLE,RT,OR.....1 GS-3232 (battery pack side)	1				
22	105060	GROUND STRAP, 8"LG.....1	1				

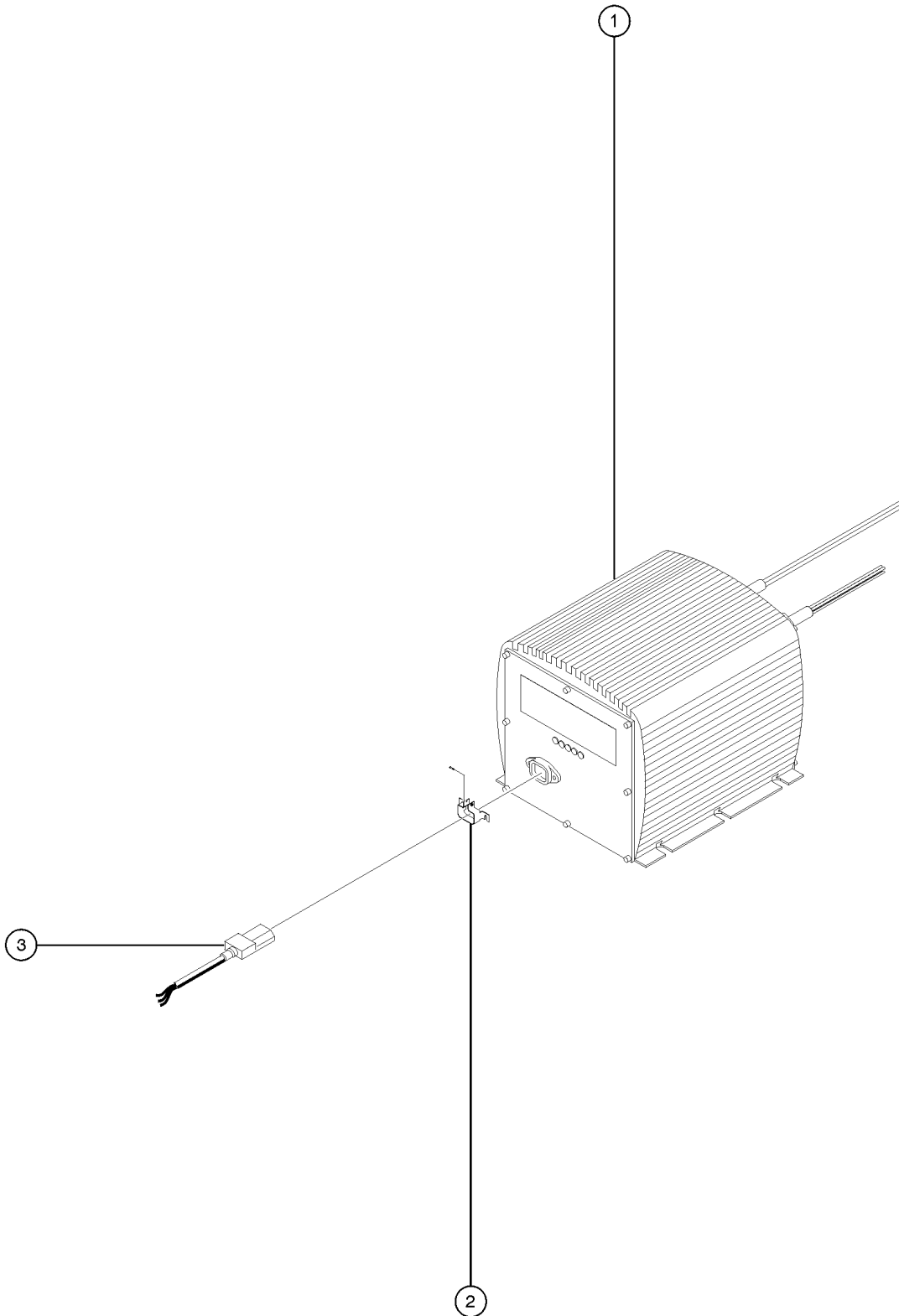
205.1 Battery Pack Module



205.1 Battery Pack Module

Item	Part No.	Description	Qty.
1	6878	BOLT,CARRIAGE,1/4-20 X .75,G2	
2	6091	NUT,NYLOCK,1/4-20	
3	232531	FORMING,CONTACTOR MOUNT,GS.....1	1
4	49818	SCREW,PHILLIPS,PHM,10-32 X .38	
5	13000	SCREW,HHC,5/16-18 X 1.25	
6	40833	FUSE,275 AMP,VERY FAST ACTING.....1	1
7	66717	FUSE BLOCK, ANN & ANL FUSE...1 (includes mounting fasteners)	1
8	105467	WLDMT,GS BATTERY TRAY.....1	1
9	30784-2550	THREADED ROD,(1/4-20),25.50.....1	1
10	6889	NUT,LP NYLOCK,1/4-20	
11	33278	WASHER,FLAT,.75 HARDENED	
12A	76502	BATTERY,T105 W/LPT,3 CAP,DRY**.....4	4
--	18503	NUT,LOCKING-LG.FLANGE,5/16-18	
12B	105150	BATTERY,MAINTENANCE FREE,6V***.....4	4
13	6638	WASHER,FLAT,USS,1/4"Y	
14		Ref. Battery Charger (refer to 206.1)	
15	74267	CONTACTOR,DRIVE,24V,180A***...1	1
16	55675	LATCH, LRG PADDLE HANDLE GS90.....1	1

206.1 Battery Charger

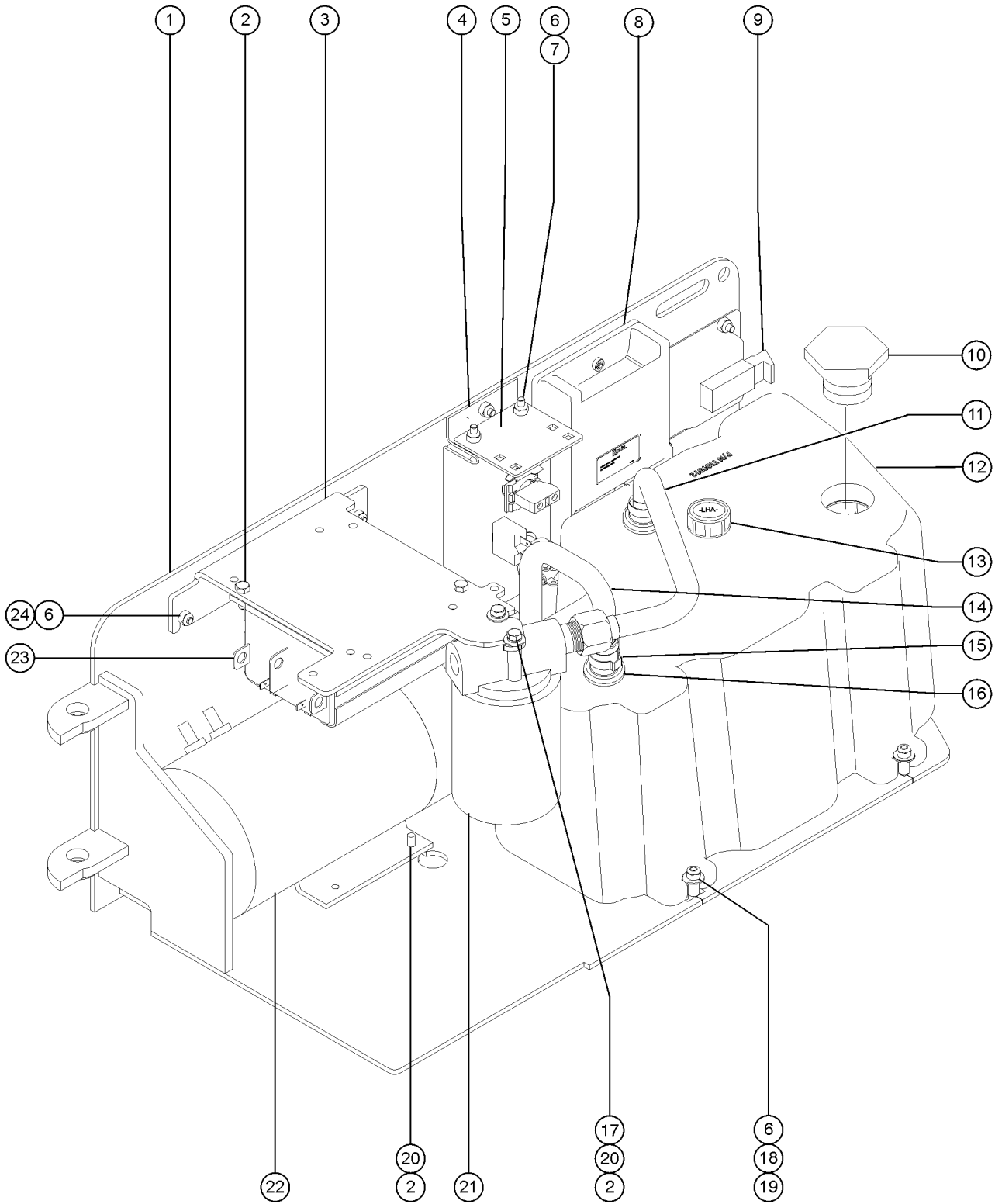


206.1 Battery Charger

Item	Part No.	Description	Qty.
--	105334	CONNECTOR, IEC CHARGER CORD <i>for 5-LED battery charger</i>	
--	97059	FUSE, BATTERY CHARGER*** <i>for 5-LED battery charger</i>	
1	105739	CHARGER, BAT, 24VDC, H/LO GEN2.....1	1
--	144180	MANUAL, OWNERS, CHARGER, 105739	
1A	105739	CHARGER, BAT, 24VDC, H/LO GEN2.....1 <i>Signet battery charger. NOTE: Some machines are equipped with an alternative-brand battery charger. Inspect your machine before ordering OR contact Genie Service Parts if needed.</i>	1
--		Ref. Field Assembly Recessed Charger Plug <i>(refer to 403.1)</i>	
--	144180	MANUAL, OWNERS, CHARGER, 105739	
1B		Ref. Field Assembly Recessed Charger Plug <i>(refer to 403.1)</i>	
1C	219480	KIT, BATTERY CHARGER, 24V <i>(includes 105739 charger, fasteners, ring terminals and instructions for field installation)</i>	
2	55010	LOCK, CONNECTOR.....1 <i>(includes fasteners)</i>	1
3	144130	POWER CORD, IEC 320, 115".....1	1



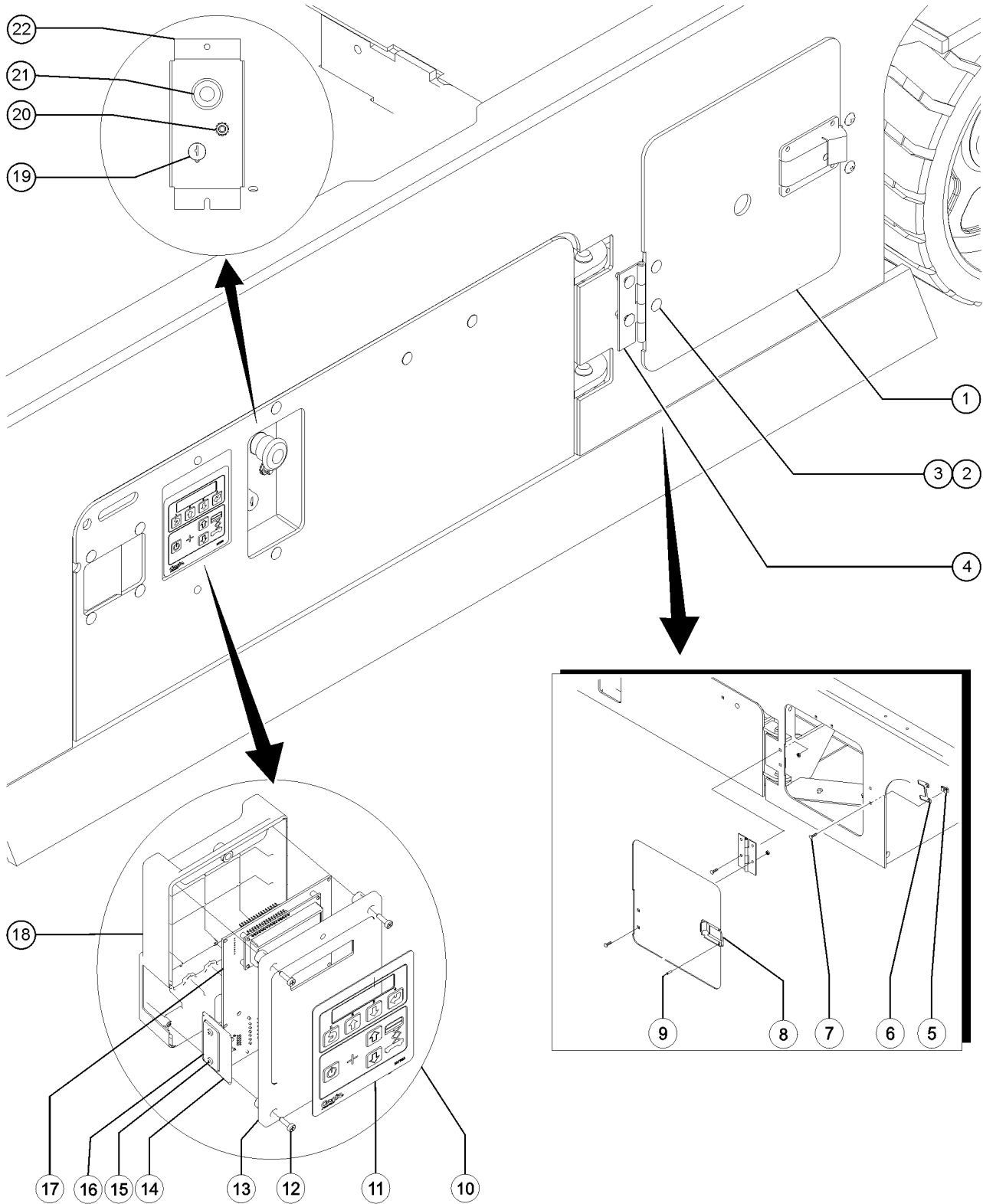
207.1 Power Unit Module



207.1 Power Unit Module

Item	Part No.	Description	Qty.	Item	Part No.	Description	Qty.
1A	231114	HYDR TRAY ASSY W/WORDS.....1		23A	1257204	KIT,MTR CNTRLR REPLACEMENTGS30%.....1 <i>up to SN GS3214A-135715</i>	
--	T113296	WELDMENT,GS HYD TRAY <i>decals not included, refer to section one</i>		--	823408	MOTOR CONTROLLER, DC,24V,300A.....1 <i>replaced 218236</i>	
1B	231167	HYDR TRAY ASSY,GS30 W/SYMBOLS.....1		23B	1257205	KIT,MTR CNTL.REPLACEMENT,GS46%.....1 <i>up to SN GS4614A-135367</i>	
--	T113296	WELDMENT,GS HYD TRAY <i>decals not included, refer to section one</i>		--	823408	MOTOR CONTROLLER, DC,24V,300A.....1 <i>replaced 218236</i>	
2	6090	SCREW,HHC,1/4-20 X .75		24	6878	BOLT,CARRIAGE,1/4-20 X .75,G2	
2	8915	SCREW,HHC,1/4-20 X 1.25 <i>replaced 6090</i>					
3	105308	FORMING, FILTER-CNTRLR MOUNT.....1					
4		REF. FORMING,CONTROL PANEL <i>refer to figure 208.1</i>					
5	T108326	PLATE,HARNES MOUNT.....1					
6	6091	NUT,NYLOCK,1/4-20					
7	6878	BOLT,CARRIAGE,1/4-20 X .75,G2					
8		REF. GCON <i>refer to figure 208.1</i>					
9	55675	LATCH, LRG PADDLE HANDLE GS90.....1					
10	66204	FILLER CAP(PLUG 1-1/2" NPT HEX.....1					
11	96355	TUBE, ASSY, RETURN.....1					
12	226163	HYD. TANK KIT, GS30,32,46 <i>includes items 15 and 16</i>					
--	T109012	TANK,HYD, SLAB SCISSORS.....1					
13	78546	BREATHER CAP,HYD. TANK,1/4 NPT.....1					
14	96354	TUBE, ASSY, DRAW.....1					
15	96855	CLAMP,HOSE,1 EAR,1-1/16***2					
16	96709	GROMMET,SLAB HYD TANK***2					
17	6638	WASHER,FLAT,USS,1/4"Y					
18	96699	SLEEVE,TANK SUPPORT					
19	9116	BOLT,CARRIAGE,1/4-20 X 1.25,G2					
20	6356	WASHER,LOCK,.25					
21		REF. FILTER ASSY <i>refer to figure 501.1</i>					
22		REF. ELECTRIC MOTOR/PUMP <i>refer to figure 504.1</i>					
23	218236	CONTROLLER,MOTOR.....1					

208.1 Ground Controls

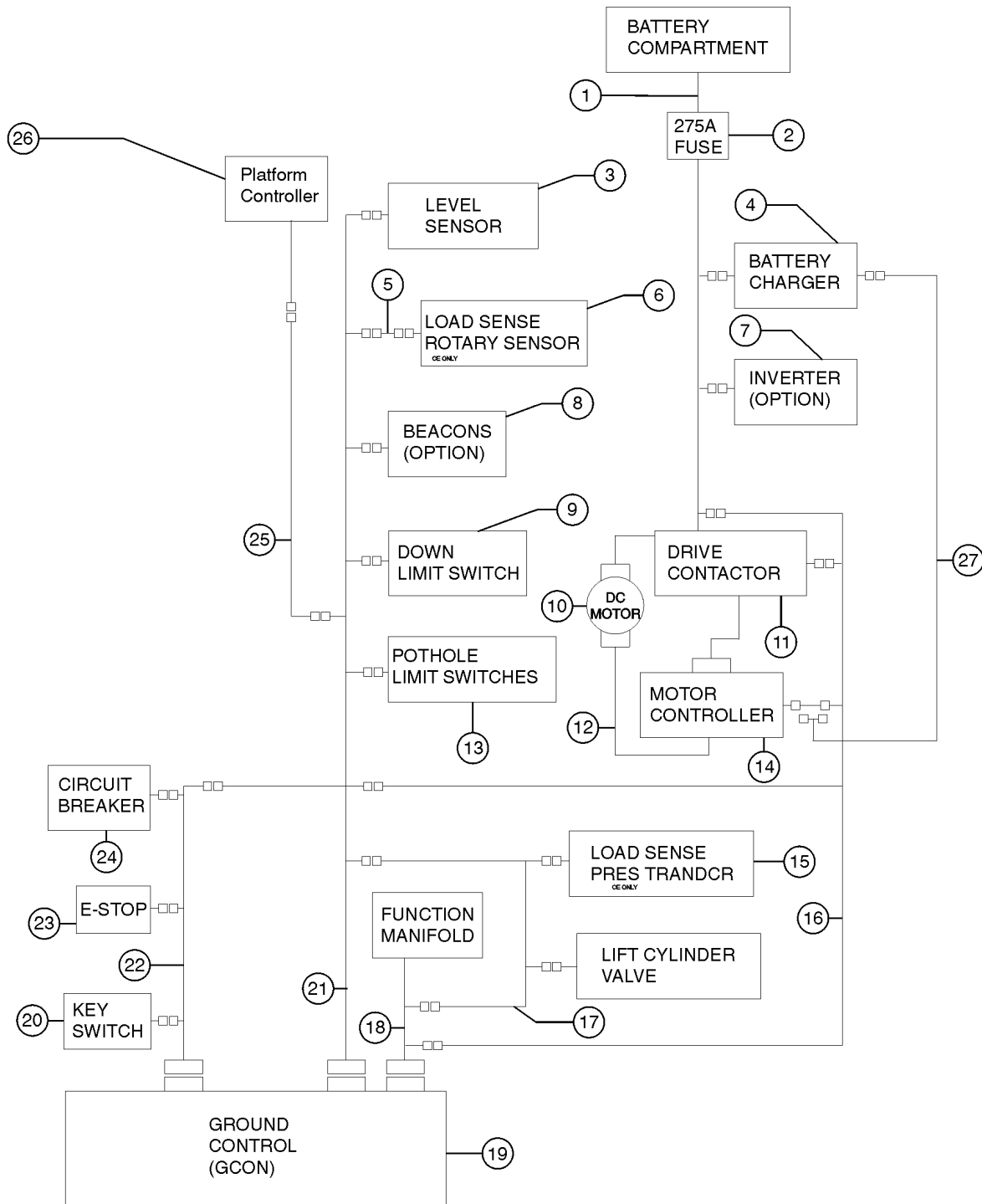


208.1 Ground Controls

Item	Part No.	Description	Qty.	Item	Part No.	Description	Qty.
1	105732	PLATE,SIDE DOOR***	1	17A	137604	PCBA, GC21-19	1
2	6878	BOLT,CARRIAGE,1/4-20 X .75,G2	4			GS-2032, GS-2632, GS-2046, GS-2646, GS-3246 (models with 6 button, 2 speed controller) to SN GS14A-134999 and to SN GS14C-13999	
3	6091	NUT,NYLOCK,1/4-20	4	17B	137564	PCBA, GC27-25	1
4	105734	HINGE,ACCESS DOOR(13G)	1			GS-3232 (models with 6 button, 2 speed controller) to SN GS14A-134999	
5	56912	SPRING CLIP,1/4-20,.025-.15X.5	2	17C	1256719	PCBA,GCON STD,PROP LIFT	1
6	105572	PLATE,SIDE DOOR STOP***	1			GS-2032, GS-2632, GS-2046, GS-2646, GS-3246 (models with 4 button, proportional controller) from SN GS14A-135000 and from GS14C-14000	
7	43137	SCREW,PHM,1/4-20 X .75	2	17D	1256720	PCBA,GCON O/R,PROP LIFT	1
8	105759	LATCH,COMPRESSION,SMALL	1			GS-3232 (models with 4 button, proportional controller) from SN GS14A-135000	
9	6272	RIVET,STL,ST.MAN,P,.125 X .25	4	18A	T106372	ENCLOSURE, GC21-19, BK	1
10A	137692	GCON, GR/GRC/GS	1			GS-2032, GS-2632, GS-2046, GS-2646, GS-3246	
--	137673	LABEL, SERIAL, GC21-19	1	18B	T106371	ENCLOSURE, GC27-25, BK (GS-3232)	1
10B	137644	GCON,GS3232	1			KEYSWITCH,3 POS.W/KEYS***	1
--	137647	LABEL,SERIAL,GC27-25 (GS-3232)	1	--	37947	KEYS,10 PACK*** (sold seperately)	
10C	1256721	GCON,STD,PROP LIFT	1	--	83093	KEY SINGLE*** (sold seperately)	
		GS-2032, GS-2632, GS-2046, GS-2646, GS-3246 (models with 4 button, proportional controller) from SN GS14A-135000 and from GS14C-14000		--	85239	NUT,RETAINER (96008) (sold seperately)	
10D	1256722	GCON,O/R,PROP LIFT	1	--	96009	WASHER,NITRILE (sold seperately)	
		GS-3232 (models with 4 button, proportional controller) from SN GS14A-135000		--	96010	SCREW,PHILLIPS,PHM,8-32 X.25** (sold seperately)	
--	1256808	LABEL,GCON O/R,SERIAL (GS-3232)	1	20	96452	CIRCUIT BREAKER,7.0 AMP***	1
11	137562	DECAL,MEMBRANE, GR/GRC/GS GCON	1	--	122994	NICKEL PLATED JAM NUT	
12	137668	SCREW,PHM,6-19X.75, 48-2 TRI-L	4	--	6700	WASHER,STAR,EXTERNAL,.375	
13	T106366	ENCLOSURE,GC27-25/GC21-19,FRNT	1	21	66812	BUTTON,PUSH,RED MUSHROOM HEAD	1
14	T106363	ADAPTER, RJ45, GC27-25/GC21-19	1	--	58627	NUT	
15	137637	SCREW,PHM,4-20X.5, 48-2 TRI-L	2	--	66817	BASE WITH 1 NC CONTACT, E-STOP	
16	T106362	COVER, RJ45, GC27-25/GC21-19	1	22	T108327	FORMING,CONTROL PANEL	1



209.1 Electrical Wiring, GS-2032, GS-2632, GS-2046, GS-2646, GS-3246



209.1 Electrical Wiring, GS-2032, GS-2632, GS-2046, GS-2646, GS-3246

Item	Part No.	Description	Qty.	Item	Part No.	Description	Qty.
--	105214	CABLE TIE MOUNT, WINGED <i>not shown</i>		14		REF. MOTOR CONTROLLER <i>refer to 207.1</i>	
--	56926	CLIP,TIE HARNESS MOUNT*** <i>not shown</i>		14	-	REF. MOTOR CONTROLLER <i>refer to 207.1</i>	
1		REF. BATTERY CABLE <i>refer to 211.1</i>		15	229750	HARNESS,PRESS,TRANSDUCER***.1	
1	-	REF. BATTERY CABLE <i>refer to 211.1</i>		16A	233431	HRNS,CONTACTOR SIGNAL.....1 GS2032, GS-2632, GS3232	
2		REF. FUSE <i>refer to 205.1</i>		16B	233430	HRNS,CONTACTOR SIGNAL,GS46.....1 GS2046, GS-2646, GS-3246	
2	-	REF. FUSE <i>refer to 205.1</i>		17A	233053	CABLE,LFT CYL DN,20/26XX,W/LS.....1 GS-2032, GS-2046, GS-2632, GS-2646 (CE, Australia)	
3		REF. LEVEL SENSOR <i>refer to 203.1</i>		17B	233054	CABLE,LFT CYL DN,20/26XX,WO/LS.....1 GS-2032, GS-2046, GS-2632, GS-2646 (ANSI, CSA)	
3	-	REF. LEVEL SENSOR <i>refer to 203.1</i>		17C	233055	CABLE,LIFT CYL DWN, 32XX,W/LS.....1 GS-3232, GS-3246 (CE, Australia)	
4		REF. CHARGER <i>refer to 206.1</i>		17D	234168	CABLE,LIFT CYL DWN, 32XX,WO/LS.....1 GS-3232, GS-3246 (ANSI, CSA)	
4	-	REF. CHARGER <i>refer to 206.1</i>		18	1257824	HARNESS,FUNCTION MANIFOLD,GS.....1 <i>replaced T110889</i>	
5	T114031	HARNESS, ROTARY ANGLE.....1		18A	T110889	HARNESS, GS FUNC MANIFOLD.....1 <i>(to SN GS3214A-135714)</i>	
6	T113136	ASSY,ROT SENSR W/ HARNESS.....1		18B	1257824	HARNESS,FUNCTION MANIFOLD,GS.....1 <i>(from SN GS3214A-135715)</i>	
7		REF. INVERTER <i>refer to 604.1</i>		19		REF. GCON <i>refer to 208.1</i>	
7	-	REF. INVERTER <i>refer to 604.1</i>		19	-	REF. GCON <i>refer to 208.1</i>	
8		REF. STOBE,BEACON <i>refer to 601.1</i>		20		REF. KEYSWITCH <i>refer to 208.1</i>	
8	-	REF. STOBE,BEACON <i>refer to 601.1</i>		20	-	REF. KEYSWITCH <i>refer to 208.1</i>	
9		REF. DOWN LIMIT, GS <i>refer to 203.1</i>		21A	228786	HARNESS, GS SENSORS, ANSI....1 ANSI & CSA	
9	-	REF. DOWN LIMIT, GS <i>refer to 203.1</i>		--	233711	HRNS ASSY,RESISTOR DIODE <i>for 228786 and T110891</i>	
10		REF. ELECTRIC MOTOR <i>refer to 504.1</i>		21B	T110891	HARNESS, GS SENSORS, CE.....1 CE & Australia	
10	-	REF. ELECTRIC MOTOR <i>refer to 504.1</i>					
11	74267	CONTACTOR,DRIVE,24V,180A***...1					
12		REF. BATTERY CABLE <i>refer to 211.1</i>					
12	-	REF. BATTERY CABLE <i>refer to 211.1</i>					
13	96309	ASSY,POTHOLE HARNESS,GS.....1					



209.1 Electrical Wiring, GS-2032, GS-2632, GS-2046, GS-2646, GS-3246
(continued)

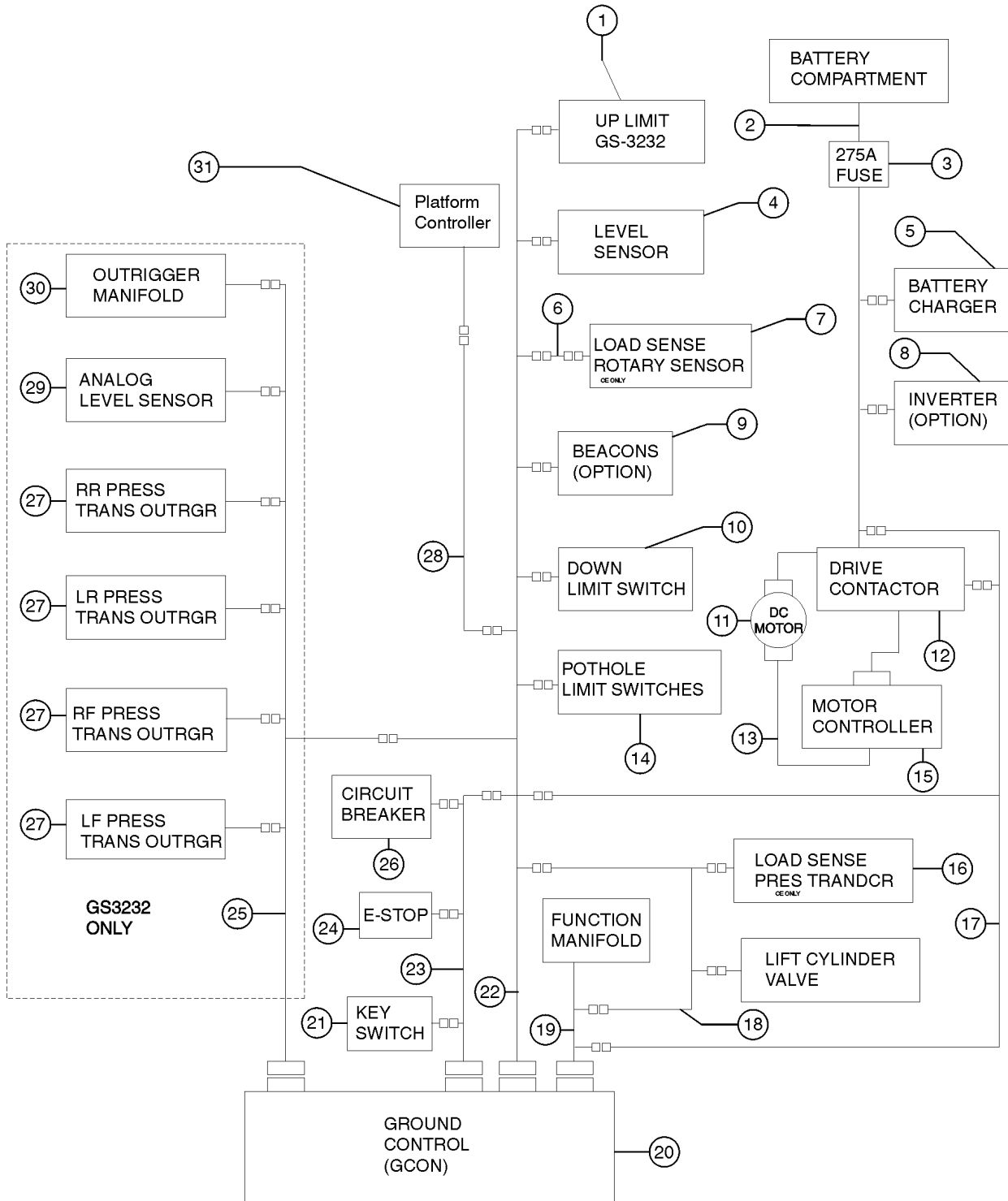
Item	Part No.	Description	Qty.	Item	Part No.	Description	Qty.
--	233644	RESISTOR,200 OHM 10W,CERAMIC <i>for 233711</i>		27A	144213	CHARGER INTERLOCK CBLE,GS30/32	
--	233711	HRNS ASSY,RESISTOR DIODE <i>for 228786 and T110891</i>		27B	144215	CHARGER INTERLOCK CABLE,GS46	
22	T110890	HARNESS, GS POWER CONTRL...1					
23		REF. E-STOP BUTTON <i>refer to 208.1</i>					
23	-	REF. E-STOP BUTTON <i>refer to 208.1</i>					
24		REF. CIRCUIT BREAKER <i>refer to 208.1</i>					
24	-	REF. CIRCUIT BREAKER <i>refer to 208.1</i>					
25A	233050	CABLE, PLATFORM CONTROL, 20XX.....1 <i>GS-2032, GS-2046</i>					
--	218579	WIRE CABLE, 18/5 - UNSHIELDED.....324-inches <i>GS-2032, GS-2046</i>					
--	231921	KIT,CONN,RECEPT W/PIN AND LOCK					
--	231922	KIT,CONN,PLUG W/SCKT AND LOCK					
25B	233051	CABLE, PLATFORM CONTROL, 26XX.....1 <i>GS-2632, GS-2646</i>					
--	218579	WIRE CABLE, 18/5 - UNSHIELDED.....440-inches <i>GS-2632, GS-2646</i>					
--	231921	KIT,CONN,RECEPT W/PIN AND LOCK					
--	231922	KIT,CONN,PLUG W/SCKT AND LOCK					
25C	233052	CABLE, PLATFORM CONTROL, 32XX.....1 <i>GS-3232, GS-3246</i>					
--	218579	WIRE CABLE, 18/5 - UNSHIELDED.....518-Inches <i>GS-3232, GS-3246</i>					
--	231921	KIT,CONN,RECEPT W/PIN AND LOCK					
--	231922	KIT,CONN,PLUG W/SCKT AND LOCK					
26		REF. PCON <i>refer to 404.1</i>					
26	-	REF. PCON <i>refer to 404.1</i>					



209.1 Electrical Wiring, GS-2032, GS-2632, GS-2046, GS-2646, GS-3246
(continued)

This Page Intentionally Left Blank

210.1 Electrical Wiring, GS-3232

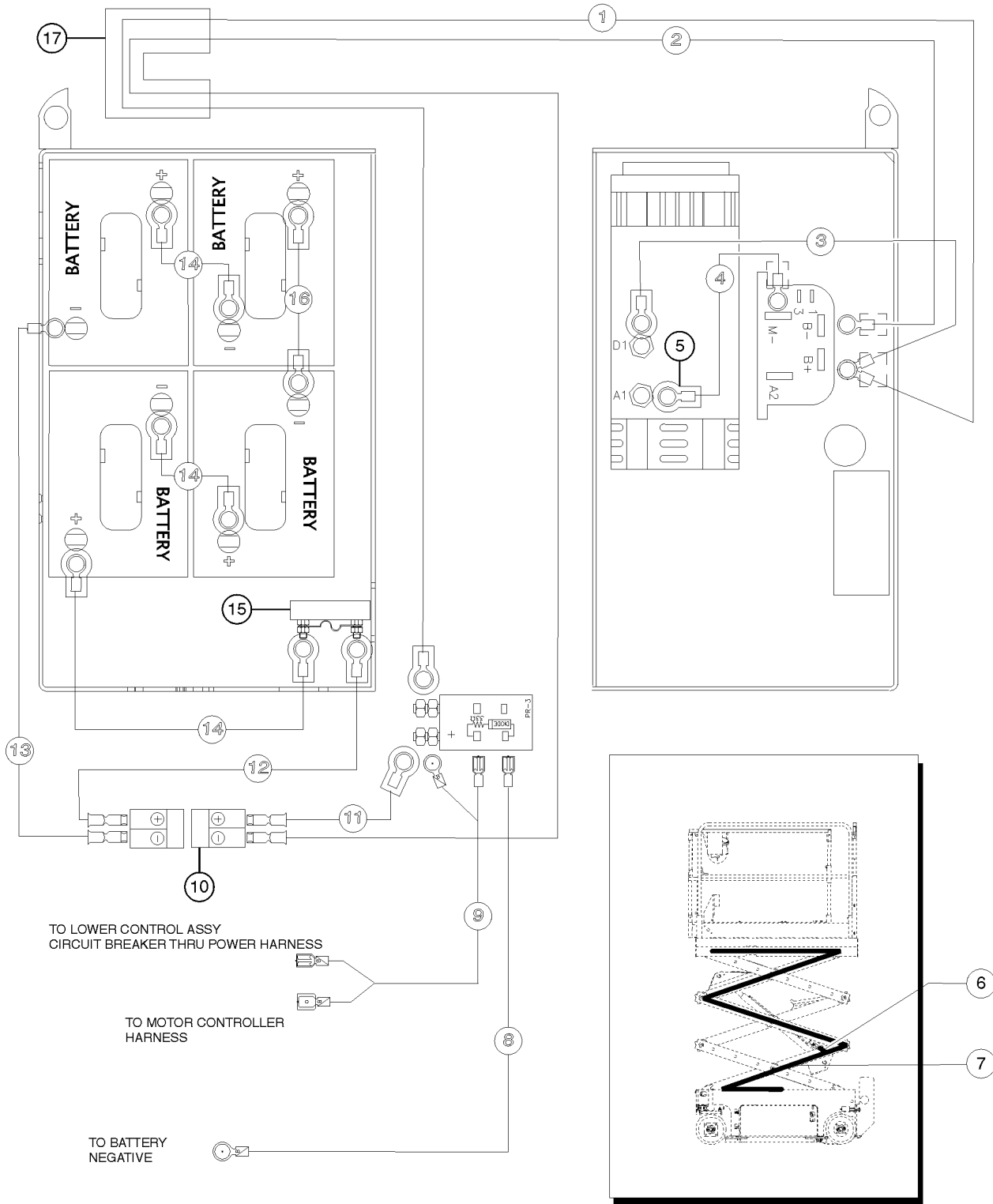


210.1 Electrical Wiring, GS-3232

Item	Part No.	Description	Qty.	Item	Part No.	Description	Qty.
1	105664	ASSY,22 FT LIMIT SWITCH,GS3232		--	233711	HRNS ASSY,RESISTOR DIODE <i>for 233049 and 229672</i>	
2	-	REF. BATTERY CABLE <i>refer to 211.1</i>		22B	229672	HARNESS, GS SENSORS, CE, 3232.....1 <i>Australia, CE</i>	
3	-	REF. FUSE <i>refer to 205.1</i>		--	233644	RESISTOR,200 OHM 10W,CERAMIC <i>for 233711</i>	
4	-	REF. LEVEL SENSOR <i>refer to 203.1</i>		--	233711	HRNS ASSY,RESISTOR DIODE <i>for 228786 and T110891</i>	
5	-	REF. CHARGER <i>refer to 206.1</i>		23	T110890	HARNESS, GS POWER CONTRL...1	
6	T114031	HARNESS, ROTARY ANGLE.....1		24	-	REF. E-STOP BUTTON <i>refer to 208.1</i>	
7	T113136	ASSY,ROT SENSR W/ HARNESS.....1		25	229670	HARNESS, OUTRIGGER, GS3232.....1	
8	-	REF. INVERTER <i>refer to 604.1</i>		26	-	REF. CIRCUIT BREAKER <i>refer to 208.1</i>	
9	-	REF. STOBE,BEACON <i>refer to 601.1</i>		27	229750	HARNESS,PRESS,TRANSDUCER***.1 <i>GS-3232 outriggers</i>	
10	-	REF. DOWN LIMIT, GS <i>refer to 203.1</i>		28	233052	CABLE, PLATFORM CONTROL, 32XX.....1 <i>GS-3232</i>	
11	-	REF. ELECTRIC MOTOR <i>refer to 504.1</i>		--	218579	WIRE CABLE, 18/5 - UNSHIELDED.....518-inches	
12	74267	CONTACTOR,DRIVE,24V,180A***...1		--	231921	KIT,CONN,RECEPT W/PIN AND LOCK	
13	-	REF. BATTERY CABLE <i>refer to 211.1</i>		--	231922	KIT,CONN,PLUG W/SCKT AND LOCK	
14	96309	ASSY,POTHOLE HARNESS,GS.....1		29	105708	HARNESS,LEVEL SENSOR.....1	
15	-	REF. MOTOR CONTROLLER <i>refer to 207.1</i>		30	-	REF. OUTRIGGER MANIFOLD <i>refer to 214.1</i>	
16	-	REF. PRESSURE TRANSDUCER HARNESS.....1 <i>refer to 701.1</i>		31	-	REF. PCON <i>refer to 404.1</i>	
17	233431	HRNS,CONTACTOR SIGNAL.....1 <i>GS3232</i>		32	144213	CHARGER INTERLOCK CBLE,GS30/32	
18A	233055	CABLE,LIFT CYL DWN, 32XX,W/LS.....1 <i>GS-3232 (Australia, CE)</i>					
18B	234168	CABLE,LIFT CYL DWN, 32XX,WO/LS.....1 <i>GS-3232 (ANSI, CSA)</i>					
19	1257824	HARNESS,FUNCTION MANIFOLD,GS.....1 <i>replaced T110889</i>					
20	-	REF. GCON <i>refer to 208.1</i>					
21	-	REF. KEYSWITCH <i>refer to 208.1</i>					
22A	233049	HARNESS, GS SENSRS, ANSI, 3232.....1 <i>ANSI, CSA</i>					

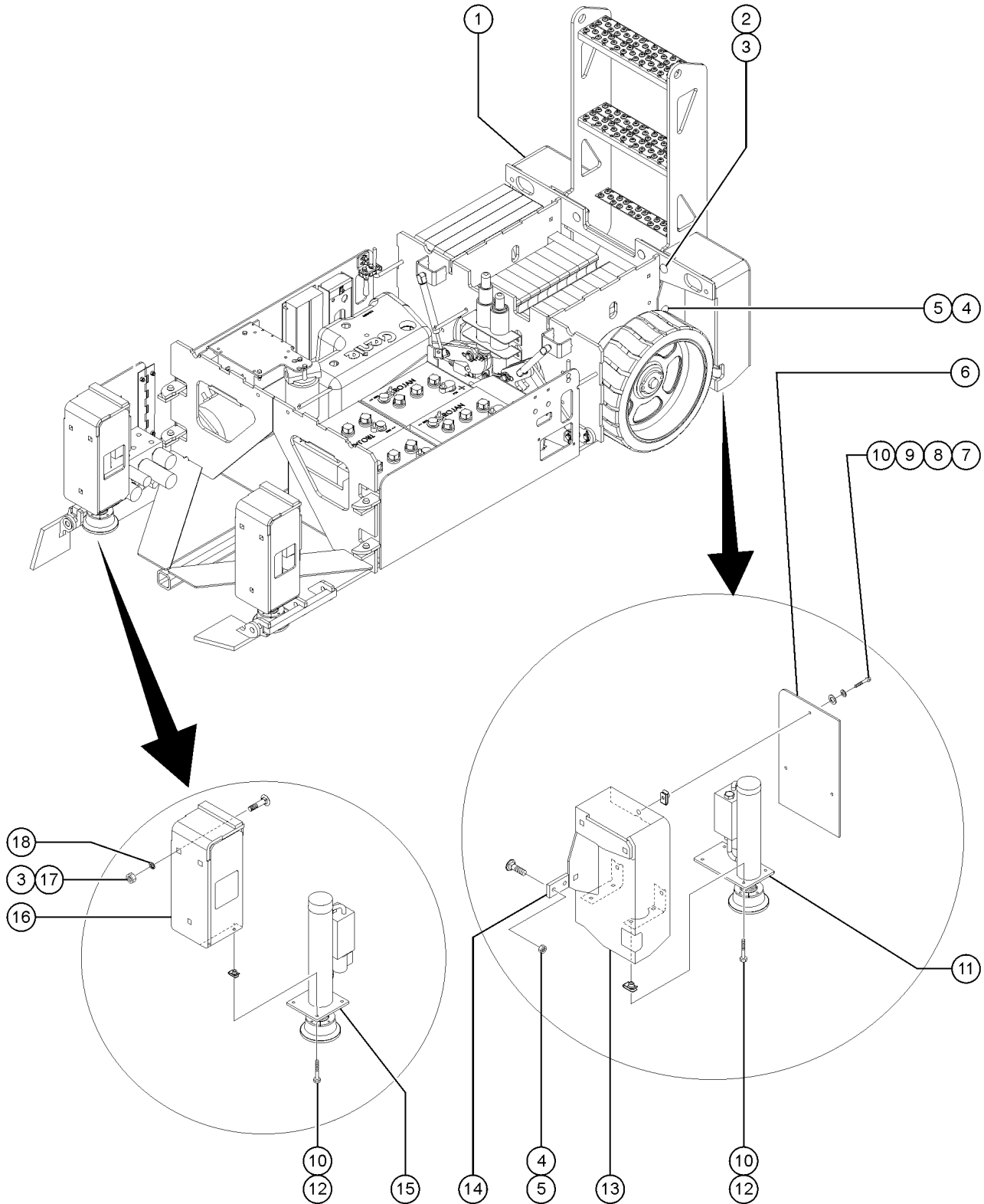


211.1 Power Cables



Item	Part No.	Description	Qty.
--	96387	ASSY,MOTOR CONTROL HARNESS <i>ANSI, CSA and Australia models</i>	
--	96819	ASSY,MOTOR CONTRL HARN,CE <i>CE models</i>	
--	96522	STD CONTROL HARNESS, SLAB <i>ANSI, CSA and Australia models</i>	
--	96440	CE CONTROL HARNESS, SLAB <i>CE models</i>	
1A	1257059	CABLE ASSY., BATT. 81" RED.....1 <i>GS-2032, GS-2632, GS-3232; replaced 233368</i>	
1B	1257057	CABLE ASSY., BATT. 89" RED.....1 <i>GS2046, GS-2646, GS-3246; replaced 233370</i>	
2A	1257058	CABLE ASSY., BATT. 85" BLACK.....1 <i>GS2032, GS-2632, GS3232; replaced 96299</i>	
2B	1257056	CABLE ASSY., BATT. 93" BLACK.....1 <i>GS2046, GS-2646, GS-3246; replaced 96947</i>	
3	1257054	CABLE ASSY., BATT. 14" RED.....1 <i>replaced 96302</i>	
4	1257055	CABLE ASSY., BATT. 12" BLACK.....1 <i>replaced 96303</i>	
5	96110	BOOT,CABLE TERMINAL COVER.....11	
6		REF. LIFT CYLINDER DOWN CABLE <i>refer to 209.1 or 210.1</i>	
7		REF. PLATFORM CONTROL CABLE <i>refer to 209.1 or 210.1</i>	
8	232582	GROUND WIRE ASSY,GS.....1	
9	233430	HRNS,CONTACTOR SIGNAL,GS46.....1	
10	66397	QUICK DISCONNECT CASING,BATT**.....2	
11	233371	CABLE ASSY, BATT, 23"RD.....1	
12	232576	CABLE ASSY,BATT, 12" RED.....1	
13	232578	CABLE ASSY,BATT, 20" BLK.....1	
14	96304	CABLE ASSY,BATT,5.50"RED.....3	
15		REF. FUSE BLOCK <i>refer to 205.1</i>	
16	96306	CABLE ASSY,BATT,9.50"RED.....1	
17	28131	WIRE LOOM,1.25 DIA.....18-inches	

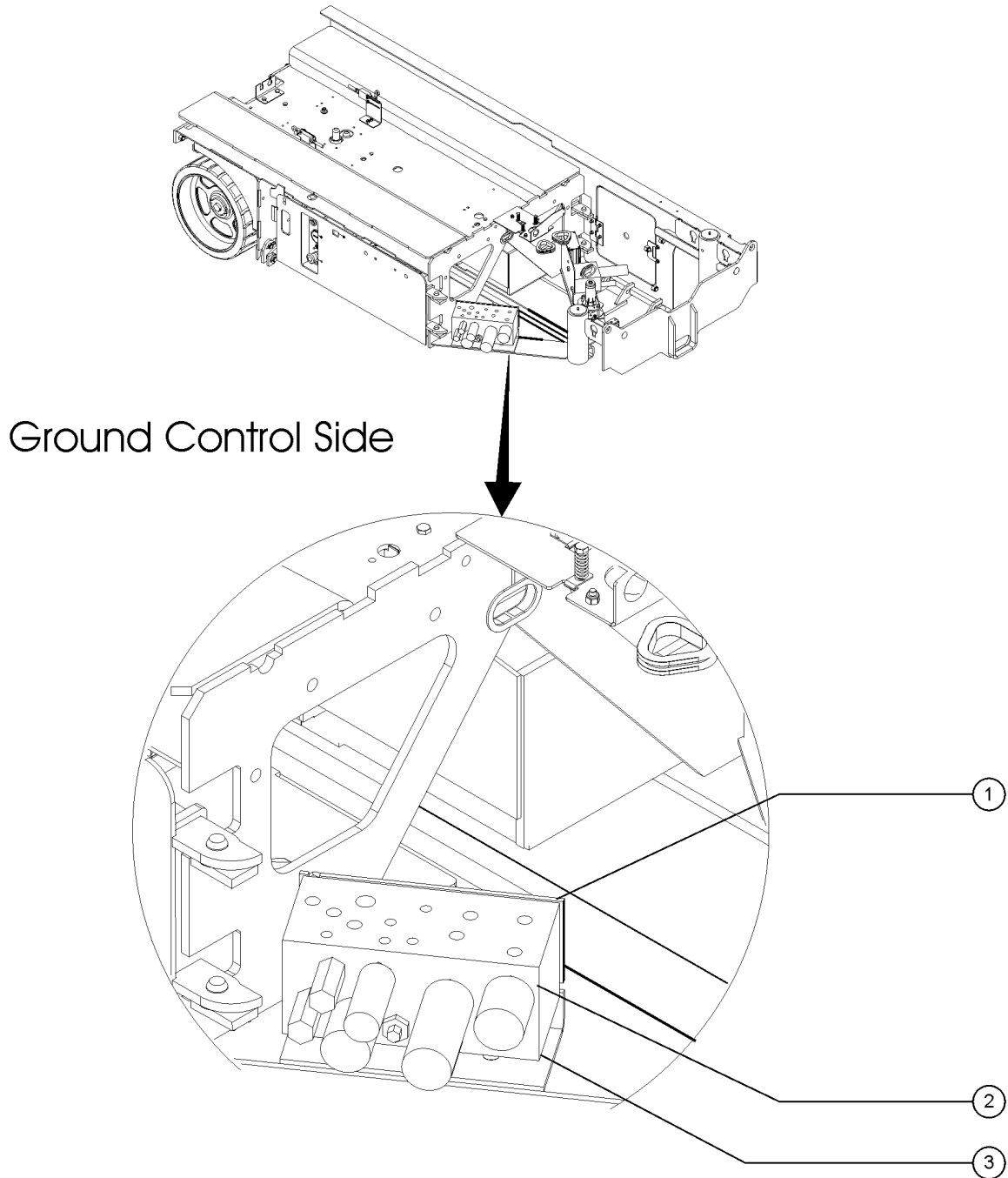
212.1 Outrigger Components, GS-3232



212.1 Outrigger Components, GS-3232

Item	Part No.	Description	Qty.
1	109735	WLDMT, OUTRIGGER, RR.....1 <i>(ground control side)</i>	
2	105688	BOLT,CARRIAGE,1/2X2.00,G5	
3	6198	NUT,NYLOCK,1/2-13	
4	105092	BOLT,CARRIAGE,3/8-16X1.25,GR5	
5	4828	NUT,NYLOCK,3/8-16	
6	109745	PLATE,REAR COVER.....2	
7	6888	SCREW,HHC,1/4-20 X 1	
8	6356	WASHER,LOCK,.25	
9	6638	WASHER,FLAT,USS,1/4"Y	
10	56912	SPRING CLIP,1/4-20,.025-.15X.5	
11		Ref: Outrigger Cylinder, Rear <i>(refer to 508.1)</i>	
12	105388	SCREW,HHC,1/4-20 X 1 W/PATCH	
13	109737	WLDMT, OUTRIGGER, LR.....2 <i>(battery pack side)</i>	
14	105758	PLATE, SHEAR, OUTRIGGER.....2	
15		Ref: Outrigger Cylinder, Front <i>(refer to 508.1)</i>	
16	109749	WLDMT, OUTRIGGER, FRONT.....2	
17	96203	BOLT,CARRIAGE,1/2-13X1.75, G5	
18	105634	PUSH RETAINER, 1/2" SCREW	

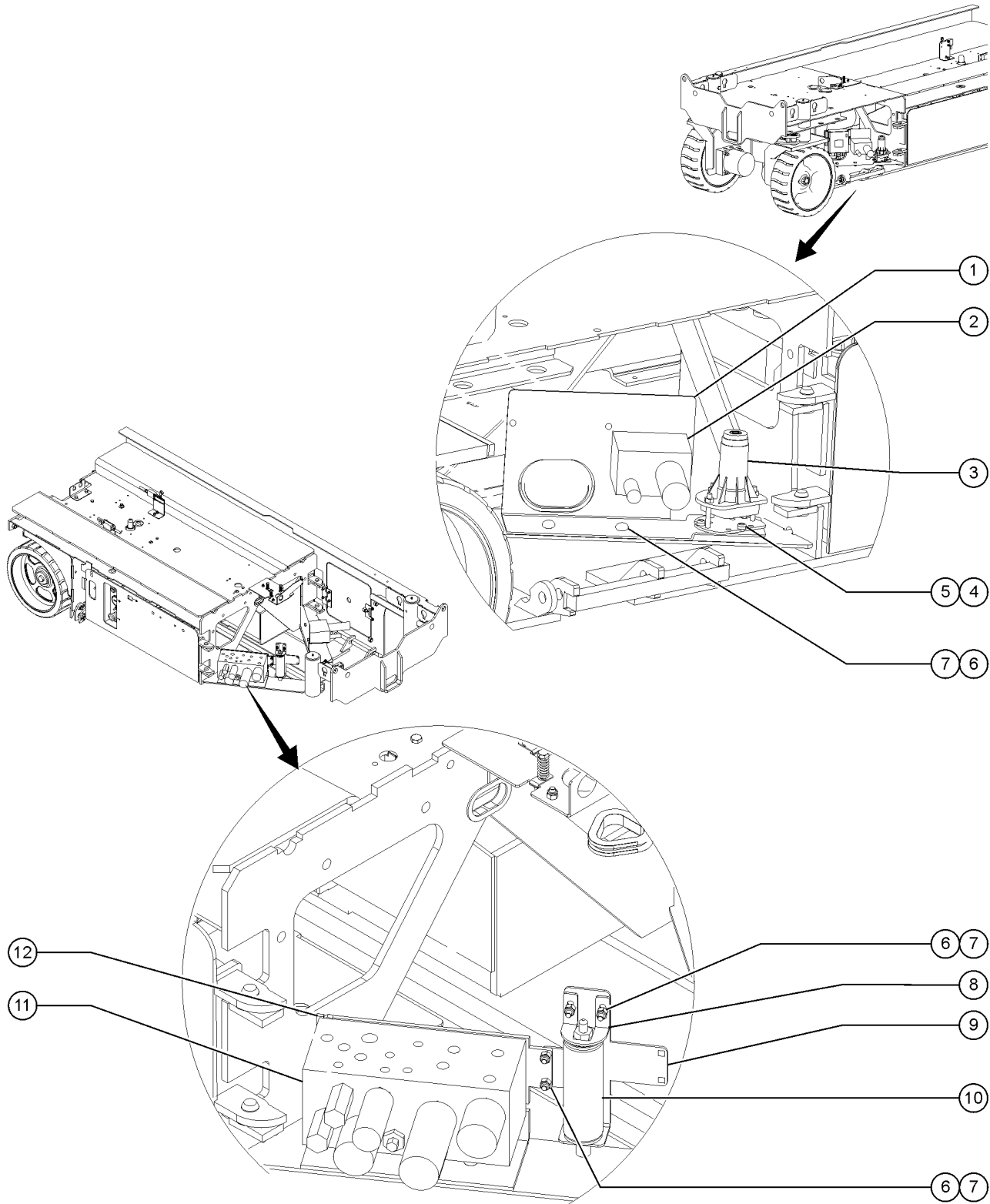
213.1 Function Manifold and Accumulator Components, GS-2032, GS-2632, GS-2046, GS-2646, GS-3246



213.1 Function Manifold and Accumulator Components, GS-2032, GS-2632, GS-2046,
GS-2646, GS-3246

Item	Part No.	Description	Qty.
1	105574	FORMING,MANIFOLD	
2		Ref. Function Manifold <i>(refer to 502.1)</i>	
3	78422	ACCUMULATOR,180 PSI PRECHARGE* <i>(hidden from view)</i>	
--	18504	NUT,LOCKING-LG.FLANGE,1/4-20	
--	32339	CLAMP,1.75,#28 X 3/8,RUB CUSH*	
--	96116	LINKSET, 19 FT	

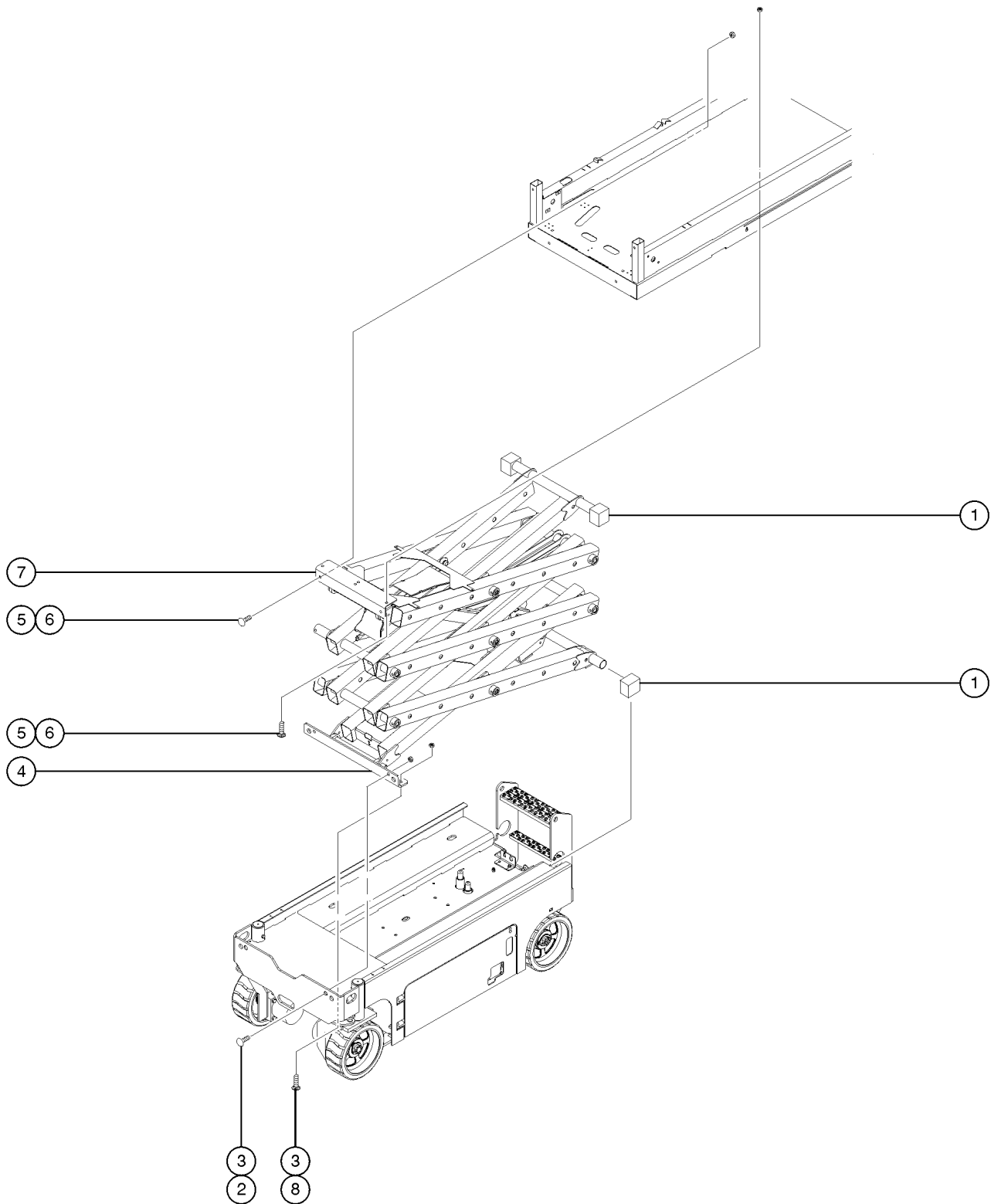
214.1 Function Manifold and Accumulator Components, GS-3232



214.1 Function Manifold and Accumulator Components, GS-3232

Item	Part No.	Description	Qty.
1A	105643	FORMING,COMPONENT BRKT, GS3232	
2		Ref. Outrigger Manifold <i>(refer to 509.1)</i>	
3	71484	SENSOR,LEVEL, ANALOG	
4	6889	NUT,LP NYLOCK,1/4-20	
5	80149	BOLT,CARRIAGE,1/4-20 X .5,G2	
6	6878	BOLT,CARRIAGE,1/4-20 X .75,G2	
7	6091	NUT,NYLOCK,1/4-20	
8	105211	FORMING, ACCUMULATOR CLAMP	
9	105210	FORMING, ACCUMULATOR BRACKET	
10	78422	ACCUMULATOR,180 PSI PRECHARGE*	
11		Ref. Function Manifold <i>(refer to 502.1)</i>	
12	105644	FORMING,MANIFOLD BRKT, GS3232	

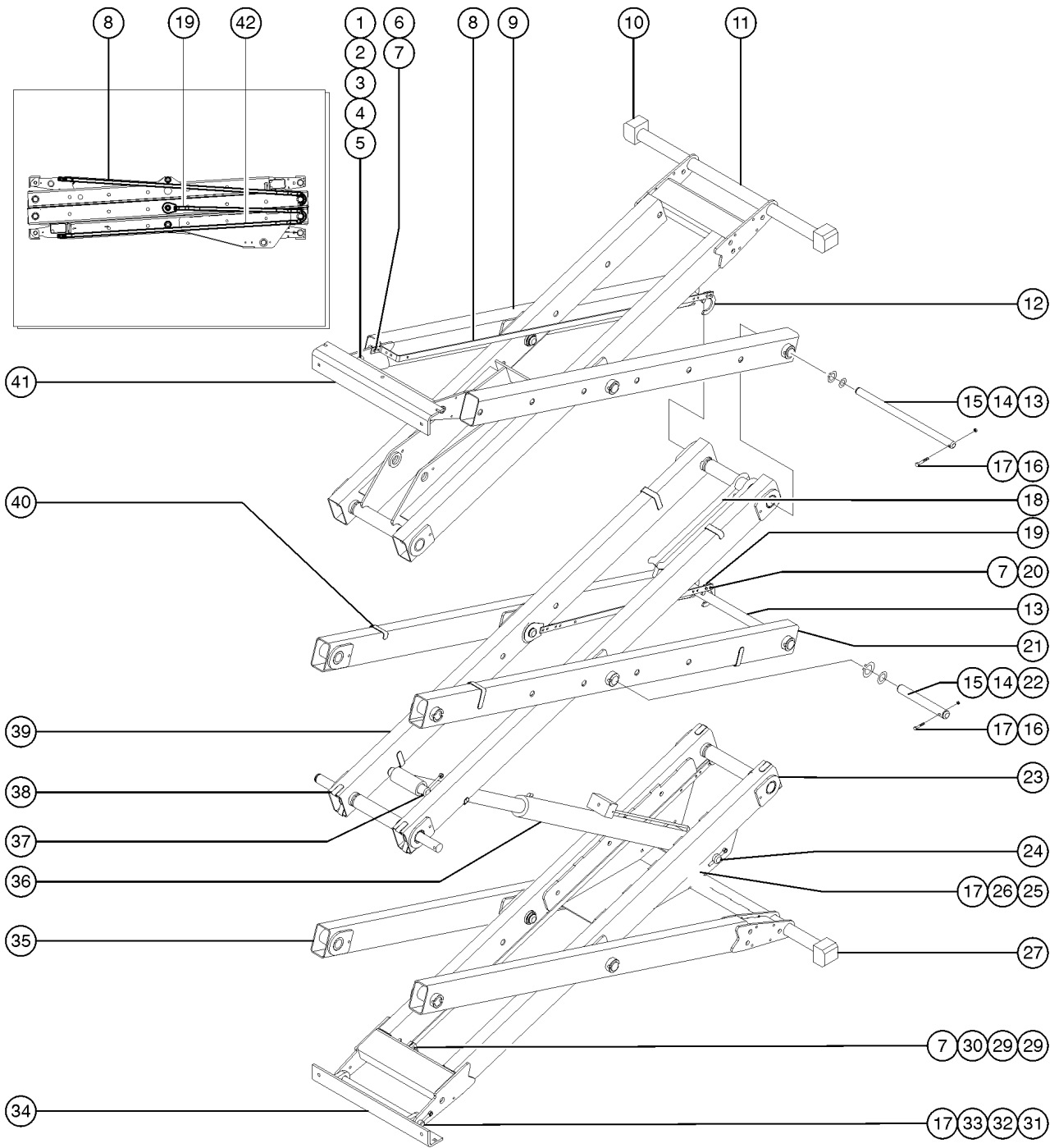
301.1 Scissor Assembly Installation



301.1 Scissor Assembly Installation

Item	Part No.	Description	Qty.
1	96595	SLIDER,UHMW.....	4
2	96977	BOLT,CARRIAGE,1/2-13X1.50,GR5.2	
3	6198	NUT,NYLOCK,1/2-13.....	4
4	97241	CHASSIS MOUNT ASSY, GS32&46.....	1
--	51474	BEARING,1.00IDX1.25ODX0.75L....	2
--	96578	WELDMENT,CHASSIS MOUNT.....	1
5	105092	BOLT,CARRIAGE,3/8-16X1.25,GR5	
6	4828	NUT,NYLOCK,3/8-16	
7	84747	PLATFORM MOUNT ASSY, GS32&46.....	1
--	105078	WELDMENT,PLATFORM MOUNT.....	1
--	36369	BEARING,0.75IDX1.00ODX0.75L....	2
8	96203	BOLT,CARRIAGE,1/2-13X1.75, G5.....	2

302.1 Scissor Assembly, GS-2032, GS-2046

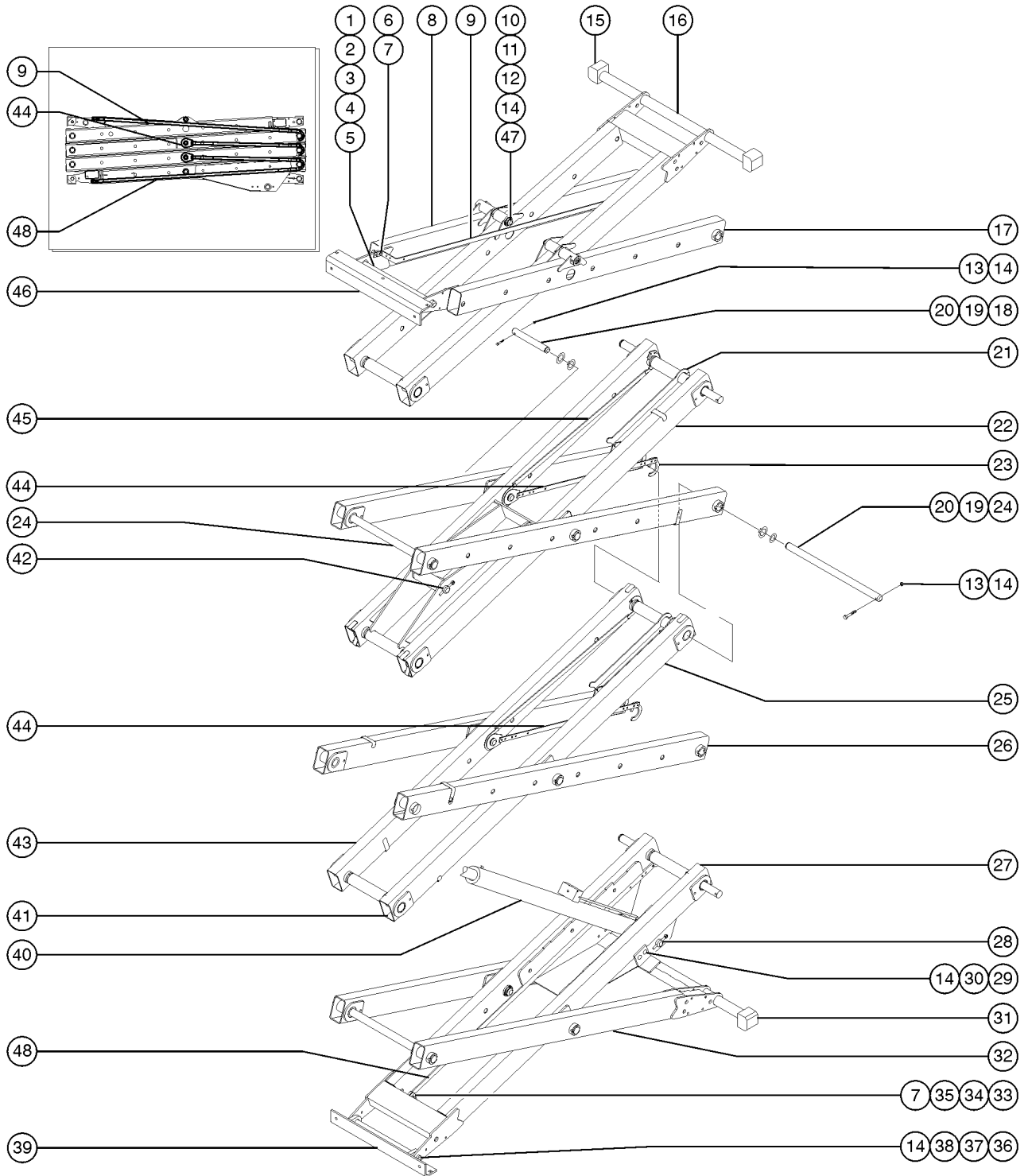


302.1 Scissor Assembly, GS-2032, GS-2046

Item	Part No.	Description	Qty.	Item	Part No.	Description	Qty.
1	96932	PIN, LINKSET MOUNT, 3/4".....	1	24	96662	PIN, LOWER CYLINDER MOUNT...1	
2	45748	ROD END,.250 X 2.75 LG.....	2	25	105092	BOLT,CARRIAGE,3/8-16X1.25,GR5	
3	8915	SCREW,HHC,1/4-20 X 1.25		26	105074	FORMING,PH PUSHER, GS46.....	1
4	6356	WASHER,LOCK,,.25		27		Ref. Chassis Slider (refer to 301.1)	
5	6091	NUT,NYLOCK,1/4-20		28	58592	PLATE,HOSE ROUTG,BULKHEAD(PTD).....	2
6	9116	BOLT,CARRIAGE,1/4-20 X 1.25,G2		29	78736	CLAMP,2 HOSE,PLASTIC,5/8.....	4
7	18504	NUT,LOCKING-LG.FLANGE,1/4-20		30	96905	BOLT,CARRIAGE,1/4-20 X 2.5,G2	
8	105189	BAR,CABLE BRIDGE ARM,UPPER.....	1	31	96862	PIN, LINKSET MOUNT, 1".....	1
9	96611	WLDMT,LNK,OUT #3-20XX,#5-32XX.....	2	32	45226	ROD END,.375 X 3.69.....	3
10		Ref. Platform Slider (refer to 301.1)		33	8516	SCREW,HHC,3/8-16 X 1.50,GR5	
11A	84696	INNER ARM ASSY,#3 GS2032.....	1	34		Ref. Chassis Mount Assembly (refer to 301.1)	
--	105030	WLDMT,LNK,INNER #3,2032..... (bearings not included)	1	35A	105029	WLDMT,LNK,OUTER #1,GS32..... (decal not included refer to section one)	1
--	66055	BEARING,1.50IDX1.77ODX1.25L....	6	35B	96603	WLDMT,LNK,OUTER #1,XX46..... (decal not included refer to section one)	1
11B	97233	INNER ARM ASSY, #3, 2046.....	1	36		Ref. Lift Cylinder (refer to 505.1)	
--	66055	BEARING,1.50IDX1.77ODX1.25L....	6	37	96661	PIN, UPPER CYLINDER MOUNT....	1
--	96606	WLDMT,LNK,INNER #3,2046 (bearings not included)		38	96735	LINK BUMPER, 5".....	4
12	105193	CLIP,CABLEBRIDGE,GS32/46.....	2	39	97234	INNER ARM ASSY, #2, GS32&46....	1
13	96899	PIN, LONG, GS46.....	4	--	66055	BEARING,1.50IDX1.77ODX1.25L....	8
14	39835	WASHER,SCIS ARM,1.54X2.00X.125		40	96836	LINK BUMPER, SHORT TUBE.....	8
15	18383	SNAP RING,EXTERNAL,1.5 DIA***.....	10	41		Ref. Platform Mounting Assembly (refer to 301.1)	
16	6326	SCREW,HHC,3/8-16 X 3		42	105186	WLDMNT,CABLE BRIDGE,LOWER.....	1
17	4828	NUT,NYLOCK,3/8-16					
18	58000	SAFETY CHOCK,SCISSOR.....	1				
19A	105191	WELDMENT.CABLE BRIDGE, TOP.....	2				
19B	105190	WLDMT,CABLE BRIDGE,BOTTOM.....	2				
20	6878	BOLT,CARRIAGE,1/4-20 X .75,G2					
21	96605	WLDMT,LNK,OUTER #2,#3,#4.....	2				
22	96900	PIN, SHORT, GS46.....	6				
23	237565	INNER ARM ASSEMBLY #1,GS32/46..... (decal not included refer to section one)	1				
--	66055	BEARING,1.50IDX1.77ODX1.25L....	6				
--	96601	WLDMT,LNK,INNER #1..... (bearings not included)	1				



303.1 Scissor Assembly, GS-2632, GS-2646

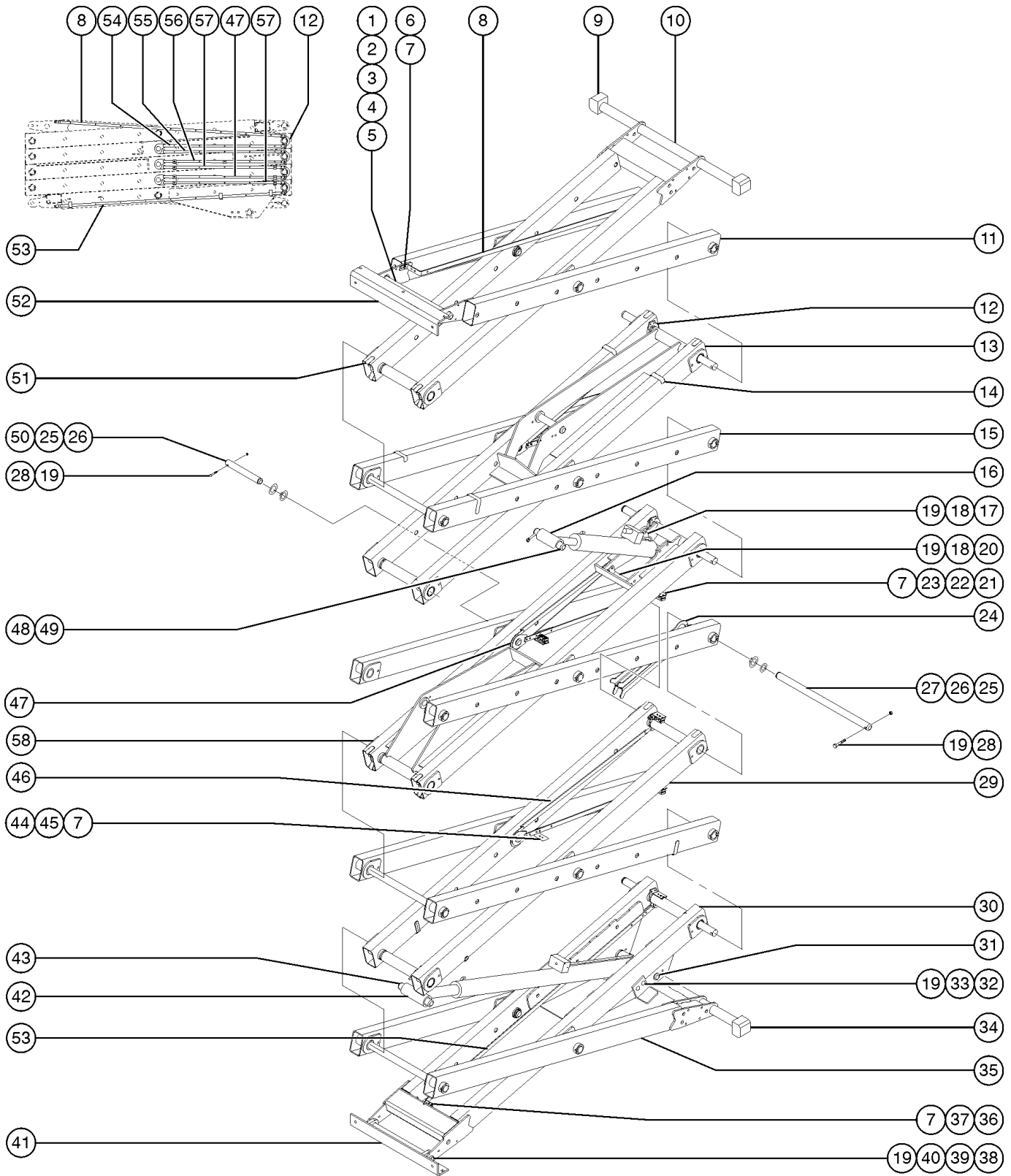


303.1 Scissor Assembly, GS-2632, GS-2646

Item	Part No.	Description	Qty.	Item	Part No.	Description	Qty.
1	96932	PIN, LINKSET MOUNT, 3/4".....1	1	--	96601	WLDMT,LNK,INNER #1.....1 <i>(bearings not included)</i>	1
2	45748	ROD END,.250 X 2.75 LG.....2	2	28	96662	PIN, LOWER CYLINDER MOUNT...1	
3	8915	SCREW,HHC,1/4-20 X 1.25		29	105092	BOLT,CARRIAGE,3/8-16X1.25,GR5.1 GS-2646	
4	6356	WASHER,LOCK,.25		30	105074	FORMING,PH PUSHER, GS46.....1	
5	6091	NUT,NYLOCK,1/4-20		31		Ref. Chassis Slider <i>(refer to 301.1)</i>	
6	9116	BOLT,CARRIAGE,1/4-20 X 1.25,G2		32	105029	WLDMT,LNK,OUTER #1,GS32.....1 <i>(decals not included refer to section one)</i>	
7	18504	NUT,LOCKING-LG.FLANGE,1/4-20		32A	105029	WLDMT,LNK,OUTER #1,GS32.....1 <i>(decals not included refer to section one)</i>	
8	96615	WLDMT,LNK,OUTER #4,26XX.....1 <i>(ground controls side)</i>	1	32B	96603	WLDMT,LNK,OUTER #1,XX46.....1 <i>(decals not included refer to section one)</i>	
9	105189	BAR,CABLE BRIDGE ARM,UPPER		33	58592	PLATE,HOSE ROUTG,BULKHEAD(PTD).....2	
10	96130	PIN, MINI, CENTER.....2	2	34	78736	CLAMP,2 HOSE,PLASTIC,5/8.....4	
11	30217	SNAP RING,EXTERNAL,1.25 DIA.**		35	96905	BOLT,CARRIAGE,1/4-20 X 2.5,G2	
12	96390	WASHER,FLAT, 1.27 X 2.13 X .13		36	96862	PIN, LINKSET MOUNT, 1".....1	
13	6326	SCREW,HHC,3/8-16 X 3		37	45226	ROD END,.375 X 3.69.....3	
14	4828	NUT,NYLOCK,3/8-16		38	8516	SCREW,HHC,3/8-16 X 1.50,GR5	
15		Ref. Platform Slider <i>(refer to 301.1)</i>		39		Ref. Chassis Mount Assembly <i>(refer to 301.1)</i>	
16A	84698	INNER ARM ASSY,#4 GS2632.....1	1	40		Ref. Lift Cylinder <i>(refer to 505.1)</i>	
--	105031	WLDMT,LNK,INNER #4,2632.....1 <i>(bearings not included)</i>	1	41	96735	LINK BUMPER, 5".....4	
--	66055	BEARING,1.50IDX1.77ODX1.25L....8	8	42	96812	PIN, LOWER CYL, ROD END.....1	
16B	97243	INNER ARM ASSY #4, 2646.....1	1	43	97234	INNER ARM ASSY, #2, GS32&46....1	
--	66055	BEARING,1.50IDX1.77ODX1.25L....6	6	--	66055	BEARING,1.50IDX1.77ODX1.25L....8	
17	96616	WLDMT,LNK,OUTER #4,26XX,LEFT.....1 <i>(battery pack side)</i>	1	44	105191	WELDMNT.CABLE BRIDGE, TOP	
18	96900	PIN, SHORT, GS46.....6	6	45	105190	WLDMT,CABLE BRIDGE,BOTTOM	
19	39835	WASHER,SCIS ARM,1.54X2.00X.125		46		Ref. Platform Mount Assembly <i>(refer to 301.1)</i>	
20	18383	SNAP RING,EXTERNAL,1.5 DIA***.....12	12	47	14033	SCREW,HHC,3/8-16 X 2.75	
21	58000	SAFETY CHOCK,SCISSOR.....1	1	48	105186	WLDMNT,CABLE BRIDGE,LOWER.....1 GS-2646	
22	97244	INNER ARM ASSY #3, 2632/2646...1	1				
--	66055	BEARING,1.50IDX1.77ODX1.25L....8	8				
23	105193	CLIP,CABLEBRIDGE,GS32/46					
24	96899	PIN, LONG, GS46.....6	6				
25	96836	LINK BUMPER, SHORT TUBE.....8	8				
26	96605	WLDMT,LNK,OUTER #2,#3,#4.....4	4				
27	237565	INNER ARM ASSEMBLY #1,GS32/46.....1 <i>(decals not included refer to section one)</i>	1				
--	66055	BEARING,1.50IDX1.77ODX1.25L....6	6				



304.1 Scissor Assembly, GS-3232, GS-3246



304.1 Scissor Assembly, GS-3232, GS-3246

Item	Part No.	Description	Qty.	Item	Part No.	Description	Qty.
1	96932	PIN, LINKSET MOUNT, 3/4".....	1	--	66055	BEARING,1.50IDX1.77ODX1.25L....	8
2	45748	ROD END,.250 X 2.75 LG.....	2	30	237565	INNER ARM ASSEMBLY #1,GS32/46.....	1 <i>(decal not included refer to section one)</i>
3	8915	SCREW,HHC,1/4-20 X 1.25		--	66055	BEARING,1.50IDX1.77ODX1.25L....	6
4	6356	WASHER,LOCK,.25		--	96601	WLDMT,LNK,INNER #1	
5	6091	NUT,NYLOCK,1/4-20		31	96662	PIN, LOWER CYLINDER MOUNT...1	
6	9116	BOLT,CARRIAGE,1/4-20 X 1.25,G2		32	105092	BOLT,CARRIAGE,3/8-16X1.25,GR5	
7	18504	NUT,LOCKING-LG.FLANGE,1/4-20		33	105074	FORMING,PH PUSHER, GS46.....	2
8	105189	BAR,CABLE BRIDGE ARM,UPPER		34		Ref. Chassis Slider <i>(refer to 301.1)</i>	
9		Ref. Platform Slider <i>(refer to 301.1)</i>		35A	105029	WLDMT,LNK,OUTER #1,GS32 <i>(decal not included refer to section one)</i>	
10A	115114	INNER ARM ASSY #5, 3232.....	1	35B	96603	WLDMT,LNK,OUTER #1,XX46 <i>(decal not included refer to section one)</i>	
--	109912	WLDMT,LNK,INNER #5,3232.....	1	36	58592	PLATE,HOSE ROUTG,BULKHEAD(PTD).....	3
--	66055	BEARING,1.50IDX1.77ODX1.25L....	8	37	96903	BOLT,CARRIAGE,1/4-20 X 3.50,G2	
10B	97245	INNER ARM ASSY #5, 3246.....	1	38	96862	PIN, LINKSET MOUNT, 1".....	1
--	66055	BEARING,1.50IDX1.77ODX1.25L....	8	39	45226	ROD END,.375 X 3.69.....	4
--	96609	WLDMT,LNK,INNER #5,3246***..... <i>(bearings not included)</i>	1	40	8516	SCREW,HHC,3/8-16 X 1.50,GR5	
11	96611	WLDMT,LNK,OUT #3-20XX,#5-32XX.....	2	41		Ref. Chassis Mount Assembly <i>(refer to 301.1)</i>	
12	105193	CLIP,CABLEBRIDGE,GS32/46		42		Ref. Lift Cylinder, Bottom <i>(refer to 505.1)</i>	
13	97246	INNER ARM ASSY #4, 3246.....	1	43	96812	PIN, LOWER CYL, ROD END.....	1
--	66055	BEARING,1.50IDX1.77ODX1.25L....	8	44	105021	FORMING,CB HOSE CLAMP..... GS-3232	2
14	96836	LINK BUMPER, SHORT TUBE.....	8	45	6878	BOLT,CARRIAGE,1/4-20 X .75,G2	
15	96605	WLDMT,LNK,OUTER #2,#3,#4.....	6	46	96978	WELDMENT,CABLEBRIDGE HOOK.....	3 <i>(to SN GS32-86049 and to GS46-85766)</i>
16		Ref. Lift Cylinder, Top <i>(refer to 505.1)</i>		47	105187	WELDMENT,CABLE BRIDGE, TOP,32XX.....	6
17	96700	PLATE, PIN RETAINER.....	2	48	96661	PIN, UPPER CYLINDER MOUNT....	1
18	60790	BOLT,CARRIAGE,3/8-16 X1.50,G5		49	96663	PIN, SADDLE CYLINDER MOUNT.....	1
19	4828	NUT,NYLOCK,3/8-16		50	96900	PIN, SHORT, GS46.....	6
20	96971	FORMING,HOSE CLAMP,UPPER CYL.....	1	51	96735	LINK BUMPER, 5".....	8
21	78736	CLAMP,2 HOSE,PLASTIC,5/8.....	18	52		Ref. Platform Mount Assembly <i>(refer to 301.1)</i>	
22	6145	SCREW,HHC,1/4-20 X 1.5					
23	6638	WASHER,FLAT,USS,1/4"Y					
24	58001	SAFETY CHOCK-SCISSOR.....	1				
25	96899	PIN, LONG, GS46.....	8				
26	39835	WASHER,SCIS ARM,1.54X2.00X.125					
27	18383	SNAP RING,EXTERNAL,1.5 DIA***.....	18				
28	6326	SCREW,HHC,3/8-16 X 3					
29	97234	INNER ARM ASSY, #2, GS32&46....	1				

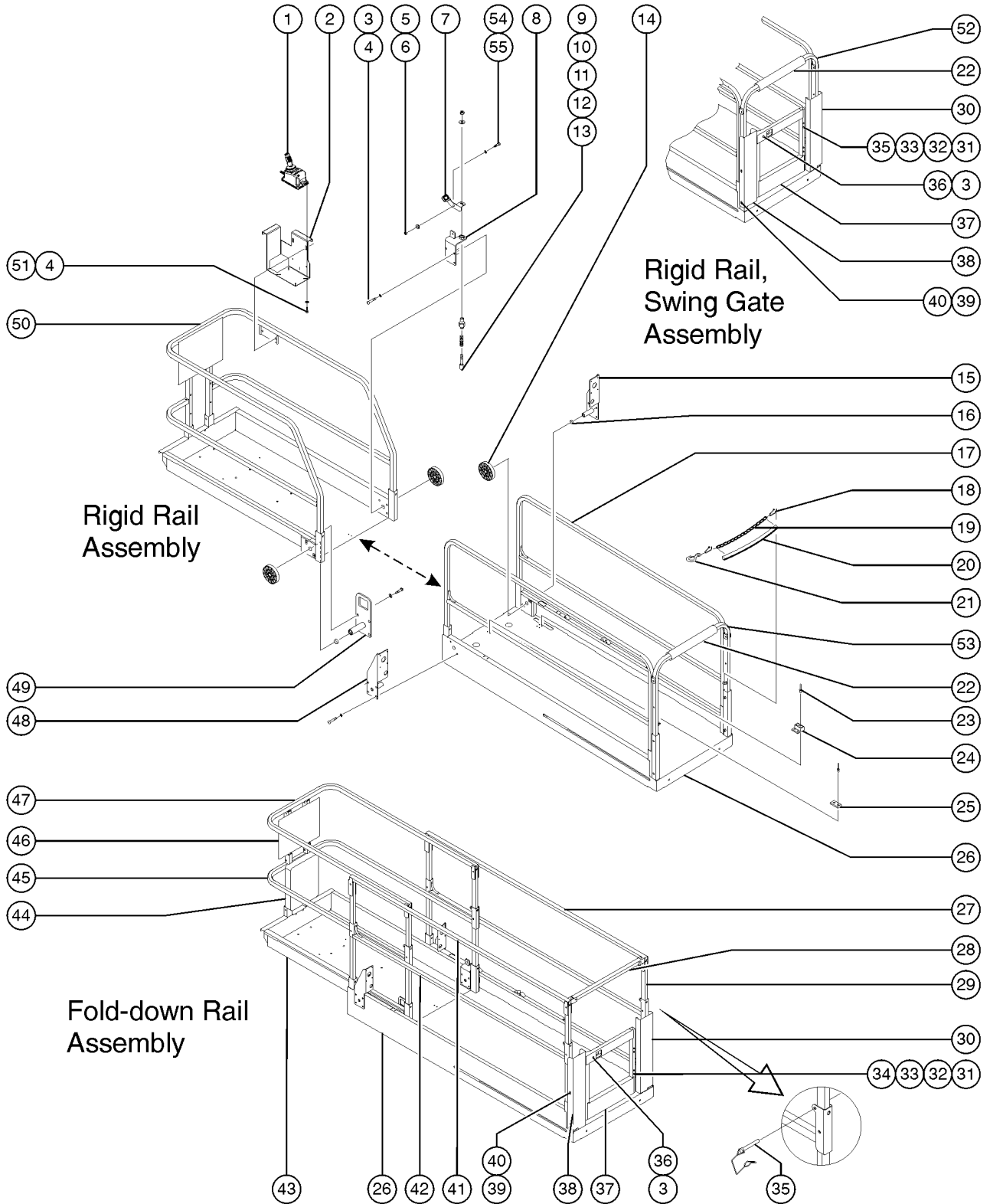


304.1 Scissor Assembly, GS-3232, GS-3246
(continued)

Item	Part No.	Description	Qty.
53	105186	WLDMNT,CABLE BRIDGE,LOWER.....1 <i>(from SN GS32-86050, GS3208C-101, GS46-85767, GS4609C-101)</i>	
54	105191	WELDMNT.CABLE BRIDGE, TOP.....1 <i>(from SN GS32-86050, GS3208C-101, GS46-85767, GS4609C-101)</i>	
55	105190	WLDMT,CABLE BRIDGE,BOTTOM.....1 <i>(from SN GS32-86050, GS3208C-101, GS46-85767, GS4609C-101)</i>	
56	105192	WELDMNT,CABLE BRIDGE***.....1 <i>(from SN GS32-86050, GS3208C-101, GS46-85767, GS4609C-101)</i>	
57	105188	WLDMT,CABLE BRIDGE,BOTTOM,3246.....2 <i>(from SN GS32-86050, GS3208C-101, GS46-85767, GS4609C-101)</i>	
58	96608	WLDMT,LNK,INNER #3,32XX.....1	
--	66055	BEARING,1.50IDX1.77ODX1.25L....8	

This Page Intentionally Left Blank

401.1 Platform Components, GS-2032, GS-2632, GS-3232



401.1 Platform Components, GS-2032, GS-2632, GS-3232

Item	Part No.	Description	Qty.	Item	Part No.	Description	Qty.
--				26	105025	WLDMT,MAIN DECK,GS32.....1 <i>(decals not included, refer to section one)</i>	1
1		Ref. Platform Control Box <i>(refer to 404.1)</i>		--	47098	TAPE,NON-SKID,DIE CUT,4"X 40" <i>(not included sold separately)</i>	
2		Ref. Platform Control Box Mount <i>(refer to 404.1)</i>		--	47231	TAPE,NON-SKID,DIE CUT,4"X 16" <i>(not included sold separately)</i>	
3	5224	SCREW,HHC,3/8-16 X 2		--	47374	TAPE,NON-SKID,DIE CUT,4"X 32" <i>(not included sold separately)</i>	
4	6356	WASHER,LOCK,.25		27	84685	MAIN FLDG RAIL ASSY,UPR RT,32.....1 <i>(ground controls side)</i>	1
5	6002	NUT,LP NYLOCK,5/16-18		--	78038	CAP,TUBE, SQ,1.25 X .083	
6	47222	WASHER,SHOULDER,NYLON.....1		28	105057	TUBE, ENTRY SWING, GS32.....1	1
7	46260	FOOTPEDAL W/NON-SKID TAPE,GS.....1	1	29	66485	TUBE, VERT, FOLDING.....6	6
--	47166	BRACKET,FOOT PEDAL.....1 <i>(non skid tape not included)</i>	1	30	105004	FORMING, HALF GATE, HINGE.....1 <i>(ground controls side)</i>	1
--	47225	TAPE,NON-SKID,DIE CUT,1.38X1.5 <i>(sold separately)</i>		31	4266	SCREW,HHC,1/4-20 X 2	
8	96413	WLDMT,LOCKING ROLLER SUPPORT.....1	1	32	6638	WASHER,FLAT,USS,1/4"Y	
9	39470	PIN, LOCK.....1	1	33	104804	HINGE, SPRING, LONG LEG.....2	2
10	39469	SPRING,COMPRESSION.485 X1.75**.....1	1	34	6091	NUT,NYLOCK,1/4-20	
11	41630	HOUSING,LOCK PIN.....1	1	35	66030	PIN, WIRE LOCK 3/8 X 2 -1/2.....4	4
12	6097	WASHER,FLAT,USS,3/8",Y		--	78022	LANYARD,BLACK NYLON,TYPE 1*** <i>(CE & Australia models)</i>	
13	7713	NUT,LP NYLOCK,3/8-16		36	4828	NUT,NYLOCK,3/8-16	
14	47163	ROLLER,PLATFORM EXTENSION.....4	4	--	65990-S	KIT,GATE LATCH <i>(includes latch, spring and hardware)</i>	
15	84587	ROLLER BRACKET ASSY, GRND CNTR.....1 <i>(ground controls side)</i>	1	37A	84690	SWING GATE ASSY,GS32,COMPLETE <i>(decals not included, refer to section one)</i>	
16	21279	BUTTON, .800 O.D. X .281.....3	3	37B	97110	SWING GATE ASSY,GS30/32** <i>(decals not included, refer to section one)</i>	
17	97044	MAIN RAIL RIGID, SQ GS32.....2	2	37C	66551	WELDMENT, HALF GATE.....1 <i>(decals not included, refer to section one)</i>	1
18	97305	CHAIN GATE ASSY, COM GS32.....1 <i>(GS-2032)</i>	1	37D	65990-S	KIT,GATE LATCH <i>(includes latch, spring and hardware)</i>	
--	96163	LINK, OPEN-END.....2	2	--	22446	SPRING,COMPRESSION .835 X 2.....1 <i>included in kit 65990-S</i>	1
19	39509	CHAIN,3/16,OPEN LINK 22.5".....1	1	--	66544	LATCH HANDLE.....1 <i>included in kit 65990-S</i>	1
20	47224	TUBING,PVC,1",BLACK***.21-inches		38	105099	WLDT, HALF GATE CATCH, GS32.....1 <i>(battery pack side)</i>	1
21	39510	RIGID EYE SNAP.....1	1				
22	47188	FOAM,CLOSED CELL 1.75X.250X18"					
--	28443	CABLE TIE,11.5" BLACK					
23	39579	RIVET,STL,STL,.188 X .45.....20	20				
24	39310	WEAR/GUIDE PAD MAIN PLATFORM.....4	4				
25	39474	WEAR PAD,PLATFORM.....2	2				



401.1 Platform Components, GS-2032, GS-2632, GS-3232
(continued)

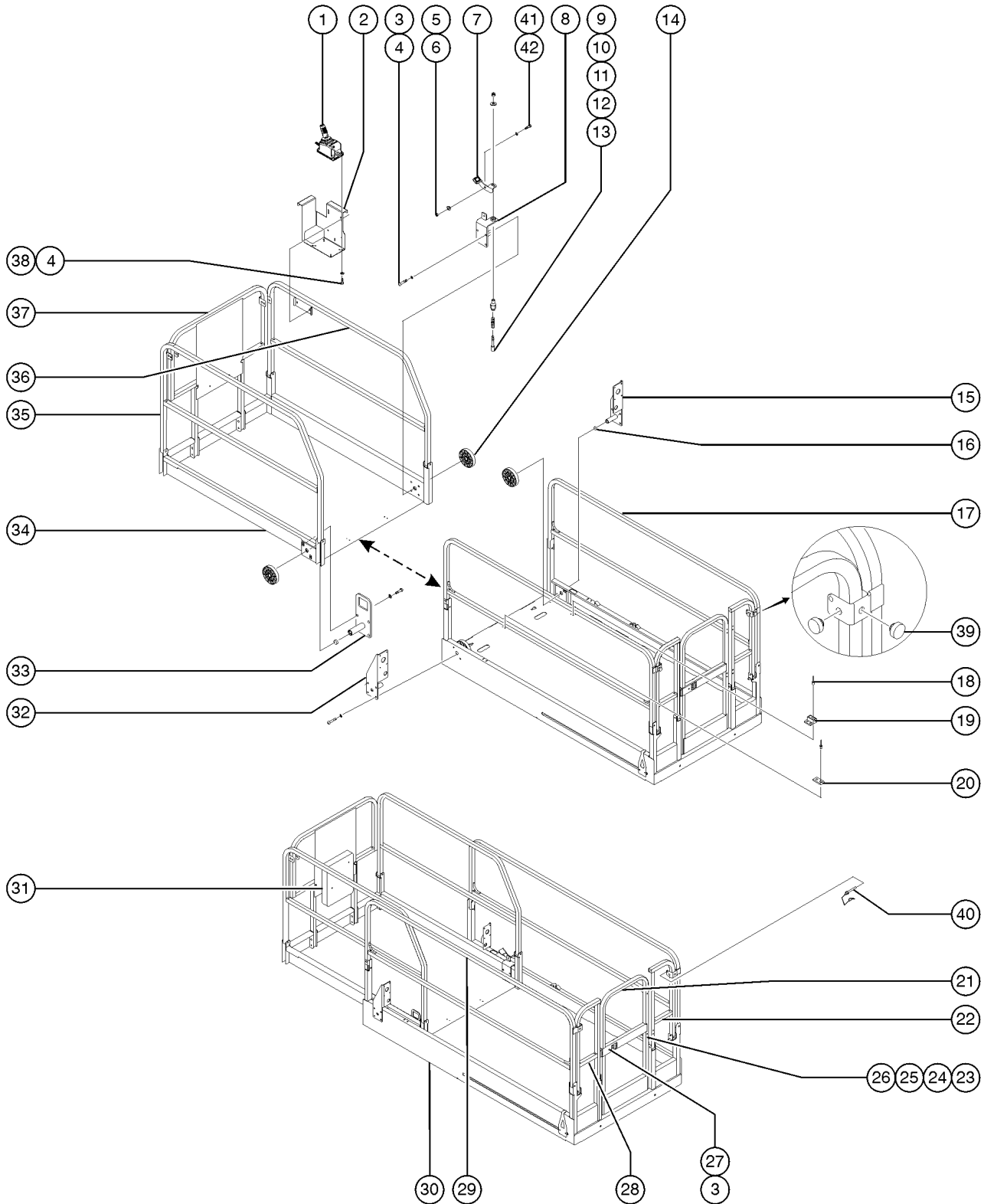
Item	Part No.	Description	Qty.	Item	Part No.	Description	Qty.
39	8178	SCREW,HHC,3/8-16 X 2.5		49	96200	WLDMT, LANYARD ROLLER BRKT.....1 <i>(decals not included, refer to section one)</i>	
40	5397	WASHER,FLAT,USS,5/16",Y		--	21279	BUTTON, .800 O.D. X .281.....1 <i>(sold separately)</i>	
41	84684	MAIN FLDG RAIL ASSY,UPR L,GS32.....1 <i>(battery pack side) (fold-down)</i>		50	105091	WELDMENT,EXT SIDERAIL***.....1 <i>(decals not included, refer to section one)</i>	
--	78038	CAP, TUBE, SQ,1.25 X .083		51	6090	SCREW,HHC,1/4-20 X .75	
42	78038	CAP, TUBE, SQ,1.25 X .083		52	105146	FORMING,SG HEADER RAIL,GS2032.....1	
42	84683	MAIN FLDG RAIL ASSY, LWR, GS32.....2 <i>(fold-down)</i>		53	105093	WELDMENT, CHAIN GATE.....1	
--	105024	WLDMT, EXT. DECK, GS32.....1		54	47227	SCREW,SHS,5/16-18 X .25.....1	
--	39474	WEAR PAD,PLATFORM.....1		55	12013	SHIM,.375 X .063.....1	
--	47231	TAPE,NON-SKID,DIE CUT,4"X 16".....1					
--	47374	TAPE,NON-SKID,DIE CUT,4"X 32".....3					
--	T113787	RIVET,ALUM,STL.,188 X .250.....2 <i>for 39474</i>					
43A	84680	EXT. DECK ASSY, GS32.....1 <i>(ANSI and CSA models)</i>					
43B	84681	EXT. DECK ASSY, GS32 CE <i>(CE models)</i>					
44	24514	BOX,INSTRUCTION STORAGE.....1 <i>(decals not uncluded, refer to section one)</i>					
45	105023	WLDMT, LOWER EXT RAIL.....1					
--	78038	CAP, TUBE, SQ,1.25 X .083 <i>(not included sold separately)</i>					
46	96849	WLDMT,DECAL PLATE, GS30/32....1 <i>(decals not included, refer to section one)</i>					
47	105026	WELDMENT,UPPER EXT RAIL,GS32**.....1 <i>(decals not included, refer to section one)</i>					
--	78038	CAP, TUBE, SQ,1.25 X .083 <i>(not included sold separately)</i>					
47A	84686	EXT FLDG RAIL ASSY,UPR,32,WO**.....1 <i>word decals</i>					
47B	84687	EXT FLDG RAIL ASSY, UPR, 32, S <i>symbol decals</i>					
48	96246	WELDMENT,ROLLER BRACKET,LT***.....1 <i>(decals not included, refer to section one)</i>					



401.1 Platform Components, GS-2032, GS-2632, GS-3232
(continued)

This Page Intentionally Left Blank

402.1 Platform Components, GS-2046, GS-2646, GS-3246



402.1 Platform Components, GS-2046, GS-2646, GS-3246

Item	Part No.	Description	Qty.	Item	Part No.	Description	Qty.
1		Ref. Platform Control Box <i>(refer to 404.1)</i>		21D	65990-S	KIT,GATE LATCH <i>(includes items 3 and 27)</i>	
2		Ref. Platform Control Box Mount Bracket <i>(refer to 404.1)</i>		--	22446	SPRING,COMPRESSION .835 X 2.....1 <i>included in kit 65990-S</i>	
3	5224	SCREW,HHC,3/8-16 X 2		--	66544	LATCH HANDLE.....1 <i>included in kit 65990-S</i>	
4	6356	WASHER,LOCK,.25		22	66923	WLDMT, ENTRY SIDERAIL, RT.....1 <i>(ground controls side)</i>	
5	6002	NUT,LP NYLOCK,5/16-18		--	78038	CAP, TUBE, SQ,1.25 X .083	
6	47222	WASHER,SHOULDER,NYLON.....1		23	4266	SCREW,HHC,1/4-20 X 2	
6	47227	SCREW,SHS,5/16-18 X .25		24	6638	WASHER,FLAT,USS,1/4"Y	
7	46260	FOOTPEDAL W/NON-SKID TAPE,GS.....1		25	104804	HINGE, SPRING, LONG LEG.....2	
--	47166	BRACKET,FOOT PEDAL.....1 <i>(non skid tape not included)</i>		26	6091	NUT,NYLOCK,1/4-20	
--	47225	TAPE,NON-SKID,DIE CUT,1.38X1.5 <i>(not included sold separately)</i>		27	4828	NUT,NYLOCK,3/8-16	
8	96413	WLDMT,LOCKING ROLLER SUPPORT.....1		28	66920	WLDMT, ENTRY SIDERAIL, LT.....1 <i>(battery pack side)</i>	
9	39470	PIN, LOCK.....1		--	78038	CAP, TUBE, SQ,1.25 X .083 <i>(not included sold separately)</i>	
10	39469	SPRING,COMPRESSION.485 X1.75**.....1		29	82053	RAIL- GS46 PLAT, MAINDECK.....1 <i>(battery pack side)</i>	
11	41630	HOUSING,LOCK PIN.....1		--	43392	BUMPER,BATTERY BOX & RAILS.....3	
12	6097	WASHER,FLAT,USS,3/8",Y		--	66919	WLDMT, MAIN SIDERAIL, LEFT.....1	
13	7713	NUT,LP NYLOCK,3/8-16		30	96718	WLDMT, MAIN DECK, GSXX46.....1 <i>(decals not included, refer to section one)</i>	
14	47163	ROLLER,PLATFORM EXTENSION.....4		--	47098	TAPE,NON-SKID,DIE CUT,4"X 40" <i>(not included sold separately)</i>	
15	84587	ROLLER BRACKET ASSY, GRND CNTR.....1 <i>(ground controls side)</i>		--	47231	TAPE,NON-SKID,DIE CUT,4"X 16" <i>(not included sold separately)</i>	
16	21279	BUTTON, .800 O.D. X .281.....3		--	47374	TAPE,NON-SKID,DIE CUT,4"X 32" <i>(not included sold separately)</i>	
17	82052	RAIL-GS46 PLAT, MAINDECK.....1 <i>(ground controls side)</i>		31	24514	BOX,INSTRUCTION STORAGE.....1 <i>(decals not included, refer to section one)</i>	
18	39579	RIVET,STL,STL,.188 X .45.....20		32	96246	WELDMENT,ROLLER BRACKET,LT***.....1	
19	39310	WEAR/GUIDE PAD MAIN PLATFORM.....4		33	96200	WLDMT, LANYARD ROLLER BRKT.....1 <i>(decals not included, refer to section one)</i>	
20	39474	WEAR PAD,PLATFORM.....3		--	21279	BUTTON, .800 O.D. X .281.....1 <i>(sold separately)</i>	
21A	96760	ASSY, PLATFORM GATE, GSXX46.....1 <i>COMPLETE (decals not included, refer to section one)</i>		34	97258	EXT. DECK ASSY, GS46.....1	
21B	97242	SWING GATE ASSY, GS46 WELD.....1 <i>(decals not included, refer to section one)</i>					
21C	66512	WLDMT, FULL HEIGHT GATE.....1					



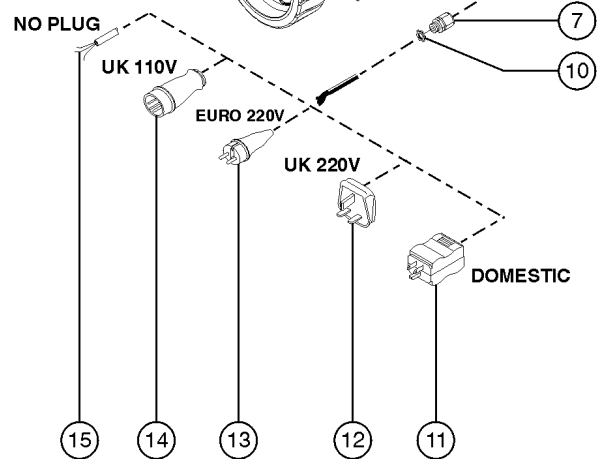
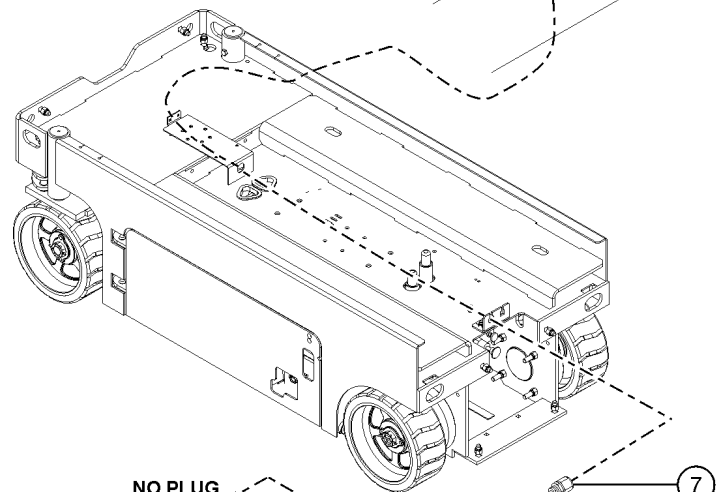
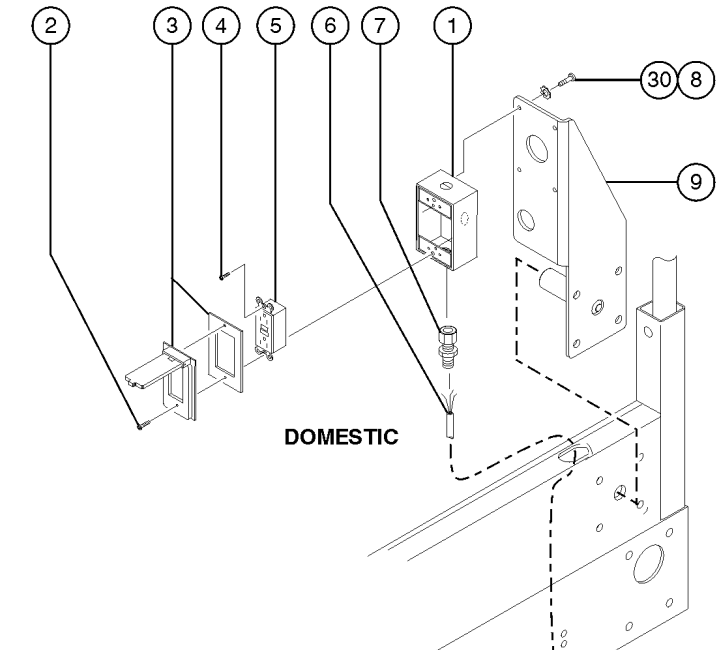
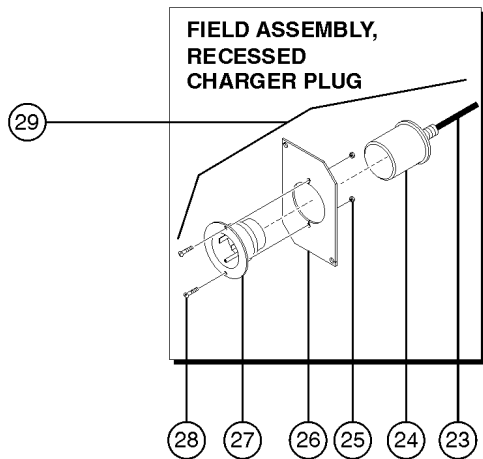
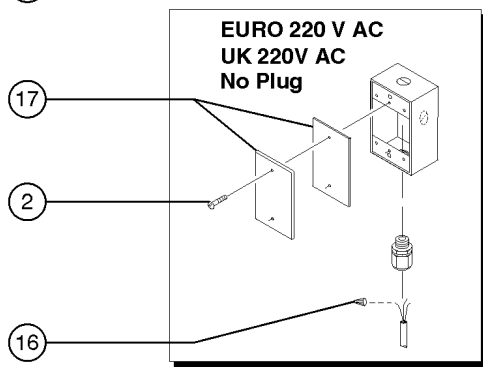
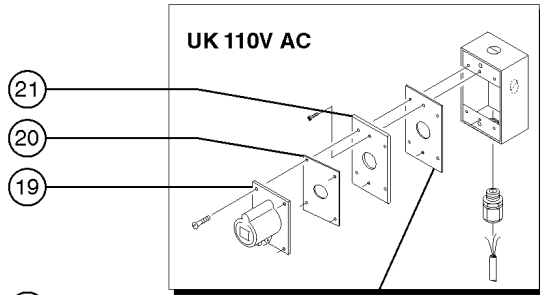
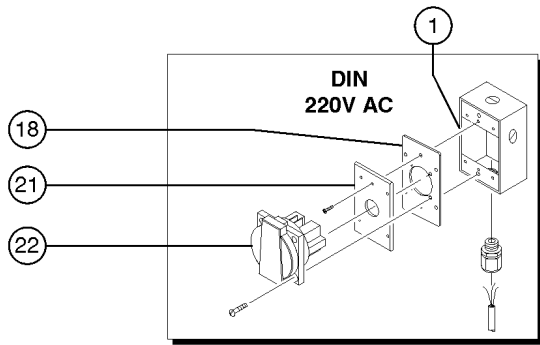
402.1 Platform Components, GS-2046, GS-2646, GS-3246
(continued)

Item	Part No.	Description	Qty.
--	39474	WEAR PAD,PLATFORM.....	2
--	47374	TAPE,NON-SKID,DIE CUT,4"X 32"	7
--	96719	WLDMT, EXT. DECK, GSXX46.....	1
--	T113787	RIVET,ALUM,STL.,188 X .250..... <i>for 39474</i>	4
35	97263	LEFT EX. RAIL, GS46..... <i>(battery pack side)</i>	1
--	43392	BUMPER,BATTERY BOX & RAILS.....	3
--	96761	WLDMT, EXT. SIDERAIL, LT.....	1
36	97264	RIGHT EXT RAIL, GS46..... <i>(decals not included, refer to section one)</i>	1
--	43392	BUMPER,BATTERY BOX & RAILS.....	3
--	96762	WELDMNT,EXT SIDERAIL,RT***	
37	96794	WLDMT, EXTENSION ENDRAIL..... <i>(decals not included, refer to section one)</i>	1
38	6090	SCREW,HHC,1/4-20 X .75	
39	43392	BUMPER,BATTERY BOX & RAILS.....	14
40	66030	PIN, WIRE LOCK 3/8 X 2 -1/2	
--	78022	LANYARD,BLACK NYLON,TYPE 1*** <i>(CE & Australia models)</i>	
41	47227	SCREW,SHS,5/16-18 X .25.....	1
42	12013	SHIM, .375 X .063.....	1

402.1 Platform Components, GS-2046, GS-2646, GS-3246
(continued)

This Page Intentionally Left Blank

403.1 Power to Platform



403.1 Power to Platform

Item	Part No.	Description	Qty.	Item	Part No.	Description	Qty.
--				21C	105090	PLATE, AC ADAPTER(AUS)	
--	33724	KIT,GASKET,UK POWER TO PLAT. <i>(includes 1 each, items 18 and 20)</i>		22	66353	RECEPTACLE, DIN, 220V 50A.....1	
1	10775	T-BOX,2.75 X 4.5 X 2.0.....1		23	48282	POWER CORD, IEC 320 BLANK.....1	
2	7127	SCREW,PHILLIPS,PHM,6-32 X .75		24	105118	GASKET,(BOOT) FLANGE INLET PLG.....1	
3	74006	COVER,GFCI,HORIZONTAL,WEATHER.1 <i>(ANSI and CSA models) (includes gasket and mounting fasteners)</i>		25	18605	NUT,NYLOCK,8-32.....2	
4	45546	SCREW,RHM,6-32 X .5		26	105483-S	PLATE,AC ADAPTER(ANSI/CSA)....1	
5	13585	OUTLET,110V GFCI***.....1 <i>(ANSI and CSA models)</i>		--	6091	NUT,NYLOCK,1/4-20.....2 <i>not included</i>	
6A	43956	WIRE CABLE,14/3 CON.TPE JKT*.....456-inches <i>GS-2032, GS-2046</i>		--	6878	BOLT,CARRIAGE,1/4-20 X .75,G2.....2 <i>not included</i>	
6B	43956	WIRE CABLE,14/3 CON.TPE JKT*.....516-inches <i>GS-2632, GS-2646</i>		27	105117	PLUG,FLG INLET,15A/125V,2PWGD.....1	
6D	43956	WIRE CABLE,14/3 CON.TPE JKT*.....624-inches <i>GS-3232, GS-3246</i>		28	55906	SCREW,PHILLIPS,PHM,8-32 X .5...2	
7	7056	CONN,SQUEEZE,1/2NPT .38-.50,SM.....1		29	105448	FIELD ASSY,REC.CHARGER PLUG.....1 <i>(includes items 23-28)</i>	
8	57075	SCREW,PHIL,8-32X.50,SELF TAP		30	44936	WASHER,STAR,EXTERNAL,#8.....4	
9		Ref. ROLLER BRACKET <i>(refer to 401.1 through 402.1)</i>					
10	6935	LOCKNUT,ELEC,1/2".....1					
11	6595	PLUG,ELECTRICAL,DOMESTIC.....1					
12	25388	PLUG,FUSED,250V,13AMP,U.K.**					
13	6666	PLUG,ELECTRICAL,220/50,NOVON					
14	144161	PLUG,PWR,UK,16AMP,3PIN,BLK					
15	105117	PLUG,FLG INLET,15A/125V,2PWGD					
--	105118	GASKET,(BOOT) FLANGE INLET PLG					
16	6626	WIRE CAP,ORANGE.....1					
17	10777	COVER,BLANK.....1					
18	66355	GASKET, UK & DIN PWR. TO PLAT.....1 <i>(2.9 x 2.9 inches)</i>					
19	T112563	SVC KIT,UK RECEPT.REPLACEMENT.....1					
20	66356	GASKET, UK RECEPTACLE.....1 <i>(2.9 x 2.9 inches)</i>					
21A	105483-S	PLATE,AC ADAPTER(ANSI/CSA) <i>(ANSI/CSA)</i>					
21B	96236	PLATE,AC ADAPTER,DIN/UK***					



404.1 Platform Controls, 8 and 6 Button (2 Speed Lift)

Item	Part No.	Description	Qty.	Item	Part No.	Description	Qty.
A	1258334	KIT, SL PROP UPGRD, CE, GS GS-2032 & GS-2632, GS-2046, GS-2646, GS-3246 (For 2 speed to proportional lift conversion. Software upgrade is required and available on-line or refer to 405.1 for USB flash drive) to SN GS14A-134999 and to SN GS14C-13999		H	1258384	KIT, SL PROP UPGRD, AUS, GS46 GS-2046, GS-2646, GS-3246 (For 2 speed to proportional lift conversion. Software upgrade is required and available on-line or refer to 405.1 for USB flash drive) to SN GS14A-134999 and to SN GS14C-13999	
B	1258337	KIT, SL PROP UPGRD, ANSI, 3232 GS-3232 (For 2 speed to proportional lift conversion. Software upgrade is required and available on-line or refer to 405.1 for USB flash drive) to SN GS14A-134999		I	1258515	KIT, SL PROP UPGRD, ANSI SYM, GS GS-2032 & GS-2632, GS-2046, GS-2646, GS-3246 (For 2 speed to proportional lift conversion. Software upgrade is required and available on-line or refer to 405.1 for USB flash drive) to SN GS14A-134999 and to SN GS14C-13999	
C	1258338	KIT, SL PROP UPGRD, AUS, 3232 GS-3232 (For 2 speed to proportional lift conversion. Software upgrade is required and available on-line or refer to 405.1 for USB flash drive) to SN GS14A-134999		J	1258516	KIT, SL PROP UPGRD, ANSI SYM, 3232 GS-3232 (For 2 speed to proportional lift conversion. Software upgrade is required and available on-line or refer to 405.1 for USB flash drive) to SN GS14A-134999	
D	1258339	KIT, SL PROP UPGRD, CE, 3232 GS-3232 (For 2 speed to proportional lift conversion. Software upgrade is required and available on-line or refer to 405.1 for USB flash drive) to SN GS14A-134999		K	137633	PCON, GR/GRC/GS GS-2032, GS-2046, GS-2632, GS-2646, GS-3246 (For models with 6 button, 2 speed lift controller)(complete platform control box with coil cord, bracket not included) to SN GS14A-134999 and to SN GS14C-13999	
E	1258361	KIT, SL PROP UPGRD, ANSI, GS32 GS-2032 & GS-2632 (For 2 speed to proportional lift conversion. Software upgrade is required and available on-line or refer to 405.1 for USB flash drive) to SN GS14A-134999 and to SN GS14C-13999		--	137587	HARNES, ESTOP, GR/GRC/GS PCON	
F	1258365	KIT, SL PROP UPGRD, AUS, GS32 GS-2032 & GS-2632 (For 2 speed to proportional lift conversion. Software upgrade is required and available on-line or refer to 405.1 for USB flash drive) to SN GS14A-134999 and to SN GS14C-13999		--	219205	FLASH DRIVE,SL1K1.0 SOFTWARE GS-2032, GS-2046, GS-2632, GS-2646, GS-3246 (For models with 6 button, 2 speed lift controller)(complete platform control box with coil cord, bracket not included) to SN GS14A-134999 and to SN GS14C-13999	
G	1258366	KIT, SL PROP UPGRD, ANSI, GS46 GS-2046, GS-2646, GS-3246 (For 2 speed to proportional lift conversion. Software upgrade is required and available on-line or refer to 405.1 for USB flash drive) to SN GS14A-134999 and to SN GS14C-13999		L	137585	PCON, GS3232 (GS-3232 models with 6 button, 2 speed lift controller)(complete platform control box with coil cord, bracket not included) to SN GS14A-134999	
				--	219205	FLASH DRIVE,SL1K1.0 SOFTWARE (GS-3232 models with 6 button, 2 speed lift controller)(complete platform control box with coil cord, bracket not included) to SN GS14A-134999	

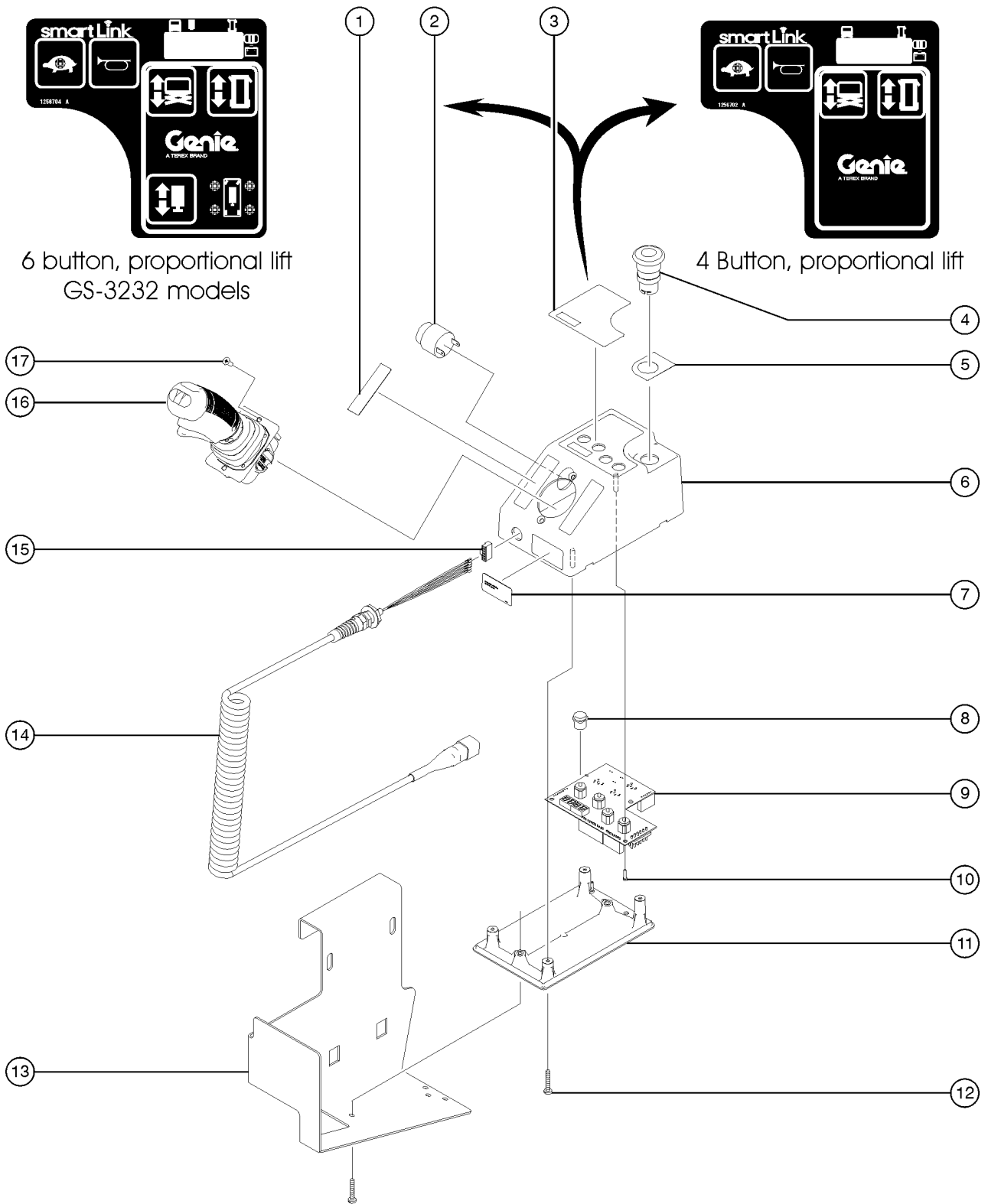
404.1 Platform Controls, 8 and 6 Button (2 Speed Lift)
(continued)

Item	Part No.	Description	Qty.	Item	Part No.	Description	Qty.
M	137587	HARNESS, ESTOP, GR/GRC/GS PCON		9A	137522	PCBA, GC14-1.....1 GS-2032, GS-2632, GS-2046, GS-2646, GS-3246 (models with 6 button, 2 speed controller) to SN GS14A-134999 and to SN GS14C-13999	1
1	137656	DECAL,PROPEL,GR/GRC/GS,PCON.1		9B	137711	PCBA, GC16-1.....1 GS-3232	1
2	39540	ALARM,STEADY TONE***1		10	137637	SCREW,PHM,4-20X.5, 48-2 TRI-L	
3A	137636	UI, GR/GRC/GS PCON DECAL.....1 GS-2032, GS-2046, GS-2632, GS-2646, GS-3246 (For models with 6 button, 2 speed lift controller)(complete platform control box with coil cord, bracket not included) to SN GS14A-134999 and to SN GS14C-13999		11	T106370	ENCLOSURE,GC14-1/GC16-1, BOT.....1	1
3B	137693	DECAL, UI, GS3232, PCON.....1 GS-3232 (For models with 6 button, 2 speed lift controller)(complete platform control box with coil cord, bracket not included) to SN GS14A-134999		12	137640	SCREW,PHM,8-16X.75, 48-2 TRI-L	
3C	1256703	DECAL, STD, PROP LIFT, UI, SVC.....1 GS-2032, GS-2046, GS-2632, GS-2646, GS-3246(units converted from 6 button, 2 speed lift to 4 button, proportional controller)		13	T114397	FORMING,PLAT CONTROL BOX (decals not included, refer to section one)	
3D	1256705	DECAL, O/R, PROP LIFT, UI, SVC.....1 GS-3232 (units converted from 6 button, 2 speed lift to 4 button, proportional controller)		14	235464	KIT,COIL CORD,CONTRLR,SL1000.....1 includes item 15	1
4	66812	BUTTON,PUSH,RED MUSHROOM HEAD.....1		15	137699	PLUG, 6POS ECO PWR.....1	1
--	66817	BASE WITH 1 NC CONTACT, E-STOP		16		Ref., JOYSTICK.....1 (refer to 406.1)	1
5	137605	DECAL,E-STOP,GR/GRC/GS PCON.....1		16	-	Ref., JOYSTICK.....1 (refer to 406.1)	1
6A	T106368	ENCLOSURE, GC14-1, TOP.....1 GS-2032, GS-2046, GS-2632, GS-2646, GS-3246		17	229845	SCREW,BHSCS,M5X10,SS apply Loctite 243 or equivalent before installation	
6B	T106367	ENCLOSURE, GC16-1, TOP.....1 GS-3232					
7A	137642	LABEL, GR/GRC/GS PCON.....1 GS-2032, GS-2632, GS-2046, GS-2646, GS-3246 (models with 6 button, 2 speed controller) to SN GS14A-134999 and to SN GS14C-13999					
7B	137603	LABEL, GS3232 PCON.....1 GS-3232					
8	T106373	CAP,BUTTON,K12.....6 GS-2032, GS-2046, GS-2632, GS-2646, GS-3246					

404.1 Platform Controls, 8 and 6 Button (2 Speed Lift)
(continued)

This Page Intentionally Left Blank

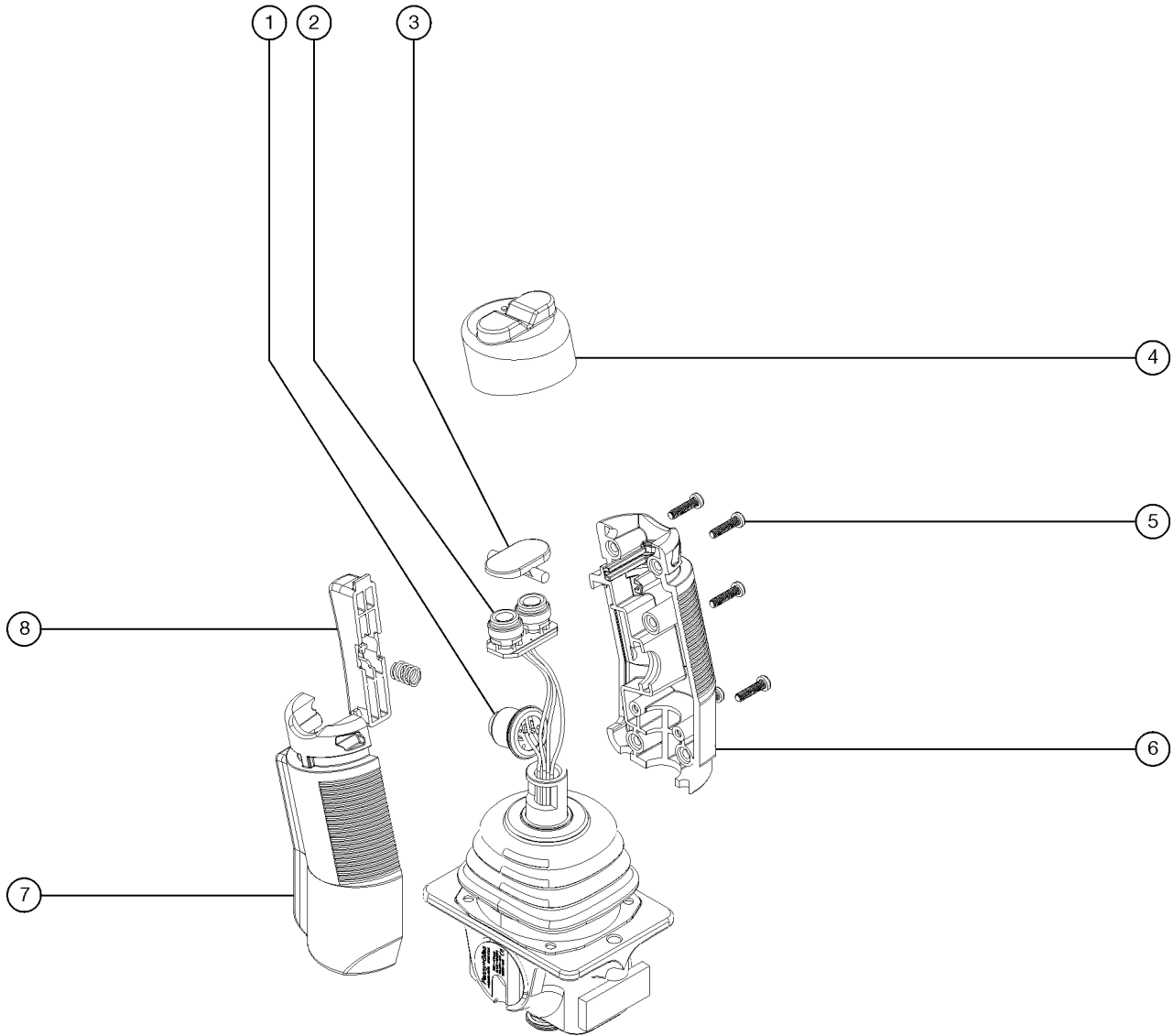
405.1 Platform Controls, 6 and 4 Button (Proportional Lift)



405.1 Platform Controls, 6 and 4 Button (Proportional Lift)

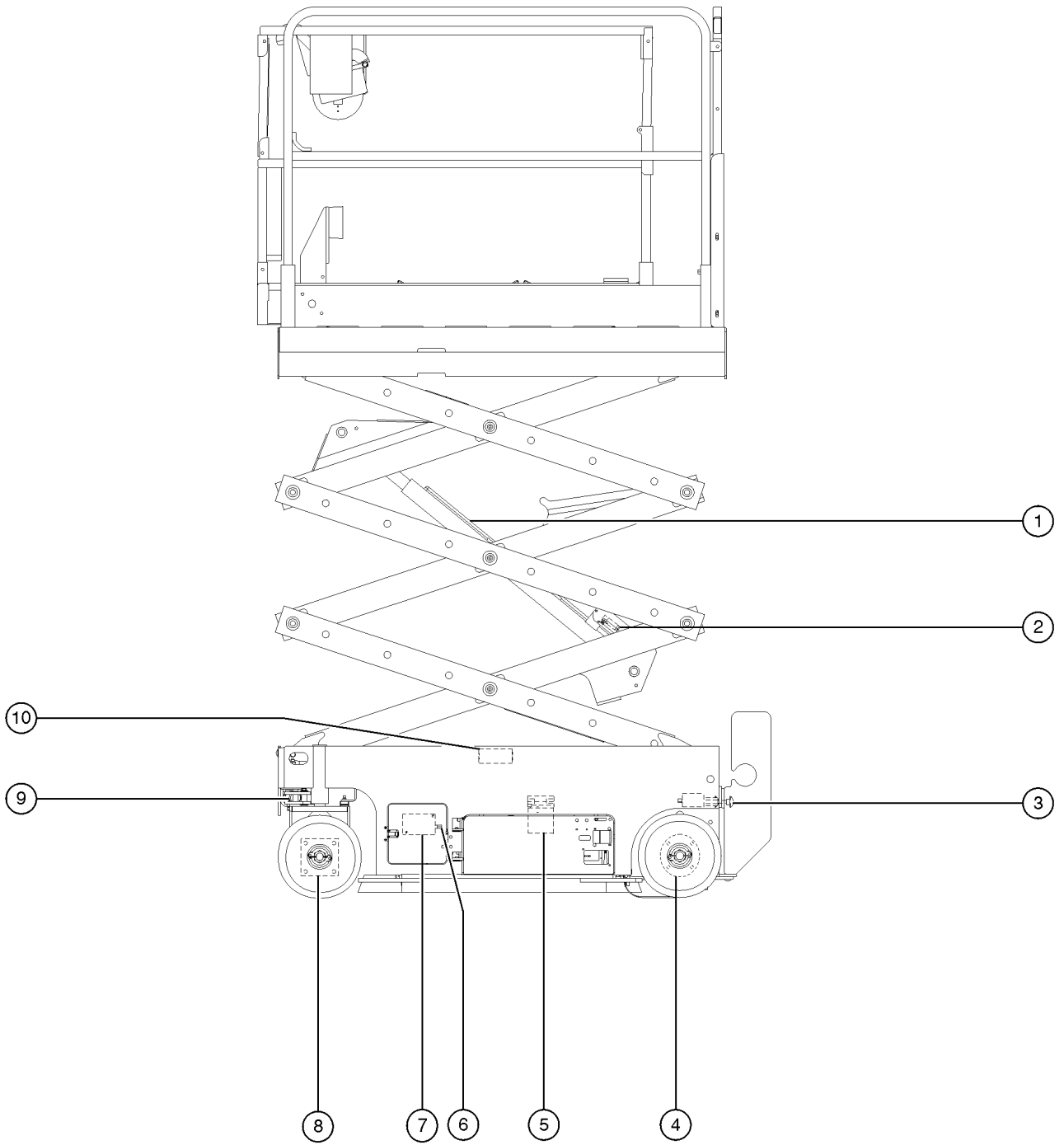
Item	Part No.	Description	Qty.	Item	Part No.	Description	Qty.
A	1256727	PCON,STD,PROP LIFT,GR/GS GS-2032, GS-2046, GS-2632, GS-2646, GS-3246, complete platform control box with coil cord, bracket not included		7A		(component no longer available)	
--	1258731	FLASH DRIVE,SL1K2.0 SOFTWARE (For proportional lift or upgrade kits only. Software update available on-line. Flash drive sold separately.)		7B	1256812	LABEL,PCON O/R,GS,SERIAL.....1 GS-3232	1
--	137587	HARNESS, ESTOP, GR/GRC/GS PCON		8	T106373	CAP,BUTTON,K12.....6 GS-2032, GS-2046, GS-2632, GS-2646, GS-3246	6
B	1256728	PCON,O/R,PROP LIFT,GS GS-3232, complete platform control box with coil cord, bracket not included		9A	1256725	PCBA,PCON STD,PROP LIFT.....1 GS-2032, GS-2046, GS-2632, GS-2646, GS-3246	1
--	1258731	FLASH DRIVE,SL1K2.0 SOFTWARE (For proportional lift or upgrade kits only. Software update available on-line. Flash drive sold separately.)		9B	1256726	PCBA,PCON O/R,PROP LIFT.....1 GS-3232	1
--	137587	HARNESS, ESTOP, GR/GRC/GS PCON		10	137637	SCREW,PHM,4-20X.5, 48-2 TRI-L	
1	137656	DECAL,PROPEL,GR/GRC/GS,PCON.1	1	11	T106370	ENCLOSURE,GC14-1/GC16-1, BOT.....1	1
2	39540	ALARM,STEADY TONE***	1	12	137640	SCREW,PHM,8-16X.75, 48-2 TRI-L	
3A	1256702	DECAL, UI, GS/GR, PROP LIFT.....1 GS-2032, GS-2046, GS-2632, GS-2646, GS-3246 (models with 4 button, proportional controller)	1	13	T114397	FORMING,PLAT CONTROL BOX (decals not included, refer to section one)	
3B	1256705	DECAL, O/R, PROP LIFT, UI, SVC.....1 GS-3232 (models with 4 button, proportional controller)	1	14	235464	KIT,COIL CORD,CONTRLR,SL1000.....1 includes item 15	1
3C		REF: DECAL,STD,PROP LIFT,UI,SVC.....1 (units converted from 6 button, 2 speed lift to 4 button, proportional controller, refer to 407.1)	1	15	137699	PLUG, 6POS ECO PWR.....1	1
4	66812	BUTTON,PUSH,RED MUSHROOM HEAD.....1	1	16		Ref., JOYSTICK.....1 (refer to 406.1)	1
--	66817	BASE WITH 1 NC CONTACT, E-STOP		17	229845	SCREW,BHSCS,M5X10,SS apply Loctite 243 or equivalent before installation	
5	137605	DECAL,E-STOP,GR/GRC/GS PCON.....1	1				
6A	1256656	ENCLOSURE,STD 4-BUTTON,TOP.....1 GS-2032, GS-2046, GS-2632, GS-2646, GS-3246	1				
6B	1256658	ENCLOSURE, O/R 5-BUTTON,TOP.....1 GS-3232	1				

406.1 Joystick Controller



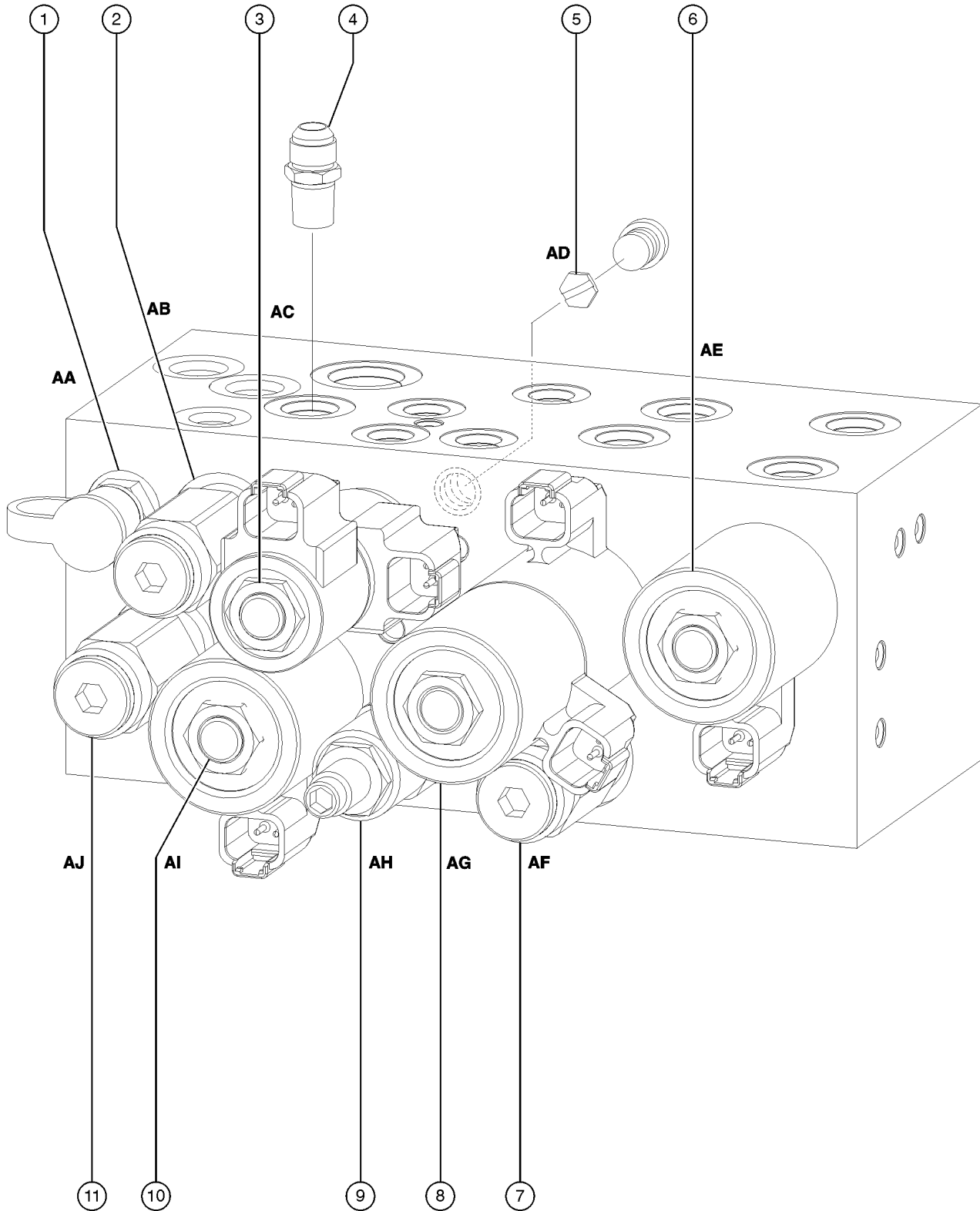
Item	Part No.	Description	Qty.
--	137634	JOYSTICK, HALL EFFECT, SINGLE	
--	229097	TERMINAL, SPLINE (AMP)	
--	214544	KIT,BOOT,JOYSTICK,SL1000 <i>joystick boot</i>	
1	235463	KIT,SWITCH,JYSTK,SL1000 <i>function enable and steer switches</i>	
2	235463	KIT,SWITCH,JYSTK,SL1000 <i>function enable and steer switches</i>	
3	229092	ROCKER,2 SWITCH.....	1
4	229093	BOOT, 2 SWITCH, SILICON.....	1
5	229086	SCREW, SELF TAP.....	2
6	229087	HANDLE HALF,RIGHT,W/TOP SWITCH.....	1
6A	229091	SCREW,GRUB,M5X8MM,HLF DOG,BZP <i>for 229087</i>	
7	229088	HANDLE HALF,LEFT,W/TOP SWITCH.....	1
7A	229090	SCREW,GRUB,M5X8MM CUP(BLK) <i>for 229088</i>	
8	229089	TRIGGER, EXTENDED.....	1
--	229094	SPRING, HANDLE TRIGGER.....	1

501.1 Hydraulic Components



Item	Part No.	Description	Qty.
1		Ref. Lift Cylinder Assembly <i>(refer to 505.1)</i>	
2		Ref. Pressure Transducer <i>(refer to 701.1)</i>	
3		Ref. Brake Release Hand Pump Manifold <i>(refer to 503.1)</i>	
4	96257	BRAKE, HYDRAULIC***	2
5A	78622	FILTER ASSY, SAE8, 10 MIC, PAPER**	1
		<i>(paper, standard)</i>	
--	44788	FILTER ELEMENT, 10 MICRON, PAPER* <i>(paper, standard)</i>	
5B	T114321	FILTER ASSY, FIBRGLS, #8-#8	1
		<i>(fiberglass, optional upgrade)</i>	
--	44207	FILTER ELEMENT, BETA(10)=200 <i>(fiberglass, optional upgrade)</i>	
6		Ref. Check Valve <i>(refer to 502.1)</i>	
7		Ref. Function Manifold <i>(refer to 502.1)</i>	
8	96417	DRIVE MOTOR, 18.3 CU. IN/REV.....	2
--	96419	SEAL KIT, RC SERIES DR MOTOR*** <i>(for 96417)</i>	
9	105547	CYLINDER, GS/GR STEER***	1
--	105550	KIT, STEER CYL SEAL	
--	105553	KIT, STEER CYL SEAL, 040271P, HDM <i>(for code H408147 and up)</i>	
--	105554	KIT, STEER CYL SEAL, 040499P, HDM <i>(for code H41109 and up)</i>	
--	105555	KIT, STEER CYL SEAL, 040505P, HDM <i>(for codes H41205, H41255, and H501111 and up)</i>	
10	78422	ACCUMULATOR, 180 PSI PRECHARGE*	1

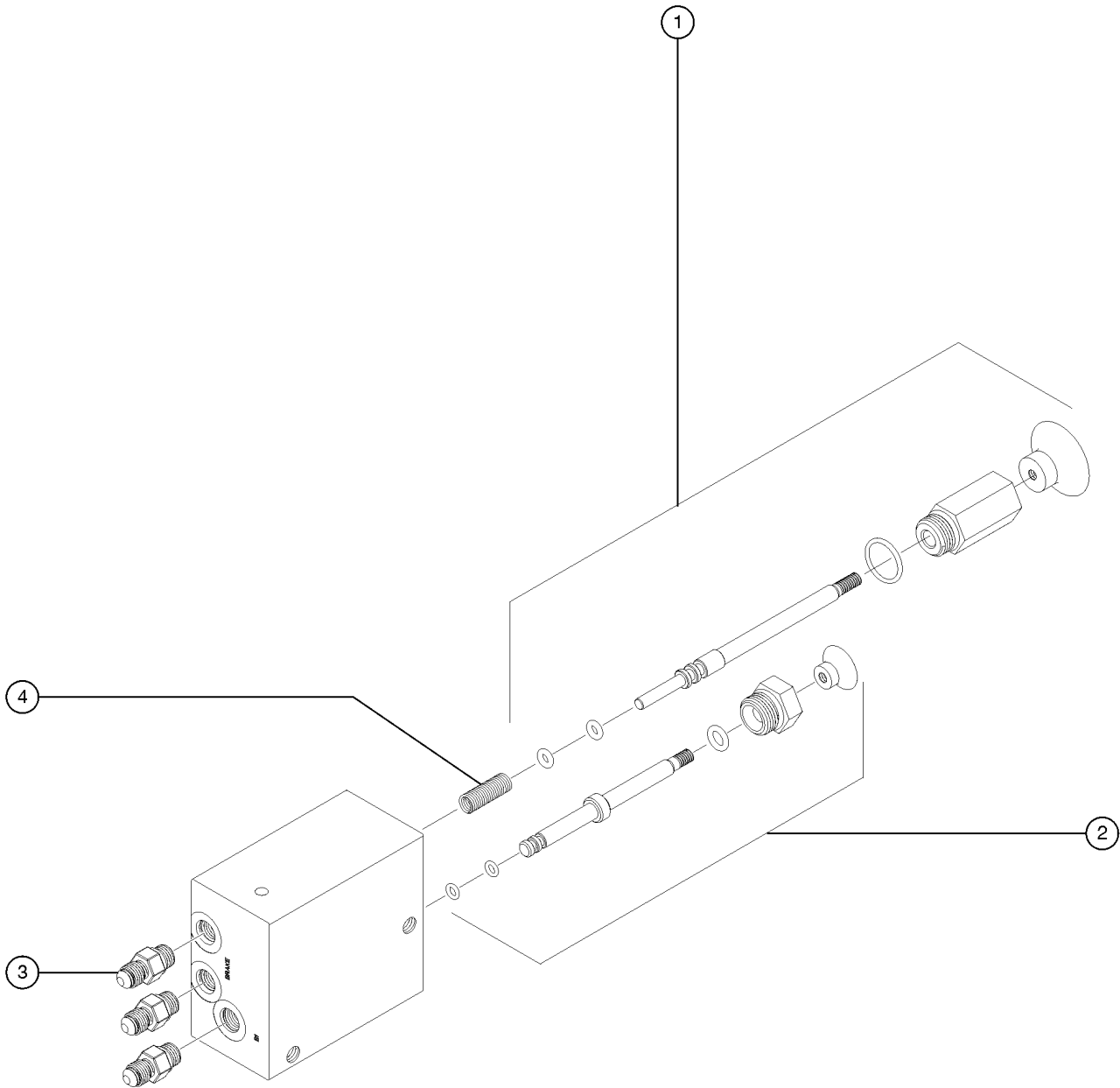
502.1 Function Manifold



502.1 Function Manifold

Item	Part No.	Description	Qty.	Item	Part No.	Description	Qty.
--	105463	126,DYN.BRAKING,MANIF,32/46		--	44230	SEAL KIT-P.N.44169,44172,44171	
--	150105	MANIFOLD,FUNCTION,2 SPEED (does not include check valve, item 4)		10	44169	VALVE-SOLENOID, 2POS 4 WAY (AI, Platform up)	
--	49612	O-RING KIT (ORFS FITTINGS)		--	44175	SPACER-DUAL COIL,#10, SCISSORS (sold separately)	
--	49613	PLUG AND CAP KIT-SERVICE,ORFS*		--	44230	SEAL KIT-P.N.44169,44172,44171	
1	48997	NIPPLE,DIAGNOSTIC,#4 PORT*** (AA, Testing)		--	84385	COIL,20VDC DEUTCSH W/DIODE (sold separately)	
--	20224	DIAGNOSTIC FEMALE Q-DSCNT		11	65962	VALVE-RELIEF, 3700 PSI #8** (AJ, Lift relief)	
--	48880	CAP,DIAGNOSTIC NIPPLE		--	44226	SEAL KIT-FOR P.N.44167	
2	65962	VALVE-RELIEF, 3700 PSI #8** (AB, System relief)					
--	44226	SEAL KIT-FOR P.N.44167					
3	44168	VALVE,SOLENOID,3POS 4WAY (AC, Steer left/right)					
--	44174	NUT-COIL SHORT (sold separately)					
--	44229	SEAL KIT, VALVE					
--	44236	SPACER-DUAL COIL,#8*** (sold separately)					
--	77709	COIL,#8 20VDC,DEUTSCH W/DIODE (sold separately)					
4	237086	VALVE,CHECK,#6-#6,MJIC TO MORB GS-3232, GS-3246 (Australia & CE) (sold separately)					
5	84386	CHECK DISK, NO SPRING (AD, Steer circuit)					
6	44171	VALVE-SOLENOID,2POS 4WAY** (AE, Drive speed select circuit)					
--	44175	SPACER-DUAL COIL,#10, SCISSORS (sold separately)					
--	44230	SEAL KIT-P.N.44169,44172,44171					
--	84385	COIL,20VDC DEUTCSH W/DIODE (sold separately)					
7	97409	VALVE,DIFF.AREA RELIEF,50PSI (AF, Brake release)					
8	150104	VALVE, DYN. BRAKING, GS32/46					
--	44175	SPACER-DUAL COIL,#10, SCISSORS (sold separately)					
--	84385	COIL,20VDC DEUTCSH W/DIODE (sold separately)					
9	84384	PRTY,FLOW CNTRL VALVE,.75 GPM (AH, Steer circuit)					

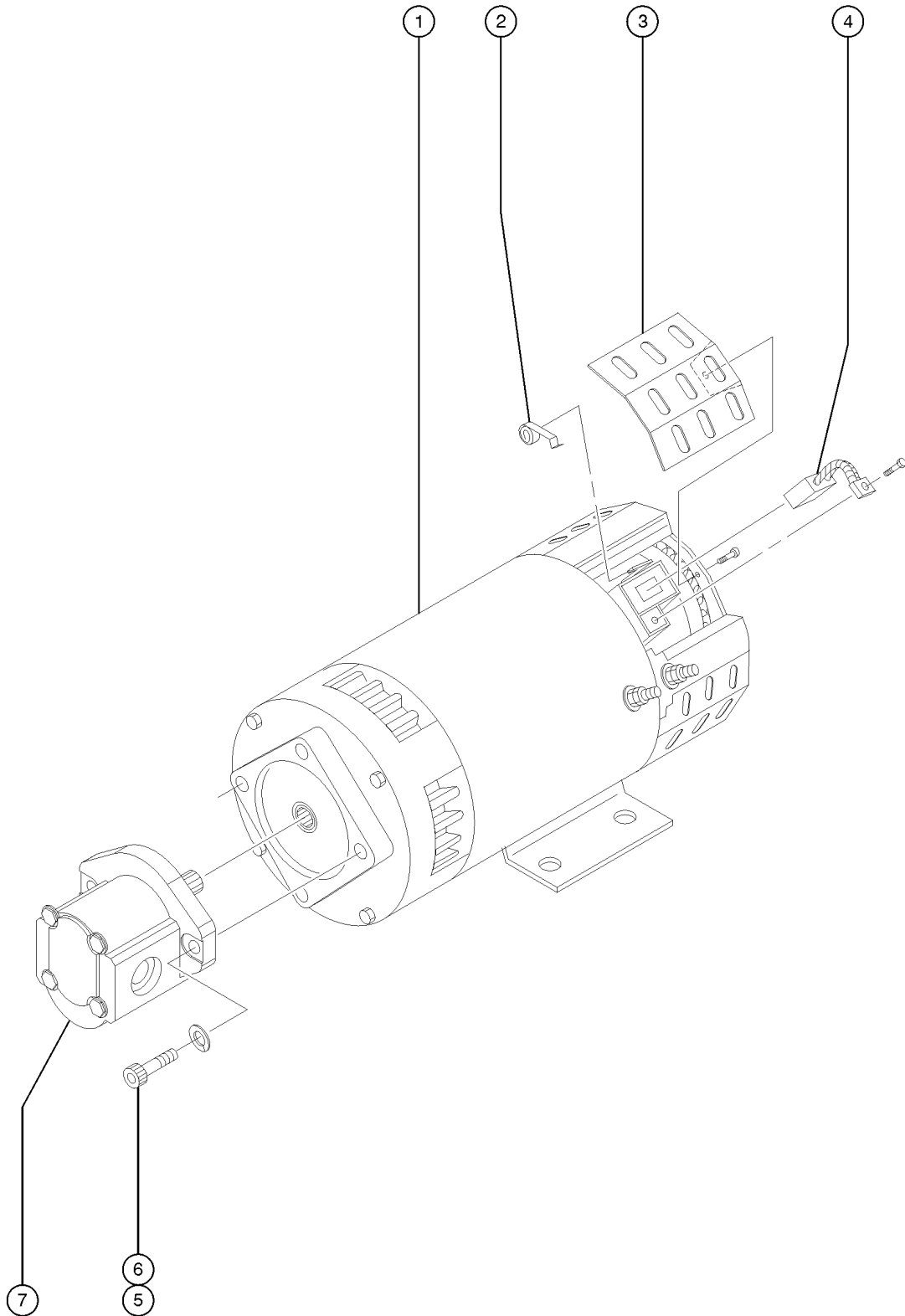
503.1 Brake Release Hand Pump Manifold



503.1 Brake Release Hand Pump Manifold

Item	Part No.	Description	Qty.
--	105067	MANIFOLD,BRAKE RELEASE <i>(includes items 1, 2 and 4)</i>	
1	84739	VALVE,HAND PUMP ASSEMBLY***	1
--	84740	SEAL KIT,HAND PUMP***	
--	84742	KNOB,HAND PUMP (RED)***	
2	84743	VALVE,PILOT OPERATED ASSEMBLY*	1
--	84740	SEAL KIT,HAND PUMP***	
--	84746	KNOB,PILOT OP VALVE (BLACK)***	
3	39877	CONNECTOR,070120-4-4.....	3
4	84748	SPRING,HAND PUMP ROD.....	1

504.1 Hydraulic Power Unit, All Models

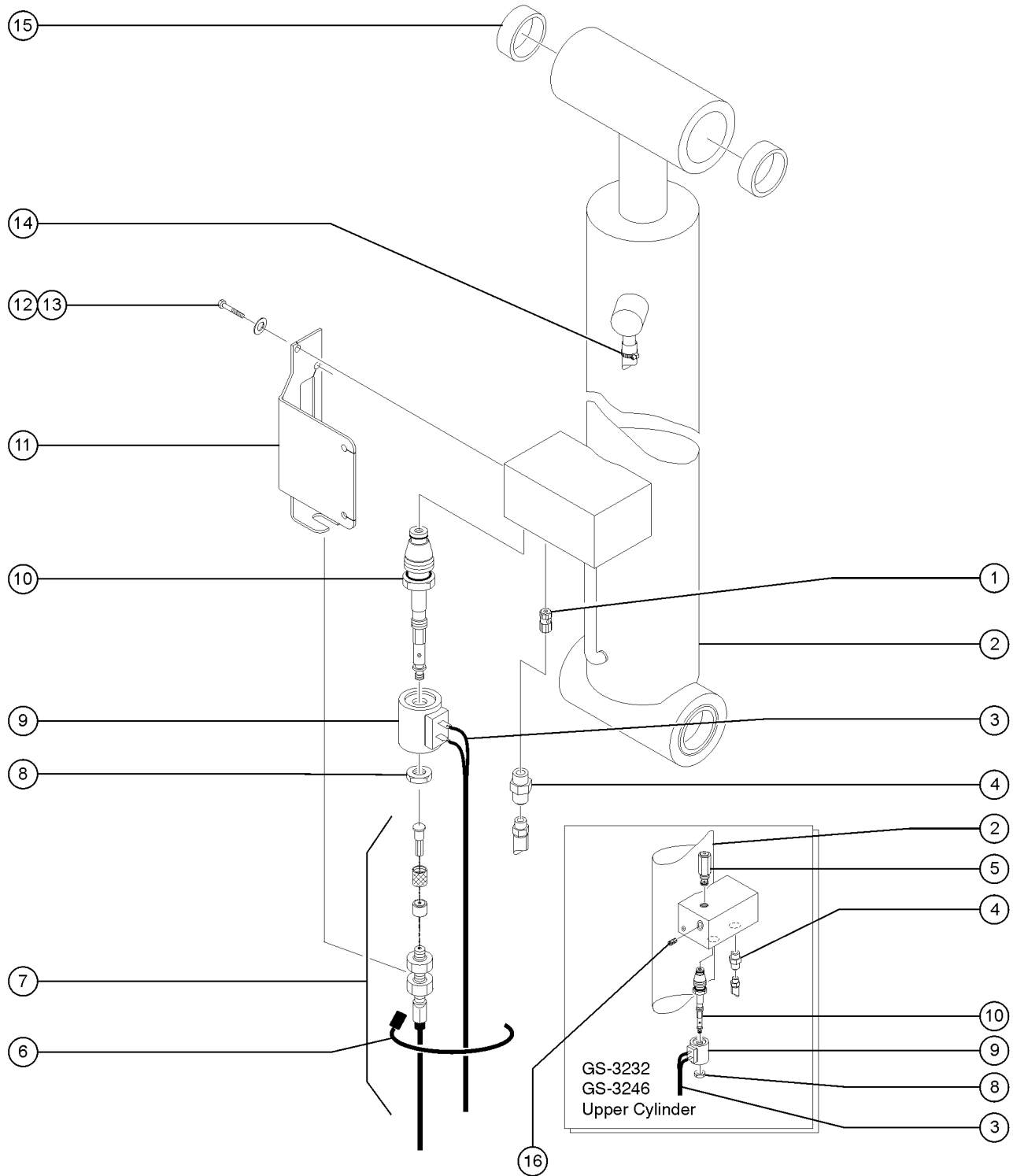


504.1 Hydraulic Power Unit, All Models

Item	Part No.	Description	Qty.	Item	Part No.	Description	Qty.
--	49812	BAND KIT,5.6" DIA MOTOR*** <i>Band Kit (EE models)</i>		7E	1255060	KIT, 5CC PUMP UPGRADE <i>For GS-47; Software required - order 219205 shown below (for SN 4712C-101 to C1459)</i>	
--	78006	FORMING,PADLOCK BRACKET		7E	219205	FLASH DRIVE,SL1K1.0 SOFTWARE <i>required software for 1255060</i>	
--	44716	HANDLE,ANDERSON CONNECTOR SB		--	T108662	PUMP,5.6CC GEAR,CCW <i>for 1255060</i>	
1	40844	MOTOR,ELECTRIC,24VDC 4.5HP.....1	1	7F	219205	FLASH DRIVE,SL1K1.0 SOFTWARE <i>required software for 1255060</i>	
--	43685	SEAL KIT,LIFT PUMP,BARNES**					
--	44777	BEARING,MOTOR					
--	44778	BEARING,MOTOR,36843,BRUSH END*					
2	44750	SPRING-BRUSH,40844, SCISSORS.....4	4				
3	44752	COVER-BRUSH INSPEC.40844,SCISS.....4	4				
4	44751	BRUSH,PWR UNIT (40844)**.....4	4				
5	55921	SCREW,SHC,3/8-24 X 1.25"					
6	6021	WASHER,LOCK,,375					
7A	96193	PUMP,4CC GEAR,CCW***1 <i>(Bosch/Rexroth) (check pump ID plate for correct seal kit) (to SN 3214A-119070, 4614A-117177, 3214C-11873, 4614C-12073)</i>	1				
--	85197	SEAL KIT,BOSCH PUMP*** <i>For Bosch PN 9510290001</i>					
7B	T108662	PUMP,5.6CC GEAR,CCW.....1 <i>(from SN 3214A-119071, 4614A-117178, 3214C-11874, 4614C-12074)</i>	1				
--	236837	SEAL KIT,PUMP,5.6CC GEAR <i>for T108662</i>					
7C	1255060	KIT, 5CC PUMP UPGRADE <i>For GS-32; Software required - order 219205 shown below (for SN 3211A-110000 to A119070, 3212C-10000 to C11873)</i>					
--	T108662	PUMP,5.6CC GEAR,CCW <i>for 1255060</i>					
7D	1255060	KIT, 5CC PUMP UPGRADE <i>For GS-46; Software required - order 219205 shown below (for SN 4611A-110000 to 117177, 4612C-10000 to 12073)</i>					
--	T108662	PUMP,5.6CC GEAR,CCW <i>for 1255060</i>					



505.1 Lift Cylinder Assembly, All Models

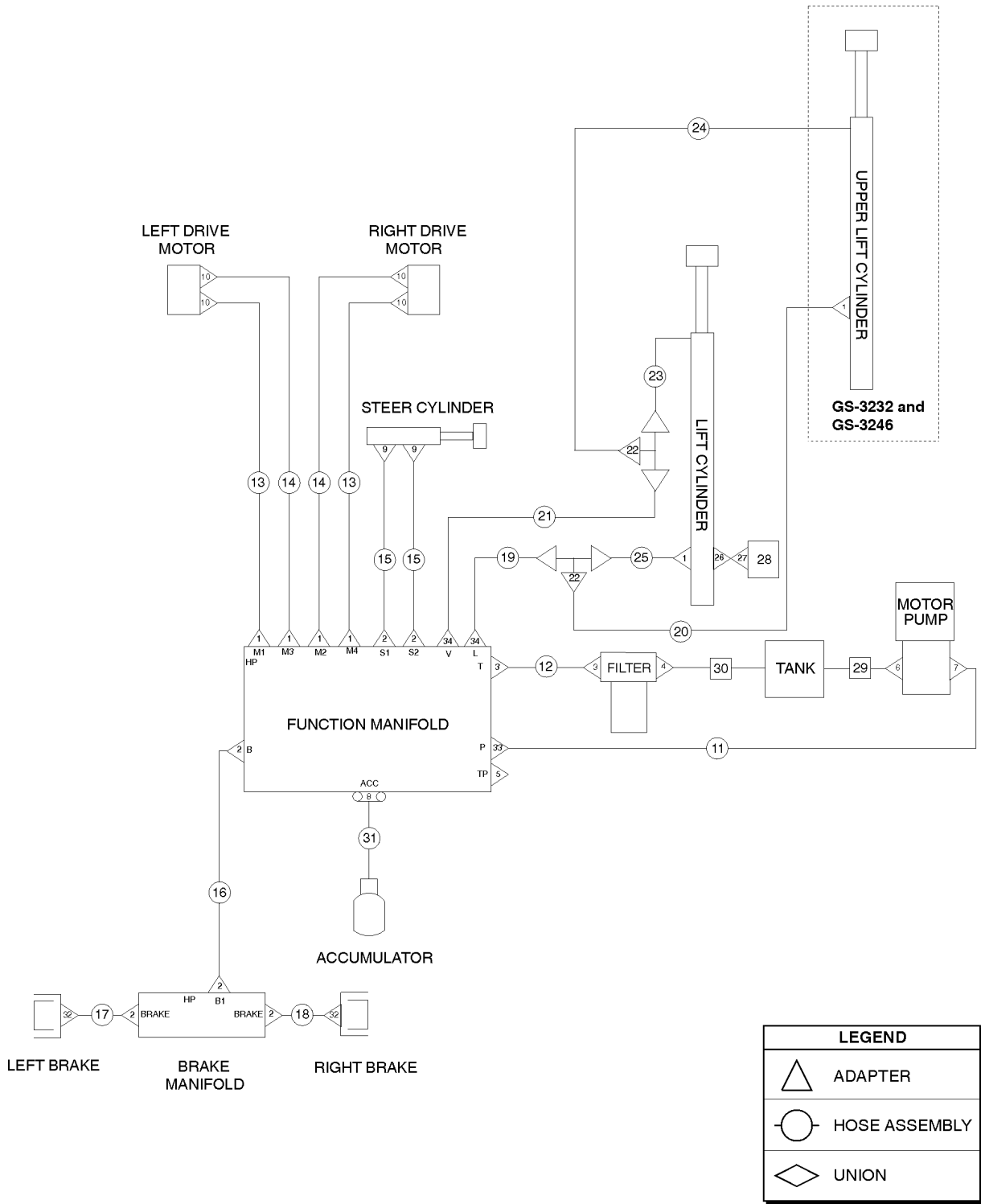


505.1 Lift Cylinder Assembly, All Models

Item	Part No.	Description	Qty.	Item	Part No.	Description	Qty.
1A	55560	ORIFICE, LONG, .059" GS-2032, GS-2632, GS-2046, GS-2646, GS-3232, GS-3246		--	40477	VALVE, CARTRIDGE***	
--	105479	KIT, TWO ORIFICE, .059"		--	44979	SEAL KIT, 39909, PLAT LWR VALVE*	
--	105481	KIT, ORIFICE, .059"		11	41557-S	CABLE BRACKET, PAINTED.....1	
2A	105544	CYLINDER, 20XX LIFT.....1 GS-2032, GS-2046		12	7339	SCREW, HHC, 1/4-20 X .5	
--	105549	SEAL KIT (105545) (for PN 105544)		13	6356	WASHER, LOCK, .25	
2B	105545	CYLINDER, 26XX/32XX LIFT.....1 GS-2632, GS-2646		14	96770	CLAMP, HOSE, 1 EAR, 11/16.....1	
--	105549	SEAL KIT (105545) (for PN 105545)		15	105478	BEARING, 1.5025IDX1.5075ODX1.5L.4	
2C	105546	CYLINDER, 32XX UPPER LIFT.....1 GS-3232, GS-3246 (upper cylinder)		16	55558	ORIFICE, LONG, .037***1 GS-3232, GS-3246	
--	105564	SEAL KIT (105546) (for PN 105546)					
2D	105545	CYLINDER, 26XX/32XX LIFT.....1 GS-3232, GS-3246 (lower cylinder)					
--	105549	SEAL KIT (105545) (for PN 105545)					
3		Ref. Down Coil Wire Harness (refer to 211.1)					
4	39878	CONNECTOR, 070120-6-6.....1					
5	97130	VALVE-RELIEF, 2500 PSI					
5A	97130	VALVE-RELIEF, 2500 PSI to SN GS3212A-112398; to SN GS3213C-10443; to SN GS4612A-111452; to SN GS4613C-10514					
--	44227	SEAL KIT, VALVE for 97130					
5B	237455	VALVE, RELIEF, 2900 PSI, BOSCH from SN GS3212A-112399; from SN GS3213C-10444; from SN GS4612-111453; from SN GS4613C-10515					
6	28443	CABLE TIE, 11.5" BLACK.....3					
7		Ref. Emergency Down Cable (refer to 203.1)					
8	44973	NUT, COIL (39909).....1					
9	84422	COIL-SOLENOID VALVE, 20V DC***1 (direct replacement for 66467)					
10	66465	VALVE, W/NC SOLENOID, MANUAL***1 (includes items 7 and 8)					



506.1 Hydraulic Hoses and Fittings



506.1 Hydraulic Hoses and Fittings

Item	Part No.	Description	Qty.	Item	Part No.	Description	Qty.
--		<i>The hose lengths below reflect the length of the hose only. Refer to the 'Fittings Cross Reference' to match Genie part numbers to Parker part numbers.</i>		15	105578	HOSE,ASSY STEER,GS32/46.....2 (Components: 78855, 78855, and 78852 @ 36 inches)	
1	39878	CONNECTOR,070120-6-6.....5		16A	105804	HOSE,ASSY,BRAKE MAN,GS32.....1 GS-2032, GS-2632, GS-3232 (Components: 78855, 78855, and 78852 @ 62 inches)	
2	39877	CONNECTOR,070120-4-4.....6		16B	105577	HOSE,ASSY,BRAKE,GS46.....1 GS-2046, GS-2646, GS-3246 (Components: 78855, 78855, and 78852 @ 65 inches)	
--	39882	PLUG,HEX SOCKET,090109B-4.....1		17A	96391	HOSE, ASSY.....2 GS-2032, GS-2632, GS-3232 (Components: 78855, 78855, and 78852 @ 17 inches)	
3	66389	CONN,070120-6-8.....2		17B	105803	HOSE,ASSY, BRAKE MAN,GS46....2 GS-2046, GS-2646, GS-3246 (Components: 39890, 39890, and 78852 @ 22 inches)	
4	96398	CONNECTOR, 070120-12-8.....1		18A	96391	HOSE, ASSY.....2 GS-2032, GS-2632, GS-3232 (Components: 78855, 78855, and 78852 @ 17 inches)	
5		Ref. Diagnostic Nipple 502.1		18B	96749	HOSE, ASSY, BRAKE MAN, GS46.....2 GS-2046, GS-2646, GS-3246 (Components: 78855, 78855, and 78852 @ 20 inches)	
6	22664	ELBOW,070220-12-10.....1		19	96750	HOSE, ASSY, LIFT.....1 (Components: 39890, 39890, and 56776 @ 42 inches)	
7	39876	ELBOW,070220-6-8.....1		20	96880	HOSE,ASSY,UPPER LIFT.....1 GS-3232, GS-3246 (Components: 39890, 39891, and 56776 @ 297 inches)	
8	39877	CONNECTOR,070120-4-4.....1		21	96881	HOSE,ASSY,VENT.....1 (Components: 96406, 96407, and 75631 @ 42 inches)	
9A	13921	ELBOW,070220-4-4.....2 GS-2032, GS-2632, GS-2046, GS-2646		22	51152	TEE,RUN 070432-6*****.....2 GS-3232, GS-3246	
9B	13921	ELBOW,070220-4-4.....4 GS-3232, GS-3246		23	75631	HOSE,AIR 3/8.....161-inches (for hose ends see items 31 & 34)	
10	39873	ELBOW,070220-6-6.....4		23	96882	HOSE,LOWER VENT.....1 (Components: 75631 @ 161 inches)	
11	96744	HOSE, ASSY, PRESSURE.....1 (Components: 39890, 39890, and 56776 @ 50 inches)		24	96883	HOSE,UPPER VENT.....1 GS-3232, GS-3246 (Components: 105045, and 75631 @ 320 inches)	
12	96348	HOSE, ASSY, MAN TO FILTER.....1 (Components: 96406, 96406, and 75631 @ 25 inches)		25	105046	HOSE ASSY,LOWER LIFT.....1 (Components: 39890, 47223, and 56776 @ 127 inches)	
13A	105802	HOSE ASSY,DRIVE MOTORS,GS32.....2 GS-2032, GS-2632, GS-3232 (Components: 39890, 39890, and 56776 @ 50 inches)					
13B	105801	HOSE ASSY,DRIVE MOTORS,GS46.....2 GS-2046, GS-2646, GS-3246 (Components: 39890, 39890, and 56776 @ 60 inches)					
14A	105579	HOSE ASSY,DRIVE MOTORS,GS32.....2 GS-2032, GS-2632, GS-3232 (Components: 39890, 39890, and 56776 @ 54 inches)					
14B	105580	HOSE ASSY,DRIVE MOTORS,GS46.....4 GS-2046, GS-2646, GS-3246 (Components: 39890, 39890, and 56776 @ 64 inches)					

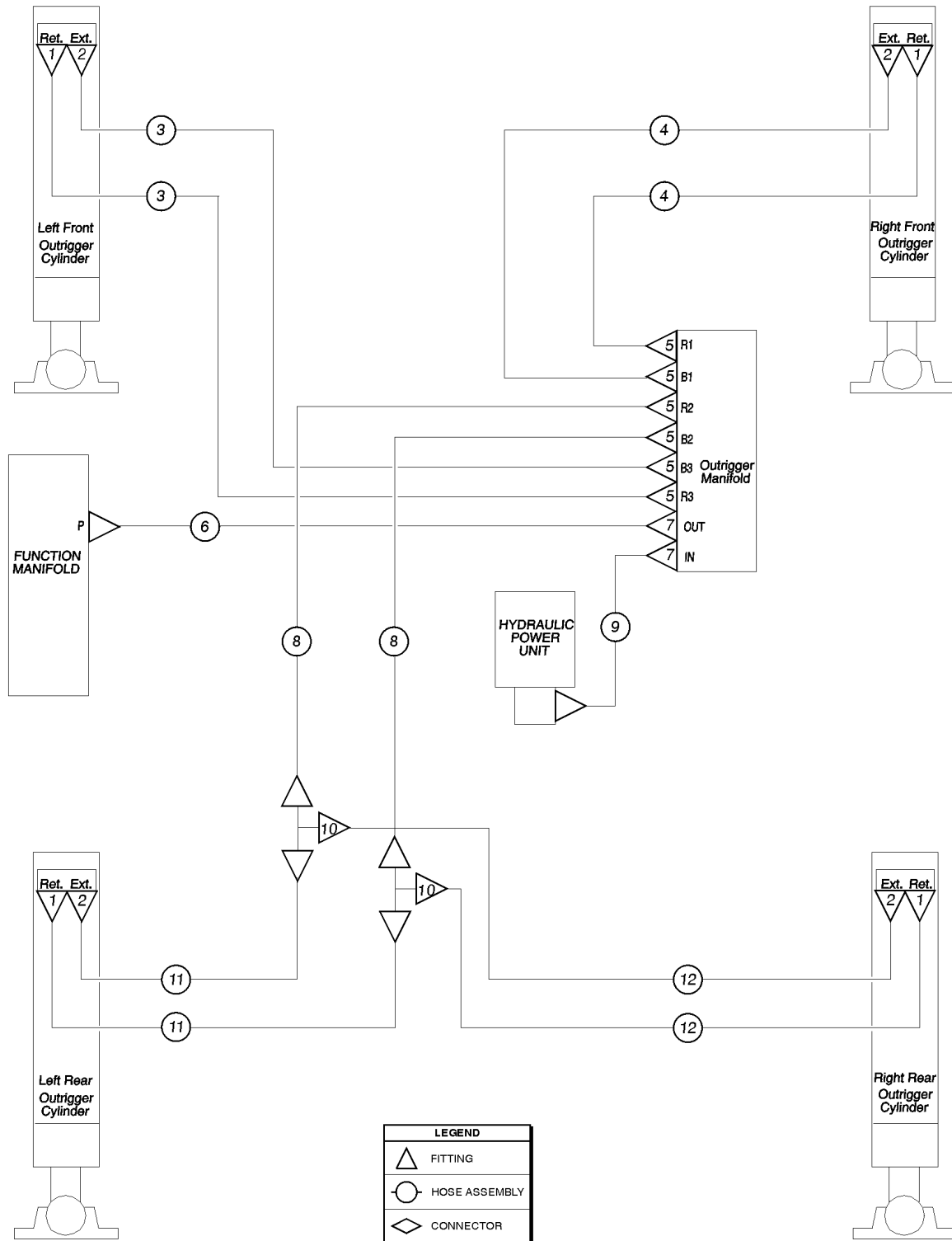


506.1 Hydraulic Hoses and Fittings
(continued)

Item	Part No.	Description	Qty.
26	96885	CONN,SWIVEL,STR,THR,465OX-S.1	
27	39881	CONNECTOR,070120-4-6.....1	
28		Ref.Pressure Switch 701.1.....1	
29	96354	TUBE, ASSY, DRAW.....1	
30	96355	TUBE, ASSY, RETURN.....1	
31	105246	HOSE ASSY, MAN/ACCUM, GS32/46.....1 (Components: 78855, 78855, and 78852 @ 17 inches)	
32	39877	CONNECTOR,070120-4-4.....2	
33A	39878	CONNECTOR,070120-6-6.....1	
33B	237086	VALVE,CHECK,#6-#6,MJIC TO MORB.....1 GS-3232, GS-3246 (Australia, CE)	
34	130011	HOSE CLAMP, SAE #6.....2 GS-3232, GS-3246	
34A	42283	ELBOW,070320-6-6.....2	
34B	130011	HOSE CLAMP, SAE #6.....2 GS-3232, GS-3246	

This Page Intentionally Left Blank

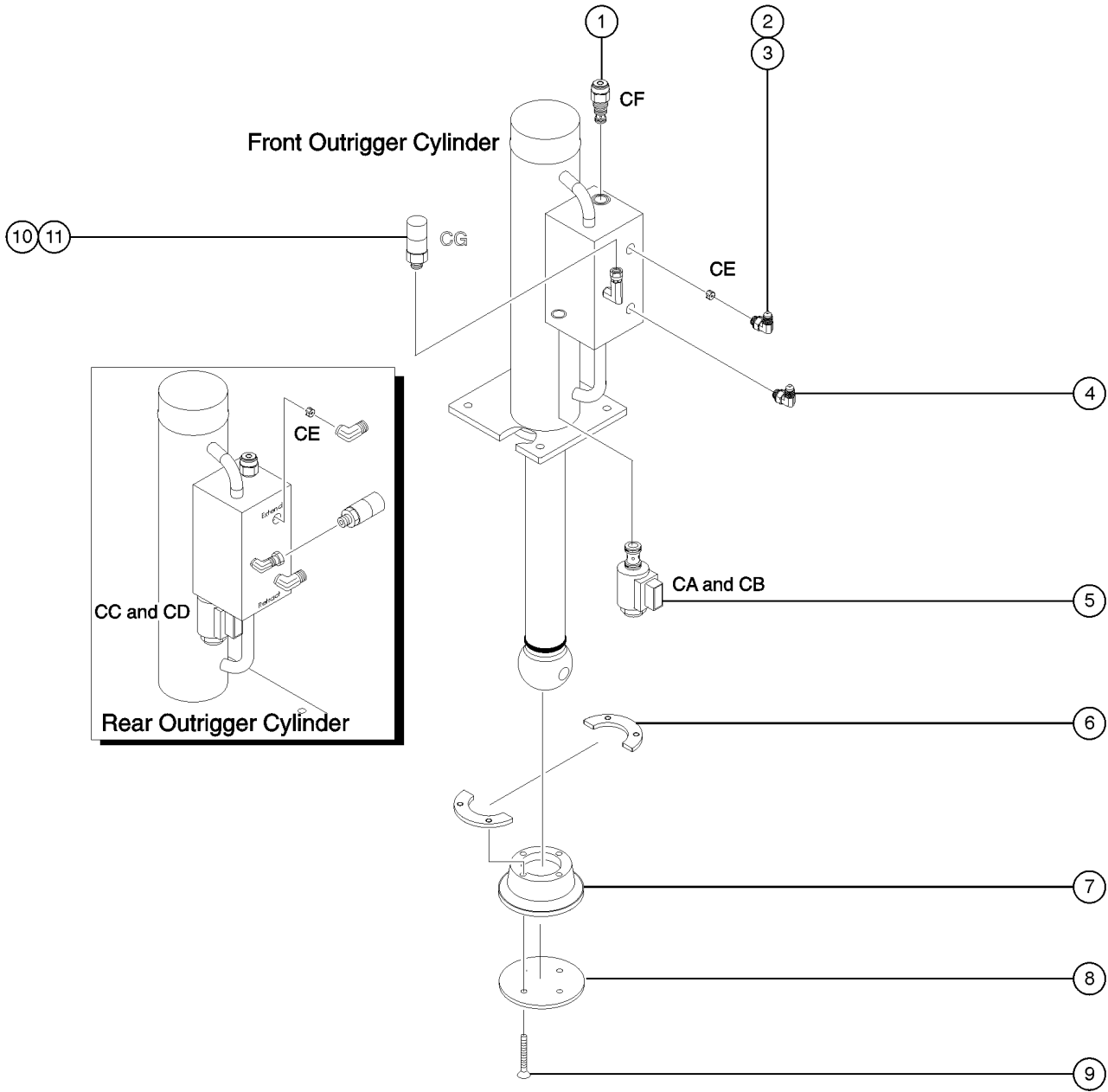
507.1 Hydraulic Hoses and Fittings, Outriggers, GS-3232



507.1 Hydraulic Hoses and Fittings, Outriggers, GS-3232

Item	Part No.	Description	Qty.
1	13921	ELBOW,070220-4-4.....	4
2	39875	ELBOW,070220-4-6.....	4
3	105645	HOSE ASSY,LT FRONTO/R,GS3232..... <i>(Components: 78855, 78855, and 78852 @ 12 inches)</i>	2
4	105648	HOSE ASSY,RT FRONT O/R,GS3232..... <i>(Components: 78855, 78855, and 78852 @ 36 inches)</i>	2
5	39877	CONNECTOR,070120-4-4.....	6
6	105650	HOSE ASSY,MANIFOLD, GS3232..... <i>(Components: 39890, 39890, and 56776 @ 32 inches)</i>	1
7	39878	CONNECTOR,070120-6-6.....	2
8	105649	HOSE ASSY,O/R MAN-T, GS3232..... <i>(Components: 78855, 78855, and 78852 @ 60 inches)</i>	2
9	105651	HOSE ASSY,PUMP-O/R MAN, GS3232..... <i>(Components: 39890, 39890, and 56776 @ 24 inches)</i>	1
10	8342	TEE,UNION,070401-4.....	4
11	105646	HOSE ASSY,LT REAR O/R, GS3232..... <i>(Components: 78855, 78855, and 78852 @ 16 inches)</i>	2
12	105647	HOSE ASSY,RT REAR O/R, GS3232..... <i>(Components: 78855, 78855, and 78852 @ 24 inches)</i>	2

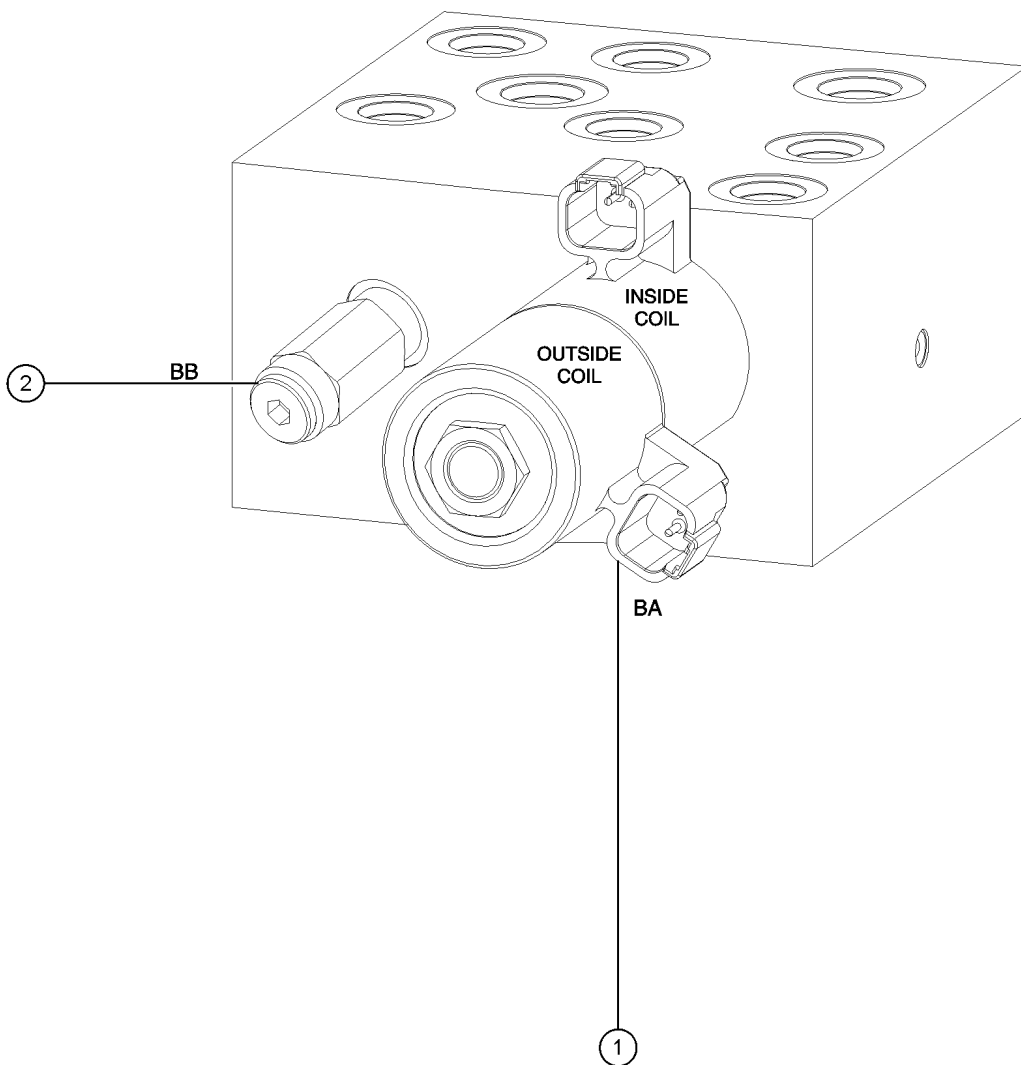
508.1 Outrigger Cylinders, Front and Rear, GS-3232



508.1 Outrigger Cylinders, Front and Rear, GS-3232

Item	Part No.	Description	Qty.
--	109877	CYLINDER,REAR OUTRIGGER <i>order valves, orifice and fittings separately</i>	
--	109878	CYLINDER,FRONT OUTRIGGER <i>order valves, orifice and fittings separately</i>	
--	144655	SEAL KIT,O/R CYLINDER*** <i>for 109877 and 109878</i>	
1	105628	VALVE,CHECK,PILOT OPERATED.....1 <i>(3500 psi, 240 bar)</i>	1
--	105695	SEAL KIT FOR 105628	
2	39875	ELBOW,070220-4-6.....1	1
3	67744	ORIFICE,SHORT, 0.037 INCH.....1 <i>(0.037 inch; 0.94 mm)</i>	1
4	13921	ELBOW,070220-4-4.....1	1
5	105629	VALVE,SOLENOID 2 POS, 2 WAY.....1	1
--	44228	SEAL KIT, VALVE	
6	109750	PLATE,FOOTPAD RING.....2	2
7	109756	FOOTPAD,OUTRIGGER,3232.....1	1
8	105575	FOOTPAD,NON MARKING.....1	1
9	40945	SCREW,FHS,1/4-20 X 2.25	
10	229750	HARNES,PRESS,TRANSDUCER***.1	1
11	105652	FITTING,ELBOW 4-4, SAE.....1	1

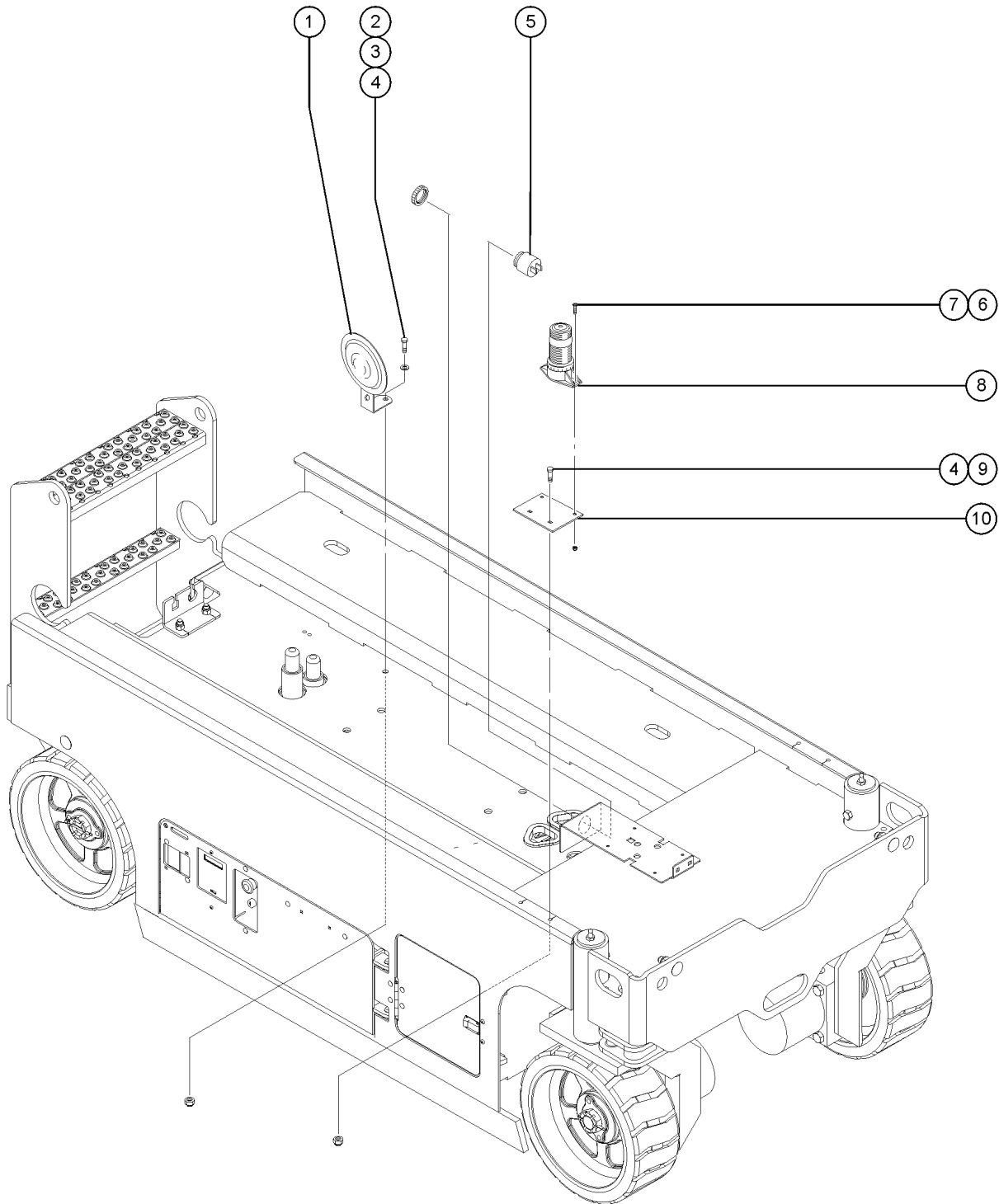
509.1 Outrigger Function Manifold, GS-3232



509.1 Outrigger Function Manifold, GS-3232

Item	Part No.	Description	Qty.
--	109757	MANIFOLD,OUTRIGGER OPTION	
--	49612	O-RING KIT (ORFS FITTINGS)	
--	49613	PLUG AND CAP KIT-SERVICE,ORFS*	
1	52376	VALVE,RELIEF,3500PSI*** (BB, Outrigger circuit)	
--	44227	SEAL KIT, VALVE	
2	52380	VALVE,SOLENOID,3POS4WAY,GS68 (BA, Outrigger extend/retract)	
--	44174	NUT-COIL SHORT	
--	44175	SPACER-DUAL COIL,#10, SCISSORS	
--	44230	SEAL KIT-P.N.44169,44172,44171	
--	84385	COIL,20VDC DEUTCSH W/DIODE	

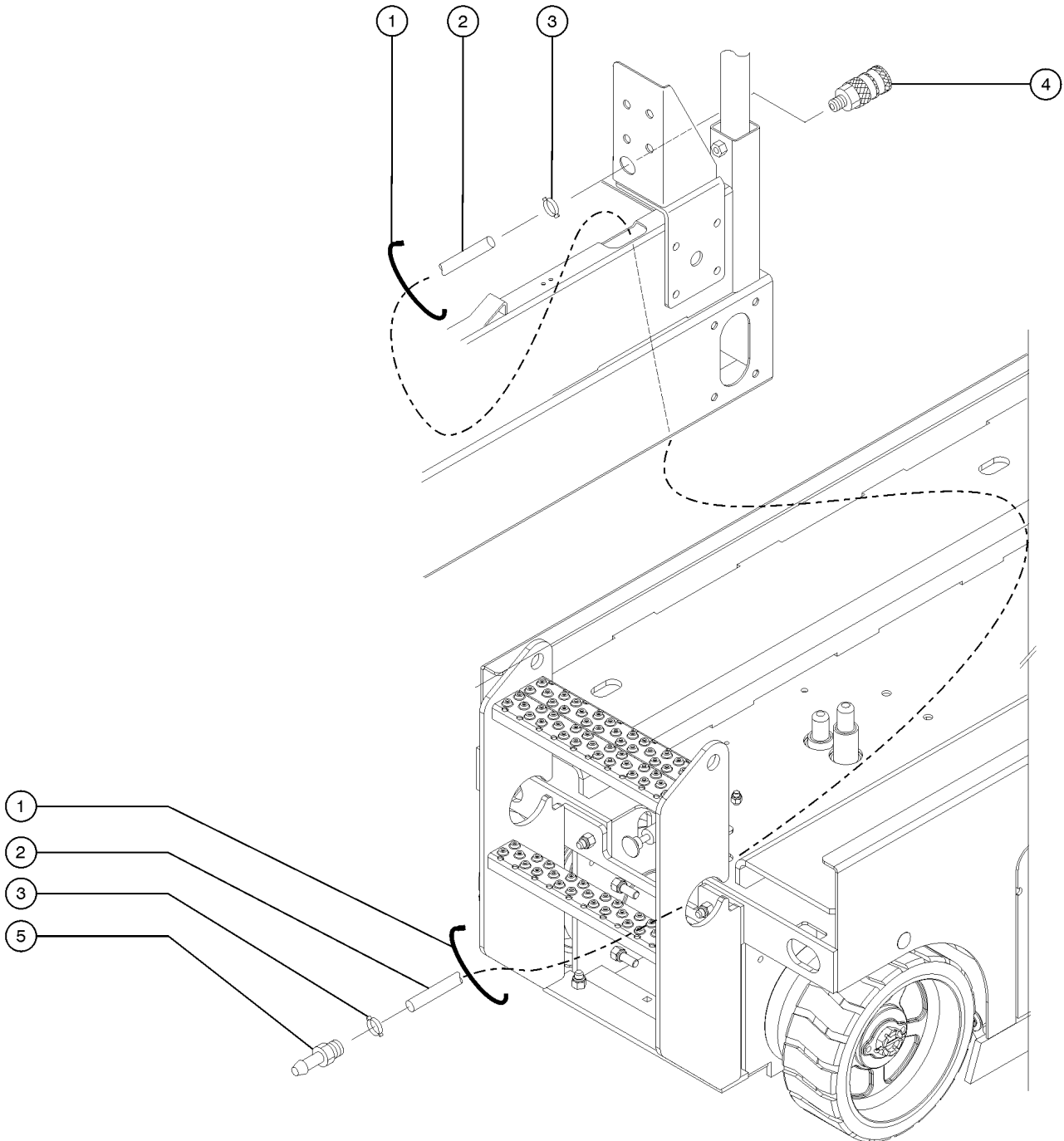
601.1 Alarm, Horn and Flashing Beacons



601.1 Alarm, Horn and Flashing Beacons

Item	Part No.	Description	Qty.
--	105797	KIT,BEACON,GS32/46	
1	81579	HORN,24VDC,SPADE TERMINALS***	1
1A	96484	ASSY,DIODE for GS-3232	
2	8914	SCREW,HHC,1/4-20 X .625	
3	6638	WASHER,FLAT,USS,1/4"Y	
4	6091	NUT,NYLOCK,1/4-20	
5	39540	ALARM,STEADY TONE***	1
		<i>Does not include 72326 nut</i>	
--	72326	NUT - PLASTIC,RING FOR ALARMS	
6	49816	SCREW,PHILLIPS,PHM,10-32 X .75	
7	6178	NUT,NYLOCK,10-32	
8	231931	STROBE,BEACON, AC COMP 12-80V	2
--	105556	LENS,FLASHING BEACON for 105107	
--	105557	BULB,FLASHING BEACON for 105107	
9	6878	BOLT,CARRIAGE,1/4-20 X .75,G2	
10	96363	PLATE,BEACON MOUNT.....	2

602.1 Air Line to Platform

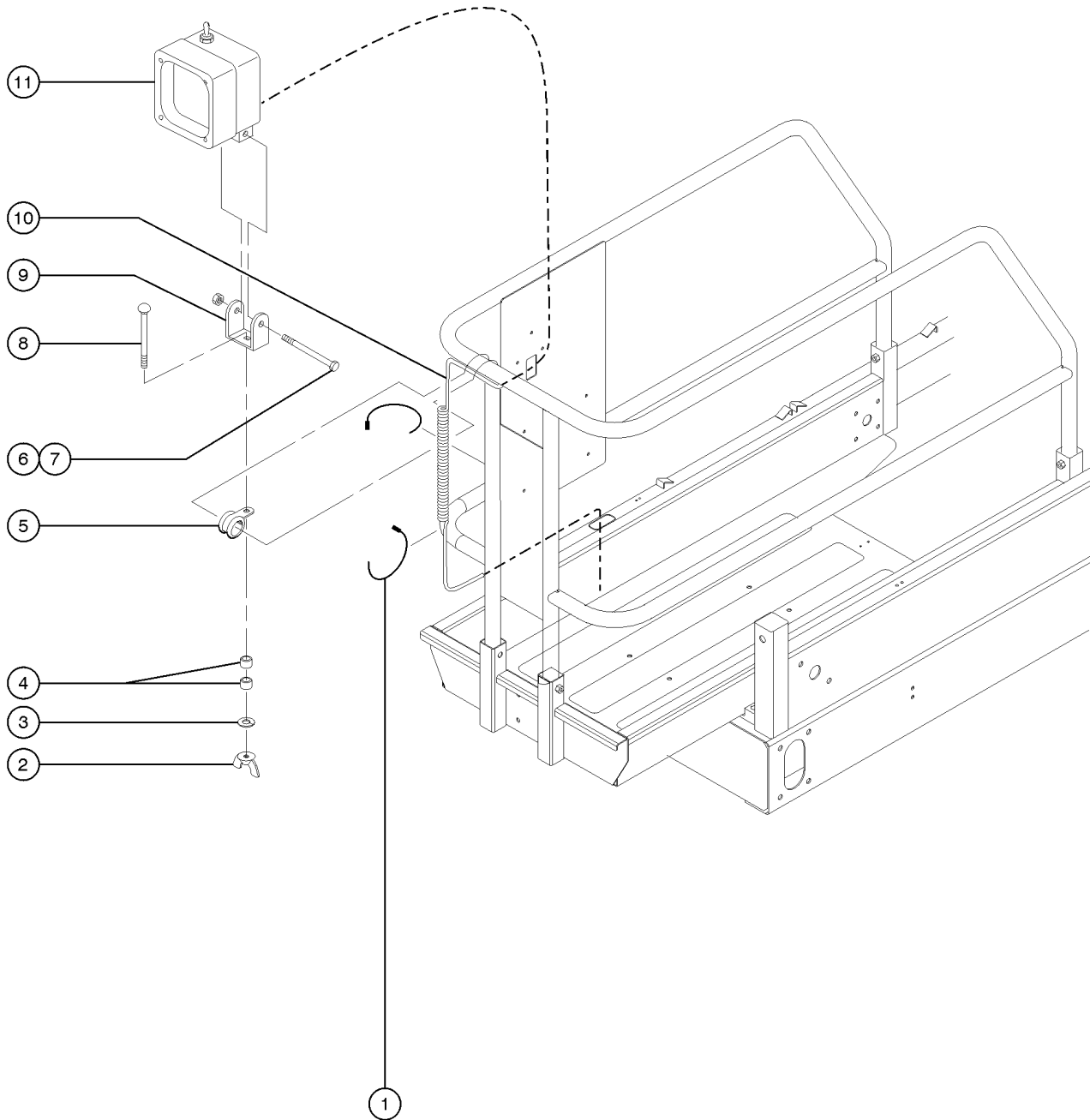


602.1 Air Line to Platform

Item	Part No.	Description	Qty.
--	96731-S	AIR TO PLAT, GS20XX, ACC GS-2032, GS-2046	
--	96990-S	AIR TO PLAT, GS26XX, ACC GS-2632, GS-2646	
--	96991-S	AIR TO PLAT, GS3246, ACC GS-3232, GS-3246	
1	28443	CABLE TIE,11.5" BLACK	
--	27903	HOSE,LOW PRESSURE,.375 ID,BLK.....390-inches GS-2032, GS-2046	
--	27903	HOSE,LOW PRESSURE,.375 ID,BLK.....490-inches GS-2632, GS-2646	
--	27903	HOSE,LOW PRESSURE,.375 ID,BLK.....590-inches GS-3232, GS-3246	
3	45454	CLAMP,RUB CUSH,0.75,#12 X 3/8*1	
4	96543	COUPLER,1/4"SERIES,3/8 P-LOK.....1	
5	96542	PLUG,1/4"SERIES,3/8 P-LOCK***...1	



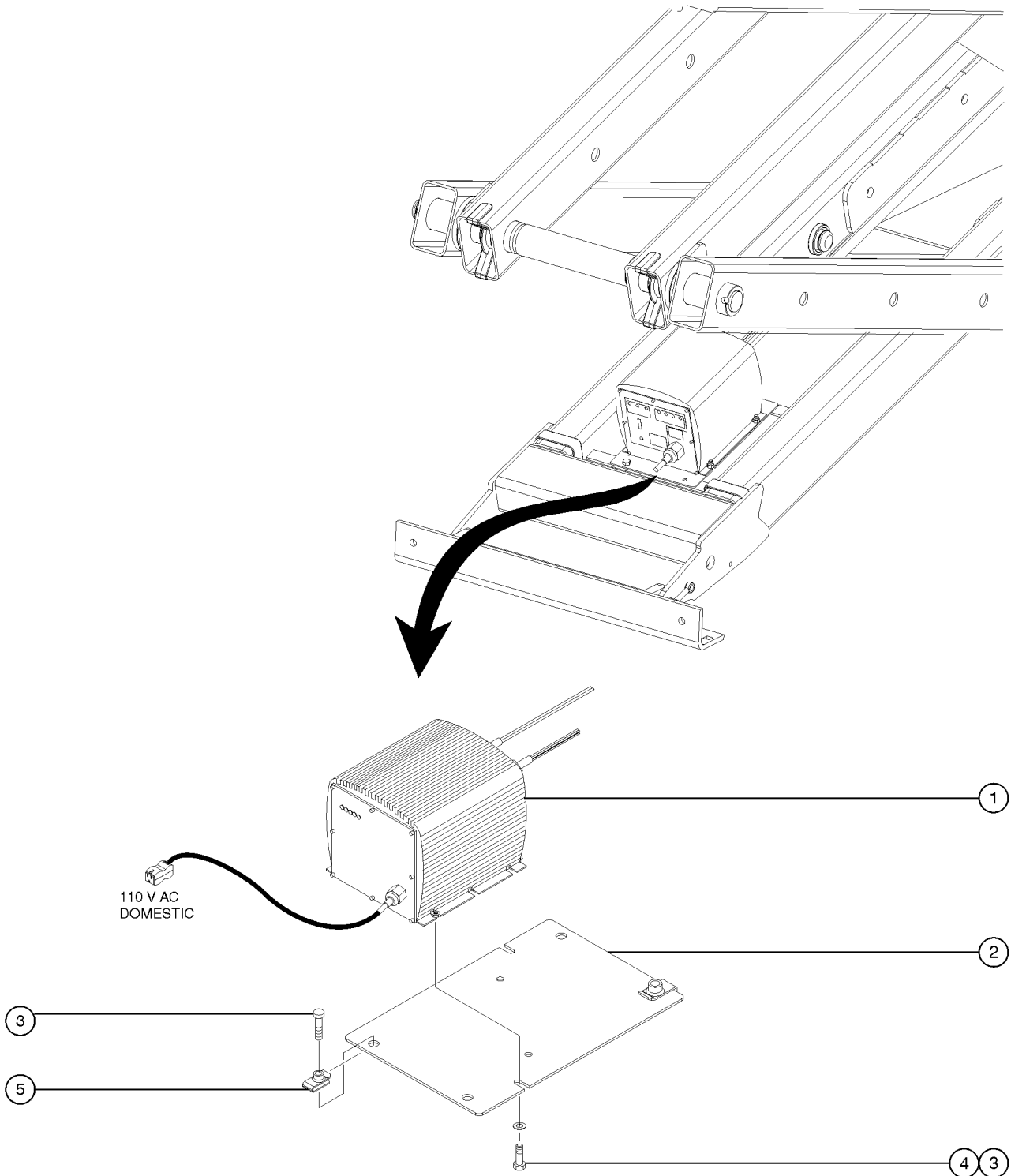
603.1 Platform Work Light



603.1 Platform Work Light

Item	Part No.	Description	Qty.
--	105973	WORKLIGHT CABLE,GS19/20XX (linkset) GS-2032, GS-2046	
--	105971	WORKLIGHT PIGTAIL ASSY (chassis)	
--	105974	WORKLIGHT CABLE,GS26XX (linkset) GS-2632, GS-2646	
--	105971	WORKLIGHT PIGTAIL ASSY (chassis)	
--	105975	WORKLIGHT CABLE,GS32XX (linkset) GS-3232, GS-3246	
--	105971	WORKLIGHT PIGTAIL ASSY (chassis)	
1	28443	CABLE TIE,11.5" BLACK.....	10
2	69229	NUT,WING 5/16-18.....	1
3	6886	WASHER,LOCK,.313	
4	65435	SPACER, .35ID X .785OD X .435.....	2
5	33784	CLAMP,1.31,#21 X 1/4,RUB CUSH.....	1
6	50793	SCREW,HHC,5/16-18 X 2	
7	6782	NUT,NYLOCK,5/16-18	
8	65439	BOLT,CARRIAGE,5/16-18 X 2.0,G2	
9	144009	WORKLIGHT BRACKET.....	1
10	65721	COIL CORD,WORKLIGHT(144011).....	1
11	144011	WORKLIGHT,24V,COIL CORD.....	1

604.1 Voltage Inverter

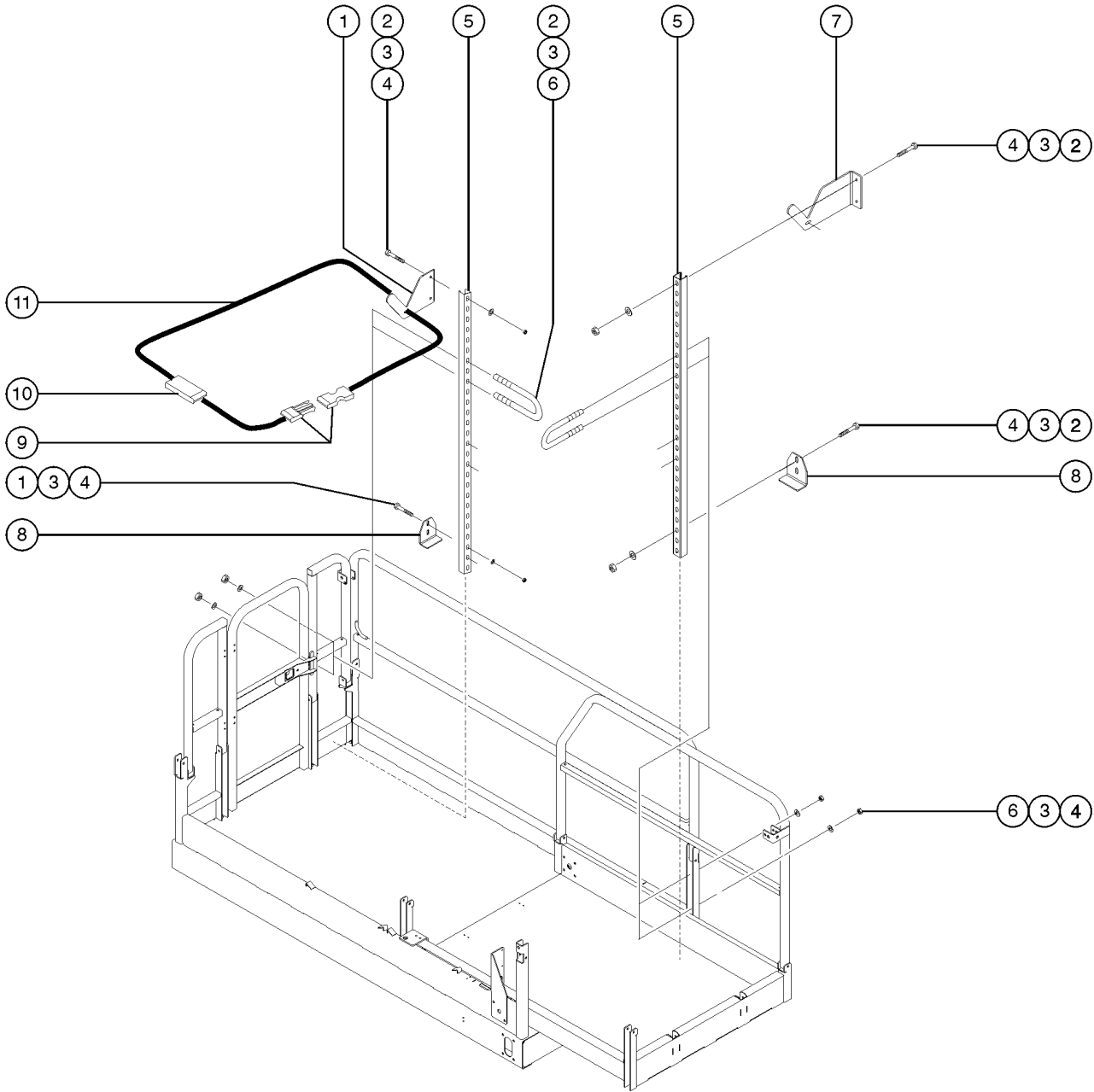


604.1 Voltage Inverter

Item	Part No.	Description	Qty.
1	96950	INVERTER,24VDC,110/230 VAC***	1
2	105129	PLATE, INVERTER MOUNT.....	1
3	6090	SCREW,HHC,1/4-20 X .75	
4	6638	WASHER,FLAT,USS,1/4"Y	
5	56912	SPRING CLIP,1/4-20,.025-.15X.5.....	2



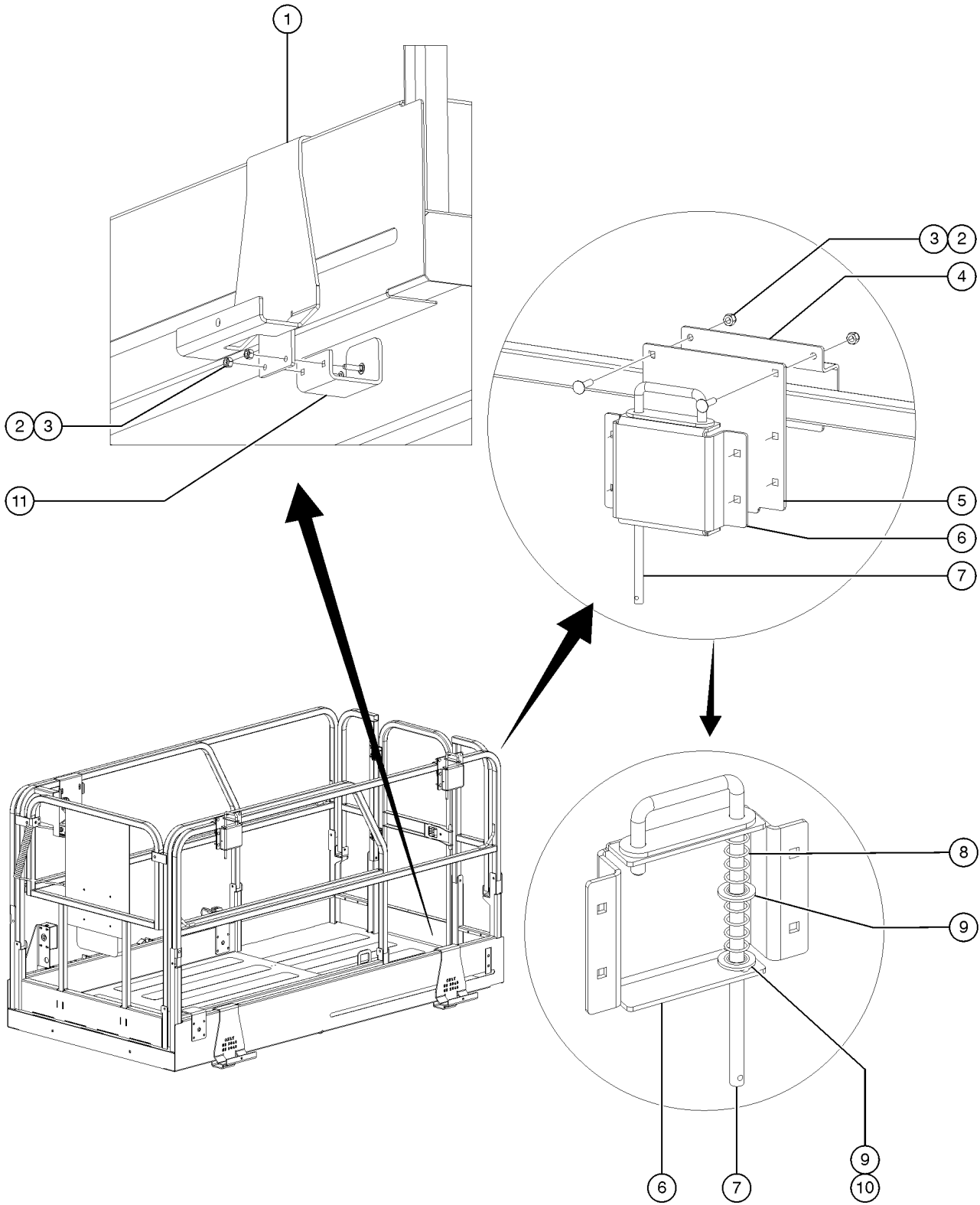
605.1 Pipe Cradle Assembly, GS-2046, GS-2646, GS-3246



605.1 Pipe Cradle Assembly, GS-2046, GS-2646, GS-3246

Item	Part No.	Description	Qty.
--	72878	PIPE CRDL,SQ RAILINGS,GS46	
1	79156	PLATE,PIPE HOLDER, GS68.....1	1
2	14033	SCREW,HHC,3/8-16 X 2.75	
3	6097	WASHER,FLAT,USS,3/8",Y	
4	4828	NUT,NYLOCK,3/8-16	
5	66171	CHANNEL,PIPE RACK.....2	2
6	66472	U-BOLT, SQR, 3/8-16X2X5, PLTD.....4	4
7	66169	FORMING, PIPE HOLDER RACK....1	1
8	66170	FORMING, PIPE RACK BASE.....2	2
9	100810	BUCKLE & SLIDE STRAP SET.....1	1
10	35643	BUCKLE,SIDE RELEASE.....2	2
11	35642	STRAP,NYLON,1.0 IN. BLACK.....96-inches	96-inches

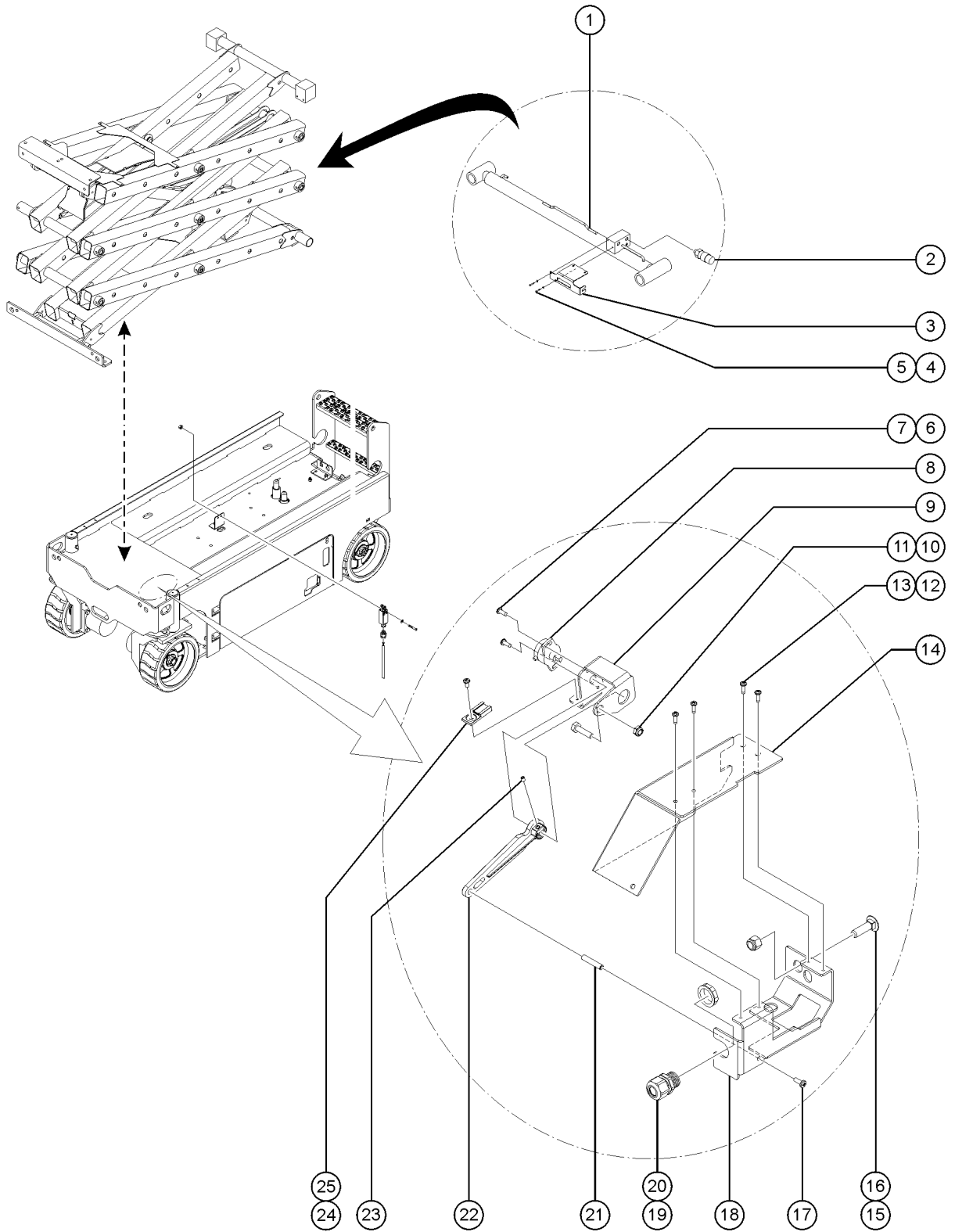
606.1 Panel Carrier Assembly, GS-2046, GS-2646



606.1 Panel Carrier Assembly, GS-2046, GS-2646

Item	Part No.	Description	Qty.
1	1251805	FORMING, PANEL HOOK.....	2
2	6091	NUT,NYLOCK,1/4-20	
3	124576	BOLT,CARRIAGE,1/4-20X1.00 G5	
4	1251809	FORMING, RAIL CLAMP.....	2
5	1251808	PLATE, COVER.....	2
6	1251807	FORMING, HOUSING, CLAMP.....	2
7	1251812	WELDMENT, CLAMP.....	2
8	1251813	SPRING, .660 X 2.00, 14.8 #/IN.....	4
9	6097	WASHER,FLAT,USS,3/8",Y	
10	12016	PIN,COTTER,.125 X .75.....	2
11	1251806	FORMING, RETAINER.....	2

701.1 Platform Overload



701.1 Platform Overload

Item	Part No.	Description	Qty.	Item	Part No.	Description	Qty.
1		Ref: Lift Cylinder.....1 <i>(refer to 505.1)</i>	1	18A	T113141	FRMG,CHASSIS BRKT.....1 <i>(to SN GS3214A-136070 and SN GS4614A-135498)</i>	1
2A	229750	HARNES,PRESS,TRANSDUCER***.1 <i>GS-2032, GS-2046, GS-2632, GS-2646, GS-3246 (includes transducer)</i>	1	18B	161975	FRMG,CHASSIS BRKTING.....1 <i>(from SN GS3214A-136071 and SN GS4614A-135499)</i>	1
2B	237472	PRESSURE TRANSDUCER,1K-3K PSI.....1 <i>GS-3232 (Australia & CE)</i>	1	19	33576	CONN,SQZ,BLK,1/2NPT,.38-.50,SM.1	1
3	41557-S	CABLE BRACKET,PAINTED.....1	1	20	T115429	NUT,CORDGRIP,1/2 NPT.....1	1
4	7339	SCREW,HHC,1/4-20 X .5.....1	1	21	T113142	OFFSET, RDN, 1/4-1.25,10-32.....1	1
5	6356	WASHER,LOCK,.25.....1	1	22	T114082	LEVER ARM,ANGLE SENSR ACTUATOR.....1	1
6A	57075	SCREW,PHIL,8-32X.50,SELF TAP.....7	7	23	229146	SCREW,SET,8-32X.25.....1	1
6B	55906	SCREW,PHILLIPS,PHM,8-32 X .5...2 <i>(used with 161981)</i>	2	24	T113139	CLIP,DTM,RECEPTACLE.....1	1
7	18605	NUT,NYLOCK,8-32.....2 <i>(used with 161981)</i>	2	25	39579	RIVET,STL,STL,.188 X .45.....1	1
8	T113136	ASSY,ROT SENSR W/ HARNES.....1	1				
9A	227169	FRMNG,ARM SENSOR BRCKT,32/46.....1 <i>(to SN GS3214A-136070 and SN GS4614A-135498)</i>	1				
9B	161981	FRMNG,ARM SENSOR BRCKT,32/46.....1 <i>(from SN GS3214A-136071 and SN GS4614A-135499)</i>	1				
10	7713	NUT,LP NYLOCK,3/8-16.....1	1				
11	6175	SCREW,HHC,3/8-16 X 1.....1	1				
12	8914	SCREW,HHC,1/4-20 X .625.....2 <i>(used with 161977)</i>	2				
13	56912	SPRING CLIP,1/4-20,.025-.15X.5....2 <i>(used with 161977)</i>	2				
14A	227170	FRMNG,SENSOR COVER,32/46.....1 <i>(to SN GS3214A-136070 and SN GS4614A-135498)</i>	1				
14B	161977	FRMG,SENSOR COVERING.....1 <i>(from SN GS3214A-136071 and SN GS4614A-135499)</i>	1				
15	96203	BOLT,CARRIAGE,1/2-13X1.75, G5.....1	1				
16	6198	NUT,NYLOCK,1/2-13.....1	1				
17	49819	SCREW,PHILLIPS,PHM,10-32 X .5.....1	1				



Part Number Index

The Part Number Index is a numeric index of all part numbers included in this manual. The index shows what page(s) the part is used on.

Part Number	Page	Part Number	Page	Part Number	Page	Part Number	Page
-	123-124, 127, 158	105557	185	114372	59, 61, 67, 69, 75, 77, 83, 85, 91, 93, 99, 101	1258384	157-158
100810	193	105564	173			1258515	157-158
104804	147-148, 151-152	105565	107	114385	11, 13, 19, 21, 27, 29, 35, 37, 43, 45, 51, 53	1258516	157-158
105004	147-148	105572	121			1258731	161
105021	143-144	105574	133	114386	15, 17, 23, 25, 31, 33, 39, 41, 47, 49, 55, 57	128118	111
105023	148	105575	181			13000	115
105024	148	105577	175-176			130011	176
105025	147-148	105578	175-176	114428	31, 33	13066	109
105026	148	105579	175-176	115114	143-144	133276	13, 21, 29, 37, 45, 53
105029	139, 141, 143-144	105628	181	12013	148, 152	133531	27, 29, 75, 77
105030	139	105629	181	12016	113, 195	133596	15, 17, 23, 25, 39, 41, 47, 49, 55, 57
105031	141	105634	135	122994	121	13585	155
105046	175-176	105644	135	124576	195	13635-10	107
105051	107	105645	179	1251805	195	137522	158
105057	147-148	105646	179	1251806	195	137562	121
105060	113	105647	179	1251807	195	137564	121
105067	169	105648	179	1251808	195	137585	157-158
105069	113	105649	179	1251809	195	137587	157-158, 161
105074	139, 141, 143-144	105650	179	1251812	195	137603	158
105078	137	105651	179	1251813	195	137604	121
105080	109	105652	181	1255060	171	137605	15, 17, 23, 25, 31, 33, 39, 41, 47, 49, 55, 57, 71, 73, 87, 89, 95, 97, 103, 105, 158, 161
105090	155	105664	111, 127	1256656	161		
105091	148	105688	131	1256658	161	137633	157-158
105092	109, 131, 137, 139, 141, 143-144	105695	181	1256702	15, 17, 23, 25, 39, 41, 47, 49, 55, 57, 63, 65, 71, 73, 87, 89, 95, 97, 103, 105, 161	137634	163
105093	148	105708	127			137636	15, 17, 23, 25, 39, 41, 47, 49, 55, 57, 63, 65, 71, 73, 87, 89, 95, 97, 103, 105, 158
105099	147-148	105732	121	1256703	15, 17, 23, 25, 39, 41, 47, 49, 55, 57, 63, 65, 71, 73, 87, 89, 95, 97, 103, 105, 158		
105100	109	105734	121			137637	121, 158, 161
105117	155	105736	111	1256705	31, 33, 79, 81, 158, 161	137640	158, 161
105118	155	105739	117			137642	158
105129	191	105758	131	1256719	121	137644	121
105140	109	105759	121	1256720	121	137647	121
105146	148	105797	185	1256721	121	137656	15, 17, 23, 25, 31, 33, 39, 41, 47, 49, 55, 57, 63, 65, 71, 73, 87, 89, 95, 97, 103, 105, 158
105150	115	105801	175-176	1256722	121		
105156	113	105802	175-176	1256725	161	14033	141, 193
105186	139, 141, 144	105803	175-176	1256726	161	144009	189
105187	143-144	105804	175-176	1256727	161	144011	189
105188	144	105971	189	1256728	161	144130	117
105189	139, 141, 143-144	105974	189	1256808	121	144161	155
105190	139, 141, 144	10775	155	1256812	161	144180	117
105191	139, 141, 144	10777	155	1257054	129	144213	124, 127
105192	144	109735	131	1257055	129	144215	124
105193	139, 141, 143-144	109737	131	1257056	129	144226	111
105210	135	109745	131	1257057	129	144374	107
105211	135	109749	131	1257058	129	144655	181
105214	123-124	109756	181	1257059	129	150104	167
105246	176	109757	183	1257185	15, 23, 31	150105	167
105308	119	109877	181	1257187	17, 25, 33	15086	107
105334	117	109878	181	1257188	39, 47, 55	161975	197
105388	131	109893	113	1257190	41, 49, 57	161977	197
105448	155	109894	113	1257204	119		
105454	107	109912	143-144	1257205	119		
105463	167	114324	31, 33, 79, 81	1257824	123-124, 127		
105467	115	114334	61, 69, 77, 85, 93, 101	1257923	15, 17, 23, 25, 31, 33, 39, 41, 47, 49, 55, 57, 63, 65, 71, 73, 79, 81, 87, 89, 95, 97, 103, 105		
105478	173						
105479	173	114337	59, 67, 75, 83, 91, 99				
105481	173						
105483-S	155	114338	63, 65, 71, 73, 79, 81, 87, 89, 95, 97, 103, 105				
105544	173						
105545	173	114359	31, 33				
105546	173	114360	11, 19, 27, 35, 43, 51				
105547	165						
105549	173	114361	11, 19, 27, 35, 43, 51, 59, 67, 75, 83, 91, 99	1258334	157-158		
105550	165			1258337	157-158		
105553	165	114362	27, 29, 75, 77	1258338	157-158		
105554	165	114370	59, 67, 75, 83, 91, 99	1258339	157-158		
105555	165			1258361	157-158		
105556	185	114371	79, 81	1258365	157-158		
				1258366	157-158		

Part Number Index (continued)

Part Number	Page	Part Number	Page	Part Number	Page	Part Number	Page
161981	197	228929	17, 25, 33	33, 37, 39, 41,	4266	147-148, 151-	
16487	111	228931	39, 47, 55	45, 47, 49, 53,		152	
18383	139, 141, 143-	228932	41, 49, 57	55, 57, 61, 63,	43137	121	
	144	228936	65	65, 69, 71, 73,	43392	151-152	
18503	115	228937	73, 81	77, 79, 81, 85,	43618	15, 17, 23, 25,	
18504	107, 133, 139,	228938	89	87, 89, 93, 95,		31, 33, 39, 41,	
	141, 143-144	228939	97	97, 101, 103, 105		47, 49, 55, 57,	
18605	111, 155, 197	228940	105	28236	15, 17, 23, 25,	63, 65, 71, 73,	
18722	107	229086	163		31, 33, 39, 41,	79, 81, 87, 89,	
19491	111, 113	229087	163		47, 49, 55, 57	95, 97, 103, 105	
20224	167	229088	163	28443	147-148, 173,	43619	13, 21, 29, 37,
21253	107	229089	163		187, 189		45, 53
21279	147-148, 151-	229090	163	30217	141	43658	11, 13, 19, 21,
	152	229091	163	30784-2550	115		27, 29, 35, 37,
214544	163	229092	163	31060	11, 19, 27, 35,		43, 45, 51, 53,
217251	11	229093	163		43, 51		61, 69, 77, 85,
217252	11	229094	163	31508	11, 13, 19, 21,		93, 101
217253	19	229097	163		27, 29, 35, 37,	43685	171
217254	19	229146	197		43, 45, 51, 53	43956	155
217255	27	229670	127	31788	11, 19, 27, 35,	44168	167
217256	27	229672	127		43, 51	44169	167
217257	35	229750	123-124, 127,	32339	133	44171	167
217258	35		181, 197	33278	115	44174	167, 183
217259	43	229845	158, 161	33576	197	44175	167, 183
217260	43	230364	107	33724	155	44207	165
217261	51	231114	119	33784	189	44226	167
217262	51	231167	119	34742	113	44227	173, 183
217263	11	231921	124, 127	35461	111	44228	181
217264	11	231922	124, 127	35642	193	44229	167
217265	19	231931	185	35643	193	44230	167, 183
217266	19	232531	115	36369	137	44236	167
217267	27	232576	129	37947	121	44255	11, 13, 19, 21,
217268	27	232578	129	38149	11, 19, 27, 35,		27, 29, 35, 37,
217269	35	232582	129		43, 51		43, 45, 51, 53
217270	35	233049	127	39232	111	44716	171
217271	43	233050	124	39310	147-148, 151-	44736	15, 17, 23, 25,
217272	43	233051	124		152		31, 33, 39, 41,
217273	51	233052	124, 127	39469	111, 147-148,		47, 49, 55, 57
217274	51	233053	123-124		151-152	44737	11, 13, 19, 21,
217275	59	233054	123-124	39470	147-148, 151-		27, 29, 35, 37,
217276	59	233055	123-124, 127		152		43, 45, 51, 53
217277	67	233371	129	39474	147-148, 151-	44750	171
217278	67	233430	123-124, 129		152	44751	171
217279	75	233431	123-124, 127	39509	147-148	44752	171
217280	75	233477	31, 33	39510	147-148	44777	171
217281	83	233644	124, 127	39540	111, 158, 161,	44778	171
217282	83	233711	123-124, 127		185	44780	107, 109
217283	91	234168	123-124, 127	39542	113	44781	107, 109
217284	91	235463	163	39579	147-148, 151-	44788	165
217285	99	235464	158, 161		152, 197	44936	155
217286	99	236837	171	39835	139, 141, 143-	44973	173
217287	59	237086	167, 176		144	44979	173
217288	59	237455	173	39873	175-176	44980	11, 13, 19, 21,
217289	67	237472	197	39875	179, 181		27, 29, 35, 37,
217290	67	237565	139, 141, 143-	39876	175-176		43, 45, 51, 53,
217291	75		144	39877	169, 175-176,		61, 69, 77, 85,
217292	75	24514	148, 151-152		179		93, 101
217294	83	25388	155	39878	173, 175-176,	44981	13, 15, 17, 21,
217295	83	27903	187		179		23, 25, 29, 31,
217296	91	28131	129	39881	176		33, 37, 39, 41,
217297	91	28174	13, 15, 17, 21,	39882	175-176		45, 47, 49, 53,
217298	99		23, 25, 29, 31,	40434	15, 17, 23, 25,		55, 57, 61, 63,
217299	99		33, 37, 39, 41,		31, 33, 39, 41,		65, 69, 71, 73,
218236	119		45, 47, 49, 53,		47, 49, 55, 57,		77, 79, 81, 85,
218579	124, 127		55, 57, 61, 63,		63, 65, 71, 73,		87, 89, 93, 95,
219205	157-158, 171		65, 69, 71, 73,		79, 81, 87, 89,		97, 101, 103, 105
219480	117		77, 79, 81, 85,		95, 97, 103, 105	45226	139, 141, 143-
22446	147-148, 151-		87, 89, 93, 95,	40477	173		144
	152		97, 101, 103, 105	40833	115	45454	187
226163	119	28175	13, 21, 29, 37,	40844	171	45546	155
22664	175-176		45, 53	40945	181	45748	139, 141, 143-
227169	197	28176	15, 17, 23, 25,	41557-S	173, 197		144
227170	197		31, 33, 39, 41,	41630	147-148, 151-	46260	147-148, 151-
228406	111		47, 49, 55, 57		152		152
228786	123-124	28235	13, 15, 17, 21,	42079	109		
228928	15, 23, 31		23, 25, 29, 31,	42283	176		



Part Number Index (continued)

Part Number	Page	Part Number	Page	Part Number	Page	Part Number	Page
46287	11, 13, 19, 21, 27, 29, 35, 37, 43, 45, 51, 53	6091	107, 111, 115, 119, 121, 135, 139, 141, 143-	6886	189	82487	61, 63, 65, 69, 71, 73, 77, 79, 81, 85, 87, 89, 93, 95, 97, 101, 103, 105
47098	147-148, 151- 152	6097	109, 113, 147- 148, 151-152, 193, 195	6888	131	82495	59, 67, 75, 83, 91, 99
47163	147-148, 151- 152	6145	143-144	6889	115, 135	82496	71, 79
47166	147-148, 151- 152	6175	197	6898	113	82497	65, 105
47188	147-148	6178	111, 185	69229	189	82506	27, 29
47222	147-148, 151- 152	6198	107, 109, 131, 137, 197	6935	155	82555	15, 17, 23, 25, 31, 33, 39, 41, 47, 49, 55, 57
47224	147-148	62055	15, 17, 63, 65	7056	155	82558	13, 21, 29, 37, 45, 53
47225	147-148, 151- 152	62056	39, 41, 87, 89	7127	155	82559	13, 21, 29, 37, 45, 53
47227	148, 151-152	62057	47, 49, 95, 97	71484	135	82560	61, 69, 77, 85, 93, 101
47231	147-148, 151- 152	62058	55, 57, 103, 105	72086	11, 13, 19, 21, 27, 29, 35, 37, 43, 45, 51, 53, 59, 61, 67, 69, 75, 77, 83, 85, 91, 93, 99, 101	82557	15, 17, 23, 25, 31, 33, 39, 41, 47, 49, 55, 57
47232	107, 111	6272	121	72143	13, 21, 29, 37, 45, 53, 61, 69, 77, 85, 93, 101	82558	13, 21, 29, 37, 45, 53
47238	111	6326	139, 141, 143- 144	72326	111, 185	82560	61, 69, 77, 85, 93, 101
47374	147-148, 151- 152	6356	119, 131, 139, 141, 143-144, 147-148, 151- 152, 173, 197	72853	13, 21, 29, 37, 45, 53	82561	11, 13, 19, 21, 27, 29, 35, 37, 43, 45, 51, 53
47946	107	64154	113	72878	193	82562	59, 61, 67, 69, 75, 77, 83, 85, 91, 93, 99, 101
4828	109, 113, 131, 137, 139, 141, 143-144, 147- 148, 151-152, 193	65435	189	72970	11, 19, 27, 35, 43, 51	82563	23, 25, 31, 33
48282	155	65439	189	72999	13, 21, 29, 37, 45, 53	82656	71, 79
48880	167	6545	107	7339	173, 197	82657	11, 19, 27, 35, 43, 51
48997	167	6564	113	74006	155	82693	15, 17
49612	167, 183	65721	189	74267	115, 123-124, 127	82694	15
49613	167, 183	6595	155	75631	175-176	82695	23, 31
49812	171	65962	167	76502	115	82699	63
49816	185	65990-S	147-148, 151- 152	7713	147-148, 151- 152, 197	82701	63
49818	115	66030	147-148, 152	77709	167	82703	35, 37, 83, 85
49819	197	66055	139, 141, 143- 144	78006	171	82704	43, 45, 91, 93
50793	189	66169	193	78022	147-148, 152	82705	51, 53, 99, 101
51152	175-176	66170	193	78038	147-148, 151- 152	82710	39, 41
51474	137	66171	193	78086	113	82726	47, 49
5224	147-148, 151- 152	66204	119	78422	133, 135, 165	82727	55, 57
52376	183	6626	155	78546	119	82728	39
52380	183	66353	155	78622	165	82729	47
52475	11, 13, 19, 21, 27, 29, 35, 37, 43, 45, 51, 53, 59, 61, 67, 69, 75, 77, 83, 85, 91, 93, 99, 101	66355	155	78736	107, 139, 141, 143-144	82730	55
5397	113, 148	66356	155	79156	193	82731	87
54380	111	6637	111	80149	135	82732	95
55010	117	6638	115, 119, 131, 143-144, 147- 148, 151-152, 185, 191	81579	185	82733	103
55355	113	66389	175-176	8178	148	82734	87
55558	173	66397	129	82052	151-152	82735	95
55560	173	66465	173	82053	151-152	82736	103
55675	115, 119	66472	193	82160	13, 21, 29, 37, 45, 53	82905	89, 97
55906	155, 197	66485	147-148	82161	13, 21, 29, 37, 45, 53	83093	121
55917	107	66512	151-152	82307	25, 33	8342	179
55921	171	66544	147-148, 151- 152	823408	119	8357	107, 109
56912	111, 121, 131, 191, 197	66551	147-148	82366	13, 21, 29, 37, 45, 53	84384	167
56926	123-124	6666	155	82473	61, 69, 77, 85, 93, 101	84385	167, 183
57075	155, 197	66717	115	82474	59, 61, 67, 69, 75, 77, 83, 85, 91, 93, 99, 101	84386	167
58000	139, 141	66770	107	82475	75, 77	84422	173
58001	143-144	66812	121, 158, 161	82476	59, 61, 67, 69, 75, 77, 83, 85, 91, 93, 99, 101	84574	113
58592	107, 139, 141, 143-144	66817	121, 158, 161	82481	59, 67, 75, 83, 91, 99	84587	147-148, 151- 152
58627	121	66919	151-152	82482	61, 69, 77, 85, 93, 101	84680	148
6002	147-148, 151- 152	66920	151-152			84681	148
6021	171	66923	151-152			84683	148
60790	109, 113, 143- 144	6700	113, 121			84684	148
6090	119, 148, 152, 191	6714	111			84685	147-148
		67744	181			84686	148
		6782	189			84687	148
		6878	111, 115, 119, 121, 135, 139, 143-144, 155, 185			84690	147-148
						84696	139
						84698	141
						84699	107
						84739	169
						84740	169
						84742	169
						84743	169

Part Number	Page	Part Number	Page	Part Number	Page
84746	169	96643	113	97409	167
84747	137	96661	139, 143-144	97582	73, 81
84748	169	96662	139, 141, 143-	97662	57
8516	139, 141, 143-		144	97663	41, 49
	144	96663	143-144	97692	11, 13, 59, 61
85197	171	96699	119	97693	19, 21, 67, 69
85239	121	96700	143-144	97694	17
8914	185, 197	96709	119	97719	61, 69, 77, 85,
8915	119, 139, 141,	96718	151-152		93, 101
	143-144	96719	152	T106362	121
9116	107, 119, 139,	96731-S	187	T106363	121
	141, 143-144	96735	139, 141, 143-	T106366	121
96008-S	121		144	T106367	158
96009	121	96744	175-176	T106368	158
96010	121	96749	175-176	T106370	158, 161
96085	113	96750	175-176	T106371	121
96110	129	96760	151-152	T106372	121
96116	133	96761	152	T106373	158, 161
96130	141	96762	152	T107029	11, 19, 27, 35,
96135	113	96770	173		43, 51
96163	147-148	96794	152	T107031	13, 21, 29, 37,
96193	171	96812	141, 143-144		45, 53
96200	148, 151-152	96819	129	T108326	119
96203	109, 131, 137,	96831	107	T108327	121
	197	96836	139, 141, 143-	T108662	171
96236	155		144	T109012	119
96246	148, 151-152	96839	113	T110889	123-124
96257	165	96849	148	T110890	124, 127
96304	129	96855	119	T110891	123-124
96306	129	96862	139, 141, 143-	T112507	111
96309	123-124, 127		144	T112563	155
96348	175-176	96870	111	T112804	13, 21, 29, 37,
96354	119, 176	96876	109		45, 53, 61, 69,
96355	119, 176	96880	175-176		77, 85, 93, 101
96363	185	96881	175-176	T113136	123-124, 127,
96387	129	96882	175-176		197
96390	141	96883	175-176	T113139	197
96391	175-176	96885	176	T113141	197
96398	175-176	96886	109	T113142	197
96408	113	96887	109	T113296	119
96413	147-148, 151-	96895	109	T113787	148, 152
	152	96899	139, 141, 143-	T114031	123-124, 127
96417	165		144	T114082	197
96419	165	96900	139, 141, 143-	T114321	165
96422	113		144	T114397	158, 161
96423	107, 113	96903	107, 143-144	T115429	197
96440	129	96905	107, 139, 141		
96452	121	96907	107		
96484	185	96932	139, 141, 143-		
96522	129		144		
96524	113	96948	111, 113		
96541	113	96950	191		
96542	187	96971	143-144		
96543	187	96977	137		
96570	109	96978	143-144		
96572	107	96990-S	187		
96573	107	96991-S	187		
96574	107	97044	147-148		
96578	137	97059	117		
96595	137	97110	147-148		
96601	139, 141, 143-	97128	111, 113		
	144	97130	173		
96603	139, 141, 143-	97233	139		
	144	97234	139, 141, 143-		
96605	139, 141, 143-		144		
	144	97241	137		
96606	139	97242	151-152		
96608	144	97243	141		
96609	143-144	97244	141		
96611	139, 143-144	97245	143-144		
96615	141	97246	143-144		
96616	141	97258	151-152		
96637	113	97263	152		
96638	113	97264	152		
96639	113	97267	107		
96642	113	97305	147-148		

Part Description Index

The Part Description Index is an alphabetical index of all part descriptions included in this manual. The index shows what page(s) the part is used on.

(component no longer available).....161

1

126,DYN.BRAKING,MANIF,32/46.....167

A

ACCUMULATOR, 180 P S I
 PRECHARGE*.....133, 135, 165
 ADAPTER, RJ45, GC27-25/GC21-19.....121
 AIR TO PLAT, GS20XX, ACC.....187
 AIR TO PLAT, GS26XX, ACC.....187
 AIR TO PLAT, GS3246, ACC.....187
 ALARM,STEADY TONE***.....111, 158, 161,
 185
 ASSEMBLY, DOWN LIMIT, GS.....111
 ASSY, PLATFORM GATE, GSXX46.....151-152
 ASSY,22 FT LIMIT SWITCH,GS3232.....111,
 127
 ASSY,DIODE.....185
 ASSY,LVL SNSR W/ CONNECTOR.....111
 ASSY,MOTOR CONTRL HARN,CE.....129
 ASSY,MOTOR CONTROL HARNESS.....129
 ASSY,POT HOLE PUSHER,GS***.....113
 ASSY,POTHOLE HARNESS,GS.....123-124,
 127
 ASSY,ROT SNSR W/ HARNESS.....123-124,
 127, 197

B

BALL STUD, GAS STRUT, 3/8-16.....113
 BAND KIT,5.6" DIA MOTOR***.....171
 BAR,CABLE BRIDGE ARM,UPPER.....139,
 141, 143-144
 BASE WITH 1 NC CONTACT, E-STOP.....121,
 158, 161
 BATTERY,MAINTENANCE FREE,6V***.....115
 BATTERY,T105 W/LPT,3 CAP,DRY***.....115
 BEARING,0.75IDX1.00ODX0.75L.....137
 BEARING,0.75IDX1.00ODX1.38L.....113
 BEARING,1.00IDX1.25ODX0.49L.....107
 BEARING,1.00IDX1.25ODX0.75L.....137
 BEARING,1.5025IDX1.5075ODX1.5L.....173
 BEARING,1.50IDX1.77ODX1.25L.....139, 141,
 143-144
 BEARING,1.523IDX1.75ODX0.63L.....113
 BEARING,2.25IDX2.50ODX1.50L*.....107
 BEARING,MOTOR.....171
 BEARING,MOTOR,36843,BRUSH END*.....171
 BOLT,CARRIAGE,1/2-13X1.50,GR5.....137
 BOLT,CARRIAGE,1/2-13X1.75, G5...109, 131,
 137, 197
 BOLT,CARRIAGE,1/2X2.00,G5.....131
 BOLT,CARRIAGE,1/4-20 X .5,G2.....135
 BOLT,CARRIAGE,1/4-20 X .75,G2.....111, 115,
 119, 121, 135, 139, 143-144, 155, 185
 BOLT,CARRIAGE,1/4-20 X 1.25,G2.....107,
 119, 139, 141, 143-144
 BOLT,CARRIAGE,1/4-20 X 2.5,G2.....107, 139,
 141
 BOLT,CARRIAGE,1/4-20 X 3.50,G2.....107,
 143-144
 BOLT,CARRIAGE,1/4-20X1.00 G5.....195
 BOLT,CARRIAGE,3/8-16 X1.00,G5.....113

BOLT,CARRIAGE,3/8-16 X1.50,G5...109, 113,
 143-144
 BOLT,CARRIAGE,3/8-16X1.25,GR5.....109,
 131, 137, 139, 141, 143-144
 BOLT,CARRIAGE,5/16-18 X 2.0,G2.....189
 BOOT, 2 SWITCH, SILICON.....163
 BOOT,CABLE TERMINAL COVER.....129
 BOX,INSTRUCTION STORAGE.....148, 151-
 152
 BRACKET,FOOT PEDAL.....147-148, 151-152
 BRAKE,HYDRAULIC***.....165
 BREATHER CAP,HYD. TANK,1/4 NPT.....119
 BRUSH,PWR UNIT (40844)**.....171
 BUCKLE & SLIDE STRAP SET.....193
 BUCKLE,SIDE RELEASE.....193
 BULB,FLASHING BEACON.....185
 BUMPER,BATTERY BOX & RAILS.....151-152
 BUSHING,FLNGD,.63 X .77 X .38.....113
 BUSHING,STRAIN RELIEF,.875/.40.....111
 BUTTON,.800 O.D. X .281.....147-148, 151-
 152
 BUTTON,PUSH,RED MUSHROOM
 HEAD.....121, 158, 161

C

CABLE ASSY, BATT, 23"RD.....129
 CABLE ASSY,BATT, 12" RED.....129
 CABLE ASSY,BATT, 20" BLK.....129
 CABLE ASSY,BATT,5.50"RED.....129
 CABLE ASSY,BATT,9.50"RED.....129
 CABLE ASSY, BATT. 12" BLACK.....129
 CABLE ASSY, BATT. 14" RED.....129
 CABLE ASSY, BATT. 81" RED.....129
 CABLE ASSY, BATT. 85" BLACK.....129
 CABLE ASSY, BATT. 89" RED.....129
 CABLE ASSY, BATT. 93" BLACK.....129
 CABLE BRACKET,PAINTED.....173, 197
 CABLE TIE MOUNT, WINGED.....123-124
 CABLE TIE,11.5" BLACK...147-148, 173, 187,
 189
 CABLE, PLATFORM CONTROL, 20XX.....124
 CABLE, PLATFORM CONTROL, 26XX.....124
 CABLE, PLATFORM CONTROL, 32XX.....124,
 127
 CABLE,EMERGENCY DOWN.....111
 CABLE,LFT CYL DN,20/26XX,W/LS.....123-124
 CABLE,LFT CYL DN,20/26XX,WO/LS.....123-
 124
 CABLE,LIFT CYL DWN, 32XX,W/LS.....123-
 124, 127
 CABLE,LIFT CYL DWN, 32XX,WO/LS.....123-
 124, 127
 CAM FOLLOWER,1.125X.375,DELRI.....113
 CAP, TUBE, SQ,1.25 X .083.....147-148, 151-
 152
 CAP,BUTTON,K12.....158, 161
 CAP,DIAGNOSTIC NIPPLE.....167
 CE CONTROL HARNESS, SLAB.....129
 CHAIN GATE ASSY, COM GS32.....147-148
 CHAIN,3/16,OPEN LINK 22.5".....147-148
 CHANNEL,PIPE RACK.....193
 CHARGER INTERLOCK CABLE,GS46.....124
 C H A R G E R I N T E R L O C K
 CBLE,GS30/32.....124, 127
 CHARGER,BAT,24VDC,H/LO GEN2.....117
 CHASSIS MOUNT ASSY, GS32&46.....137

CHECK DISK, NO SPRING.....167
 CIRCUIT BREAKER,7.0 AMP***.....121
 CLAMP,1.31,#21 X 1/4,RUB CUSH.....189
 CLAMP,1.75,#28 X 3/8,RUB CUSH*.....133
 CLAMP,2 HOSE,PLASTIC,5/8...107, 139, 141,
 143-144
 CLAMP,HOSE,1 EAR, 11/16.....173
 CLAMP,HOSE,1 EAR,1-1/16***.....119
 CLAMP,RUB CUSH,0.75,#12 X 3/8*.....187
 CLIP,CABLEBRIDGE,GS32/46.....139, 141,
 143-144
 CLIP,DTM,RECEPTACLE.....197
 CLIP,HAIR PIN .125 X 2.....107
 CLIP,TIE HARNESS MOUNT***.....123-124
 COIL CORD,WORKLIGHT(144011).....189
 COIL,#8 20VDC,DEUTSCH W/DIOD.....167
 COIL,20VDC DEUTCSH W/DIODE.....167, 183
 COIL-SOLENOID VALVE,20V DC***.....173
 CONN,070120-6-8.....175-176
 CONN,SQUEEZE,1/2NPT .38-50,SM.....155
 CONN,SQZ,BLK,1/2NPT,.38-50,SM.....197
 CONN,SWIVEL,STR,THR,465OX-S.....176
 CONNECTOR, 070120-12-8.....175-176
 CONNECTOR, IEC CHARGER CORD.....117
 CONNECTOR,070120-4-4.....169, 175-176,
 179
 CONNECTOR,070120-4-6.....176
 CONNECTOR,070120-6-6.....173, 175-176,
 179
 CONTACTOR,DRIVE,24V,180A***.....115, 123-
 124, 127
 CONTACTOR,LIMIT SWITCH.....111, 113
 CONTROLLER,MOTOR.....119
 COUNTERWEIGHT, BELLY.....109
 COUNTERWEIGHT,GS32,REAR.....109
 COUPLER,1/4"SERIES,3/8 P-LOK.....187
 COVER, RJ45, GC27-25/GC21-19.....121
 COVER,BLANK.....155
 COVER,GFCI,HORIZONTAL,WEATHER.....155
 COVER-BRUSH INSPEC.40844,SCISS.....171
 CWT, REAR, XX46.....109
 CYLINDER, 20XX LIFT.....173
 CYLINDER, 26XX/32XX LIFT.....173
 CYLINDER, 32XX UPPER LIFT.....173
 CYLINDER,FRONT OUTRIGGER.....181
 CYLINDER,GS/GR STEER***.....165
 CYLINDER,REAR OUTRIGGER.....181

D

DANGER/INSTR-OUTRGR OP-GS3232....31,
 33
 DECAL KIT,2032 COMP,SYM,ANSI.....59
 DECAL KIT,2032 COMP,SYM,CE.....59
 DECAL KIT,2032 COMP,WRD,ANSI.....11
 DECAL KIT,2032 COMP,WRD,AUST.....11
 DECAL KIT,2032 PLAT.,SYM,ANSI.....59
 DECAL KIT,2032 PLAT.,WRD,ANSI.....11
 DECAL KIT,2032 PLAT.,WRD,AUST.....11
 DECAL KIT,2046 COMP,SYM,ANSI.....83
 DECAL KIT,2046 COMP,SYM,CE.....83
 DECAL KIT,2046 COMP,WRD,ANSI.....35
 DECAL KIT,2046 COMP,WRD,AUST.....35
 DECAL KIT,2046 PLAT.,SYM,ANSI.....83
 DECAL KIT,2046 PLAT.,SYM,CE.....83
 DECAL KIT,2046 PLAT.,WRD,ANSI.....35

DECAL KIT,2046 PLAT.,WRD,AUST.....35	DECAL,DANGER,BATTERY SAFETY***.....11, 19, 27, 35, 43, 51	DECAL,LABEL,LIFTING EYE.....11, 13, 19, 21, 27, 29, 35, 37, 43, 45, 51, 53, 59, 61, 67, 69, 75, 77, 83, 85, 91, 93, 99, 101
DECAL KIT,2632 COMP.,SYM,ANSI.....67	DECAL,DANGER,BRAKE REL SAFETY.....11, 19, 27, 35, 43, 51	DECAL,LABEL,MANUAL NOT HERE...15, 17, 23, 25, 31, 33, 39, 41, 47, 49, 55, 57
DECAL KIT,2632 COMP.,SYM,CE.....67	DECAL,DANGER,CRUSHING HAZARD.....11, 13, 19, 21, 27, 29, 35, 37, 43, 45, 51, 53	DECAL,LABEL,PATENTS.....11, 19, 27, 35, 43, 51
DECAL KIT,2632 COMP.,WRD,ANSI.....19	DECAL,DANGER,ELEC HAZARD,GS.....11, 13, 19, 21, 27, 29, 35, 37, 43, 45, 51, 53	DECAL,LABEL,PETRO CANADA***.....13, 21, 29, 37, 45, 53
DECAL KIT,2632 PLAT.,WRD,AUST.....19	D E C A L , D A N G E R , E L E C T HAZARD,PLUG.....11, 13, 19, 21, 27, 29, 35, 37, 43, 45, 51, 53	DECAL,LABEL,PLAT CONT LOCATION.....15, 17, 23, 25, 31, 33, 39, 41, 47, 49, 55, 57
DECAL KIT,2646 COMP.,SYM,ANSI.....91	DECAL,DANGER,IMPROPER USE HAZ.....13, 21, 29, 37, 45, 53	DECAL,LABEL,PWR TO CHARGR 115V....11, 13, 19, 21, 27, 29, 35, 37, 43, 45, 51, 53, 61, 69, 77, 85, 93, 101
DECAL KIT,2646 COMP.,SYM,CE.....91	DECAL,DANGER,TIP-OVER,TILT.....15, 17, 23, 25, 31, 33, 39, 41, 47, 49, 55, 57	DECAL,LABEL,PWR TO CHARGR 230V....11, 13, 19, 21, 27, 29, 35, 37, 43, 45, 51, 53, 61, 69, 77, 85, 93, 101
DECAL KIT,2646 COMP.,WRD,ANSI.....43	DECAL,DANGER,TIP-OVER,TRAYS.....11, 13, 19, 21, 27, 29, 35, 37, 43, 45, 51, 53	DECAL,LABEL,QUINTOLUBRIK.....13, 21, 29, 37, 45, 53
DECAL KIT,2646 PLAT.,SYM,ANSI.....91	DECAL,DANGER-GEN SAFETY.....15, 17, 23, 25, 31, 33, 39, 41, 47, 49, 55, 57	DECAL,LABEL,SAFETY ARM...13, 21, 29, 37, 45, 53
DECAL KIT,2646 PLAT.,WRD,AUST.....43	DECAL,DANGER-TIP-OVER,BATT.....11, 19, 27, 35, 43, 51	DECAL,LABEL,STATOIL HYDRA WAY.....13, 21, 29, 37, 45, 53
DECAL KIT,2646COMP.,WRD,AUST.....43	DECAL,DANGER-USE SAFETY ARM.....11, 13, 19, 21, 27, 29, 35, 37, 43, 45, 51, 53	DECAL,LABEL,TRANSPORT TIEDOWN*...11, 13, 19, 21, 27, 29, 35, 37, 43, 45, 51, 53, 59, 61, 67, 69, 75, 77, 83, 85, 91, 93, 99, 101
DECAL KIT,3232 COMP.,SYM,ANSI.....75	DECAL,E-STOP,GR/GRC/GS PCON.....15, 17, 23, 25, 31, 33, 39, 41, 47, 49, 55, 57, 63, 65, 71, 73, 79, 81, 87, 89, 95, 97, 103, 105, 158, 161	DECAL,LABEL,UCON HYDROLUBE....13, 21, 29, 37, 45, 53
DECAL KIT,3232 COMP.,SYM,CE.....75	DECAL,EMERGENCY LOWERING.....13, 21, 29, 37, 45, 53	DECAL,LABEL,WHEEL LOAD 2032.....11, 13, 59, 61
DECAL KIT,3232 COMP.,WRD,ANSI.....27	DECAL,EMERGENCY STOP,GR....13, 21, 29, 37, 45, 53, 61, 69, 77, 85, 93, 101	DECAL,LABEL,WHEEL LOAD 2046.....35, 37, 83, 85
DECAL KIT,3232 PLAT.,SYM,ANSI.....75	DECAL,GCON PANEL,GS.....13, 21, 29, 37, 45, 53, 61, 69, 77, 85, 93, 101	DECAL,LABEL,WHEEL LOAD 2632.....19, 21, 67, 69
DECAL KIT,3232 PLAT.,WRD,ANSI.....27	DECAL,INST MAX CAP 363 KG,SYM.....65	DECAL,LABEL,WHEEL LOAD 2646.....43, 45, 91, 93
DECAL KIT,3232 PLAT.,WRD,AUST.....27	DECAL,INSTR,INDOOR,AUS-26/3232.....25, 33	DECAL,LABEL,WHEEL LOAD 3246.....51, 53, 99, 101
DECAL KIT,3246 COMP.,SYM,ANSI.....99	DECAL,INSTR-MANUALFRC,AUS 2032.....17	DECAL,LABEL-DIRECTION ARROWS.....15, 17, 23, 25, 31, 33, 39, 41, 47, 49, 55, 57, 63, 65, 71, 73, 79, 81, 87, 89, 95, 97, 103, 105
DECAL KIT,3246 COMP.,SYM,CE.....99	DECAL,INSTR-MANUALFRC,AUS 3246.....57	DECAL,LABEL-TIRE SPECS.....11, 13, 19, 21, 27, 29, 35, 37, 43, 45, 51, 53
DECAL KIT,3246 COMP.,WRD,ANSI.....51	DECAL,INSTR-MANUALFRC,AUS 400N....41, 49	DECAL,LABEL-TRANSPORT DIGRAM.....11, 19, 27, 35, 43, 51, 59, 67, 75, 83, 91, 99
DECAL KIT,3246 COMP.,WRD,AUST.....51	DECAL,INSTR-MAX CAP 1200LBS.....39, 41	DECAL,LABEL-WHEEL LOAD,GS-3232.....27, 29, 75, 77
DECAL KIT,3246 PLAT.,SYM,ANSI.....99	DECAL,INSTR-MAX CAP 500 LBS.....23, 25, 31, 33	DECAL,LANYARD ANCHORAGE POINT...15, 17, 23, 25, 31, 33, 39, 41, 47, 49, 55, 57, 63, 65, 71, 73, 79, 81, 87, 89, 95, 97, 103, 105
DECAL KIT,3246 PLAT.,WRD,ANSI.....51	DECAL,INSTR-MAX CAP 700LBS.....55, 57	DECAL,LABEL-WHEEL LOAD,GS-3232.....27, 29, 75, 77
DECAL KIT,3246 PLAT.,WRD,AUST.....51	DECAL,INSTR-MAX CAP 800 LBS.....15, 17	DECAL,LABEL-WHEEL LOAD,GS-3232.....27, 29, 75, 77
DECAL, LABEL, SAFETY ARM SYMB.....61, 69, 77, 85, 93, 101	DECAL,INSTR-SIDE FRC,ANSI.....23, 31	DECAL,LABEL-WHEEL LOAD,GS-3232.....27, 29, 75, 77
DECAL, LABEL,AUX LOWERING...61, 69, 77, 85, 93, 101	DECAL,INSTR-SIDE FRC,ANSI 2032.....15	DECAL,LABEL-WHEEL LOAD,GS-3232.....27, 29, 75, 77
DECAL, O/R, PROP LIFT, UI, SVC.....31, 33, 79, 81, 158, 161	DECAL,INSTR-SIDE FRC,ANSI 2046.....39	DECAL,LABEL-WHEEL LOAD,GS-3232.....27, 29, 75, 77
DECAL, SMARTLINK PROPORTIONAL.....15, 17, 23, 25, 31, 33, 39, 41, 47, 49, 55, 57, 63, 65, 71, 73, 79, 81, 87, 89, 95, 97, 103, 105	DECAL,INSTR-SIDE FRC,ANSI 3246.....55	DECAL,LABEL-WHEEL LOAD,GS-3232.....27, 29, 75, 77
DECAL, STD, PROP LIFT, UI, SVC.....15, 17, 23, 25, 39, 41, 47, 49, 55, 57, 63, 65, 71, 73, 87, 89, 95, 97, 103, 105, 158	D E C A L , I N S T R U C T , B A T T E R Y CONNECT.....11, 19, 27, 35, 43, 51	DECAL,LABEL-WHEEL LOAD,GS-3232.....27, 29, 75, 77
DECAL, UI, GS/GR, PROP LIFT.....15, 17, 23, 25, 39, 41, 47, 49, 55, 57, 63, 65, 71, 73, 87, 89, 95, 97, 103, 105, 161	DECAL,INSTRUCT,MAXCAP1000LBS.....47, 49	DECAL,LABEL-WHEEL LOAD,GS-3232.....27, 29, 75, 77
DECAL, UI, GS3232, PCON.....31, 33, 79, 81, 158	DECAL,INSTRUCT,TRAVEL HEIGHT.....31, 33	DECAL,LABEL-WHEEL LOAD,GS-3232.....27, 29, 75, 77
DECAL,CHEVRON RANDO HD.....13, 21, 29, 37, 45, 53	DECAL,INSTRUCT-ANNUAL INSP REQ.....13, 21, 29, 37, 45, 53	DECAL,LABEL-WHEEL LOAD,GS-3232.....27, 29, 75, 77
DECAL,COMPARTMENT ACCESS.....13, 21, 29, 37, 45, 53	DECAL,INSTRUCTIONS,OPER,GS32.....15, 23, 31	DECAL,LABEL-WHEEL LOAD,GS-3232.....27, 29, 75, 77
DECAL,COSMETIC,GENIE GS-2032...15, 17, 63, 65	DECAL,INSTRUCTIONS,OPER,GS46.....39, 47, 55	DECAL,LABEL-WHEEL LOAD,GS-3232.....27, 29, 75, 77
DECAL,COSMETIC,GENIE GS-2046**.....39, 41, 87, 89	DECAL,INSTRUCTIONS-CHARGER OP....11, 19, 27, 35, 43, 51	DECAL,LABEL-WHEEL LOAD,GS-3232.....27, 29, 75, 77
DECAL,COSMETIC,GENIE GS-2632**.....23, 25, 71, 73	DECAL,LABEL,AIRLINE 110 PSI...13, 15, 17, 21, 23, 25, 29, 31, 33, 37, 39, 41, 45, 47, 49, 53, 55, 57, 61, 63, 65, 69, 71, 73, 77, 79, 81, 85, 87, 89, 93, 95, 97, 101, 103, 105	DECAL,LABEL-WHEEL LOAD,GS-3232.....27, 29, 75, 77
DECAL,COSMETIC,GENIE GS-2646...47, 49, 95, 97	DECAL,LABEL,FAULT CODES.....15, 17, 23, 25, 31, 33, 39, 41, 47, 49, 55, 57	DECAL,LABEL-WHEEL LOAD,GS-3232.....27, 29, 75, 77
DECAL,COSMETIC,GENIE GS-3246...55, 57, 103, 105		DECAL,LABEL-WHEEL LOAD,GS-3232.....27, 29, 75, 77
DECAL,COSMETIC-GENIE GS-3232...31, 33, 79, 81		DECAL,LABEL-WHEEL LOAD,GS-3232.....27, 29, 75, 77
DECAL,DANGER DO NOT ALTER SWTC.....11, 19, 27, 35, 43, 51		DECAL,LABEL-WHEEL LOAD,GS-3232.....27, 29, 75, 77

Part Description Index (continued)

- DECAL,POWER TO PLATFORM 230V.....13,
15, 17, 21, 23, 25, 29, 31, 33, 37, 39, 41, 45,
47, 49, 53, 55, 57, 61, 63, 65, 69, 71, 73, 77,
79, 81, 85, 87, 89, 93, 95, 97, 101, 103, 105
DECAL,PROPEL,GR/GRC/GS,PCON.....15,
17, 23, 25, 31, 33, 39, 41, 47, 49, 55, 57, 63,
65, 71, 73, 79, 81, 87, 89, 95, 97, 103, 105,
158, 161
DECAL,SKIN INJECTION...13, 21, 29, 37, 45,
53
DECAL,SYM,MAX CAP,CE,GS2646.....97
DECAL,SYM,MAXCAP CE,GS2046.....89
DECAL,SYM-ELEC HAZARD,PLUG.....61, 69,
77, 85, 93, 101
DECAL,SYM-MAX CAP CE GS3246.....105
DECAL,SYM-MAXCAP 1000.....95
DECAL,SYM-MAXCAP 1200.....87
DECAL,SYM-MAXCAP 500.....71, 79
DECAL,SYM-MAXCAP 700.....103
DECAL,SYM-MAXCAP 800.....63
DECAL,SYM-MAXCAP CE GS2632.....73, 81
DECAL,SYM-SIDE FORCE 2046.....87
DECAL,SYM-SIDE FORCE 2646.....95
DECAL,SYM-SIDE FORCE 3246.....103
DECAL,SYM-SIDE FORCE 445N.....71, 79
DECAL,SYM-SIDE FORCE 534N.....63
DECAL,SYM-SIDEFORCE 200400.....65, 105
DECAL,SYM-SIDEFORCE 400N.....89, 97
DECAL,SYM-SIDEFORCE 400N ID.....73, 81
DECAL,SYM-TIP-OVER,OUTRGR.....79, 81
DECAL,SYM-TIP-OVER,TRAYS.....59, 61, 67,
69, 75, 77, 83, 85, 91, 93, 99, 101
DECAL,SYM-TIP-OVR,LIM SWITCH....59, 67,
75, 83, 91, 99
DECAL,SYM-TIP-OVR,TILT ALARM.....63, 65,
71, 73, 79, 81, 87, 89, 95, 97, 103, 105
DECAL,SYMBOL-BATTERY SAFETY.....59,
67, 75, 83, 91, 99
DECAL,SYMBOL-BRAKE REL SAFETY....59,
67, 75, 83, 91, 99
DECAL,SYMBOL-COMP ACCESS.....61, 69,
77, 85, 93, 101
DECAL,SYMBOL-CRUSHING HAZARD.....59,
61, 67, 69, 75, 77, 83, 85, 91, 93, 99, 101
DECAL,SYMBOL-ELEC HAZARD,GS.....59,
61, 67, 69, 75, 77, 83, 85, 91, 93, 99, 101
DECAL,SYMBOL-FOOT CRUSHING.....75, 77
DECAL,SYMBOL-READ THE MANUAL.....61,
63, 65, 69, 71, 73, 77, 79, 81, 85, 87, 89, 93,
95, 97, 101, 103, 105
DECAL,SYMBOL-SKIN INJECT HAZRD....61,
69, 77, 85, 93, 101
DECAL,SYMBOL-USE SAFETY ARM.....59,
61, 67, 69, 75, 77, 83, 85, 91, 93, 99, 101
DECAL,WARN,IMPROPER OPERATION...15,
17, 23, 25, 31, 33, 39, 41, 47, 49, 55, 57
DECAL,WARNING-FOOT CRUSHING.....27,
29
DECAL-SYM-TIP-OVR,BATTRIES.....59, 67,
75, 83, 91, 99
DIAGNOSTIC FEMALE Q-DSCNT.....167
DRIVE MOTOR,18.3 CU. IN/REV.....165
- E**
- ELBOW,070220-12-10.....175-176
ELBOW,070220-4-4.....175-176, 179, 181
ELBOW,070220-4-6.....179, 181
ELBOW,070220-6-6.....175-176
ELBOW,070220-6-8.....175-176
- ELBOW,070320-6-6.....176
ENCLOSURE, GC14-1, TOP.....158
ENCLOSURE, GC16-1, TOP.....158
ENCLOSURE, GC21-19, BK.....121
ENCLOSURE, GC27-25, BK.....121
ENCLOSURE, O/R 5-BUTTON, TOP.....161
ENCLOSURE, GC14-1/GC16-1, BOT.....158,
161
ENCLOSURE, GC27-25/GC21-19, FRNT.....121
ENCLOSURE, STD 4-BUTTON, TOP.....161
EXT FLDG RAIL ASSY, UPR, 32, S.....148
EXT FLDG RAIL ASSY, UPR, 32, WO**148
EXT. DECK ASSY, GS32.....148
EXT. DECK ASSY, GS32 CE.....148
EXT. DECK ASSY, GS46.....151-152
- F**
- FIELD ASSY, REC. CHARGER PLUG.....155
FILLER CAP (PLUG 1-1/2" NPT HEX.....119
FILTER ASSY, FIBRGLS, #8-#8.....165
FILTER ASSY, SAE 8, 10 MIC, PAPER**.....165
FILTER ELEMENT, 10 MICRON, PAPER*.....165
FILTER ELEMENT, BETA(10)=200.....165
FITTING, ELBOW 4-4, SAE.....181
FITTING, STRAIGHT DRIVE-IN ZERK.....107
FLASH DRIVE, SL1K1.0 SOFTWARE.....157-
158, 171
FLASH DRIVE, SL1K2.0 SOFTWARE.....161
FOAM, CLOSED CELL 1.75X.250X18".....147-
148
FOOTPAD, NON MARKING.....181
FOOTPAD, OUTRIGGER, 3232.....181
FOOTPEDAL W/NON-SKID TAPE, GS.....147-
148, 151-152
FORMING, ACCUMULATOR BRACKET.....135
FORMING, ACCUMULATOR CLAMP.....135
FORMING, CWT CLAMP.....109
FORMING, FILTER-CNTRLR MOUNT.....119
FORMING, HALF GATE, HINGE.....147-148
FORMING, HOUSING, CLAMP.....195
FORMING, PANEL HOOK.....195
FORMING, PIPE HOLDER RACK.....193
FORMING, PIPE RACK BASE.....193
FORMING, RAIL CLAMP.....195
FORMING, REC. PLUG BRKT.....111
FORMING, RETAINER.....195
FORMING, ALARM BRACKET.....111
FORMING, CB HOSE CLAMP.....143-144
FORMING, COMPONENT BRKT,
GS3232.....135
FORMING, CONTACTOR MOUNT, GS.....115
FORMING, CONTROL PANEL.....121
FORMING, CWT, COVER, GS32.....109
FORMING, HOSE CLAMP SPT, PTD, BLU.....107
FORMING, HOSE CLAMP SUPPORT.....107
FORMING, HOSE CLAMP, UPPER CYL.....143-
144
FORMING, MANIFOLD.....133
FORMING, MANIFOLD BRKT, GS3232.....135
FORMING, PADLOCK BRACKET.....171
FORMING, PH PUSHER, GS46.....139, 141,
143-144
FORMING, PLAT CONTROL BOX.....158, 161
FORMING, SG HEADER RAIL, GS2032.....148
FRMG, CHASSIS BRKT.....197
FRMG, CHASSIS BRKTING.....197
FRMG, SENSOR COVERING.....197
FRMING, LMT SWCH BRKT, 3232.....111
FRMNG, ARM SENSOR BRCKT, 32/46.....197
- FRMNG, SENSOR COVER, 32/46.....197
FUSE BLOCK, ANN & ANL FUSE.....115
FUSE, 275 AMP, VERY FAST ACTING.....115
FUSE, BATTERY CHARGER***.....117
- G**
- GAS SHOCK, SCISSORS***.....113
GASKET, UK & DIN PWR. TO PLAT.....155
GASKET, UK RECEPTACLE.....155
GASKET, (BOOT) FLANGE INLET PLG.....155
GCON, GR/GRC/GS.....121
GCON, GS3232.....121
GCON, O/R, PROP LIFT.....121
GCON, STD, PROP LIFT.....121
GROMMET, RUBBER 1.5 ID.....111
GROMMET, RUBBER 2 X 2.75.....107, 111
GROMMET, SLAB HYD TANK***.....119
GROUND STRAP, 8" LG.....113
GROUND WIRE ASSY, GS.....129
- H**
- HANDLE HALF, LEFT, W/TOP SWITCH.....163
HANDLE HALF, RIGHT, W/TOP SWITCH.....163
HANDLE, ANDERSON CONNECTOR SB...171
HARNESS, ESTOP, GR/GRC/GS
PCON.....157-158, 161
HARNESS, GS FUNC MANIFOLD.....123-124
HARNESS, GS POWER CONTRL.....124, 127
HARNESS, GS SENSORS, ANSI.....123-124
HARNESS, GS SENSORS, CE.....123-124
HARNESS, GS SENSORS, CE, 3232.....127
HARNESS, GS SENSRS, ANSI, 3232.....127
HARNESS, OUTRIGGER, GS3232.....127
HARNESS, ROTARY ANGLE.....123-124, 127
HARNESS, FUNCTION MANIFOLD, GS.....123-
124, 127
HARNESS, LEVEL SENSOR.....127
HARNESS, PRESS, TRANSDUCER***.....123-
124, 127, 181, 197
HINGE, SPRING, LONG LEG...147-148, 151-
152
HINGE, ACCESS DOOR(13G).....121
HORN, 24VDC, SPADE TERMINALS***.....185
HOSE ASSY, MAN/ACCUM, GS32/46.....176
HOSE ASSY, DRIVE MOTORS, GS32.....175-
176
HOSE ASSY, DRIVE MOTORS, GS46.....175-
176
HOSE ASSY, LOWER LIFT.....175-176
HOSE ASSY, LT FRONT/O/R, GS3232.....179
HOSE ASSY, LT REAR O/R, GS3232.....179
HOSE ASSY, MANIFOLD, GS3232.....179
HOSE ASSY, O/R MAN-T, GS3232.....179
HOSE ASSY, PUMP-O/R MAN, GS3232.....179
HOSE ASSY, RT FRONT O/R, GS3232.....179
HOSE ASSY, RT REAR O/R, GS3232.....179
HOSE CLAMP, SAE #6.....176
HOSE, ASSY.....175-176
HOSE, ASSY, BRAKE MAN, GS46.....175-176
HOSE, ASSY, LIFT.....175-176
HOSE, ASSY, MAN TO FILTER.....175-176
HOSE, ASSY, PRESSURE.....175-176
HOSE, AIR 3/8.....175-176
HOSE, ASSY STEER, GS32/46.....175-176
HOSE, ASSY, BRAKE MAN, GS46.....175-176
HOSE, ASSY, BRAKE MAN, GS32.....175-176
HOSE, ASSY, BRAKE, GS46.....175-176
HOSE, ASSY, UPPER LIFT.....175-176

HOSE,ASSY,VENT.....175-176
 HOSE,LOW PRESSURE,,375 ID,BLK.....187
 HOSE,LOWER VENT.....175-176
 HOSE,UPPER VENT.....175-176
 HOUSING,LOCK PIN.....147-148, 151-152
 HRNS ASSY,RESISTOR DIODE.....123-124, 127
 HRNS,CONTACTOR SIGNAL.....123-124, 127
 HRNS,CONTACTOR SIGNAL,GS46.....123-124, 129
 HYD. TANK KIT, GS30,32,46.....119
 HYDR TRAY ASSY W/WORDS.....119
 HYDR TRAY ASSY,GS30 W/SYMBOLS.....119

I

INNER ARM ASSEMBLY #1,GS32/46.....139, 141, 143-144
 INNER ARM ASSY #3, 2632/2646.....141
 INNER ARM ASSY #4, 2646.....141
 INNER ARM ASSY #4, 3246.....143-144
 INNER ARM ASSY #5, 3232.....143-144
 INNER ARM ASSY #5, 3246.....143-144
 INNER ARM ASSY, #2, GS32&46.....139, 141, 143-144
 INNER ARM ASSY, #3, 2046.....139
 INNER ARM ASSY,#3 GS2032.....139
 INNER ARM ASSY,#4 GS2632.....141
 INVERTER,24VDC,110/230 VAC***.....191

J

JOYSTICK, HALL EFFECT, SINGLE.....163

K

KEY SINGLE***.....121
 KEY,RECTANGULAR,,31X.28X1.25**.....107, 109
 KEYS,10 PACK***.....121
 KEYSWITCH,3 POS. W/KEYS***.....121
 KIT,5CC PUMP UPGRADE.....171
 KIT,SL PROP UPGRD, CE, 3232.....157-158
 KIT,SL PROP UPGRD, ANSI SYM, 3232.....157-158
 KIT,SL PROP UPGRD, ANSI SYM, GS.....157-158
 KIT,SL PROP UPGRD, ANSI, 3232.....157-158
 KIT,SL PROP UPGRD, ANSI, GS32.....157-158
 KIT,SL PROP UPGRD, ANSI, GS46.....157-158
 KIT,SL PROP UPGRD, AUS, 3232.....157-158
 KIT,SL PROP UPGRD, AUS, GS32.....157-158
 KIT,SL PROP UPGRD, AUS, GS46.....157-158
 KIT,SL PROP UPGRD, CE, GS.....157-158
 KIT,BATTERY CHARGER,24V.....117
 KIT,BEACON,GS32/46.....185
 KIT,BOOT,JOYSTICK,SL1000.....163
 KIT,COIL CORD,CONTRLR,SL1000.....158, 161
 KIT,CONN,PLUG W/SCKT AND LOCK.....124, 127
 KIT,CONN,RECEPT W/PIN AND LOCK.....124, 127
 KIT,GASKET,UK POWER TO PLAT.....155
 KIT,GATE LATCH.....147-148, 151-152
 KIT,MTR CNTL.REPLACEMENT,GS46%.....119
 K I T , M T R C N T R L R REPLACEMENTGS30%.....119
 KIT,ORIFICE,.059".....173

KIT,STEER CYL SEAL.....165
 KIT,STEER CYL SEAL,040271P,HDM.....165
 KIT,STEER CYL SEAL,040499P,HDM.....165
 KIT,STEER CYL SEAL,040505P,HDM.....165
 KIT,SWITCH,JYSTK,SL1000.....163
 KIT,TWO ORIFICE,.059".....173
 KNOB,HAND PUMP (RED)***.....169
 KNOB,PILOT OP VALVE (BLACK)***.....169

L

LABEL,GR/GRC/GS PCON.....158
 LABEL,GS3232 PCON.....158
 LABEL,SERIAL,GC21-19.....121
 LABEL,GCON O/R,SERIAL.....121
 LABEL,OUTRIGGER,LOAD,GS-3232...27, 29, 75, 77
 LABEL,PCON O/R,GS,SERIAL.....161
 LABEL,SERIAL,GC27-25.....121
 LANYARD,BLACK NYLON,TYPE 1***.....147-148, 152
 LATCH HANDLE.....147-148, 151-152
 LATCH,LRG PADDLE HANDLE GS90.....115, 119
 LATCH,COMPRESSION,SMALL.....121
 LEFT EX. RAIL,GS46.....152
 LENS,FLASHING BEACON.....185
 LEVEL,BUBBLE.....111
 LEVER ARM,ANGLE SENSAR ACTUATOR.....197
 LINK BUMPER,5".....139, 141, 143-144
 LINK BUMPER,SHORT TUBE.....139, 141, 143-144
 LINK,OPEN-END.....147-148
 LINKSET,19 FT.....133
 LOCK,CONNECTOR.....117
 LOCKNUT,ELEC,1/2".....155

M

MAIN FLDG RAIL ASSY,LWR,GS32.....148
 MAIN FLDG RAIL ASSY,UPR L,GS32.....148
 MAIN FLDG RAIL ASSY,UPR RT,32.....147-148
 MAIN RAIL RIGID,SQ GS32.....147-148
 MANIFOLD,BRAKE RELEASE.....169
 MANIFOLD,FUNCTION,2 SPEED.....167
 MANIFOLD,OUTRIGGER OPTION.....183
 MANUAL,OWNERS,CHARGER,105739.....117
 MOTOR CONTROLLER,DC,24V,300A.....119
 MOTOR,ELECTRIC,24VDC 4.5HP.....171

N

NICKEL PLATED JAM NUT.....121
 NIPPLE,DIAGNOSTIC,#4 PORT***.....167
 NOTICE,SIDE FRC ANSI2646.....47
 NUT.....121
 NUT - PLASTIC,RING FOR ALARMS.....111, 185
 NUT,CASTLE,1.125-18 UNEF.....107, 109
 NUT,COIL (39909).....173
 NUT,CORDGRIP,1/2 NPT.....197
 NUT,LOCKING-LG.FLANGE,1/4-20.....107, 133, 139, 141, 143-144
 NUT,LOCKING-LG.FLANGE,5/16-18.....115
 NUT,LP NYLOCK,1/4-20.....115, 135
 NUT,LP NYLOCK,3/8-16...147-148, 151-152, 197
 NUT,LP NYLOCK,5/16-18...147-148, 151-152

NUT,NYLOCK,1/2-13.....107, 109, 131, 137, 197
 NUT,NYLOCK,1/4-20.....107, 111, 115, 119, 121, 135, 139, 141, 143-144, 147-148, 151-152, 155, 185, 195
 NUT,NYLOCK,10-32.....111, 185
 NUT,NYLOCK,3/8-16.....109, 113, 131, 137, 139, 141, 143-144, 147-148, 151-152, 193
 NUT,NYLOCK,5/16-18.....189
 NUT,NYLOCK,8-32.....111, 155, 197
 NUT,RETAINER (96008).....121
 NUT,WING 5/16-18.....189
 NUT-COIL SHORT.....167, 183

O

O-RING KIT (ORFS FITTINGS).....167, 183
 OFFSET,RDN,1/4-1.25,10-32.....197
 ORIFICE,LONG,.037***.....173
 ORIFICE,LONG,.059".....173
 ORIFICE,SHORT,0.037 INCH.....181
 OUTLET,110V GFCI***.....155

P

PCBA,GC14-1.....158
 PCBA,GC16-1.....158
 PCBA,GC21-19.....121
 PCBA,GC27-25.....121
 PCBA,GCON O/R,PROP LIFT.....121
 PCBA,GCON STD,PROP LIFT.....121
 PCBA,PCON O/R,PROP LIFT.....161
 PCBA,PCON STD,PROP LIFT.....161
 PCON,GR/GRC/GS.....157-158
 PCON,GS3232.....157-158
 PCON,O/R,PROP LIFT,GS.....161
 PCON,STD,PROP LIFT,GR/GS.....161
 PIN,LINKSET MOUNT,1".....139, 141, 143-144
 PIN,LINKSET MOUNT,3/4".....139, 141, 143-144
 PIN,LOCK.....147-148, 151-152
 PIN,LONG,GS46.....139, 141, 143-144
 PIN,LOWER CYL,ROD END.....141, 143-144
 PIN,LOWER CYLINDER MOUNT.....139, 141, 143-144
 PIN,MINI,CENTER.....141
 PIN,POTHOLE LINK PIVOT.....113
 PIN,SADDLE CYLINDER MOUNT.....143-144
 PIN,SHORT,GS46.....139, 141, 143-144
 PIN,UPPER CYLINDER MOUNT.....139, 143-144
 PIN,WIRE LOCK 3/8 X 2 -1/2.....147-148, 152
 PIN,CLEVIS,.375 X 1.75 LG.....113
 PIN,CLEVIS,.625 X 1.88,ZINC PL.....113
 PIN,CLEVIS,.75 X 2.....107
 PIN,CLEVIS,0.75 X 3.25".....107
 PIN,COTTER,.125 X .75.....113, 195
 PIN,COTTER,.156 X 1.75.....107
 PIN,COTTER,.156 X 2.5.....109
 PIPE CRDL,SQ RAILINGS,GS46.....193
 PLATE,AC ADAPTER(AUS).....155
 PLATE,COVER.....195
 PLATE,INVERTER MOUNT.....191
 PLATE,PIN RETAINER.....143-144
 PLATE,POTHOLE LINK.....113
 PLATE,SHEAR,OUTRIGGER.....131
 PLATE,AC ADAPTER(ANSI/CSA).....155
 PLATE,AC ADAPTER,DIN/UK***.....155
 PLATE,BEACON MOUNT.....185

Part Description Index (continued)

- PLATE,CWGT,GS32 REAR.....109
 PLATE,FOOTPAD RING.....181
 PLATE,HARNESS MOUNT.....119
 P L A T E , H O S E
 ROUTG,BULKHEAD(PTD).....107, 139, 141,
 143-144
 PLATE,PIPE HOLDER, GS68.....193
 PLATE,REAR COVER.....131
 PLATE,SIDE DOOR STOP***.....121
 PLATE,SIDE DOOR***.....121
 PLATFORM MOUNT ASSY, GS32&46.....137
 PLUG AND CAP KIT-SERVICE,ORFS*.....167,
 183
 PLUG, 6POS ECO PWR.....158, 161
 PLUG,1/4"SERIES,3/8 P-LOCK***.....187
 PLUG,ELECTRICAL,220/50,NOVON.....155
 PLUG,ELECTRICAL,DOMESTIC.....155
 PLUG,FLG INLET,15A/125V,2PWGD.....155
 PLUG,FUSED,250V,13AMP,U.K.**.....155
 PLUG,HEX SOCKET,090109B-4.....175-176
 PLUG,PWR,UK,16AMP,3PIN,BLK.....155
 POTHLE BELL CRNK LINK ASSYGS30.....113
 POWER CORD, IEC 320 BLANK.....155
 POWER CORD, IEC 320, 115".....117
 PRESSURE TRANSDUCER,1K-3K PSI.....197
 PRTY,FLOW CNTRL VALVE,.75 GPM.....167
 PUMP,4CC GEAR,CCW***.....171
 PUMP,5.6CC GEAR,CCW.....171
 PUSH RETAINER, 1/2" SCREW.....131
- Q**
- QUICK DISCONNECT CASING,BATT**.....129
- R**
- RAIL- GS46 PLAT, MAINDECK.....151-152
 RAIL-GS46 PLAT, MAINDECK.....151-152
 RECEPTACLE, DIN, 220V 50A.....155
 REF. BATTERY CABLE.....123-124, 127
 REF. CHARGER.....123-124, 127
 REF. CIRCUIT BREAKER.....124, 127
 REF. DOWN LIMIT, GS.....123-124, 127
 REF. E-STOP BUTTON.....124, 127
 REF. ELECTRIC MOTOR.....123-124, 127
 REF. ELECTRIC MOTOR/PUMP.....119
 REF. Electrical Plugs and Cords.....111
 REF. FILTER ASSY.....119
 REF. FORMING,CONTROL PANEL.....119
 REF. FUSE.....123-124, 127
 REF. FUSE BLOCK.....129
 REF. GCON.....119, 123-124, 127
 REF. INVERTER.....123-124, 127
 REF. KEYSWITCH.....123-124, 127
 REF. LEVEL SENSOR.....123-124, 127
 REF. LIFT CYLINDER DOWN CABLE.....129
 REF. MOTOR CONTROLLER.....123-124, 127
 REF. OUTRIGGER MANIFOLD.....127
 REF. PCON.....124, 127
 REF. PLATFORM CONTROL CABLE.....129
 REF. PRESSURE TRANSDUCER
 HARNESS.....127
 REF. STROBE,BEACON.....123-124, 127
 REF. Wire Harness Assy.....111
 REF: BRAKE RELEASE MANIFOLD.....109
 REF: DECAL,STD,PROP LIFT,UI,SVC.....161
 REF: HYDRAULIC BRAKE.....109
 Ref: Lift Cylinder.....197
 Ref: Outrigger Cylinder, Front.....131
 Ref: Outrigger Cylinder, Rear.....131
- REF: Symbol Decal Kits.....69, 71, 73, 85, 87,
 89, 93, 95, 97
 REF: Symbol Decal Kits for ANSI.....63
 REF: Symbol Decal Kits for ANSI and CE...61,
 77, 79, 81, 103, 105
 REF: Symbol Decal Kits for CE.....65
 REF: WHEEL & TIRE ASSY.....109
 REF: Word Decal Kits.....21, 23, 25, 37, 39, 41,
 45, 47, 49, 53, 55, 57
 REF: Word Decal Kits for ANSI.....15
 REF: Word Decal Kits for ANSI and
 Australia.....13, 17, 29, 31, 33
 RESISTOR,200 OHM 10W,CERAMIC.....124,
 127
 RIGHT EXT RAIL, GS46.....152
 RIGID EYE SNAP.....147-148
 RIVET,ALUM,STL,,188 X .250.....148, 152
 RIVET,STL,ST.MAN,P,.125 X .25.....121
 RIVET,STL,STL,,188 X .45.....147-148, 151-
 152, 197
 ROCKER,2 SWITCH.....163
 ROD END,.250 X 2.75 LG.....139, 141, 143-144
 ROD END,.375 X 3.69.....139, 141, 143-144
 ROLLER ARM,LIMIT SWITCH***.....111, 113
 ROLLER BRACKET ASSY, GRND
 CNTR.....147-148, 151-152
 ROLLER,PLATFORM EXTENSION...147-148,
 151-152
 RUE RING,3/4 PIN.....107, 113
 RUE RING,5/8 PIN.....113
- S**
- SAFETY CHOCK,SCISSOR.....139, 141
 SAFETY CHOCK-SCISSOR.....143-144
 SCREW, SELF TAP.....163
 SCREW, YOKE LOCK ALL SLABS.....107
 SCREW,BHSCS,M5X10,SS.....158, 161
 SCREW,FHS,1/4-20 X 2.25.....181
 SCREW,GRUB,M5X8MM CUP(BLK).....163
 SCREW,GRUB,M5X8MM,HLF DOG,BZP...163
 SCREW,HHC,1/2-13 X 3.5.....107, 109
 SCREW,HHC,1/4-20 X .5.....173, 197
 SCREW,HHC,1/4-20 X .625.....185, 197
 SCREW,HHC,1/4-20 X .75.....119, 148, 152,
 191
 SCREW,HHC,1/4-20 X 1.....131
 SCREW,HHC,1/4-20 X 1 W/PATCH.....131
 SCREW,HHC,1/4-20 X 1.25.....119, 139, 141,
 143-144
 SCREW,HHC,1/4-20 X 1.5.....143-144
 SCREW,HHC,1/4-20 X 1.75.....111
 SCREW,HHC,1/4-20 X 2.....147-148, 151-152
 SCREW,HHC,1/4-20X3.25,GR8.....107
 SCREW,HHC,3/8-16 X .75.....107
 SCREW,HHC,3/8-16 X 1.....197
 SCREW,HHC,3/8-16 X 1.50,GR5.....139, 141,
 143-144
 SCREW,HHC,3/8-16 X 2.....147-148, 151-152
 SCREW,HHC,3/8-16 X 2.5.....148
 SCREW,HHC,3/8-16 X 2.75.....141, 193
 SCREW,HHC,3/8-16 X 3.....139, 141, 143-144
 SCREW,HHC,5/16-18 X 1.25.....115
 SCREW,HHC,5/16-18 X 2.....189
 SCREW,PHIL,8-32X.50,SELF TAP.....155, 197
 SCREW,PHILLIPS,PHM,10-32 X .38.....115
 SCREW,PHILLIPS,PHM,10-32 X .5.....197
 SCREW,PHILLIPS,PHM,10-32 X .75.....185
 SCREW,PHILLIPS,PHM,6-32 X .75.....155
 SCREW,PHILLIPS,PHM,8-32 X .5.....155, 197
- SCREW,PHILLIPS,PHM,8-32 X .875.....111
 SCREW,PHILLIPS,PHM,8-32 X.25**.....121
 SCREW,PHM,1/4-20 X .75.....121
 SCREW,PHM,4-20X.5, 48-2 TRI-L.....121, 158,
 161
 SCREW,PHM,6-19X.75, 48-2 TRI-L.....121
 SCREW,PHM,8-16X.75, 48-2 TRI-L.....158, 161
 SCREW,RHM,10-32 X 1.5.....111
 SCREW,RHM,6-32 X .5.....155
 SCREW,SET,8-32X.25.....197
 SCREW,SHC,3/8-24 X 1.25".....171
 SCREW,SHS,5/16-18 X .25.....148, 151-152
 SEAL KIT (105545).....173
 SEAL KIT (105546).....173
 SEAL KIT FOR 105628.....181
 SEAL KIT, VALVE.....167, 173, 181, 183
 SEAL KIT,39909,PLAT LWR VALVE*.....173
 SEAL KIT,BOSCH PUMP***.....171
 SEAL KIT,HAND PUMP***.....169
 SEAL KIT,LIFT PUMP,BARNES**.....171
 SEAL KIT,O/R CYLINDER***.....181
 SEAL KIT,PUMP,5.6CC GEAR.....171
 SEAL KIT,RC SERIES DR MOTOR***.....165
 SEAL KIT-FOR P.N.44167.....167
 SEAL KIT-P.N.44169,44172,44171.....167, 183
 SENSOR,LEVEL, ANALOG.....135
 SHIM,.375 X .063.....148, 152
 SLEEVE,TANK SUPPORT.....119
 SLIDER,UHMW.....137
 SNAP RING,EXTERNAL,1.25 DIA.**.....141
 SNAP RING,EXTERNAL,1.5 DIA***.139, 141,
 143-144
 SPACER, .35ID X .785OD X .435.....189
 SPACER,.75ID X 1.5OD X 1/4THK.....113
 SPACER-DUAL COIL,#10, SCISSORS.....167,
 183
 SPACER-DUAL COIL,#8***.....167
 SPRING CLIP,1/4-20,.025-.15X.5.....111, 121,
 131, 191, 197
 SPRING, .660 X 2.00, 14.8 #/IN.....195
 SPRING, HANDLE TRIGGER.....163
 SPRING,COMPRESSION .835 X 2...147-148,
 151-152
 SPRING,COMPRESSION.485 X1.75**.....111,
 147-148, 151-152
 SPRING,HAND PUMP ROD.....169
 SPRING-BRUSH,40844, SCISSORS.....171
 STD CONTROL HARNESS, SLAB.....129
 STRAP,NYLON,1.0 IN. BLACK.....193
 STROBE,BEACON, AC COMP 12-80V.....185
 SVC KIT,UK RECEPT.REPLACEMENT.....155
 SWING GATE ASSY, GS46 WELD.....151-152
 SWING GATE ASSY,GS30/32**.....147-148
 SWING GATE ASSY,GS32,COMPLETE...147-
 148
 SWITCH,LIMIT,W/ROLLER ARM***.....111, 113
- T**
- T-BOX,2.75 X 4.5 X 2.0.....155
 TANK,HYD, SLAB SCISSORS.....119
 TAPE, NON-SKID,DIE CUT,1.38X1.5.....147-
 148, 151-152
 TAPE, NON-SKID,DIE CUT,4"X 16".....147-148,
 151-152
 TAPE, NON-SKID,DIE CUT,4"X 32".....147-148,
 151-152
 TAPE, NON-SKID,DIE CUT,4"X 40".....147-148,
 151-152
 TEE,RUN 070432-6*****.....175-176

TEE,UNION,070401-4.....179
 TERMINAL, SPLINE (AMP).....163
 THREADED ROD,(1/4-20),25.50.....115
 TIE ROD ASSEMBLY, GS32.....107
 TIE ROD ASSY, GS46.....107
 TRIGGER, EXTENDED.....163
 TUBE, ASSY, DRAW.....119, 176
 TUBE, ASSY, RETURN.....119, 176
 TUBE, ENTRY SWING, GS32.....147-148
 TUBE, VERT, FOLDING.....147-148
 TUBING,PVC,1",BLACK***.....147-148

U

U-BOLT, SQR, 3/8-16X2X5, PLTD.....193
 UI, GR/GRC/GS PCON DECAL.....15, 17, 23,
 25, 39, 41, 47, 49, 55, 57, 63, 65, 71, 73, 87,
 89, 95, 97, 103, 105, 158

V

VALVE, DYN. BRAKING, GS32/46.....167
 VALVE,CARTRIDGE***.....173
 VALVE,CHECK,#6-#6,MJIC TO MORB.....167,
 176
 VALVE,CHECK,PILOT OPERATED.....181
 VALVE,DIFF.AREA RELIEF,50PSI.....167
 VALVE,HAND PUMP ASSEMBLY***.....169
 VALVE,PILOT OPERATED ASSEMBLY*.....169
 VALVE,RELIEF,2900 PSI,BOSCH.....173
 VALVE,RELIEF,3500PSI***.....183
 VALVE,SOLENOID 2 POS, 2 WAY.....181
 VALVE,SOLENOID,3POS 4WAY.....167
 VALVE,SOLENOID,3POS4WAY,GS68.....183
 VALVE,W/NC SOLENOID,MANUAL***.....173
 VALVE-RELIEF, 3700 PSI #8**.....167
 VALVE-RELIEF,2500PSI.....173
 VALVE-SOLENOID, 2POS 4 WAY.....167
 VALVE-SOLENOID,2POS 4WAY**.....167

W

WASHER,FLAT, 1.27 X 2.13 X .13.....141
 WASHER,FLAT,375 X 1.5 X .125.....107
 WASHER,FLAT, 5 HARDENED.....109
 WASHER,FLAT,.75 HARDENED.....115
 WASHER,FLAT,MS,#8,Y.....111
 WASHER,FLAT,USS,1/4"Y.....115, 119, 131,
 143-144, 147-148, 151-152, 185, 191
 WASHER,FLAT,USS,3/8",Y.....109, 113, 147-
 148, 151-152, 193, 195
 WASHER,FLAT,USS,5/16",Y.....113, 148
 WASHER,LOCK,.25..119, 131, 139, 141, 143-
 144, 147-148, 151-152, 173, 197
 WASHER,LOCK,.313.....189
 WASHER,LOCK,.375.....171
 WASHER,NITRILE.....121
 WASHER,SCIS ARM,1.54X2.00X.125.....139,
 141, 143-144
 WASHER,SHIM,.625 X 1.188X.064.....113
 WASHER,SHIM,.765X1.312 X.093**.....113
 WASHER,SHOULDER,NYLON.....147-148,
 151-152
 WASHER,STAR,EXTERNAL,#8.....155
 WASHER,STAR,EXTERNAL,.375.....113, 121
 WASHER,THRUST, GS.....107
 WASHER,THRUST,63 X 1.13 X .06.....113
 WEAR PAD,PLATFORM.....147-148, 151-152
 WEAR/GUIDE PAD MAIN PLATFORM.....147-
 148, 151-152
 WELDMENT, CHAIN GATE.....148

WELDMENT, CLAMP.....195
 WELDMENT, HALF GATE.....147-148
 WELDMENT, POT HOLE, LEFT SIDE.....113
 WELDMENT, POT HOLE, RIGHT SIDE.....113
 WELDMENT,20XX LADDER.....109
 WELDMENT,CABLE BRIDGE***.....144
 W E L D M E N T , C A B L E
 BRIDGE, TOP,32XX.....143-144
 WELDMENT,CABLEBRIDGE HOOK.....143-
 144
 WELDMENT,CHASSIS MOUNT.....137
 WELDMENT,EXT SIDERAIL***.....148
 WELDMENT,EXT SIDERAIL,RT***.....152
 WELDMENT,GS HYD TRAY.....119
 WELDMENT,PLATFORM MOUNT.....137
 WELDMENT,ROLLER BRACKET,LT***.....148,
 151-152
 WELDMENT,UPPER EXT RAIL,GS32**.....148
 WELDMENT.CABLE BRIDGE, TOP...139, 141,
 144
 WHEEL & TIRE ASSY LP,15".....107
 WIRE CABLE, 18/5 - UNSHIELDED...124, 127
 WIRE CABLE,14/3 CON.TPE JKT*.....155
 WIRE CAP,ORANGE.....155
 WIRE LOOM,1.25 DIA.....129
 WLDMNT,CABLE BRIDGE,LOWER.....139,
 141, 144
 WLDMT, ENTRY SIDERAIL, LT.....151-152
 WLDMT, ENTRY SIDERAIL, RT.....151-152
 WLDMT, EXT. DECK, GS32.....148
 WLDMT, EXT. DECK, GSXX46.....152
 WLDMT, EXT. SIDERAIL, LT.....152
 WLDMT, EXTENSION ENDRAIL.....152
 WLDMT, FULL HEIGHT GATE.....151-152
 WLDMT, LANYARD ROLLER BRKT.....148,
 151-152
 WLDMT, LOWER EXT RAIL.....148
 WLDMT, MAIN DECK, GSXX46.....151-152
 WLDMT, MAIN SIDERAIL, LEFT.....151-152
 WLDMT, OUTRIGGER, FRONT.....131
 WLDMT, OUTRIGGER, LR.....131
 WLDMT, OUTRIGGER, RR.....131
 WLDMT,CABLE BRIDGE,BOTTOM.....139,
 141, 144
 WLDMT,CABLE BRIDGE,BOTTOM,3246...144
 WLDMT,DECAL PLATE, GS30/32.....148
 WLDMT,GS BATTERY TRAY.....115
 WLDMT,GS32/46 LADDER***.....109
 WLDMT,LNK,INNER #1.....139, 141, 143-144
 WLDMT,LNK,INNER #3,2032.....139
 WLDMT,LNK,INNER #3,2046.....139
 WLDMT,LNK,INNER #3,32XX.....144
 WLDMT,LNK,INNER #4,2632.....141
 WLDMT,LNK,INNER #5,3232.....143-144
 WLDMT,LNK,INNER #5,3246***.....143-144
 WLDMT,LNK,OUT #3-20XX,#5-32XX.....139,
 143-144
 WLDMT,LNK,OUTER #1,GS32.....139, 141,
 143-144
 WLDMT,LNK,OUTER #1,XX46.....139, 141,
 143-144
 WLDMT,LNK,OUTER #2,#3,#4.....139, 141,
 143-144
 WLDMT,LNK,OUTER #4,26XX.....141
 WLDMT,LNK,OUTER #4,26XX,LEFT.....141
 WLDMT,LOCKING ROLLER SUPPORT...147-
 148, 151-152
 WLDMT,MAIN DECK,GS32.....147-148
 WLDMT,POT HOLE,LT,OR.....113

WLDMT,POT HOLE,RT,OR.....113
 WLDMT,STEER YOKE,LT,GS32/46.....107
 WLDMT,STEER YOKE,RT,GS32/46.....107
 WLDMT,TIE ROD,GS32.....107
 WLDMT,TIE ROD,GS46.....107
 WLDMT/ASSY, PH GUIDE,GS30/32.....113
 WLDMT/ASSY,PH GUIDE,GS46.....113
 WLDT, HALF GATE CATCH, GS32.....147-148
 WORKLIGHT BRACKET.....189
 WORKLIGHT CABLE,GS19/20XX.....189
 WORKLIGHT CABLE,GS26XX.....189
 WORKLIGHT CABLE,GS32XX.....189
 WORKLIGHT PIGTAIL ASSY.....189
 WORKLIGHT,24V,COIL CORD.....189

Fitting Cross References

Genie PN	Parker PN	Description	Genie PN	Parker PN	Description
12342	6-4 F5OX-S	CONNECTOR,STRAIGHT THREAD TO FLARE TUBE	42794	1 CR-S	ELBOW,90°,MALE PIPE
13757	4 R6X-S	RUN TEE,SWIVEL NUT,ORFS	42795	BV-0839	BALL VALVE
19685	12-10 C5OX-S	ELBOW,90°,STRAIGHT THREAD TO FLARE TUBE	42796	BV-0838	BALL VALVE
22664	12-10 C5OX	ELBOW,90°,STRAIGHT THREAD TO FLARE TUBE	42874	6-8 CLO-S	ELBOW,90°,MALE PIPE TO ORFS
27431	8-12 F5OX-S	CONNECTOR,STRAIGHT THREAD TO FLARE TUBE	42912	13943-6-4	HOSE END,90° FEMALE SWIVEL,JIC
28678	AS-B-33	SLEEVE,NYLON,1.81" ID	42920	BV-0840	BALL VALVE,90°
39871	6 WETX-WLN-S	UNION,90° BULKHEAD W/NUT,FLARE TUBE	42932	AS-B-17	SLEEVE,NYLON,1.22" ID
39872	4 R5OX-S	RUN TEE,STRAIGHT THREAD	42936	10243-2-4	HOSE END,FEMALE PIPE
39873	6 C5OX-S	ELBOW,90°,STRAIGHT THREAD TO FLARE TUBE	42953	1/2 DD-S	ELBOW,90°,FEMALE PIPE
39874	8-6 C5OX-S	ELBOW,90°,STRAIGHT THREAD TO FLARE TUBE	42956	6 WELO-WLNL-S	UNION,90° BULKHEAD W/NUT,ORFS
39875	4-6 C5OX-S	ELBOW,90°,STRAIGHT THREAD TO FLARE TUBE	45349	8 V5OX-S	ELBOW,45°,STRAIGHT THREAD TO FLARE TUBE
39876	6-8 C5OX-S	ELBOW,90°,STRAIGHT THREAD TO FLARE TUBE	45351	4 V5OX-S	ELBOW,45°,STRAIGHT THREAD TO FLARE TUBE
39877	4 F5OX-S	CONNECTOR,STRAIGHT THREAD TO FLARE TUBE	47223	10343-6-6	HOSE END,MALE,JIC
39878	6 F5OX-S	CONNECTOR,STRAIGHT THREAD TO FLARE TUBE	47419	PS690503-6-6	SWIVEL,90°,STRAIGHT THREAD TO 37° FLARE
39879	4-8 F5OX-S	CONNECTOR,STRAIGHT THREAD TO FLARE TUBE	48750	421-4	HOSE,1/4 INCH ID
39880	6-10 F5OX-S	CONNECTOR,STRAIGHT THREAD TO FLARE TUBE	48751	481TC-4	HOSE,1/4 INCH ID
39881	4-6 F5OX-S	CONNECTOR,STRAIGHT THREAD TO FLARE TUBE	48752	482TC-4	HOSE,1/4 INCH ID
39882	4-HP5ON-S	PLUG,STRAIGHT THREAD	48753	451TC-6	HOSE,3/8 INCH ID
39883	8-8 FTX-S	CONNECTOR,MALE PIPE TO FLARE TUBE	48754	482TC-6	HOSE,3/8 INCH ID
39885	269HB 12-12	ELBOW,90°,BEADED HOSE BARB TO MALE PIPE	48755	381-6	HOSE,3/8 INCH ID
39886	431-6	HOSE,3/8 INCH ID	48756	451TC-8	HOSE,1/2 INCH ID
39887	540N-2	HOSE,1/8 INCH ID	48757	482TC-8	HOSE,1/2 INCH ID
39888	801-8	HOSE,1/2 INCH ID	48758	381-8	HOSE,1/2 INCH ID
39889	801-12	HOSE,3/4 INCH ID	48759	381-10	HOSE,5/8 INCH ID
39890	10643-6-6	HOSE END,FEMALE SWIVEL,JIC	48760	451TC-10	HOSE,5/8 INCH ID
39891	13943-6-6	HOSE END,90° FEMALE SWIVEL,JIC	48761	482TC-12	HOSE,3/4 INCH ID
39892	13743-6-6	HOSE END,45° FEMALE SWIVEL,JIC	48762	451TC-12	HOSE,3/4 INCH ID
39894	30682-8-8	HOSE END,FEMALE SWIVEL,JIC	48763	772-12	HOSE,3/4 INCH ID
39895	30682-10-12	HOSE END,FEMALE SWIVEL,JIC	48764	881-16	HOSE,1 INCH ID
42286	8-8 CTX-S	ELBOW,90°,MALE PIPE TO FLARE TUBE	48765	772-16	HOSE,1 INCH ID
42756	8-12 CLO-S	ELBOW,90,MALE PIPE TO ORFS	48766	AS-B-15	SLEEVE,NYLON,1.06" ID
42757	8-12 FLO-S	CONNECTOR,MALE PIPE TO ORFS	48767	AS-B-22	SLEEVE,NYLON,1.42" ID
42758	4 JLO-S	UNION TEE,ORFS	48770	881-8	HOSE,1/2 INCH ID
42759	4-4 FLO-S	CONNECTOR,MALE PIPE TO ORFS			
42760	6-8 FLO-S	CONNECTOR,MALE PIPE TO ORFS			
42761	1J143-6-4	HOSE END,90° FEMALE SWIVEL,SEAL LOK			
42762	1J743-6-4	HOSE END,45° FEMALE SWIVEL,SEAL LOK			
42768	1JO43-4-4	HOSE END,MALE,SEAL LOK			
42776	601-8	HOSE,1/2 INCH ID			
42777	1J743-16-16	HOSE END,45° FEMALE SWIVEL,SEAL LOK			
42786	16 CLO-S	ELBOW,90°,MALE PIPE TO ORFS			
42787	16 R6LO-S	RUN TEE,SWIVEL NUT,ORFS			
42788	16-8 TRLO-BL-S	REDUCER,TUBE END TO SWIVEL,ORFS			
42789	6-6 CLO-S	ELBOW,90°,MALE PIPE TO ORFS			
42790	8-10 V5OLO-S	ELBOW,45°,STRAIGHT THREAD TO ORFS			
42791	3/4 CD-S	ELBOW,90°,MALE TO FEMALE PIPE			
42792	3/4 X 1/2 PTR-S	REDUCER,MALE TO FEMALE PIPE			
42793	1/2 CR-S	ELBOW,90°,MALE PIPE			

Fitting Cross References (Continued)

Genie PN	Parker PN	Description	Genie PN	Parker PN	Description
48771	881-10	HOSE,5/8 INCH ID	48847	13943-12-12	HOSE END,90° FEMALE SWIVEL,JIC
48772	381-4	HOSE,1/4 INCH ID	48848	10543-12-12	HOSE END,MALE,STRAIGHT THREAD
48773	AS-B-13	SLEEVE,NYLON,.86" ID	48849	1JC71-12-12	HOSE END,FEMALE SWIVEL,SEAL LOK
48800	1JC43-4-4	HOSE END,FEMALE SWIVEL,SEAL LOK	48850	1JS71-12-12	HOSE END,FEMALE SWIVEL,SEAL LOK
48801	1J743-4-4	HOSE END,45° FEMALE SWIVEL,SEAL LOK	48851	1J171-12-12	HOSE END,90° FEMALE SWIVEL,SEAL LOK
48802	1J943-4-4	HOSE END,90° FEMALE SWIVEL,SEAL LOK	48852	1J771-12-12	HOSE END,45° FEMALE SWIVEL,SEAL LOK
48804	1JM43-4-4	HOSE END,MALE,SEAL LOK, NO O-RING	48853	1J971-12-12	HOSE END,90° FEMALE SWIVEL,SEAL LOK
48805	10643-4-4	HOSE END,FEMALE SWIVEL,JIC	48854	1JC43-16-16	HOSE END,FEMALE SWIVEL,SEAL LOK
48806	13943-4-4	HOSE END,90° FEMALE SWIVEL,JIC	48855	1J943-16-16	HOSE END,90° FEMALE SWIVEL,SEAL LOK
48807	1JS43-4-4	HOSE END,FEMALE SWIVEL,SEAL LOK	48856	1J171-16-16	HOSE END,90° FEMALE SWIVEL,SEAL LOK
48808	3JC82-8-8	HOSE END,FEMALE SWIVEL,SEAL LOK	48857	1J971-16-16	HOSE END,90° FEMALE SWIVEL,SEAL LOK
48809	3JC82-12-12	HOSE END,FEMALE SWIVEL,SEAL LOK	48859	1JS43-8-4	HOSE END,FEMALE SWIVEL,SEAL LOK
48810	1JC43-6-4	HOSE END,FEMALE SWIVEL,SEAL LOK	48867	PD36BTL	DIAGNOSTIC NIPPLE,SEAL-LOK SWIVEL
48811	1J943-6-4	HOSE END,90° FEMALE SWIVEL,SEAL LOK	48873	6 PNLO-S	PLUG,TUBE END,ORFS
48812	1JC43-6-6	HOSE END,FEMALE SWIVEL,SEAL LOK	48874	6 PNTX-S	PLUG,FLARE TUBE
48813	1J143-6-6	HOSE END,90° FEMALE SWIVEL,SEAL LOK	48875	6 R6LO-S	RUN TEE,SWIVEL NUT,ORFS
48814	1J543-6-6	HOSE END,90° FEMALE SWIVEL,SEAL LOK	48877	4 F5OLO-SW/.025	CONNECTOR,STRAIGHT THREAD TO ORFS, W/.025 ORI
48815	1J743-6-6	HOSE END,45° FEMALE SWIVEL,SEAL LOK	48878	16-12 C5OLO-S	ELBOW,90°,STRAIGHT THREAD TO ORFS
48816	1J943-6-6	HOSE END,90° FEMALE SWIVEL,SEAL LOK	48879	8 C6LO-S	ELBOW,90°,SWIVEL NUT ORFS
48817	1JS43-6-8	HOSE END,FEMALE SWIVEL,SEAL LOK	48880	PD6-285	CAP,DIAGNOSTIC NIPPLE
48818	1J943-8-4	HOSE END,90° FEMALE SWIVEL,SEAL LOK	48881	6 HLO-S	UNION,ORFS
48819	1JC43-8-6	HOSE END,FEMALE SWIVEL,SEAL LOK	48883	8 P5ON-S	PLUG,STRAIGHT THREAD
48820	1J743-8-6	HOSE END,45° FEMALE SWIVEL,SEAL LOK	48884	8M18F87OMLO-S	CONNECTOR,METRIC,STRAIGHT THREAD TO ORFS
48821	1J943-8-6	HOSE END,90° FEMALE SWIVEL,SEAL LOK	48885	4 WGTX-WLN-S	CONNECTOR,BULKHEAD,FEMALE PIPE TO FLARE TUBE
48822	1JC43-8-8	HOSE END,FEMALE SWIVEL,SEAL LOK	48886	4 F5OLO-SW/2MM	CONNECTOR,MACHINED STRAIGHT THREAD TO ORFS
48823	1JS43-8-8	HOSE END,FEMALE SWIVEL,SEAL LOK	48887	4 CTX-S	ELBOW,90°,MALE PIPE TO FLARE TUBE
48824	1J143-8-8	HOSE END,90° FEMALE SWIVEL,SEAL LOK	48888	10-12 V5OLO-S	ELBOW,45°,STRAIGHT THREAD TO ORFS
48825	1J543-8-8	HOSE END,90° FEMALE SWIVEL,SEAL LOK	48890	4 S5OLO-S	BRANCH TEE,STRAIGHT THREAD TO ORFS
48826	1J743-8-8	HOSE END,45° FEMALE SWIVEL,SEAL LOK	48891	4 S6LO-S	BRANCH TEE,SWIVEL NUT TO ORFS
48827	1J943-8-8	HOSE END,90° FEMALE SWIVEL,SEAL LOK			
48828	1JC43-10-8	HOSE END,FEMALE SWIVEL,SEAL LOK			
48829	1JS43-10-8	HOSE END,FEMALE SWIVEL,SEAL LOK			
48830	1J743-10-8	HOSE END,45° FEMALE SWIVEL,SEAL LOK			
48831	1J943-10-8	HOSE END,90° FEMALE SWIVEL,SEAL LOK			
48833	1JC43-10-10	HOSE END,FEMALE SWIVEL,SEAL LOK			
48834	1J943-10-10	HOSE END,90° FEMALE SWIVEL,SEAL LOK			
48835	1JS43-10-12	HOSE END,FEMALE SWIVEL,SEAL LOK			
48836	1JC43-12-8	HOSE END,FEMALE SWIVEL,SEAL LOK			
48837	1JS43-12-8	HOSE END,FEMALE SWIVEL,SEAL LOK			
48838	1J743-12-8	HOSE END,45° FEMALE SWIVEL,SEAL LOK			
48839	1J943-12-8	HOSE END,90° FEMALE SWIVEL,SEAL LOK			
48840	1J943-12-10	HOSE END,90° FEMALE SWIVEL,SEAL LOK			
48841	1JC43-12-12	HOSE END,FEMALE SWIVEL,SEAL LOK			
48842	1JO43-12-12	HOSE END,MALE,SEAL LOK			
48843	1J143-12-12	HOSE END,90° FEMALE SWIVEL,SEAL LOK			
48844	1J543-12-12	HOSE END,90° FEMALE SWIVEL,SEAL LOK			
48845	1J743-12-12	HOSE END,45° FEMALE SWIVEL,SEAL LOK			
48846	1J943-12-12	HOSE END,90° FEMALE SWIVEL,SEAL LOK			

Fitting Cross References (Continued)

Genie PN	Parker PN	Description	Genie PN	Parker PN	Description
48892	6 C6LO-S	ELBOW,90°,SWIVEL NUT ORFS	48938	8 R6LO-S	RUN TEE,SWIVEL NUT,ORFS
48893	6 F5OHAO-S	UNION,STRAIGHT THREAD	48939	8 S6LO-S	BRANCH TEE,SWIVEL NUT TO ORFS
48894	8 WLO-WLNL-S	UNION,BULKHEAD,ORFS	48940	8 WJLO-WLNL-S	RUN TEE, BULKHEAD,ORFS
48895	DT-370-MSMO-5	VALVE,CHECK	48941	8-4 TRLO-S	REDUCER,TUBE END TO SWIVEL,ORFS
48896	6 JLO-S	UNION,TEE,ORFS	48942	8-6 C5OLO-S	ELBOW,90°,STRAIGHT THREAD TO ORFS
48897	DT-750-MSMS-5	VALVE,CHECK	48943	8-6 F5OLO-S	CONNECTOR,STRAIGHT THREAD TO ORFS
48898	DT-750-MOMS-5	VALVE,CHECK	48944	8-8 FLO-S	CONNECTOR,MALE PIPE TO ORFS
48899	DT-620-MOMS-5	VALVE,CHECK	48945	8 FTX-S	CONNECTOR,MALE PIPE TO FLARE TUBE
48900	4-6 F5OLO-SW/.035	CONNECTOR,STRAIGHT THREAD TO ORFS, W/.035 ORI	48946	8-10 F5OLO-S	CONNECTOR,STRAIGHT THREAD TO ORFS
48902	16-1 AOE4G-S	ELBOW,90° LONG,FEMALE PIPE TO STRAIGHT THREAD	48947	8-12 C5OLO-S	ELBOW,90°,STRAIGHT THREAD TO ORFS
48903	1 FF-S	NIPPLE,PIPE	48948	8-12 F5OLO-S	CONNECTOR,STRAIGHT THREAD TO ORFS
48904	4 C5OLO-S	ELBOW,90°,STRAIGHT THREAD TO ORFS	48949	8-16 F5OLO-S	CONNECTOR,STRAIGHT THREAD TO ORFS
48905	4 F5OLO-S	CONNECTOR,STRAIGHT THREAD TO ORFS	48950	10 C5OLO-S	ELBOW,90°,STRAIGHT THREAD TO ORFS
48906	4 R5OLO-S	RUN TEE,STRAIGHT THREAD	48951	10 CC5OLO-S	ELBOW,90° LONG,STRAIGHT THREAD TO ORFS
48907	4 V5OLO-S	ELBOW,45°,STRAIGHT THREAD TO ORFS	48952	10 F5OLO-S	CONNECTOR,STRAIGHT THREAD TO ORFS
48908	4 R6LO-S	RUN TEE,SWIVEL NUT,ORFS	48953	10 R5OLO-S	RUN TEE,STRAIGHT THREAD
48909	4 WJLO-WLNL-S	RUN TEE, BULKHEAD,ORFS	48954	10 S5OLO-S	BRANCH TEE,STRAIGHT THREAD TO ORFS
48910	4 GTX-S W/.030	CONNECTOR,FEMALE PIPE TO FLARE TUBE	48955	10 R6LO-S	RUN TEE,SWIVEL NUT,ORFS
48911	4-6 C5OLO-S	ELBOW,90°,STRAIGHT THREAD TO ORFS	48956	10-4 TRLO-BL-S	REDUCER,TUBE END TO SWIVEL,ORFS
48912	4-6 F5OLO-S	CONNECTOR,STRAIGHT THREAD TO ORFS	48957	10-6 TRLO-BL-S	REDUCER,TUBE END TO SWIVEL,ORFS
48913	4-6 F5OLO-SW/.030	CONNECTOR,STRAIGHT THREAD TO ORFS, W/.030 ORI	48958	10-12 F5OLO-S	CONNECTOR,STRAIGHT THREAD TO ORFS
48914	4-8 F5OLO-S	CONNECTOR,STRAIGHT THREAD TO ORFS	48959	12 C5OLO-S	ELBOW,90°,STRAIGHT THREAD TO ORFS
48915	6 C5OLO-S	ELBOW,90°,STRAIGHT THREAD TO ORFS	48960	12 F5OLO-S	CONNECTOR,STRAIGHT THREAD TO ORFS
48916	6 F5OLO-S	CONNECTOR,STRAIGHT THREAD TO ORFS	48961	12 R5OLO-S	RUN TEE,STRAIGHT THREAD
48917	6 FF5OLO-S	CONNECTOR,LONG,STRAIGHT THREAD TO ORFS	48962	12 S5OLO-S	BRANCH TEE,STRAIGHT THREAD TO ORFS
48918	6 R5OLO-S	RUN TEE,STRAIGHT THREAD	48963	12 V5OLO-S	ELBOW,45°,STRAIGHT THREAD TO ORFS
48919	6 S5OLO-S	BRANCH TEE,STRAIGHT THREAD TO ORFS	48964	12 R6LO-S	RUN TEE,SWIVEL NUT,ORFS
48920	6 V5OLO-S	ELBOW,45°,STRAIGHT THREAD TO ORFS	48965	12 CLO-S	ELBOW,90°,MALE PIPE TO ORFS
48921	6 FLO-S	CONNECTOR,MALE PIPE TO ORFS	48966	12 FLO-S	CONNECTOR,MALE PIPE TO ORFS
48922	6-6 FLO-S	CONNECTOR,MALE PIPE TO ORFS	48967	12 JLO-S	UNION TEE,ORFS
48923	6 P5ON-S	PLUG,STRAIGHT THREAD	48968	12 WLO-WLNL-S	UNION,BULKHEAD,ORFS
48925	6 WELO-S	UNION,90° BULKHEAD,ORFS	48969	12 WJLO-WLNL-S	RUN TEE, BULKHEAD,ORFS
48926	6-4 C5OLO-S	ELBOW,90°,STRAIGHT THREAD TO ORFS	48970	12 WELO-WLNL-S	UNION,90° BULKHEAD W/NUT,ORFS
48927	6-4 F5OLO-S	CONNECTOR,STRAIGHT THREAD TO ORFS			
48928	6-4 V5OLO-S	ELBOW,45°,STRAIGHT THREAD TO ORFS			
48929	6-8 C5OLO-S	ELBOW,90°,STRAIGHT THREAD TO ORFS			
48930	6-8 F5OLO-S	CONNECTOR,STRAIGHT THREAD TO ORFS			
48931	6-10 F5OLO-S	CONNECTOR,STRAIGHT THREAD TO ORFS			
48932	8 C5OLO-S	ELBOW,90°,STRAIGHT THREAD TO ORFS			
48933	8 F5OLO-S	CONNECTOR,STRAIGHT THREAD TO ORFS			
48934	8 FF5OLO-S	CONNECTOR,LONG,STRAIGHT THREAD TO ORFS			
48935	8 R5OLO-S	RUN TEE,STRAIGHT THREAD			
48936	8 S5OLO-S	BRANCH TEE,STRAIGHT THREAD TO ORFS			
48937	8 V5OLO-S	ELBOW,45°,STRAIGHT THREAD TO ORFS			

Fitting Cross References (Continued)

Genie PN	Parker PN	Description	Genie PN	Parker PN	Description
48971	12 G5G5JG5-S	TEE,FEMALE STRAIGHT THREAD	49612	PKT02586	O-RING KIT (ORFS FITTINGS)
48972	12 XHL6-S	ADAPTER, 37° MALE TO SWIVEL ORFS	49613	PKT06276	PLUG AND CAP KIT-SERVICE,ORFS
48973	12-1/2 F5OG-S	ADAPTER,FEMALE PIPE TO STRAIGHT THREAD	49728	10143-12-12	HOSE END, MALE PIPE
48974	12-10 C5OLO-S	ELBOW,90°,STRAIGHT THREAD TO ORFS	49729	16-1 F5OG-S	ADAPTER,FEMALE PIPE TO STRAIGHT THREAD
48975	12-10 F5OLO-S	CONNECTOR,STRAIGHT THREAD TO ORFS	49814	12-8 FLO-S	CONNECTOR,MALE PIPE TO ORFS
48976	12-16 C5OLO-S	ELBOW,90°,STRAIGHT THREAD TO ORFS	49829	DT-500-MOMF-5	VALVE,CHECK
48977	12-16 F5OLO-S	CONNECTOR,STRAIGHT THREAD TO ORFS	49831	881-12	HOSE,3/4 INCH ID
48978	12-16 V5OLO-S	ELBOW,45°,STRAIGHT THREAD TO ORFS	49834	16 JLO-S	UNION TEE,ORFS
48980	12-16 FLO-S	CONNECTOR,MALE PIPE TO ORFS	49838	12-8 TRLO-BL-S	REDUCER,TUBE END TO SWIVEL,ORFS
48983	16 C5OLO-S	ELBOW,90°,STRAIGHT THREAD TO ORFS	49840	8 JLO-S	UNION TEE,ORFS
48984	16 F5OLO-S	CONNECTOR,STRAIGHT THREAD TO ORFS	49844	10-8 TRLO-BL-S	REDUCER,TUBE END TO SWIVEL,ORFS
48985	16 V5OLO-S	ELBOW,45°,STRAIGHT THREAD TO ORFS	49854	8 P5ON-S	PLUG,STRAIGHT THREAD
48986	16 FLO-S	CONNECTOR,MALE PIPE TO ORFS	49855	1JC43-16-12	HOSE END,FEMALE SWIVEL,SEAL LOK
48988	16 CD45-S	ELBOW,45°,MALE TO FEMALE PIPE	49859	4 P5ON-S	PLUG,STRAIGHT THREAD
48989	12 CD45-S	ELBOW,45°,MALE TO FEMALE PIPE	49861	4 FF5OLO-S	CONNECTOR,LONG,STRAIGHT THREAD TO ORFS
48990	8 CD45-S	ELBOW,45°,MALE TO FEMALE PIPE	49867	12-3/4 F5OG-S	ADAPTER,FEMALE PIPE TO STRAIGHT THREAD
48991	16-12 FLO-S	CONNECTOR,MALE PIPE TO ORFS	51152	6 R6X-S	RUN TEE,SWIVEL NUT,ORFS
48992	16-12 V5OLO-S	ELBOW,45°,STRAIGHT THREAD TO ORFS	51153	6-4 TRTX-S	REDUCER,TUBE END TO SWIVEL,ORFS
48993	XV501-12	BALL VALVE	51154	4-4 GTX	CONNECTOR,FEMALE PIPE TO FLARE TUBE
48994	XV501-16	BALL VALVE	51264	881-12	HOSE,3/4 INCH ID
48995	XV510P-12	BALL VALVE	51265	8 JLO-S	UNION TEE,ORFS
48996	XV510P-16	BALL VALVE	51508	6 BTX-S	NUT,FLARE TUBE
48997	PD341	DIAGNOSTIC NIPPLE, STRAIGHT THREAD	51580	12-8 TRLO-BL-S	TUBE END REDUCER,ORFS
48998	PD 361	DIAGNOSTIC NIPPLE, STRAIGHT THREAD	51628	6 R6X-S	RUN TEE,SWIVEL NUT,ORFS
48999	DT-500-MOMS-5	VALVE,CHECK	51735	3/8 HHP	PLUG,PIPE THREAD
49201	10 V5OLO-S	ELBOW,45°,STRAIGHT THREAD TO ORFS	51803	1J943-6-8	HOSE END,90° FEMALE SWIVEL,SEAL LOK
49202	1JC43-12-10	HOSE END,FEMALE SWIVEL,SEAL LOK	53023	125HBL-5-4	FITTING,HOSE BARB TO MALE PIPE
49203	10-8 V5OLO-S	ELBOW,45°,STRAIGHT THREAD TO ORFS	53497	PKT02585	O-RING KIT
49205	6 F5OHAO-S	UNION,STRAIGHT THREAD	53499	1JC71-16-16	HOSE END,FEMALE SWIVEL,SEAL LOK
49207	PD34BTL	DIAGNOSTIC NIPPLE,SEAL-LOK SWIVEL	53500	3-904	O-RING,STRAIGHT THREAD,-4
49209	8M18F870MX-S	CONNECTOR,METRIC,STRAIGHT THREAD TO FLARE TUBE	53501	3-906	O-RING,STRAIGHT THREAD,-6
49212	8 WGTX-WLN-S	CONNECTOR,BULKHEAD,FEMALE PIPE TO FLARE TUBE	53502	3-908	O-RING,STRAIGHT THREAD,-8
49213	30682-8-8	HOSE END,FEMALE SWIVEL,JIC	53503	3-910	O-RING,STRAIGHT THREAD,-10
49216	831-8	HOSE,1/2 INCH ID			
49217	33982-8-8	HOSE END,90° FEMALE SWIVEL,JIC			
49219	PS-B-35	SLEEVE,NYLON,2.19" ID			
49418	4-6 V5OLO-S	ELBOW,45°,STRAIGHT THREAD TO ORFS			
49511	DT370-MOMS-5	VALVE,CHECK			
49512	1 DD-S	ELBOW,90°,FEMALE PIPE			
49513	1 FF-S	NIPPLE,PIPE			
49514	10 HP5ON-S	PLUG,STRAIGHT THREAD			
49515	12-16 CLO-S	ELBOW,90°,MALE PIPE TO ORFS			
49517	6 HP5ON-S	PLUG,STRAIGHT THREAD			
49519	16-12 F5OLO-S	CONNECTOR,STRAIGHT THREAD TO ORFS			
49520	4 VTX-S	ELBOW,45°,MALE PIPE TO FLARE TUBE			
49530	16 C6LO-S	ELBOW,90°,SWIVEL NUT ORFS			

Fitting Cross References (Continued)

Genie PN	Parker PN	Description	Genie PN	Parker PN	Description
53535	3-912	O-RING, STRAIGHT THREAD, -12	61083	24 F5OLO-S	CONNECTOR, STRAIGHT THREAD TO ORFS
53536	4-PNLO-S	PLUG, TUBE END, ORFS	61086	20 R5OLO-S	RUN TEE, STRAIGHT THREAD
53537	6 PNLO-S	PLUG, TUBE END, ORFS	61090	24-20 F5OLO-S	CONNECTOR, STRAIGHT THREAD TO ORFS
53538	8 PNLO-S	PLUG, TUBE END, ORFS	61091	1J943-24-24	HOSE END, 90° FEMALE SWIVEL, SEAL LOK
53539	10 PNLO-S	PLUG, TUBE END, ORFS	61093	1J978-12-12	HOSE END, 90° FEMALE SWIVEL, JIC
53540	12 PNLO-S	PLUG, TUBE END, ORFS	61095	1JS43-20-16	HOSE END, FEMALE SWIVEL, SEAL LOK
53946	129HB-5-4	FITTING, 90° HOSE BARB TO MALE PIPE	61100	811-24	HOSE, 1 1/2 INCH ID
53951	8-1/4F50G-S	ADAPTER, FEMALE PIPE TO STRAIGHT THREAD	61130	1JS43-24-24	HOSE END, FEMALE SWIVEL, SEAL LOK
53980	6 S6LO-S	BRANCH TEE, SWIVEL NUT TO ORFS	61131	1JS78-12-12	HOSE END, FEMALE SWIVEL, SEAL LOK
54132	4 C6LO-S	ELBOW, 90°, SWIVEL NUT ORFS	61132	1J778-12-12	HOSE END, 45° FEMALE SWIVEL, JIC
54135	11343-16-16	HOSE END, MALE SWIVEL, PIPE	61152	139HB-6-4	ELBOW, 45°, BARB TO MALE PIPE
54283	8-10 C5OLO-S	ELBOW, 90°, STRAIGHT THREAD TO ORFS	61251	BV-0750	BALL VALVE
54428	8M18C870MLO-S	ELBOW, 90° METRIC, STRAIGHT THREAD TO ORFS	61259	4 CC5OLO-S	ELBOW, 90° LONG, STRAIGHT THREAD TO ORFS
54803	FS-F-16-10	SLEEVE, FIRE, .96" ID	61260	20-12 TRLO-BL	REDUCER, TUBE END TO SWIVEL, ORFS
54954	10143-2-4	HOSE END, MALE PIPE	61262	12 C6LO-S	ELBOW, 90°, SWIVEL NUT ORFS
55190	3/8 HP-S	PLUG, PIPE THREAD	61263	20 F5OHAO-S	UNION, STRAIGHT THREAD
55448	8 HLO-S	UNION, ORFS	61264	6-10 C5OLO-S	ELBOW, 90°, STRAIGHT THREAD TO ORFS
55839	6 F65OX-S	CONNECTOR, STRAIGHT THREAD TO 37° SWIVEL	61265	6 WNLO-WLNL-S	UNION, BULKHEAD 45°, ORFS
55968	10 C5OX-S	ELBOW, 90°, STRAIGHT THREAD TO FLARE TUBE	61268	4 WNLO-WLNL-S	UNION, BULKHEAD 45°, ORFS
56003	6 CC5OLO-S	ELBOW, 90° LONG, STRAIGHT THREAD TO ORFS	61269	4 WLO-WLNL-S	UNION, BULKHEAD, ORFS
56166	BV-0837	BALL VALVE, 90°	61272	12 AOEL6	ELBOW, 90°, STRAIGHT THREAD TO ORFS SWIVEL
56188	10143-8-6	HOSE END, MALE PIPE	61316	482TC-16	HOSE, 1 INCH ID
56233	2-011	O-RING, ORFS, -4	61321	6 JLO-S	UNION TEE, ORFS
56234	2-012	O-RING, ORFS, -6	61327	782-12	HOSE, 3/4 INCH ID
56235	2-014	O-RING, ORFS, -8	61328	881-24	HOSE, 1 1/2 INCH ID
56236	2-016	O-RING, ORFS, -10	61336	11943-20-24	HOSE END, 90° FLANGE HEAD
56237	2-018	O-RING, ORFS, -12	61345	12 WJLO-WLNL-S	RUN TEE, BULKHEAD, ORFS
56238	2-021	O-RING, ORFS, -16	61346	8 WNLO-WLNL-S 4	UNION, BULKHEAD 45°, ORFS
56352	6 WLNL-S	LOCKNUT, BULKHEAD	61569	33782-8-8	HOSE END, 45° FEMALE SWIVEL, JIC
56353	3J782-12-12	HOSE END, 45° FEMALE SWIVEL, SEAL LOK	61610	12 FF5OLO-S	CONNECTOR, LONG, STRAIGHT THREAD TO ORFS
56354	3J982-12-12	HOSE END, 90° FEMALE SWIVEL, SEAL LOK	61742	1/8 X 1.5 FFF	NIPPLE, PIPE
56604	10-8 F5OLO-S	CONNECTOR, STRAIGHT THREAD TO ORFS	63426	8 PNTX-S	PLUG, FLARE TUBE
56639	3JC82-10-10	HOSE END, FEMALE SWIVEL, SEAL LOK			
56640	3J982-10-10	HOSE END, 90° FEMALE SWIVEL, SEAL LOK			
56655	3JC82-8-10	HOSE END, FEMALE SWIVEL, SEAL LOK			
56676	10-8 C5OLO-S	ELBOW, 90°, STRAIGHT THREAD TO ORFS			
56776	471TC-6	HOSE, 3/8 INCH ID			
56777	471TC-8	HOSE, 1/2 INCH ID			
56789	811-16	HOSE, 1 INCH ID			
57884	3/8 FF	NIPPLE, PIPE			
59335	6 FNL-S	CAP, TUBE END			
59342	4 FNL-S	CAP, TUBE END			
59371	8 HP5ON-S	PLUG, STRAIGHT THREAD			
60653	BV-0751	BALL VALVE			
60806	125HB-3-4	FITTING, HOSE BARB TO MALE PIPE			
61064	5-1/4 F50G-S	ADAPTER, FEMALE PIPE TO STRAIGHT THREAD			
61079	4 WELO-WLNL-S	UNION, 90° BULKHEAD W/NUT, ORFS			
61080	6 WLO-WLNL-S	UNION, BULKHEAD, ORFS			

Fitting Cross References (Continued)

Genie PN	Parker PN	Description	Genie PN	Parker PN	Description
64271	4 WLO-WLNL-S	UNION,BULKHEAD,ORFS	75631	801-6	HOSE,3/8 INCH ID
64272	6 WLO-WLNL-S	UNION,BULKHEAD,ORFS	75654	20 F5OLO-S	CONNECTOR,STRAIGHT THREAD TO ORFS
65776	8 F65OL-S	CONNECTOR,STRAIGHT THREAD TO ORFS SWIVEL	75655	1J943-20-20	HOSE END,90° FEMALE SWIVEL,SEAL LOK
65880	6001012	O-RING KIT	75656	881-20	HOSE,1-1/4 INCH ID
66154	6 WTX-WLNS	UNION,BULKHEAD,FLARE TUBE	75971	8 F5OHAO-S	UNION,STRAIGHT THREAD
66155	6 WETX-S	UNION,BULKHEAD 90°,FLARE TUBE	77307	1JB43-8-8	HOSE END,BULKHEAD,SEAL LOK
66156	6 WLN-S	BULKHEAD LOCKNUT	77309	8 WLNL-S	BULKHEAD LOCKNUT
66389	6-8 F5OX-S	CONNECTOR,STRAIGHT THREAD TO FLARE TUBE	77379	8M18C87OMX-S	ELBOW,90° METRIC,STRAIGHT THREAD TO FLARE TUBE
66392	6 R5OX-S	RUN TEE,STRAIGHT THREAD	77703	3J982-8-8	HOSE END,90° FEMALE SWIVEL,SEAL LOK
66396	811-12	HOSE,3/4 INCH ID	77711	801-10	HOSE,5/8 INCH ID
66829	H3174PP	CLAMP,TUBE	77758	12 WNLO-WLNL-S	UNION,BULKHEAD 45°,ORFS
67217	4 KLO-S	UNION,CROSS,ORFS	78091	6 C6X-S	ELBOW,90°,SWIVEL NUT TO FLARE TUBE
67339	10-6 F5OX-S	CONNECTOR,STRAIGHT THREAD TO FLARE TUBE	78684	30582-8-8B	HOSE END,PUSH LOK,MALE
67357	13943-8-6	HOSE END,90° FEMALE SWIVEL,JIC	78852	549-2	HOSE,1/8 INCH ID
67358	10 HP5ON-S	PLUG,STRAIGHT THREAD	78855	10657-4-2	HOSE END,FEMALE SWIVEL,JIC
67371	12 S6LO-S	BRANCH TEE,SWIVEL NUT TO ORFS	79138	PS-B-37	SLEEVE,NYLON,2.38" ID
67498	4 FNL-S	CAP, TUBE END	79476	1JS43-6-8	HOSE END,FEMALE SWIVEL,SEAL LOK
67906	DC-370-F0F0-5	VALVE,CHECK	79847	12-3/4 A0EG-S	ELBOW,90°,STRAIGHT THREAD TO FEMALE PIPE
69316	8 FLO-S	CONNECTOR,MALE PIPE TO ORFS	80044	8 CLO-S	ELBOW,90°,MALE PIPE TO ORFS
69333	H3174PP	CLAMP,HYDRAULIC HOSE	80502	8 F5OX-S	CONNECTOR,STRAIGHT THREAD TO FLARE TUBE
69503	4 F65OX-S	CONNECTOR,STRAIGHT THREAD TO 37° SWIVEL	80503	8 C5OX-S	ELBOW,90°,STRAIGHT THREAD TO FLARE TUBE
69775	8 FNL-S	CAP, TUBE END	81010	AS-B-27	SLEEVE,NYLON,1.63" ID
71038	1/4X1/4F3HG-S	ADAPTER,CONVERSION	83052	821-6	HOSE,3/8 INCH ID
71196	12-8 F5OLO-S	CONNECTOR,STRAIGHT THREAD TO ORFS	83053	821-8	HOSE,1/2 INCH ID
71383	1/4 CD45-S	ELBOW,45°,MALE TO FEMALE PIPE	83054	821-12	HOSE,3/4 INCH ID
72270	12FNL-S	CAP, TUBE END	83055	30682-6-6	HOSE END,FEMALE SWIVEL,JIC
73436	60C-4	SLEEVE,COMPRESSION	83056	30682-12-12	HOSE END,FEMALE SWIVEL,JIC
73437	61C-4	NUT,COMPRESSION	83057	33782-6-6	HOSE END,45° FEMALE SWIVEL,JIC
73438	33482-4-4B	HOSE END,PUSH LOK,MALE	83058	33982-6-6	HOSE END,90° FEMALE SWIVEL,JIC
73767	1CD-S	ELBOW,90°,MALE TO FEMALE PIPE	83060	33982-12-12	HOSE END,90° FEMALE SWIVEL,JIC
73768	20-16-F5OG5-S	ADAPTER,FEMALE PIPE TO STRAIGHT THREAD	83063	13743-4-4	HOSE END,45° FEMALE SWIVEL,JIC
73769	16-20 F5OLO-S	CONNECTOR,STRAIGHT THREAD TO ORFS			
74660	6-8 F42EDMLO-S	CONNECTOR,MALE BSPP TO ORFS			
74661	8-8 F42EDMLO-S	CONNECTOR,MALE BSPP TO ORFS			
75007	4 FLO-S	CONNECTOR,MALE PIPE TO ORFS			
75008	1/8 HP-S	PLUG,PIPE THREAD			
75014	1/2 HP-S	PLUG,PIPE THREAD			
75042	8 WELO-WLNL-S	UNION,90° BULKHEAD W/NUT,ORFS			
75043	3/4 FF-S	NIPPLE,PIPE			
75254	24 F5OHAO-S	UNION,STRAIGHT THREAD			
75255	12 F5OHAO-S	UNION,STRAIGHT THREAD			
75256	XV506P-24	BALL VALVE			
75574	4 WLNL-S	BULKHEAD LOCKNUT			
75612	8 WJLO-WLNL-S	RUN TEE, BULKHEAD,ORFS			
75613	12-8 F5OG5-S	ADAPTER,FEMALE PIPE TO STRAIGHT THREAD			
75614	8 CC5OLO-S	ELBOW,90° LONG,STRAIGHT THREAD TO ORFS			
75628	1JB43-4-4	HOSE END,BULKHEAD,SEAL LOK			

Fitting Cross References (Continued)

Genie PN	Parker PN	Description	Genie PN	Parker PN	Description
83064	13743-8-8	HOSE END,45° FEMALE SWIVEL,JIC	89449	6 WJLO-WLNL-S	RUN TEE, BULKHEAD,ORFS
83065	13743-12-12	HOSE END,45° FEMALE SWIVEL,JIC	89489	4 WJMLO-S	BRANCH TEE,BULKHEAD,ORFS
83066	13943-8-8	HOSE END,90° FEMALE SWIVEL,JIC	89551	1JB43-6-6	HOSE END,BULKHEAD,SEAL LOK
83067	14143-6-6	HOSE END,90° FEMALE SWIVEL,JIC	89552	1JB43-8-8	HOSE END,BULKHEAD,SEAL LOK
83068	14143-8-8	HOSE END,90° FEMALE SWIVEL,JIC	89593	20 C5OLO-S	ELBOW,90°,STRAIGHT THREAD TO ORFS
83069	14143-12-12	HOSE END,90° FEMALE SWIVEL,JIC	94161	8-8 CLO-S	ELBOW,90°,MALE PIPE TO ORFS
83070	772-8	HOSE,1/2 INCH ID	94358	351TC-12	HOSE,3/4 INCH ID
83071	10671-8-8	HOSE END,FEMALE SWIVEL,JIC	94418	20 FLO-S	CONNECTOR,MALE PIPE TO ORFS
83072	10671-12-12	HOSE END,FEMALE SWIVEL,JIC	96358	12 TX-S	SLEEVE,FLARE TUBE
83073	13771-8-8	HOSE END,45° FEMALE SWIVEL,JIC	96359	12 BTX-S	NUT,FLARE TUBE
83074	13771-12-12	HOSE END,45° FEMALE SWIVEL,JIC	96397	8 F5OX-S	CONNECTOR,STRAIGHT THREAD TO FLARE TUBE
83075	13971-8-8	HOSE END,90° FEMALE SWIVEL,JIC	96398	12-8 F5OX-S	CONNECTOR,STRAIGHT THREAD TO FLARE TUBE
83076	13971-12-12	HOSE END,90° FEMALE SWIVEL,JIC	96402	10343-6-6	HOSE END,MALE,JIC
83077	14171-8-8	HOSE END,90° FEMALE SWIVEL,JIC	96407	30382-6-6B	HOSE END,MALE,JIC
83078	14171-12-12	HOSE END,90° FEMALE SWIVEL,JIC			
83080	13943-16-16	HOSE END,90° FEMALE SWIVEL,JIC			
83103	10671-16-12	HOSE END,FEMALE SWIVEL,JIC			
83104	10671-10-12	HOSE END,FEMALE SWIVEL,JIC			
83112	1JC71-8-8	HOSE END,FEMALE SWIVEL,SEAL LOK			
83113	1JS71-16-12	HOSE END,FEMALE SWIVEL,SEAL LOK			
83114	1JS71-10-12	HOSE END,FEMALE SWIVEL,SEAL LOK			
83115	1J971-8-8	HOSE END,90° FEMALE SWIVEL,SEAL LOK			
83116	1J171-8-8	HOSE END,90° FEMALE SWIVEL,SEAL LOK			
83117	1J771-8-8	HOSE END,45° FEMALE SWIVEL,SEAL LOK			
83127	1J543-6-8	HOSE END,90° FEMALE SWIVEL,JIC			
83128	1JC43-6-8	HOSE END,FEMALE SWIVEL,SEAL LOK			
87033	12-6 TRLO-S	REDUCER,TUBE END TO SWIVEL,ORFS			
87034	3J782-8-8	HOSE END,45° FEMALE SWIVEL,SEAL LOK			
87172	12 HP5ON-S	PLUG,STRAIGHT THREAD			
87185	8 WNLO-WLNL-S	UNION,BULKHEAD 45°,ORFS			
87246	4 C6X-S	ELBOW,90°,SWIVEL NUT TO FLARE TUBE			
87679	6 LHP-S	FLANGE SEAL FITTING, MALE			
87681	6PLS N0702	BONDED SEAL			
88100	SR88100	ADAPTER,OIL DRAIN,GM 3.0L			
88311	1JS43-20-20	HOSE END,FEMALE SWIVEL,SEAL LOK			
88353	20 V5OLO-S	ELBOW,45°,STRAIGHT THREAD TO ORFS			
88474	10081-20	Crimp Shell, 1.25"			
88475	1988-20-24	HOSE END,90° FLANGE HEAD			
88476	JS88-24-24	HOSE END,FEMALE SWIVEL,SEAL LOK			
88477	1JC88-20-20	HOSE END,FEMALE SWIVEL,SEAL LOK			
88478	811-20	HOSE,11/4 INCH ID			
88936	20-16 F5OLO-S	CONNECTOR,STRAIGHT THREAD TO ORFS			
88937	20-16 FLO-S	CONNECTOR,MALE PIPE TO ORFS			
88938	1JC88-16-16	HOSE END,FEMALE SWIVEL,SEAL LOK			
88939	1J988-16-16	HOSE END,90° FEMALE SWIVEL,ORFS			
88940	811-16	HOSE,1 INCH ID			
88944	1J988-20-20	HOSE END,90° FEMALE SWIVEL,ORFS			
89403	16 VLO-S	ELBOW,45°,MALE PIPE TO ORFS			

California Proposition 65

Warning

The exhaust from this product contains chemicals known to the State of California to cause cancer, birth defects or other reproductive harm.

Genie North America

Phone 425.881.1800
Toll Free USA and Canada
800.536.1800
Fax 425.883.3475

Genie Australia Pty Ltd.

Phone +61 7 3375 1660
Fax +61 7 3375 1002

Genie China

Phone +86 21 53852570
Fax +86 21 53852569

Genie Malaysia

Phone +65 98 480 775
Fax +65 67 533 544

Genie Japan

Phone +81 3 3453 6082
Fax +81 3 3453 6083

Genie Korea

Phone +82 25 587 267
Fax +82 25 583 910

Genie Brasil

Phone +55 11 41 665 755
Fax +55 11 41 665 754

Genie Holland

Phone +31 183 581 102
Fax +31 183 581 566

Genie Scandinavia

Phone +46 31 575100
Fax +46 31 579020

Genie France

Phone +33 (0)2 37 26 09 99
Fax +33 (0)2 37 26 09 98

Genie Iberica

Phone +34 93 579 5042
Fax +34 93 579 5059

Genie Germany

Phone +49 (0)4202 88520
Fax +49 (0)4202 8852-20

Genie U.K.

Phone +44 (0)1476 584333
Fax +44 (0)1476 584334

Genie Mexico City

Phone +52 55 5666 5242
Fax +52 55 5666 3241

Distributed By:

Parts Manual

GS-2032, GS-2632, GS-3232

GS-2046, GS-2646, GS-3246

from SN GS3211A-110000

from SN GS3212C-10000

from SN GS4611A-110000

from SN GS4612C-10000

Part No.
236418

Rev B2

Genie
A TEREX BRAND