



Illustrated Parts Manual

Models **600S** **600SJ** **660SJ**

SN 0300087000
to SN 0300171769
SN B300000100
to SN B300000869

P/N
3121207

February 28, 2014

ANSI

CE



An Oshkosh Corporation Company

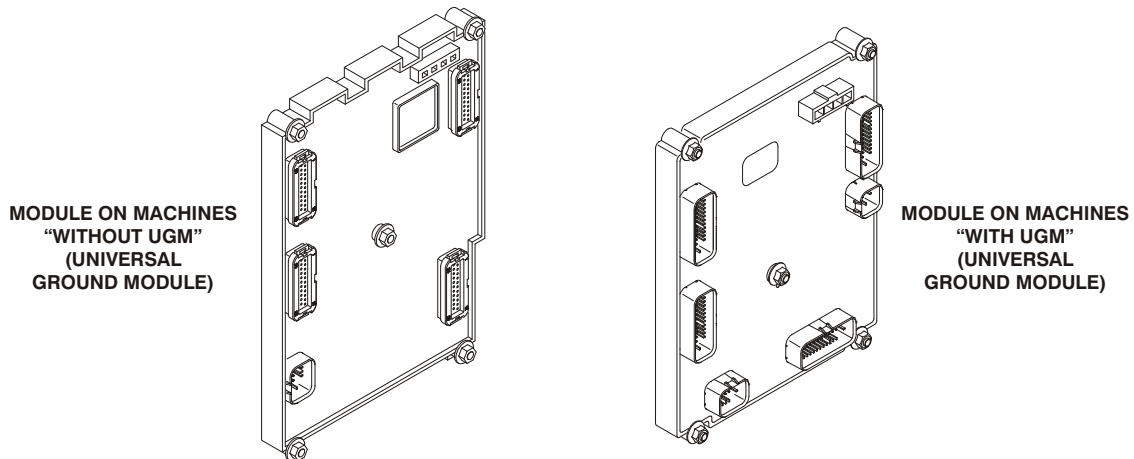
REVISION LOG

NOTES:

LOCATION OF MANUFACTURE

The 600S & 600SJ Boom Lifts are manufactured by JLG Industries in the following countries: USA and China. Refer to the Serial Number Tag to identify the country of manufacture. The country of manufacture may be determined by the Serial Number. Machines manufactured in the USA will have a serial number prefix of 03 (i.e. 03XXXXXXXX). Machines manufactured in the China will have a serial number prefix of B3 (i.e. B3XXXXXXXX).

GROUND MODULE MODULE IDENTIFICATION



NOTE: USA Built Machines with S/Ns 0300170082 & 0300170091 are also built to the same specs as USA Built Machines S/N 0300171769 to Present - Use Parts Manual P/N 3121299.

MANUAL REVISION LOG:

June 10, 2005 - Original Issue Of Manual (Edited to 0010603 Revision 35)
December 9, 2005 - Revised (Edited to 0010603 Revision 45)
May 18, 2006 - Revised (Edited to 0010603 Revision 49)
August 10, 2006 - Revised (Edited to 0010603 Revision 52)
January 12, 2007 - Revised (Edited to 0010603 Revision 55)
May 15, 2007 - Revised (Edited to 0010603 Revision 57)
September 19, 2007 - Revised (Edited to 0010603 Revision 67)
January 15, 2008 - Revised (Edited to 0010603 Revision 69)
June 15, 2008 - Revised (Edited to 0010603 Revision 69)
December 1, 2008 - Revised (Edited to 0010603 Revision 69)
April 15, 2009 - Revised (Edited to 0010603 Revision 72)
October 15, 2009 - Revised (Edited to 0010603 Revision 94)
May 24, 2010 - Revised (Edited to 0010603 Revision 103)
September 1, 2010 - Revised (Manual edited to 0010603 Revision 106 & 0010721 Revision 3)
March 15, 2011 - Revised (Manual edited to 0010603 Revision 110 & 0010721 Revision 5)
June 10, 2011 - Revised (Manual edited to 0010603 Revision 111 & 0010721 Revision 5)

REVISION LOG

September 14, 2011 - Revised (Manual edited to 0010603 Revision 112 & 0010721 Revision 6)

January 6, 2012 - Revised (Manual edited to 0010603 Revision B & 0010721 Revision B)

April 20, 2012 - Revised (Manual edited to 0010603 Revision D & 0010721 Revision C)

July 27, 2012 - Revised (Manual edited to 0010603 Revision D & 0010721 Revision D)

November 8, 2012 - Revised (Manual edited to 0010603 Revision D & 0010721 Revision D)

March 15, 2013 - Revised (Manual edited to 0010603 Revision D & 0010721 Revision K)

April 25, 2013 - Revised (Manual edited to 0010603 Revision D & 0010721 Revision K)

June 14, 2013 - Revised (Manual edited to 0010603 Revision D & 0010721 Revision M)

September 30, 2013 - Revised (Manual edited to 0010603 Revision W & 0010721 Revision M)

February 28, 2014 - Revised (Manual edited to 0010603 Revision W & 0010721 Revision M)

TABLE OF CONTENTS

FIGURE NO.	TITLE	PAGE NO.
SECTION 1 - FRAME1-1		
1-1	2WD FRONT AXLE & STEERING INSTALLATION.....	1-2
1-2	4WD FRONT AXLE & STEERING INSTALLATION.....	1-6
1-3	4WS REAR STEERING INSTALLATION.....	1-10
1-4	TIRE & WHEEL DRIVE INSTALLATIONS.....	1-12
1-5	DRIVE HUB ASSEMBLY.....	1-16
1-6	DRIVE MOTOR ASSEMBLY (USA BUILT MACHINES SN 0300087000 TO SN 0300098765).....	1-20
1-7	DRIVE MOTOR ASSEMBLY (USA BUILT MACHINES SN 0300098765 TO SN 0300171769 & CHINA BUILT MACHINES SN B300000100 TO PRESENT) ..	1-24
1-8	DRIVE VALVES & SHIELDS INSTALLATION (FRAME MOUNTED).....	1-28
1-9	TOW PACKAGE INSTALLATION (OPTIONAL).....	1-32
SECTION 2 - TURNTABLE.....2-1		
2-1	CONTROL VALVES INSTALLATIONS.....	2-2
2-2	MAIN CONTROL VALVE ASSEMBLY.....	2-6
2-3	ACCESSORY VALVE ASSEMBLY.....	2-10
2-4	SWING DRIVE, TURNTABLE BEARING & LOCK INSTALLATIONS.....	2-12
2-5	SWING HUB ASSEMBLY (USA BUILT MACHINES SN 0300087000 TO SN 0300137441).....	2-16
2-6	SWING MOTOR ASSEMBLY (WHITE ROLLER STATOR) (USA BUILT MACHINES SN 0300087000 TO SN 0300137441) (ORIGINAL EQUIPMENT) ...	2-18
2-7	SWING MOTOR ASSEMBLY (PARKER) (USA BUILT MACHINES SN 0300087000 TO SN 0300137441) (SERVICE REPLACEMENT).....	2-20
2-8	SWING MOTOR/BRAKE/HUB ASSEMBLY (USA BUILT MACHINES SN 0300137441 TO SN 0300171769 & CHINA BUILT MACHINES SN B300000100 TO PRESENT).....	2-22
2-9	CATERPILLAR ENGINE INSTALLATION (USA BUILT MACHINES SN 0300087000 TO SN 0300140223).....	2-26
2-10	CATERPILLAR ENGINE INSTALLATION (USA BUILT MACHINES SN 0300140223 TO SN 0300171769 & CHINA BUILT MACHINES SN B300000100 TO PRESENT).....	2-36
2-11	DEUTZ ENGINE INSTALLATION.....	2-44
2-12	FORD ENGINE INSTALLATION.....	2-56
2-13	GM ENGINE INSTALLATION (WITHOUT UGM).....	2-64
2-14	GM ENGINE INSTALLATION (WITH UGM).....	2-70
2-15	PISTON PUMP ASSEMBLY.....	2-76
2-16	GEAR PUMP ASSEMBLY.....	2-82
2-17	TANK INSTALLATIONS.....	2-84
2-18	ROTARY COUPLING INSTALLATION.....	2-88
2-19	GROUND CONTROL BOX ASSEMBLY (WITHOUT UGM).....	2-92
2-20	GROUND CONTROL BOX ASSEMBLY (WITH UGM).....	2-96
2-21	ELECTRICAL OPTIONS INSTALLATION (TURNTABLE MOUNTED).....	2-100
2-22	ENGINE TRAY JACK INSTALLATION (OPTIONAL).....	2-106
2-23	HOODS (ABS) & LIFTING PLATE INSTALLATIONS (USA BUILT MACHINES SN 0300087000 TO SN 0300089988).....	2-108
2-24	HOODS (ABS) & LIFTING PLATE INSTALLATIONS (USA BUILT MACHINES SN 0300089988 TO SN 0300171769).....	2-112
2-25	HOODS (STEEL) & LIFTING PLATE INSTALLATIONS.....	2-118
2-26	2500W GENERATOR INSTALLATION - CATERPILLAR MACHINES (OPTIONAL) ..	2-124
2-27	2500W GENERATOR INSTALLATION - DEUTZ MACHINES (OPTIONAL).....	2-128

TABLE OF CONTENTS

FIGURE NO.	TITLE	PAGE NO.
2-28	2500W GENERATOR INSTALLATION - FORD MACHINES (OPTIONAL)	2-134
2-29	2500W GENERATOR INSTALLATION - GM MACHINES (OPTIONAL)	2-138
2-30	7500W SKYPOWER GENERATOR INSTALLATION - CATERPILLAR & DEUTZ ENGINES	2-142
2-31	7500W SKYPOWER GENERATOR INSTALLATION - FORD ENGINES.	2-150
2-32	7500W SKYPOWER GENERATOR INSTALLATION - GM ENGINES	2-154
SECTION 3 - BOOM.		3-1
3-1	BOOM INSTALLATION - 600S	3-2
3-2	BOOM INSTALLATION - 600SJ & 660SJ	3-6
3-3	MAIN BOOM ASSEMBLIES	3-12
3-4	ROTATOR ASSEMBLIES	3-18
3-5	POWER TRACK INSTALLATIONS.	3-20
SECTION 4 - PLATFORM.		4-1
4-1	PLATFORM COMPONENTS INSTALLATION	4-2
4-2	PLATFORM COMPONENTS INSTALLATION (FALL ARREST PLATFORM)	4-8
4-3	PLATFORM CONSOLE ASSEMBLY (USA BUILT MACHINES SN 0300087000 TO SN 0300138729)	4-10
4-4	PLATFORM CONSOLE ASSEMBLY (USA BUILT MACHINES SN 0300138729 TO SN 0300171769 & CHINA BUILT MACHINES SN B300000100 TO PRESENT)	4-16
4-5	CONTROLLER ASSEMBLY (LIFT AND SWING)	4-22
4-6	CONTROLLER ASSEMBLY (DRIVE AND STEER)	4-26
4-7	SOFT TOUCH SYSTEM INSTALLATION (OPTIONAL)	4-30
4-8	PLATFORM BUMPER PADDING INSTALLATIONS (OPTIONAL).	4-34
SECTION 5 - CYLINDER.		5-1
5-1	AXLE LOCKOUT CYLINDER ASSEMBLY	5-2
5-2	PLATFORM LEVEL SLAVE CYLINDER ASSEMBLY.	5-4
5-3	MAIN LIFT CYLINDER ASSEMBLY	5-8
5-4	JIB LIFT CYLINDER ASSEMBLY - 600SJ & 660SJ	5-10
5-5	MASTER CYLINDER ASSEMBLIES.	5-12
5-6	STEER CYLINDER ASSEMBLY (USA BUILT MACHINES SN 0300087000 TO SN 0300142635)	5-16
5-7	STEER CYLINDER ASSEMBLY (USA BUILT MACHINES SN 0300142635 TO SN 0300171769 & CHINA BUILT MACHINES SN B300000100 TO PRESENT)	5-18
5-8	TELESCOPE CYLINDER ASSEMBLIES	5-20
SECTION 6 - HYDRAULIC		6-1
6-1	HYDRAULIC DIAGRAM - DRIVE & STEER (2WD/2WS)	6-2
6-2	HYDRAULIC DIAGRAM - DRIVE & STEER (4WD/2WS)	6-4
6-3	HYDRAULIC DIAGRAM - OSCILLATING AXLE.	6-8
6-4	HYDRAULIC DIAGRAM - STANDARD	6-10
6-5	HYDRAULIC DIAGRAM LIST	6-16

TABLE OF CONTENTS

FIGURE NO.	TITLE	PAGE NO.
SECTION 7 - ELECTRICAL		7-1
7-1	ELECTRICAL DIAGRAM LIST	7-2
7-2	HARNESS COMPONENTS INSTALLATION (WITHOUT UGM)	7-4
7-3	HARNESS COMPONENTS INSTALLATION (WITH UGM)	7-24
7-4	AC CABLES INSTALLATION (CE GERMAN & CE UK SPECS)	7-42
SECTION 8 - DECALS		8-1
8-1	DECAL INSTALLATION (ANSI SPEC) (USA BUILT MACHINES SN 0300087000 TO SN 0300087912)	8-2
8-2	DECAL INSTALLATION (ANSI SPEC) (USA BUILT MACHINES SN 0300087912 TO SN 0300171769 & CHINA BUILT MACHINES SN B300000100 TO PRESENT)	8-6
8-3	DECAL INSTALLATION (COUNTRY SPEC) (USA BUILT MACHINES SN 0300087000 TO SN 0300087912)	8-10
8-4	DECAL INSTALLATION (COUNTRY SPEC) (USA BUILT MACHINES SN 0300087912 TO SN 0300171769 & CHINA BUILT MACHINES SN B300000100 TO PRESENT)	8-16
8-5	DECAL INSTALLATION (AUSTRALIAN & CE SPEC) (USA BUILT MACHINES SN 0300087000 TO SN 0300087912)	8-24
8-6	DECAL INSTALLATION (AUSTRALIAN & CE SPEC) (USA BUILT MACHINES SN 0300087912 TO SN 0300171769 & CHINA BUILT MACHINES SN B300000100 TO PRESENT)	8-28
SECTION 9 - RECOMMENDED SERVICE PARTS STOCK		9-1
SECTION 10 - SPECIAL OPTIONS		10-1
SECTION 11 - PARTS NUMBER INDEX		11-1

TABLE OF CONTENTS

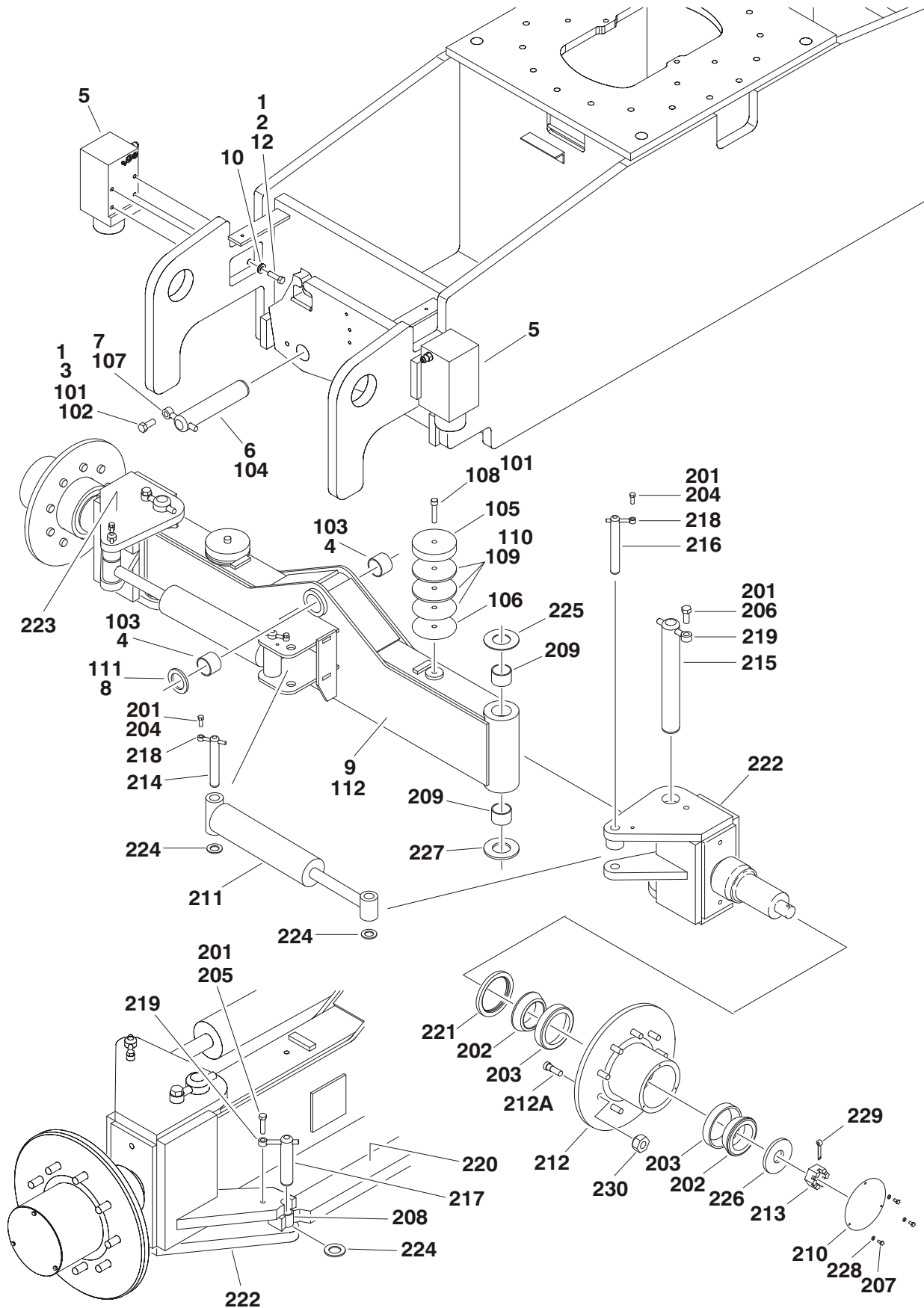
FIGURE NO.	TITLE	PAGE NO.
------------	-------	----------

SECTION 1

FRAME

SECTION 1 FRAME

FIGURE 1-1. 2WD FRONT AXLE & STEERING INSTALLATION



SECTION 1 FRAME

FIGURE 1-1. 2WD FRONT AXLE & STEERING INSTALLATION

ITEM #	PART NUMBER	QTY.	DESCRIPTION	REV.
		Ref	Note: 2WD Only Available on USA Built Machines.	
		Ref	AXLE INSTALLATIONS - OSCILLATING	
	0273081	Ref	Without Tow Package	F
	0273379	Ref	With Tow Package	D
1	0100011	AR	Compound, Locking	
2	0641814	8	Bolt 1/2in-13NC x 1-3/4in	
3	0642012	1	Bolt 5/8in-11NC x 1-1/2in	
4	0961950	2	Bearing	
5		2	Lockout Cylinder Assembly Options (See CYLINDER SECTION for Breakdown):	
	1684280		SN 0300087000 to SN 0300089729	
	1684465		SN 0300089729 to SN 0300171769	
6	3422592	1	Pin, Pivot	
7	3841258	1	Keeper, Pin	
8	4740158	1	Thrustwasher	
9		1	Axle Weldment Options:	
	4846814		Without Tow Package	
	4846934		With Tow Package	
10	4891800	8	Flatwasher 1/2in Hardened	
11	Not Used			
12	0100038	AR	Primer, Locking	
	0273226	Ref	AXLE INSTALLATIONS - FIXED	B
101	0100011	AR	Compound, Locking	
102	0642012	1	Bolt 5/8in-11NC x 1-1/2in	
103	0961950	2	Bearing	
104	3422592	1	Pin, Pivot	
105	3539877	2	Plate, Stop	
106	3539878	2	Plate, Stop	
107	3841258	1	Keeper, Pin	
108	3931840	2	Screw 1/2in-13NC x 2-1/2in	
109	4070944	4	Shim (.06)	
110	4070945	4	Shim (.25)	
111	4740158	1	Thrustwasher	
112		1	Axle Weldment Options:	
	4846814		Without Tow Package Options:	
			SN 0300087000 to SN 0300166419	
	1001105321		SN 0300166419 to SN 0300171769	
	See Note		With Tow Package (Note: Not Available for Purchase.)	
		Ref	STEERING INSTALLATIONS	
	0273150	Ref	Without Tow Package	C
	0273422	Ref	With Tow Package	B
201	0100011	AR	Compound, Locking	
202	0440170	4	Cone, Bearing	

SECTION 1 FRAME

FIGURE 1-1. 2WD FRONT AXLE & STEERING INSTALLATION (CONTINUED)

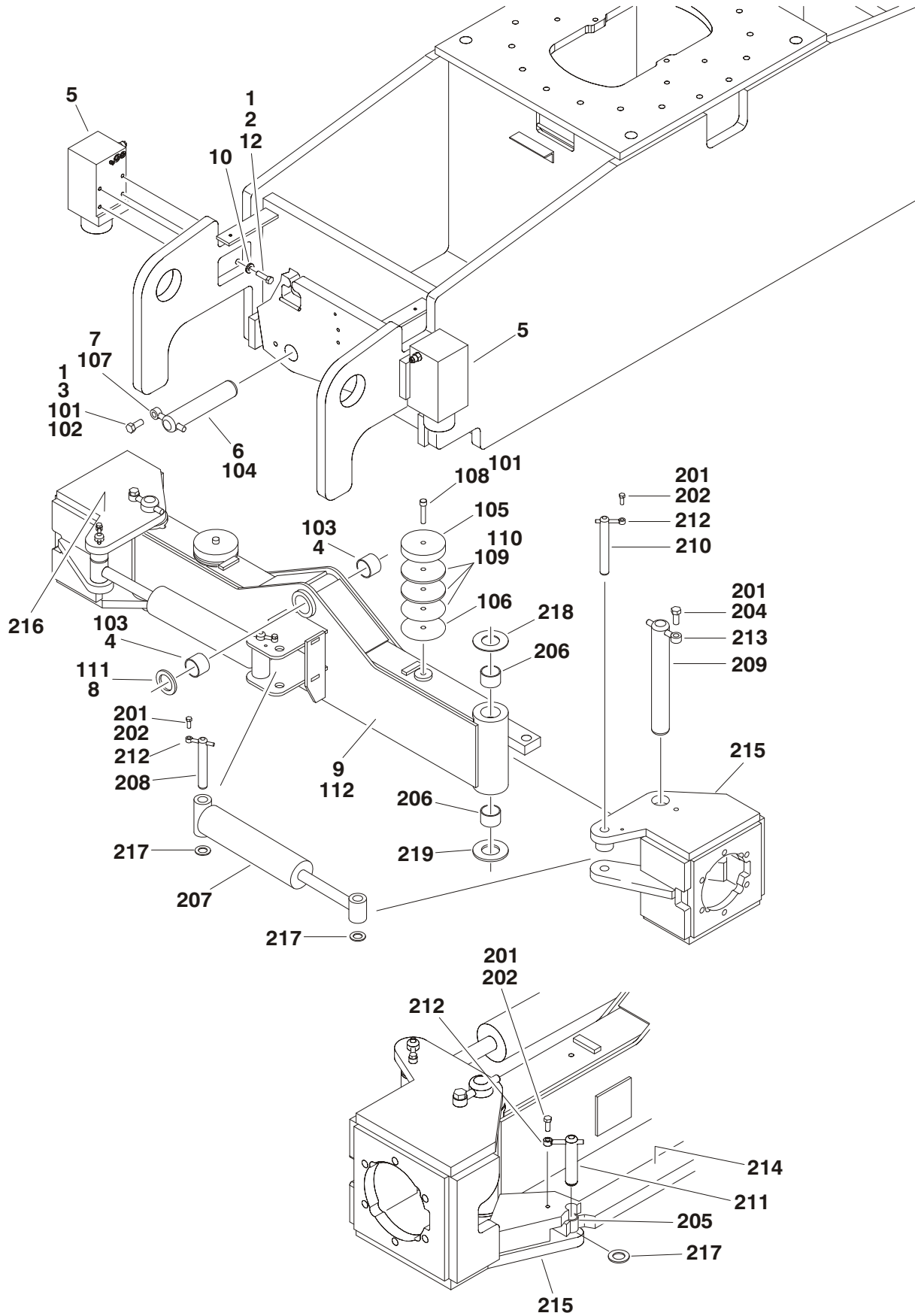
ITEM #	PART NUMBER	QTY.	DESCRIPTION	REV.
203	0440171	4	Cup, Bearing	
204	0641608	4	Bolt 3/8in-16NC x 1in	
205	0641612	2	Bolt 3/8in-16NC x 1-1/2in	
206	0642012	2	Bolt 5/8in-11NC x 1-1/2in	
207	0721003	6	Bolt #10-24NC x 3/8in	
208	0961977	2	Bushing	
209	0962131	4	Bearing	
210	1120304	2	Cap, Hub	
211		2	Steer Cylinder Assembly Options (See CYLINDER SECTION for Breakdown):	
	1683208		SN 0300087000 to SN 0300142635	
	1001097242		SN 0300142635 to SN 0300171769	
212	2780271	2	Hub	
212A	0630490	18	Stud, Wheel (9 Per Hub)	
213	3323403	2	Nut, Slotted 1-1/2in -12NF	
214	3422326	2	Pin, Steer Cylinder	
215	3422900	2	Kingpin	
216		AR	Pin, Steer Cylinder Options:	
	3422902	2	Machines Without Tow Package	
	3422902	1	Machines With Tow Package (Left Side without Tow Link)	
	3422567	1	Machines With Tow Package (Right Side with Tow Link)	
217	3422903	2	Pin, Tie-Rod	
218	3841143	6	Shaft, Keeper	
219	3841258	2	Shaft, Keeper	
220	3841510	1	Tie-Rod	
221	3960343	2	Seal, Grease	
222	4130396	1	Spindle - Left Side	
223		1	Spindle - Right Side Options:	
	4130397	2	Machines Without Tow Package	
	4130400	1	Machines With Tow Package	
224	4740111	6	Thrustwasher	
225	4740256	2	Thrustwasher	
226	4740283	2	Flatwasher, Hardened	
227	4740263	2	Thrustwasher	
228	4761000	6	Lockwasher #10	
229	3451010	2	Pin, Cotter 5/8in x 2-1/2in	
230	3300106	18	Lugnut (9 per Wheel)	

FIGURE 1-1. 2WD FRONT AXLE & STEERING INSTALLATION (CONTINUED)

ITEM #	PART NUMBER	QTY.	DESCRIPTION	REV.

SECTION 1 FRAME

FIGURE 1-2. 4WD FRONT AXLE & STEERING INSTALLATION



SECTION 1 FRAME

FIGURE 1-2. 4WD FRONT AXLE & STEERING INSTALLATION

ITEM #	PART NUMBER	QTY.	DESCRIPTION	REV.
		Ref	AXLE INSTALLATIONS - OSCILLATING	
	0273081	Ref	USA Built Machines without Tow Package	F
	1001113644	Ref	China Built Machines without Tow Package	B
	0273379	Ref	All Machines with Tow Package	D
1	0100011	AR	Compound, Locking	
2	0641814	8	Bolt 1/2in-13NC x 1-3/4in	
3	0642012	1	Bolt 5/8in-11NC x 1-1/2in	
4	0961950	2	Bearing	
5		2	Lockout Cylinder Assembly Options (See CYLINDER SECTION for Breakdown):	
	1684280		USA Built Machines SN 0300087000 to SN 0300089729	
	1684465		USA Built Machines SN 0300089729 to SN 0300171769	
	1684465		China Built Machines SN B300000100 to Present	
6	3422592	1	Pin, Pivot	
7	3841258	1	Keeper, Pin	
8	4740158	1	Thrustwasher	
9		1	Axle Weldment Options:	
	4846814		USA Built Machines without Tow Package	
	1001113597		China Built Machines without Tow Package	
	4846934		All Machines with Tow Package	
10	4891800	8	Flatwasher 1/2in Hardened	
11	Not Used			
12	0100038	AR	Primer, Locking	
	0273226	Ref	AXLE INSTALLATIONS - FIXED	A
		Ref	Note: Only Available on USA Built Machines.	
101	0100011	AR	Compound, Locking	
102	0642012	1	Bolt 5/8in-11NC x 1-1/2in	
103	0961950	2	Bearing	
104	3422592	1	Pin, Pivot	
105	3539877	2	Plate, Stop	
106	3539878	2	Plate, Stop	
107	3841258	1	Keeper, Pin	
108	3931840	2	Screw 1/2in-13NC x 2-1/2in	
109	4070944	4	Shim (.06)	
110	4070945	4	Shim (.25)	
111	4740158	1	Thrustwasher	
112		1	Axle Weldment Options:	
	4846814		Without Tow Package	
	See Note		With Tow Package (Note: Not Available for Purchase.)	

SECTION 1 FRAME

FIGURE 1-2. 4WD FRONT AXLE & STEERING INSTALLATION (CONTINUED)

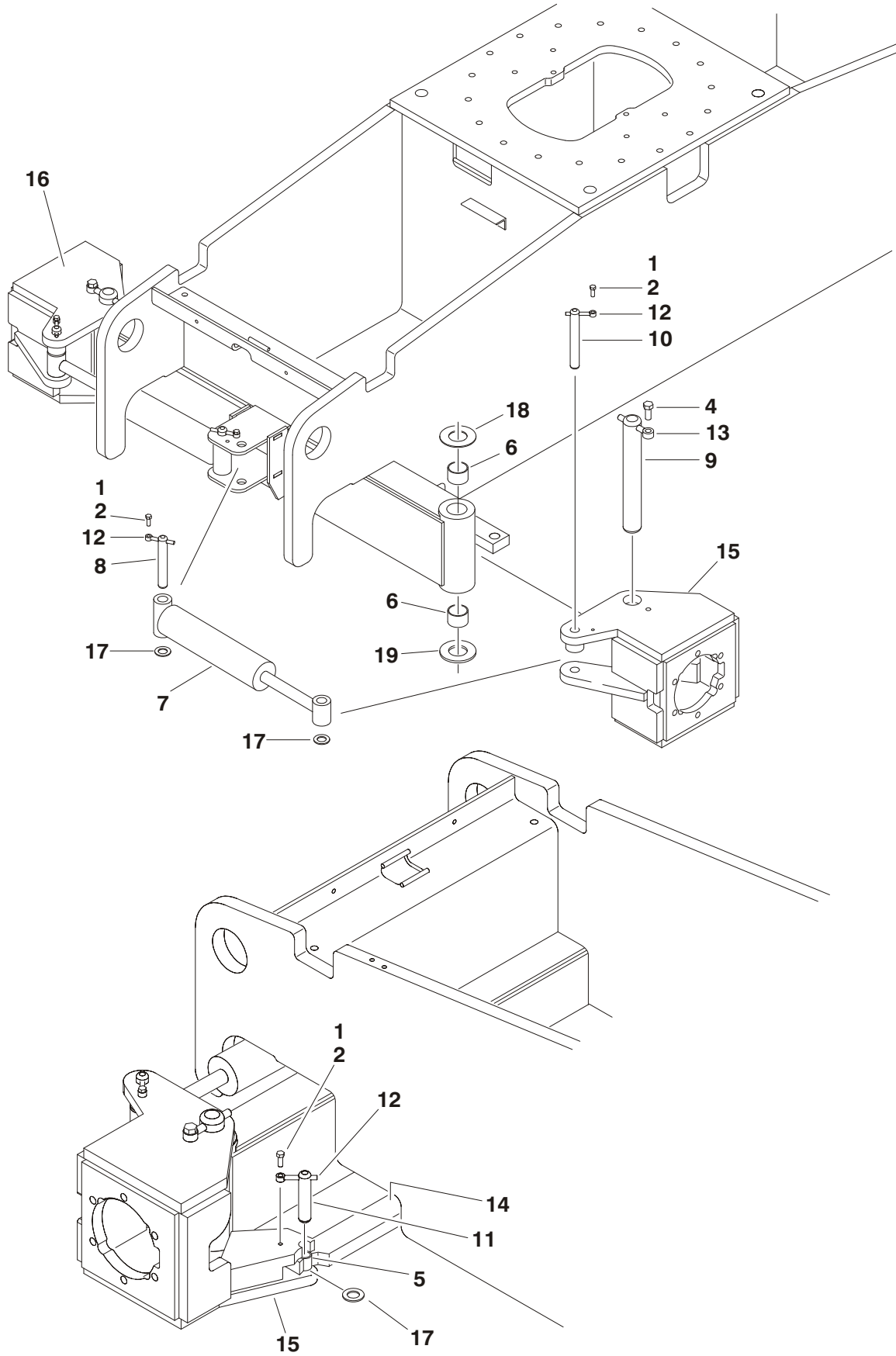
ITEM #	PART NUMBER	QTY.	DESCRIPTION	REV.
		Ref	STEERING INSTALLATIONS	
	0273080	Ref	4WD & 2WS - USA Built Machines without Tow Package	G
	1001113653	Ref	4WD & 2WS - China Built Machines without Tow Package	D
	0273394	Ref	4WD & 2WS - All Machines with Tow Package	D
	0273357	Ref	4WD & 4WS - USA Machines without Tow Package	1
	1001121639	Ref	4WD & 4WS - China Built Machines without Tow Package	B
	0275230	Ref	4WD & 4WS - USA Built Machines with Tow Package	1
201	0100011	AR	Compound, Locking	
202	0641608	6	Bolt 3/8in-16NC x 1in	
203	Not Used			
204	0642012	2	Bolt 5/8in-11NC x 1-1/2in	
205	0961977	2	Bushing	
206	0962131	4	Bearing	
207		2	Steer Cylinder Assembly Options (See CYLINDER SECTION for Breakdown):	
	1683208		USA Built Machines SN 0300087000 to SN 0300142635	
	1001097242		USA Built Machines SN 0300142635 to SN 0300171769	
	1001097242		China Built Machines SN B300000100 to Present	
208	3422326	2	Pin, Steer Cylinder	
209	3422900	2	Kingpin	
210		AR	Pin, Steer Cylinder Options:	
	3422902	2	Machines Without Tow Package	
	3422902	1	Machines With Tow Package (Left Side without Tow Link)	
	3422567	1	Machines With Tow Package (Right Side with Tow Link)	
211	3422903	2	Pin, Tie-Rod	
212	3841143	6	Shaft, Keeper	
213	3841258	2	Shaft, Keeper	
214		1	Tie-Rod Options:	
	3841510		USA Built Machines	
	1001113674		China Built Machines	
215		1	Spindle - Left Side Options:	
	Use 1001099387		USA Built Machines	
	1001099387		SN 0300087000 to SN 0300163151 (was p/n4130394)	
			SN 0300163151 to SN 0300171769	
	Use 1001133061		China Built Machines	
			SN 0300087000 to SN B300000724 (was p/n1001113560)	
	1001133061		SN B300000724 to Present	
216		1	Spindle - Right Side Options:	
	Use 1001099196		USA Built Machines without Tow Package	
	1001099196		SN B300000100 to SN 0300163151 (was p/n4130395)	
			SN 0300163151 to SN 0300171769	
	Use 1001133057		China Built Machines without Tow Package	
			SN B300000100 to SN B300000724 (was p/n1001113575)	
	1001133057		SN B300000724 to Present	
	4130399		All Machines with Tow Package	
217	4740111	6	Thrustwasher	
218	4740256	2	Thrustwasher	

FIGURE 1-2. 4WD FRONT AXLE & STEERING INSTALLATION (CONTINUED)

ITEM #	PART NUMBER	QTY.	DESCRIPTION	REV.
219	4740463	2	Thrustwasher	

SECTION 1 FRAME

FIGURE 1-3. 4WS REAR STEERING INSTALLATION



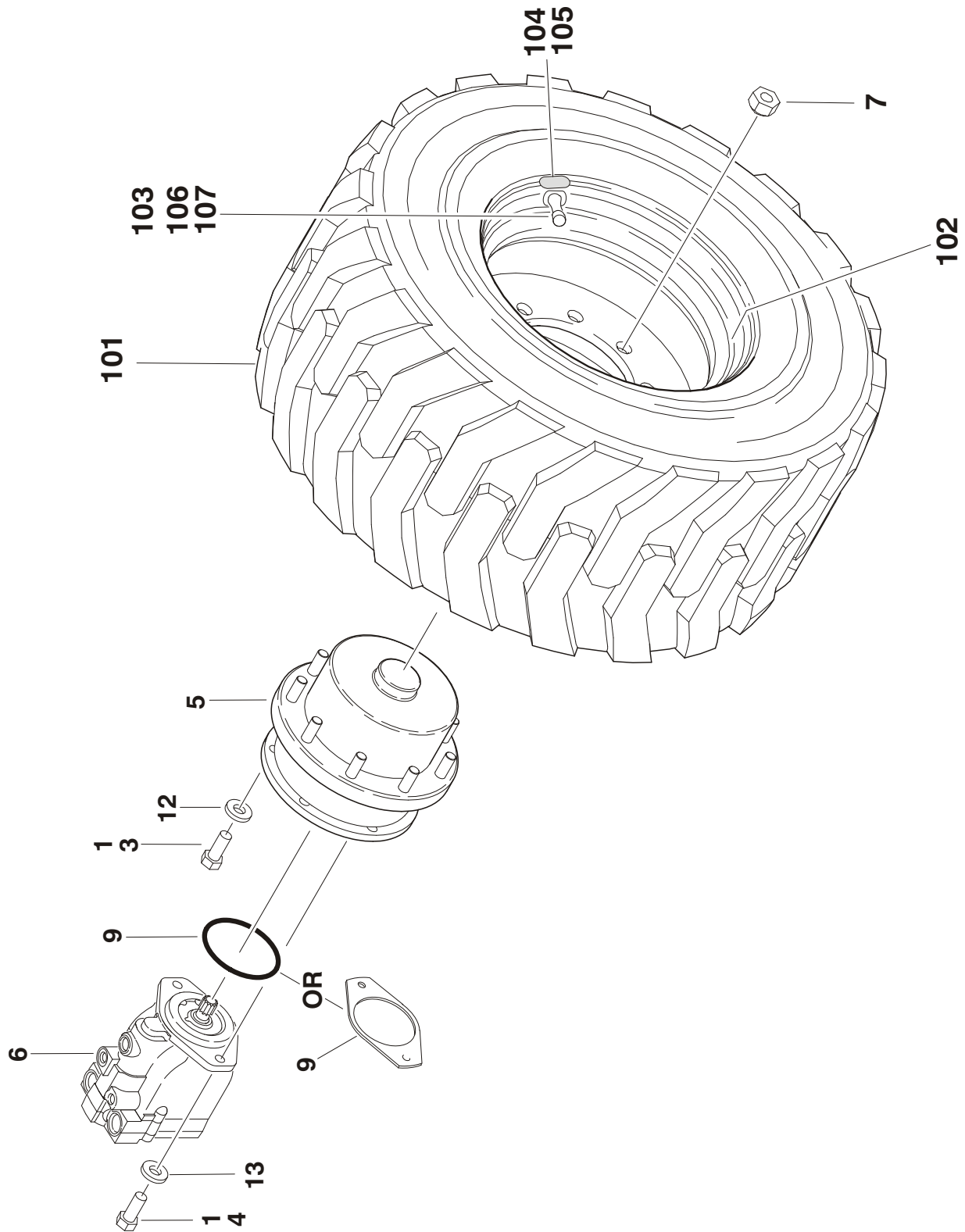
SECTION 1 FRAME

FIGURE 1-3. 4WS REAR STEERING INSTALLATION

ITEM #	PART NUMBER	QTY.	DESCRIPTION	REV.
		Ref	4WS REAR STEERING INSTALLATIONS	
	0273356	Ref	2WD & 4WS Installation - 2WD Machines	1
	0273357	Ref	4WD & 4WS - USA Machines without Tow Package	1
	1001121639	Ref	4WD & 4WS - China Built Machines without Tow Package	B
	0275230	Ref	4WD & 4WS - USA Built Machines with Tow Package	1
		Ref	STEERING INSTALLATION	
	0273080	Ref	USA Built Machines	G
	1001121639	Ref	China Built Machines	B
1	0100011	AR	Compound, Locking	
2	0641608	6	Bolt 3/8in-16NC x 1in	
3	Not Used			
4	0642012	2	Bolt 5/8in-11NC x 1-1/2in	
5	0961977	2	Bushing	
6	0962131	4	Bearing	
7		2	Steer Cylinder Assembly Options (See CYLINDER SECTION for Breakdown):	
	1683208		USA Built Machines SN 0300087000 to SN 0300142635	
	1001097242		USA Built Machines SN 0300142635 to SN 0300171769	
	1001097242		China Built Machines SN B300000100 to Present	
8	3422326	2	Pin, Steer Cylinder	
9	3422900	2	Kingpin	
10	3422902	2	Pin, Steer Cylinder	
11	3422903	2	Pin, Tie-Rod	
12	3841143	6	Shaft, Keeper	
13	3841258	2	Shaft, Keeper	
14	3841510	1	Tie-Rod	
15		1	Spindle - Left Side Options:	
			USA Built Machines	
	Use 1001099387		SN 0300087000 to SN 0300163151 (was p/n4130394)	
	1001099387		SN 0300163151 to SN 0300171769	
			China Built Machines	
	Use 1001133061		SN 0300087000 to SN B300000668 (was p/n1001113560)	
	1001133061		SN B300000668 to Present	
16		1	Spindle - Right Side Options:	
			USA Built Machines without Tow Package	
	Use 1001099196		SN B300000100 to SN 0300163151 (was p/n4130395)	
	1001099196		SN 0300163151 to SN 0300171769	
			China Built Machines without Tow Package	
	Use 1001133057		SN B300000100 to SN B300000688 (was p/n1001113575)	
	1001133057		SN B300000724 to Present	
17	4740111	6	Thrustwasher	
18	4740256	2	Thrustwasher	
19	4740463	2	Thrustwasher	

SECTION 1 FRAME

FIGURE 1-4. TIRE & WHEEL DRIVE INSTALLATIONS



SECTION 1 FRAME

FIGURE 1-4. TIRE & WHEEL DRIVE INSTALLATIONS

ITEM #	PART NUMBER	QTY.	DESCRIPTION	REV.
		Ref	WHEEL DRIVE INSTALLATIONS	
	0273049	Ref	2WD/2WS	I
	0273367	Ref	2WD/4WS	A
	0273048	Ref	4WD/2WS	J
	0273366	Ref	4WD/4WS	H
		Ref	Note: 2WD Qty Shown. For 4WD, Double Qty Shown.	
1	0100011	AR	Compound, Locking	
2	Not Used			
3	0681810	4	Bolt 1/2in-13NC x 1-1/4in (Grade 8)	
4	0682016	12	Bolt 5/8in-11NC x 2in (Grade 8)	
5	2780269	2	Drive Hub Assembly (See DRIVE HUB ASSEMBLY for Breakdown)	
6		2	Drive Motor Assembly Options: USA Built Machines SN 0300087000 to SN 0300098765 (See DRIVE MOTOR ASSEMBLY for Breakdown): 2WD (was p/n 3160299) 4WD (was p/n 3160300) USA Built Machines SN 0300098765 to SN 0300171769 & China Built Machines SN B300000100 to Present (See DRIVE MOTOR ASSEMBLY for Breakdown): 2WD 4WD	
	Use 3160349			
	Use 3160350			
	3160349		2WD	
	3160350		4WD	
7	3300106	18	Nut, Wheel	
8	Not Used			
9		1	Hardware Options: O-Ring (SN 0300087000 to SN 0300102229) Gasket (SN 0300102229 to SN 0300171769)	
	3790045			
	3960526			
10 to 11	Not Used			
12	4891800	4	Flatwasher 1/2in Hardened	
13	4740393	12	Flatwasher 5/8in Hardened	
		Ref	TIRE AND WHEEL INSTALLATIONS OPTIONS	
		Ref	USA Built Machines SN 0300087000 to SN 0300138402:	
	0273001	Ref	Pneumatic - OTR Tires (Available on All Specs except Australian & CE Specs)	1
	0273242	Ref	Pneumatic W/Sealant - OTR Tires (Available on ANSI & ANSI Export Specs Only)	1
	0274322	Ref	Pneumatic Turf/Sand - OTR Tires (Available on All Specs except Australian & CE Specs)	1
	0275860	Ref	Pneumatic Turf/Sand - Galaxy Tires (Available on ANSI & ANSI Export Specs Only)	1
	0273238	Ref	Foam-Filled - OTR Tires (Available on All Specs)	1
	0274152	Ref	Foam-Filled - OTR Tires (Non-Marking) (Available on All Specs)	1
		Ref	USA Built Machines SN 0300138402 to SN 0300171769:	
	1001101800	Ref	Pneumatic - OTR Tires (Available on All Specs except Australian & CE Specs)	C
	1001101802	Ref	Pneumatic W/Sealant - OTR Tires (Available on ANSI & ANSI Export Specs Only)	C

SECTION 1 FRAME

FIGURE 1-4. TIRE & WHEEL DRIVE INSTALLATIONS (CONTINUED)

ITEM #	PART NUMBER	QTY.	DESCRIPTION	REV.
	0274322	Ref	Pneumatic Turf/Sand - OTR Tires (Available on All Specs except Australian & CE Specs)	1
	0275860	Ref	Pneumatic Turf/Sand - Galaxy Tires (Available on ANSI & ANSI Export Specs Only)	1
	1001101801	Ref	Foam-Filled - OTR Tires (Available on All Specs)	C
	0274152	Ref	Foam-Filled - OTR Tires (Non-Marking) (Available on All Specs)	1
		Ref	China Built Machines SN B300000100 to Present:	
	1001101800	Ref	Pneumatic - OTR Tires (Available on All Specs except Australian & CE Specs)	C
	1001101801	Ref	Foam-Filled - OTR Tires (Available on All Specs)	C
		AR	Tire and Wheel Assembly Options:	
			USA Built Machines SN 0300087000 to SN 0300138402:	
	0272993	2	Pneumatic - OTR Tire (Right Side)	C
	0272992	2	Pneumatic - OTR Tire (Left Side)	C
	0273244	2	Pneumatic W/Sealant - OTR Tire (Right Side)	B
	0273243	2	Pneumatic W/Sealant - OTR Tire (Left Side)	B
	4520357	4	Pneumatic Turf/Sand - OTR Tire	B
	4520674	4	Pneumatic Turf/Sand - Galaxy Tire	A
	0273240	2	Foam-Filled - OTR Tire (Right Side)	B
	0273239	2	Foam-Filled - OTR Tire (Left Side)	B
	4520340	2	Foam-Filled - OTR Tire (Non-Marking) (Right Side)	B
	4520339	2	Foam-Filled - OTR Tire (Non-Marking) (Left Side)	B
			USA Built Machines SN 0300138402 to SN 0300171769	
	1001097358	2	Pneumatic - OTR Tire (Right Side)	C
	1001097357	2	Pneumatic - OTR Tire (Left Side)	C
	1001097388	2	Pneumatic W/Sealant - OTR Tire (Right Side)	C
	1001097387	2	Pneumatic W/Sealant - OTR Tire (Left Side)	C
	4520357	4	Pneumatic Turf/Sand - OTR Tire	B
	4520674	4	Pneumatic Turf/Sand - Galaxy Tire	A
	1001097374	2	Foam-Filled - OTR Tire (Right Side)	D
	1001097373	2	Foam-Filled - OTR Tire (Left Side)	D
	4520340	2	Foam-Filled - OTR Tire (Non-Marking) (Right Side)	B
	4520339	2	Foam-Filled - OTR Tire (Non-Marking) (Left Side)	B
			China Built Machines SN B300000100 to Present	
	1001097358	2	Pneumatic - OTR Tire (Right Side)	C
	1001097357	2	Pneumatic - OTR Tire (Left Side)	C
	1001097374	2	Foam-Filled - OTR Tire (Right Side)	D
	1001097373	2	Foam-Filled - OTR Tire (Left Side)	D
		Ref	Note: Assemblies may require ballast/foam filling to manufacturer's specifications prior to installing on a machine. Refer to Operation & Safety or Service & Maintenance Manuals. Purchase individual tire and/or rim only if able to foam fill tire & wheel assembly, otherwise, purchase complete assembly.	
101	4520258	4	Tire 15 x 19.5 (1 Per Assembly) (USA Built Machines SN 0300087000 to SN 0300138402)	
	1001097351	4	Tire 39 x 15-22.5 (1 Per Assembly) (USA Built Machines SN 0300138402 to SN 0300171769 & China Built Machines SN B300000100 to Present)	

SECTION 1 FRAME

FIGURE 1-4. TIRE & WHEEL DRIVE INSTALLATIONS (CONTINUED)

ITEM #	PART NUMBER	QTY.	DESCRIPTION	REV.
101 (cont'd)	4520356	4	Tire 18 x 625 - Turf/Sand (1 Per Assembly)	
	4520256	4	Tire 41/18LL x 22.5 - Turf/Sand (1 Per Assembly)	
102	4860243	4	Rim, Wheel (1 Per Assembly) (USA Built Machines SN 0300087000 to SN 0300138402)	
	1001097348	4	Rim, Wheel (1 Per Assembly) (USA Built Machines SN 0300138402 to SN 0300171769 & China Built Machines SN B300000100 to Present)	
	4520355	4	Rim, Wheel - Turf/Sand 24.5 x 15 (1 Per Assembly)	
	4520672	4	Rim, Wheel - Turf/Sand 22.5 x 14 (1 Per Assembly)	
103	4640113	4	Valve, Air (1 Per Assembly)	
104	1702701	4	Decal - 95 PSI	
	Use 1706846	4	Decal - 75 PSI (Turf/Sand Tires 18 x 625 Only) (was Decal - 60 PSI p/n 1702137)	
	1701643	4	Decal - 70 PSI (Turf/Sand Tires 41/18LL x 22.5 Only)	
105	1705364	AR	Decal - Tire Sealant (W/Sealant Only)	
106	1300019	AR	Chemical, Tire Sealant (Green) (W/Sealant Only)	
107	1120552	AR	Cap, Valve Stem (Green) (W/Sealant Only)	

SECTION 1 FRAME

FIGURE 1-5. DRIVE HUB ASSEMBLY

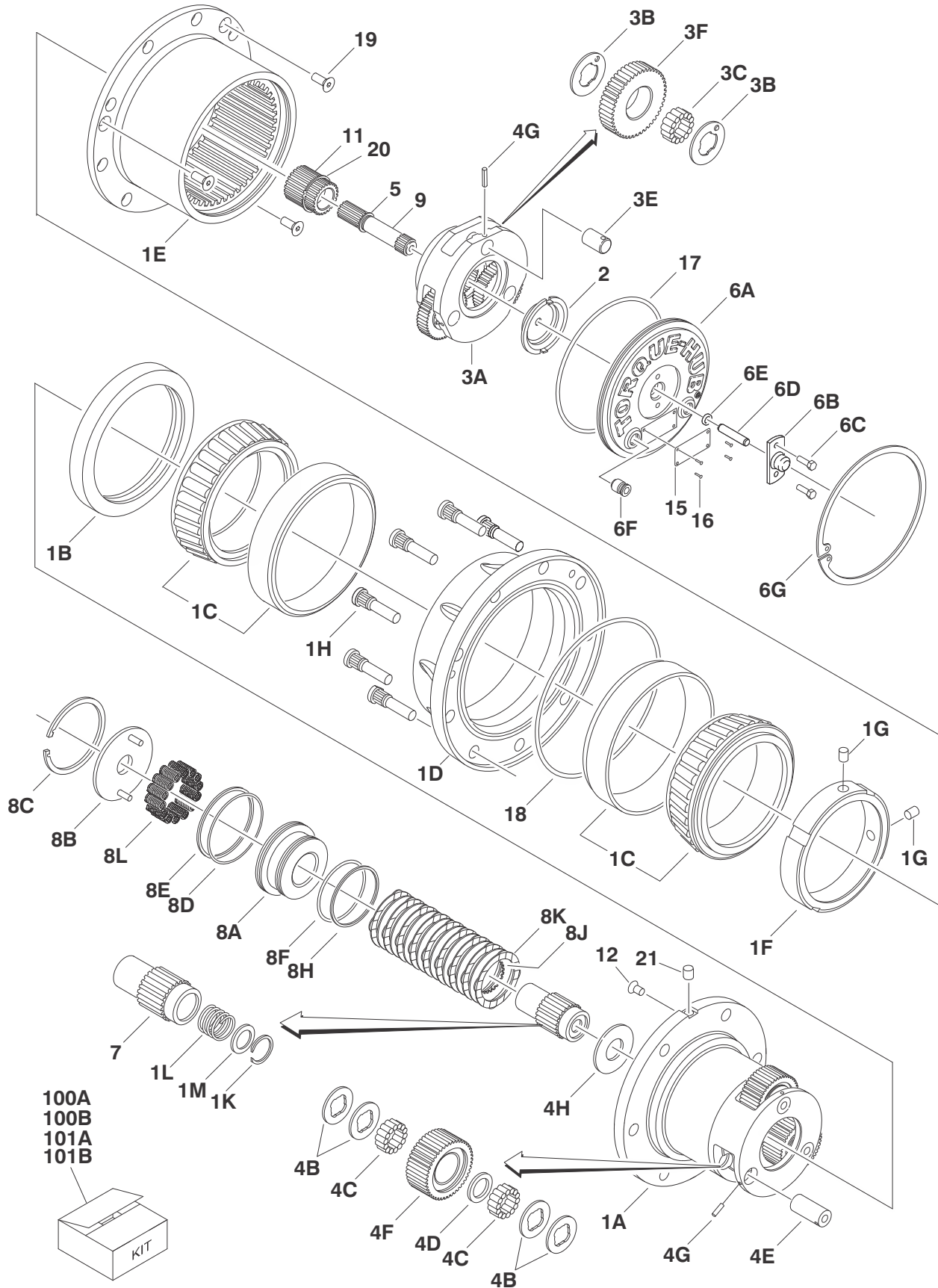


FIGURE 1-5. DRIVE HUB ASSEMBLY

ITEM #	PART NUMBER	QTY.	DESCRIPTION	REV.
	2780269	Ref	DRIVE HUB/BRAKE ASSEMBLY	C
1	See Note	1	Spindle/Housing Assembly (Note: Not Available - Purchase p/n 2780269 Complete Replacement. See 1A-1M for Available Components.)	
1A	7024729	1	Spindle	
1B	70001119	1	Seal	
1C	7024735	2	Bearing (Includes Cup and Cone)	
1D	Use 2780269	1	Housing (Note: Not Available for Purchase.)	
1E	7024730	1	Ring, Gear	
1F	Use 7024744	1	Nut, Bearing	
1G	See Note	2	Setscrew 1/4in-28NF x 1/2in (Note: Use Item 100A,100B,101A or 101B)	
1H	7024732	9	Stud, Wheel	
1J	Not Used			
1K	7024125	1	Ring, Retaining	
1L	7024124	1	Spring	
1M	7024129	1	Thrustwasher	
2	7024741	1	Thrustwasher	
3	See Note	1	Carrier Assembly (Note: Not Available for Purchase. See 3A-3F for Available Components.)	
3A	7024725	1	Carrier	
3B	7024127	6	Thrustwasher	
3C	7024733	42	Bearing, Needle	
3D	Not Used			
3E	7024724	3	Shaft, Planet	
3F	7024727	3	Gear, Planet	
4	See Note	1	Planet Gear Sub-Assembly (Note: Not Available for Purchase. See 4A-4H for Available Components.)	
4A	Not Used	1		
4B	7024740	12	Thrustwasher	
4C	7024734	84	Bearing, Needle	
4D	7024736	3	Spacer, Thrust	
4E	7024726	3	Shaft, Planet	
4F	7024728	3	Gear, Planet	
4G	7001913	6	Rollpin	
4H	7024742	1	Thrustwasher	
5	7017027	1	Ring, Retaining	
6	See Note	1	Cover Assembly (Note: Not Available for Purchase. See 6A-6G for Available Components.)	
6A	7024731	1	Plate, Cover	
6B	7017093	1	Cap, Disengage	
6C	7000216	2	Bolt 1/2in-20NC x 1/2in	
6D	7024739	1	Pin, Dowel	
6E	7017095	1	O-Ring	
6F	7017072	2	Plug, Pipe	
6G	7024738	1	Ring, Retaining	
7	7024722	1	Coupling	

SECTION 1 FRAME

FIGURE 1-5. DRIVE HUB ASSEMBLY (CONTINUED)

ITEM #	PART NUMBER	QTY.	DESCRIPTION	REV.
8	See Note	1	Brake, Input (Note: Not Available for Purchase. See 8A-8L for Available Components.)	
8A	70000782	1	Piston, Brake	
8B	7024743	1	Plate, Pressure	
8C	See Note	1	Ring, Retaining (Note: Use Item 101A or 101B)	
8D	See Note	1	O-Ring (Note: Use Item 100B or 101A)	
8E	See Note	1	Ring, Back-up (Note: Use Item 100B or 101A)	
8F	See Note	1	O-Ring (Note: Use Item 100B or 101A)	
8G	Not Used			
8H	See Note	1	Ring, Back-up (Note: Use Item 100B or 101A)	
8J	Use 7024764	8	Rotor, Brake	
8K	Use 7024764	9	Stator, Brake	
8L	Use 7024766	AR	Spring, Brake	
9	7024721	1	Shaft, Input	
10	Not Used			
11	7024723	1	Gear, Sun	
12	See Note	1	Plug (Note: Not Available - Purchase Locally.)	
13 to 14	Not Used			
15	See Note	1	Plate, ID (Not Shown) (Note: Not Available for Purchase.)	
16	7000281	4	Screw, Drive	
17	7024134	1	O-Ring	
18	Use 7024744	1	O-Ring	
19	7017022	3	Screw, Countersunk 3/8in-16NC	
20	7024737	1	Ring, Retaining	
21	See Note	1	Plug (Note: Not Available - Purchase Locally.)	

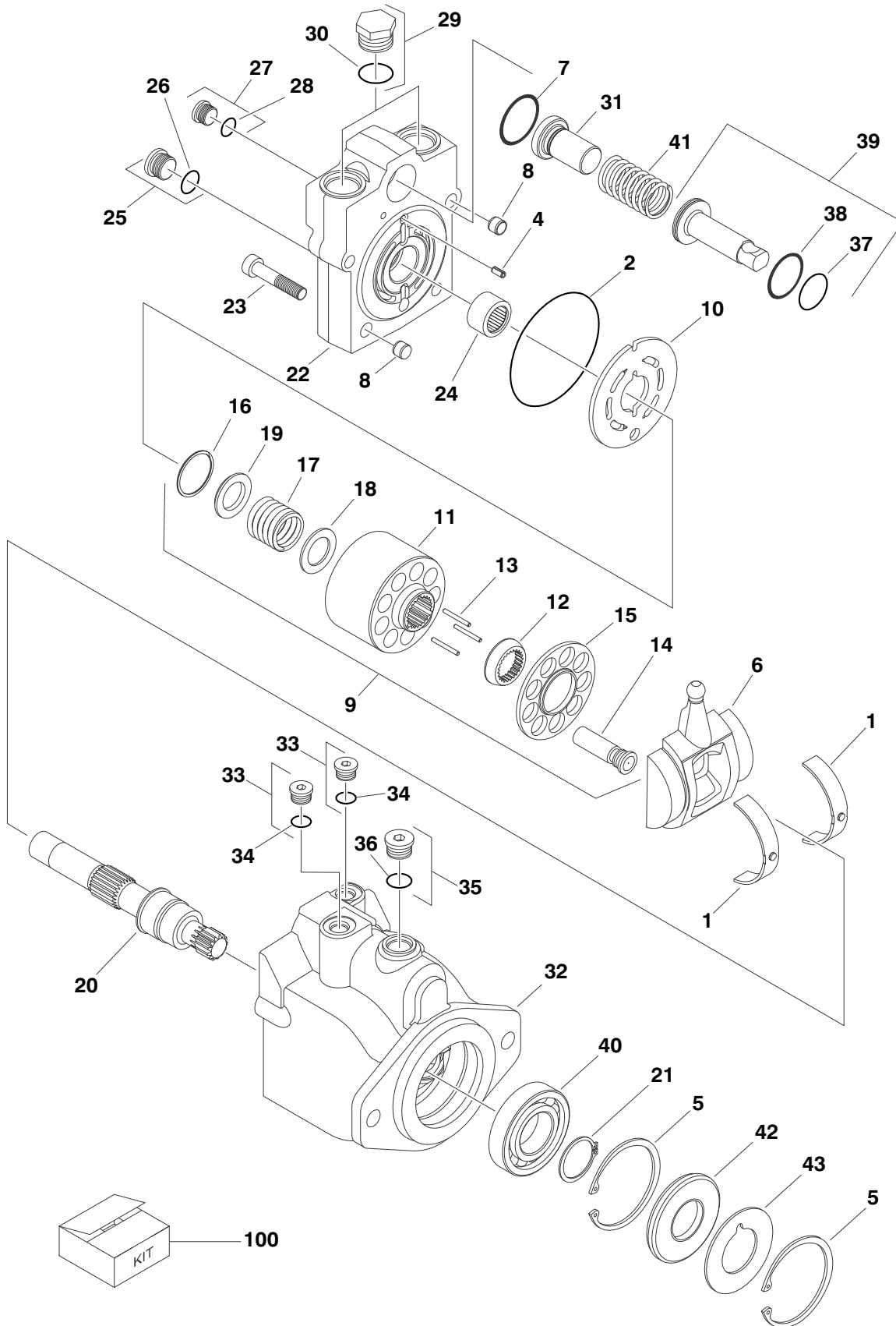
100		AR	Seal Kit Options:	
100A	7024744	1	Hub Seal Kit (Includes Items 1B, 1F, 1G, 17, 18 & 19)	
100B	7024765	1	Brake Seal Kit (Includes Items 1G,8C,8D,8E,8F & 8H)	
101		AR	Repair Kit Options:	
101A	7024764	1	Brake Lining Kit (Includes Items 1G,8C,8D,8F,8E,8H,8J & 8K)	
101B	7024766	1	Brake Spring Kit (Includes Items 1G,8C & 8L)	

FIGURE 1-5. DRIVE HUB ASSEMBLY (CONTINUED)

ITEM #	PART NUMBER	QTY.	DESCRIPTION	REV.

SECTION 1 FRAME

FIGURE 1-6. DRIVE MOTOR ASSEMBLY (USA BUILT MACHINES SN 0300087000 TO SN 0300098765)



SECTION 1 FRAME

FIGURE 1-6. DRIVE MOTOR ASSEMBLY (USA BUILT MACHINES SN 0300087000 TO SN 0300098765)

ITEM #	PART NUMBER	QTY.	DESCRIPTION	REV.
		Ref	DRIVE MOTOR ASSEMBLY	
	3160299	Ref	2WD/2WS	E
	3160300	Ref	2WD/4WS, 4WD/2WS & 4WD/4WS	E
1	7022302	2	Bearing, Journal	
2	Use 7022328	1	O-Ring	
3	Use 7022328	1	O-Ring	
4	7007446	1	Pin	
5	7007438	2	Ring, Retaining	
6	7024861	1	Swashplate	
7	Use 7022328	1	O-Ring	
8	7007435	2	Pin	
9	7022320	1	Cylinder Block Kit (Includes Items 11-19)	
10	7024862	1	Plate, Valve	
11	7024863	1	Block, Cylinder	
12	7024864	1	Guide, Slipper Retainer	
13	7021275	3	Pin, Slipper Hold Down	
14	7024865	9	Piston Assembly	
15	7024866	1	Retainer, Slipper	
16	7022311	1	Ring, Retaining	
17	7024867	1	Spring	
18	7024868	1	Washer	
19	7022314	1	Retainer, Spring	
20	7023910	1	Shaft	
21	7007439	1	Ring, Retaining	
22	7024869	1	Cap, End - Axial	
23	7022368	4	Screw	
24	7021249	1	Bearing, Needle	
25	7022321	1	Plug (Includes Item 26)	
26	Use 7022328	1	O-Ring	
27	7022318	1	Plug (Includes Item 28)	
28	Use 7022328	1	O-Ring	
29	7027419	2	Plug (Includes Item 30)	
30	Use 7022328	2	O-Ring	
31		1	Seat, Spring Options:	
	7024853		2WD/2WS	
	7022372		2WD/4WS, 4WD/2WS & 4WD/4WS	
32	7022370	1	Housing	
33	7022318	2	Plug (Includes Item 34)	
34	Use 7022328	2	O-Ring	
35	7022321	1	Plug (Includes Item 36)	
36	Use 7022328	1	O-Ring	
37	Use 7022328	1	O-Ring	
38	Use 7022328	1	Ring, Seal	
39	7024871	1	Piston, Servo	
40	7007437	1	Bearing	
41	7022326	1	Spring	
42	Use 7022328	1	Seal, Lip	

SECTION 1 FRAME

FIGURE 1-6. DRIVE MOTOR ASSEMBLY (USA BUILT MACHINES SN 0300087000 TO SN 0300098765) (CONTINUED)

ITEM #	PART NUMBER	QTY.	DESCRIPTION	REV.
43	7022371	1	Washer, Support -----	
100	7022328	1	Seal Kit (Includes Items 2,3,7,26,28,30,34,36,37,38 and 42)	

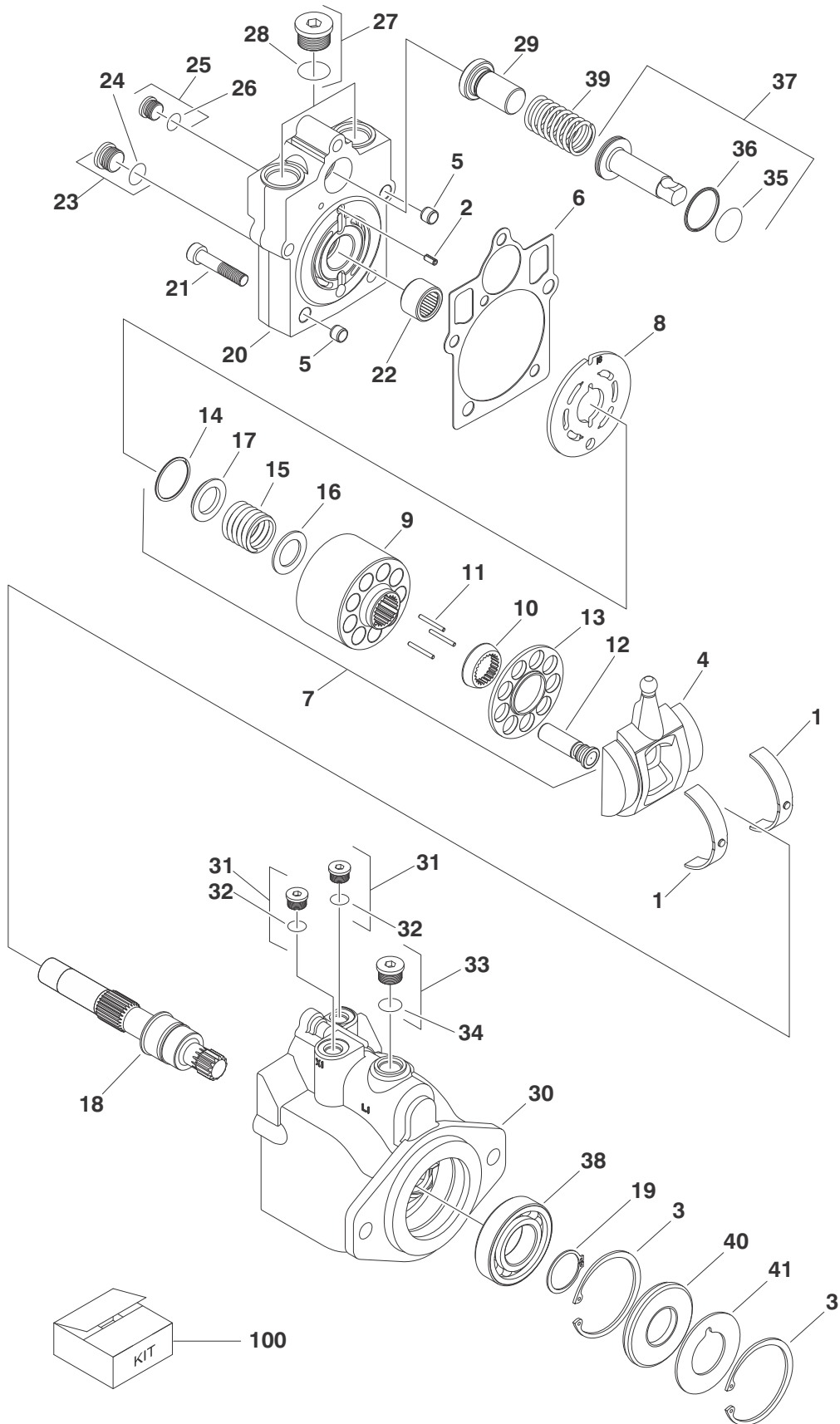
SECTION 1 FRAME

FIGURE 1-6. DRIVE MOTOR ASSEMBLY (USA BUILT MACHINES SN 0300087000 TO SN 0300098765) (CONTINUED)

ITEM #	PART NUMBER	QTY.	DESCRIPTION	REV.

SECTION 1 FRAME

FIGURE 1-7. DRIVE MOTOR ASSEMBLY (USA BUILT MACHINES SN 0300098765 TO SN 0300171769 & CHINA BUILT MACHINES SN B300000100 TO PRESENT)



SECTION 1 FRAME

FIGURE 1-7. DRIVE MOTOR ASSEMBLY (USA BUILT MACHINES SN 0300098765 TO SN 0300171769 & CHINA BUILT MACHINES SN B300000100 TO PRESENT)

ITEM #	PART NUMBER	QTY.	DESCRIPTION	REV.
		Ref	DRIVE MOTOR ASSEMBLY	
	3160349	Ref	2WD	B
	3160350	Ref	4WD	B
1	7022302	2	Bearing, Journal	
2	7007446	1	Pin	
3	7007438	2	Ring, Retaining	
4	70000794	1	Swashplate	
5	See Note	2	Pin (Note: Not Available for Purchase.)	
6	Use 7022328	1	Gasket	
7	7027740	1	Cylinder Block Kit (Includes Items 9-17)	
8	7024862	1	Plate, Valve	
9	Use 7027740	1	Block, Cylinder	
10	Use 7027740	1	Guide, Slipper Retainer	
11	7021275	3	Pin, Slipper Hold Down	
12	7024865	9	Piston Assembly	
13	Use 7027740	1	Retainer, Slipper	
14	7022311	1	Ring, Retaining	
15	7024867	1	Spring	
16	7022313	1	Washer	
17	7022314	1	Retainer, Spring	
18	7023910	1	Shaft	
19	7007439	1	Ring, Retaining	
20	70000795	1	Cap, End - Axial	
21	7022368	5	Screw	
22	7021249	1	Bearing, Needle	
23	2220886	1	Plug (Includes Item 24)	
24	Use 7022328	1	O-Ring	
25	2220883	1	Plug (Includes Item 26)	
26	Use 7022328	1	O-Ring	
27	7027419	2	Plug (Includes Item 28)	
28	Use 7022328	2	O-Ring	
29		1	Seat, Spring Options: 2WD/2WS 2WD/4WS, 4WD/2WS & 4WD/4WS	
30	See Note	1	Housing (Note: Not Available - Purchase Complete Drive Motor Assembly.)	
31	2220883	2	Plug (Items Item 32)	
32	Use 7022328	2	O-Ring	
33	2220886	1	Plug (Items Item 34)	
34	Use 7022328	1	O-Ring	
35	Use 7022328	1	O-Ring	
36	Use 7022328	1	Ring, Seal	
37	7024871	1	Piston, Servo	
38	7007437	1	Bearing	
39	7022326	1	Spring	
40	Use 7022328	1	Seal, Lip	
41	7022371	1	Washer, Support	

SECTION 1 FRAME

FIGURE 1-7. DRIVE MOTOR ASSEMBLY (USA BUILT MACHINES SN 0300098765 TO SN 0300171769 & CHINA BUILT MACHINES SN B300000100 TO PRESENT) (CONTINUED)

ITEM #	PART NUMBER	QTY.	DESCRIPTION	REV.
100	7022328	1	Seal Kit (Includes Items 6,24,26,28,32,34,35,36 and 40)	

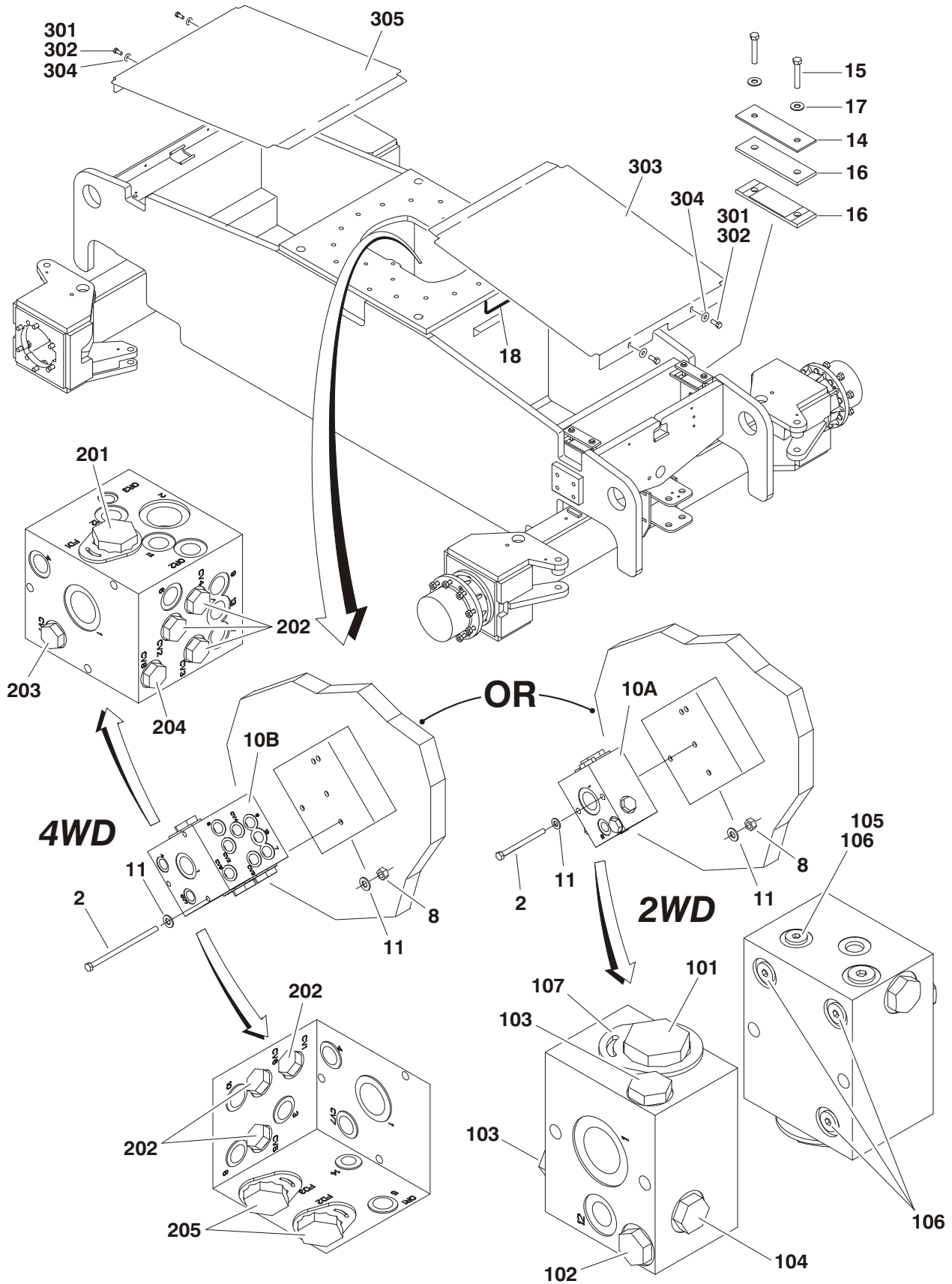
SECTION 1 FRAME

FIGURE 1-7. DRIVE MOTOR ASSEMBLY (USA BUILT MACHINES SN 0300098765 TO SN 0300171769 & CHINA BUILT MACHINES SN B300000100 TO PRESENT) (CONTINUED)

ITEM #	PART NUMBER	QTY.	DESCRIPTION	REV.

SECTION 1 FRAME

FIGURE 1-8. DRIVE VALVES & SHIELDS INSTALLATION (FRAME MOUNTED)



SECTION 1 FRAME

FIGURE 1-8. DRIVE VALVES & SHIELDS INSTALLATION (FRAME MOUNTED)

ITEM #	PART NUMBER	QTY.	DESCRIPTION	REV.
		Ref	DRIVE VALVES INSTALLATION OPTIONS:	
	0273049	Ref	2WD/2WS	I
	0273367	Ref	2WD/4WS	A
	0273048	Ref	4WD/2WS	K
	0273366	Ref	4WD/4WS	I
1	Not Used			
2		AR	Bolt 5/16in-18NC Options:	
	0641532	2	4in Length (2WD)	
	0641552	3	6-1/2in Length (4WD)	
3 to 7	Not Used			
8	3311505	AR	Locknut 5/16in-18NC	
9	Not Used			
10		1	Flow Divider Valve Assembly Options:	
10A			2WD (See Items 101-107 for Breakdown) Options:	
	Use 1001100120		USA Built Machines SN 0300087000 to SN 0300140854 (was p/n 4641409)	
	1001100120		USA Built Machines SN 0300140854 to SN 0300171769	
10B	4641410		4WD (See Items 201-207 for Breakdown)	
	Use 1001098503		USA Built Machines SN 0300087000 to SN 0300142841 (was p/n 4641410)	
	1001098503		USA Built Machines SN 0300142841 to SN 0300171769	
	1001098503		China Built Machines	
11	4711500	AR	Flatwasher 5/16in Thin	
12 to 13	Not Used			
14		AR	Bar, Clamping	
	Not Required	0	2WD/2WS	
	0363012	2	2WD/2WS, 4WD/2WS & 4WD/4WS	
15	0641618	4	Bolt 3/8in-16NC x 2-1/4in	
16	3340911	4	Rubber, Clamp	
17	4751600	4	Flatwasher 3/8in Regular	
18	4060808	13in/33cm	Flex-Trim (USA Built Machines SN 0300129689 to SN 0300171769 Only & China Built Machines SN B300000100) (was p/n 4060807)	
		Ref	FLOW DIVIDER ASSEMBLIES (2WD)	
	4641409	Ref	USA Built Machines SN 0300087000 to SN 0300140854	B
	1001100120	Ref	USA Built Machines SN 0300140854 to SN 0300171769	A
101	7023933	1	Valve, Cartridge (Flow Divider)	
	7021625	1	Seal Kit - Flow Divider Cartridge	
102	7024892	1	Valve, Cartridge (Check)	
	7023936	1	Seal Kit - Check Cartridge	
103	7022397	2	Valve, Cartridge (Check)	
	7022399	2	Seal Kit - Check Cartridge	
104	7023935	1	Valve, Cartridge (Check)	
	7023936	1	Seal Kit - Check Cartridge	
105	70002063	1	Orifice (SN 0300140854 to SN 0300171769)	
106	7017406	4	Plug (SN 0300140854 to SN 0300171769)	
107	70000781	1	Lock Down Kit (SN 0300140854 to SN 0300171769)	

SECTION 1 FRAME

FIGURE 1-8. DRIVE VALVES & SHIELDS INSTALLATION (FRAME MOUNTED) (CONTINUED)

ITEM #	PART NUMBER	QTY.	DESCRIPTION	REV.
		Ref	FLOW DIVIDER ASSEMBLIES (4WD)	
	4641410	Ref	USA Built Machines SN 0300087000 to SN 0300142841	B
	1001098503	Ref	USA Built Machines SN 0300142841 to SN 0300171769	A
	1001098503	Ref	All China Built Machines	A
201	7023933	1	Valve, Cartridge (Flow Divider)	
	7021625	1	Seal Kit - Flow Divider Cartridge	
202	7022397	6	Valve, Cartridge (Check) (Used With p/n 4641410)	
	70003408	6	Valve, Cartridge (Check) (Used With p/n 1001098503)	
	7022399	6	Seal Kit - Check Cartridge	
203	7023935	1	Valve, Cartridge (Check)	
	7023936	1	Seal Kit - Check Cartridge	
204	7024892	1	Valve, Cartridge (Check)	
	7023936	1	Seal Kit - Check Cartridge	
205	7023917	2	Valve, Cartridge (Flow Divider)	
	7021625	2	Seal Kit - Flow Divider Cartridge	
206	70002063	1	Plug, Orifice	
207	70002064	2	Plug, Orifice	
		Ref	FRAME SHIELDS INSTALLATION	
	0273067	Ref	2WS	A
	0273362	Ref	4WS	A
301	0100011	AR	Compound, Locking	
302	0641607	AR	Bolt, 3/8in - 16NC x 7/8in	
303	4061058	1	Shield, Frame - Front	
304	4751600	AR	Flatwasher, 3/8in Regular	
305		AR	Shield, Frame - Rear	
	Not Required	0	2WS	
	4061058	1	4WS	

SECTION 1 FRAME

FIGURE 1-8. DRIVE VALVES & SHIELDS INSTALLATION (FRAME MOUNTED) (CONTINUED)

ITEM #	PART NUMBER	QTY.	DESCRIPTION	REV.

SECTION 1 FRAME

FIGURE 1-9. TOW PACKAGE INSTALLATION (OPTIONAL)

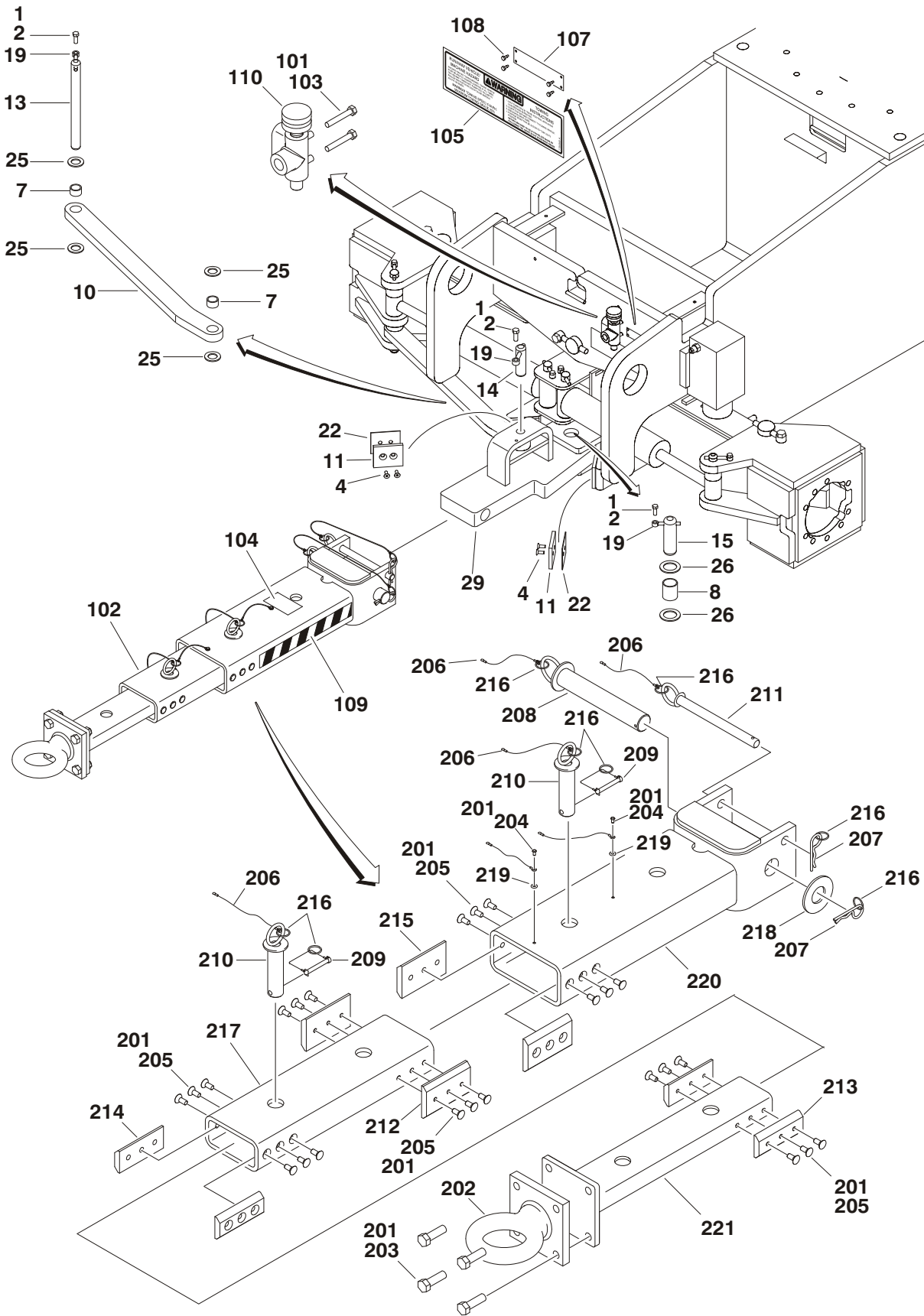


FIGURE 1-9. TOW PACKAGE INSTALLATION (OPTIONAL)

ITEM #	PART NUMBER	QTY.	DESCRIPTION	REV.
		Ref	TOW PACKAGE INSTALLATION	
	0273422	Ref	2WD	A
	0273394	Ref	4WD	D
1	0100011	AR	Compound, Locking	
2	0641608	3	Bolt 3/8in-16NC x 1in	
3	Not Used			
4	0741607	4	Screw, Countersunk 3/8in-16NC x 7/8in	
5 to 6	Not Used			
7	0962292	2	Bearing	
8	0962348	1	Bearing	
9	Not Used			
10	3010125	1	Link, Steer	
11	3340966	2	Pad, Stop	
12	Not Used			
13	3422567	1	Pin	
14	3422813	1	Pin	
15	3422848	1	Pin	
16 to 18	Not Used			
19	3841143	3	Keeper, Pin	
20 to 21	Not Used			
22	4071059	2	Shim	
23 to 24	Not Used			
25	4740111	3	Thrustwasher	
26	4740155	2	Thrustwasher	
27 to 28	Not Used			
29	4846935	1	Bar, Pivot	
		Ref	TOW BAR INSTALLATION	
	0273398	Ref	ANSI Spec	B
	0273448	Ref	CSA Spec	A
	0275619	Ref	CE Spec	A
101	0100011	AR	Compound, Locking	
102	0270528	1	Bar Assembly (See Items 201-221 for Breakdown)	
103	0641516	2	Bolt 5/16in-18NC x 2in	
104		2	Decal - Crushing Options:	
	1704578		ANSI/CSA Spec	
	1706960		CE Spec	
105		1	Decal - Towing Instructions Options:	
	1705090		ANSI Spec	
	1705820		CSA Spec	
	Not Required		CE Spec	
106	Not Used			
107		1	Nameplate - Steer/Tow Select Valve Options:	
	3250872		ANSI Spec	
	1704272		CSA Spec	
	1706957		CE Spec	

SECTION 1 FRAME

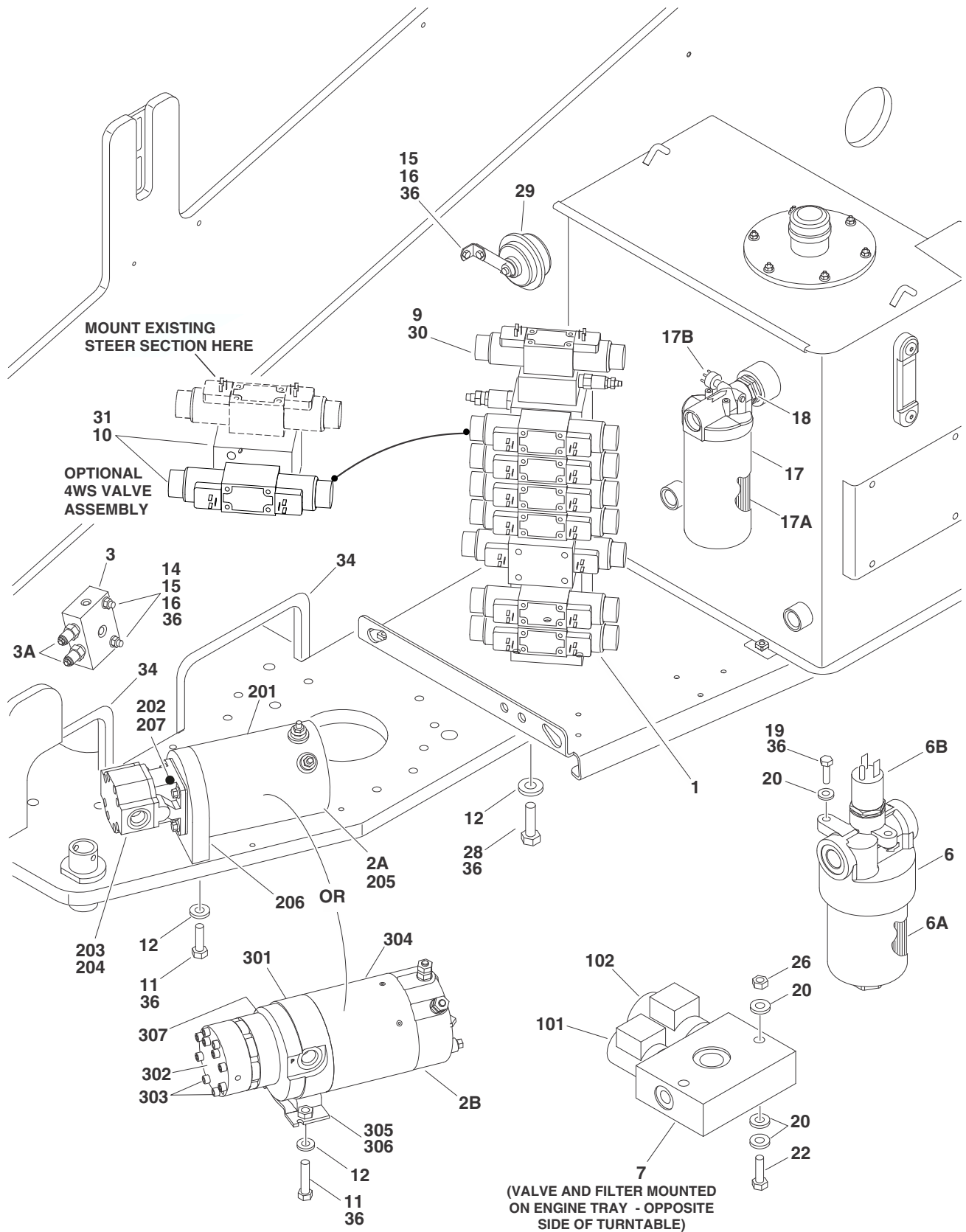
FIGURE 1-9. TOW PACKAGE INSTALLATION (OPTIONAL) (CONTINUED)

ITEM #	PART NUMBER	QTY.	DESCRIPTION	REV.
108	3940604 Not Required	4	Screw, Self-Tapping #6-32NF x 1/2in Options: ANSI/CSA Spec CE Spec	
109	4420051	2ft/.61m	Tape, Safety	
110	4640261	1	Valve, Select	
	0270528	Ref	TOW BAR ASSEMBLY	A
201	0100011	AR	Compound, Locking	
202	0362910	1	Pintle, Draw Eye	
203	0642010	4	Bolt 5/8in-11NC x 1-1/4in	
204	0721004	2	Screw, Hex Machine	
205	0741607	24	Screw, Countersunk 3/8in-16NC x 7/8in	
206	1060584	6	Cable, Lanyard	
207	3420372	2	Pin, Cotter	
208	3420447	1	Pin, Towing	
209	3421565	2	Pin, Snap	
210	3422841	2	Pin	
211	3422847	1	Pin	
212	3572009	2	Plate, Slide Stop	
213	3572010	2	Plate, Slide Stop	
214	3572011	2	Plate, Slide Stop	
215	3572012	2	Plate, Slide Stop	
216	3760170	8	Ring, Split	
217	4568133	1	Tube, Tow Bar	
218	4740036	1	Flatwasher	
219	4751000	2	Flatwasher #10 Regular	
220	4846295	1	Tow Bar Attach Weldment	
221	4846296	1	Pintle Attach Weldment	

SECTION 2 TURNTABLE

SECTION 2 TURNTABLE

FIGURE 2-1. CONTROL VALVES INSTALLATIONS



SECTION 2 TURNTABLE

FIGURE 2-1. CONTROL VALVES INSTALLATIONS

ITEM #	PART NUMBER	QTY.	DESCRIPTION	REV.
		Ref	VALVES INSTALLATIONS	
		Ref	USA Built Machines SN 0300087000 to SN 0300166419 & China Built Machines SN B300000100 to SN B300000700	
	0274316	Ref	600S (2WS)	B
	0274317	Ref	600S (4WS)	B
	0274318	Ref	600SJ (2WS) & 660SJ (2WS)	B
	0274319	Ref	600SJ (4WS) & 660SJ (4WS)	B
		Ref	USA Built Machines SN 0300166419 to SN 0300171769 & China Built Machines SN B300000700 to Present	
	1001145279	Ref	600S (2WS)	A
	1001145280	Ref	600S (4WS)	A
	1001145281	Ref	600SJ (2WS) & 660SJ (2WS)	A
	1001145282	Ref	600SJ (4WS) & 660SJ (4WS)	A
	1001143365	Ref	AUXILIARY PUMP INSTALLATION	A
1		1	Main Control Valve Assembly Options (See MAIN CONTROL VALVE ASSEMBLY for Breakdown):	
	4641096		USA Built Machines SN 0300087000 to SN 0300092880	
	4641451		USA Built Machines SN 0300092880 to SN 0300101769	
	1001091303		USA Built Machines SN 0300101769 to SN 0300171769	
	1001091303		China Built Machines SN B300000100 to Present	
2		1	Auxiliary Pump Assembly Options	
2A	3600365		USA Built Machines SN 0300087000 to SN 0300166419 & China Built Machines SN B300000100 to SN B300000700 (See Items 201-207 for Breakdown)	
2B	1001137458		(USA Built Machines SN 0300166419 to SN 0300171769 & China Built Machines SN B300000700 to Present) (See Items 301-307 for Breakdown)	
3	4640908	1	Counterbalance Valve Assembly (USA Built Machines SN 0300087000 to SN 0300137441 Only)	
3A	7011328	2	Cartridge, Counterbalance	
	2900770	2	Seal, Kit - 7011328 Cartridge	
4 to 5	Not Used			
6	2120209	1	Hydraulic Pressure Filter Assembly	
6A	2120210	1	Element, Filter	
6B	7020020	1	Indicator, Clogged Filter	
6C	70000934	1	O-Ring, Filter Bowl (Not Shown)	
7		1	Valve Assembly (2 Speed/Brake) (See Items 101-103 for Breakdown)	
	Use 1001099391		USA Built Machines SN 0300087000 to SN 0300139625 (was p/n 4641108)	
	1001099391		USA Built Machines SN 0300139625 to SN 0300171769	
	1001099391		China Built Machines SN B300000100 to Present	
8	Not Used			
9		AR	Valve Kit (Articulating Jib) Options:	
	Not Required	0	600S	
	4640921	1	600SJ & 660SJ (See ACCESSORY VALVE ASSEMBLY for Breakdown)	

SECTION 2 TURNTABLE

FIGURE 2-1. CONTROL VALVES INSTALLATIONS (CONTINUED)

ITEM #	PART NUMBER	QTY.	DESCRIPTION	REV.
10		AR	4WS Valve Kit Options:	
	Not Required	0	2WS Machines	
	4640922	1	4WS Machines (See ACCESSORY VALVE ASSEMBLY for Breakdown)	
11	0641613	2	Bolt 3/8in-16NC x 1-5/8in	
12	4711600	5	Flatwasher 3/8in Thin	
13	Not Used			
14	4891800	AR	Flatwasher 1/2in Hardened (USA Built Machines SN 0300087000 to SN 0300137441 Only)	
15	4711500	AR	Flatwasher 5/16in Thin	
16	3311501	AR	Nut 5/16in-18NC	
17	2120164	1	Return Filter Assembly	
17A	2120149	1	Element, Filter	
17B	7020021	1	Switch, Clog Indicator	
18	2220893	1	Fitting, Adapter (USA Built Machines SN 0300087000 to SN 0300166419 & China Built Machines SN B300000100 to SN B300000700)	
19	0651406	3	Bolt 1/4in-28NF x 3/4in	
20	4711400	17	Flatwasher 1/4in Thin	
21	Not Used			
22	0641416	2	Bolt 1/4in-20NC x 2in	
23 to 25	Not Used			
26	3311405	2	Locknut 1/4in-20NC	
27	Not Used			
28	0641608	3	Bolt 3/8in-16NC x 1in	
29	0140001	1	Horn	
30		AR	Harness Assembly (Jib Control) Options (Not Shown - See ELECTRICAL SECTION for Breakdown):	
	Not Required	0	600S	
	4921927	1	600SJ & 660SJ	
31		AR	Harness Assembly (4WS Control) Options: (Not Shown - See ELECTRICAL SECTION for Breakdown):	
	Not Required	0	2WS Machines	
	4921928	1	4WS Machines	
32 to 33	Not Used			
34	4060918	40in/10m	Flex-Trim	
35	Not Used			
36	0100011	AR	Compound, Locking	
		Ref	VALVE ASSEMBLY (DUAL SELECT BRAKE/2 SPEED)	
		Ref	Note: Original Equipment Valve may have been replaced with Service Replacement Valve. Identify p/n stamped on valve before ordering parts.	
	4641108	Ref	USA Built Machines SN 0300087000 to SN 0300139625 (Original Equipment)	C
	1001099391	Ref	USA Built Machines SN 0300139625 to SN 0300171769 (Service Replacement)	A
	1001099391	Ref	China Built Machines SN B300000100 to Present	A
101	7012941	1	Cartridge without Coil	
	7010543	1	Seal Kit - 7012941 Cartridge	

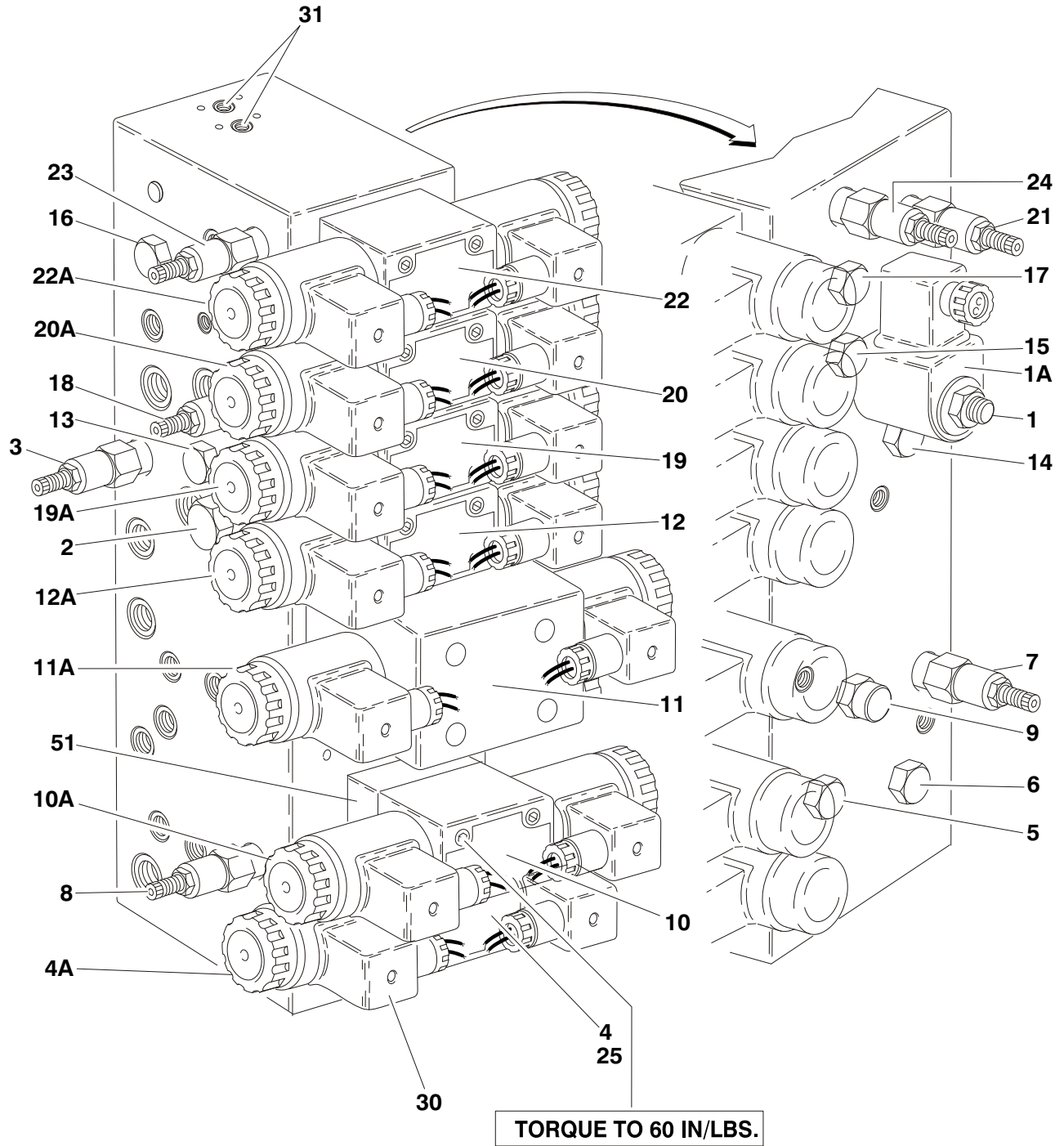
SECTION 2 TURNTABLE

FIGURE 2-1. CONTROL VALVES INSTALLATIONS (CONTINUED)

ITEM #	PART NUMBER	QTY.	DESCRIPTION	REV.
101 (cont'd)	7012944	1	Coil	
102	7012995	1	Cartridge without Coil	
	7012518	1	Seal Kit - 7012995 Cartridge	
	7012943	1	Coil	
103	70002209	1	Plug, Orifice (Use with Valve Assembly - 1001099391) (Not Shown - Access to orifice is through port T)	
	3600365	Ref	AUXILIARY PUMP INSTALLATION (USA Built Machines SN 0300087000 to SN 0300166419 & China Built Machines SN B300000100 to SN B300000700)	B
201	7004248	1	Replacement Motor w/out Endhead	
	Use 7004290	1	Replacement Motor with Endhead (was p/n 7011067)	
	7011065	1	Brush Kit	
202	7011063	1	Coupling	
203	7011064	1	Replacement Pump	
	7011066	1	Seal Kit	
204	7011043	4	Bolt (Pump to Endhead)	
205	See Note	2	Bolt (Motor to Endhead) (Note: Not Available for Purchase.)	
206	7011062	1	Endhead	
207	7011044	1	Gasket (Pump p/n 3600365/3600379)	
	1001137458	Ref	AUXILIARY PUMP ASSEMBLY (USA Built Machines SN 0300166419 to SN 0300171769 & China Built Machines SN B300000700 to Present)	A
301	70003995	1	Base	
302	70003996	1	Pump	
303	70003997	4	Screw 1/4in-20NC x 3in	
304	70003998	1	Motor	
305	70003999	1	Bracket	
306	70004000	2	Screw 3/8in-16NC x 1in	
307	7026330	1	Seal, Shaft	

SECTION 2 TURNTABLE

FIGURE 2-2. MAIN CONTROL VALVE ASSEMBLY



SECTION 2 TURNTABLE

FIGURE 2-2. MAIN CONTROL VALVE ASSEMBLY

ITEM #	PART NUMBER	QTY.	DESCRIPTION	REV.
		Ref	MAIN CONTROL VALVE ASSEMBLIES	
	4641096	Ref	USA Built Machines SN 0300087000 to SN 0300092880	C
	4641451	Ref	USA Built Machines SN 0300092880 to SN 0300101769	A
	1001091303	Ref	USA Built Machines SN 0300101769 to SN 0300171769	A
	1001091303	Ref	China Built Machines SN B00000100 to Present	A
1	7017410	1	Cartridge, Without Coil	
	7012967	1	Seal Kit - 7017410 Cartridge	
1A	7012944	1	Coil	
2	7017464	1	Cartridge, Pressure Sensing	
	7012518	1	Seal Kit	
3	7012912	1	Cartridge (Main Relief)	
	7012998	1	Seal Kit	
4	Use 70001976	1	Control Valve Assembly (Platform Level) (was p/n 7012770)	
	7012773	1	Seal Kit	
4A	7018991	2	Coil	
	7018912	2	Nut, Coil	
5	7012914	1	Cartridge, Check Valve	
	7012918	1	Seal Kit - 7012914 Cartridge	
6	7012914	1	Cartridge, Check Valve	
	7012918	1	Seal Kit - 7012914 Cartridge	
7	7012912	1	Cartridge, Relief Valve (Platform Level Backward)	
	7012998	1	Seal Kit - 7012912 Cartridge	
8	7012912	1	Cartridge, Relief Valve (Platform Level Forward)	
	7012998	1	Seal Kit - 7012912 Cartridge	
9	7012989	1	Cartridge, Flow Control	
	7012953	1	Seal Kit - 7012989 Cartridge	
10	Use 70001976	1	Control Valve Assembly (Platform Rotate) (was p/n 7012770)	
	7012773	1	Seal Kit	
10A	7018991	2	Coil	
	7018912	2	Nut, Coil	
11	Use 70000579	1	Control Valve Assembly Options (Upper Tele):	
	70000579		4641096 Valve (was p/n 7012766)	
			4641451 & 1001091303 Valves	
		Ref	Note: Refer to Vendor P/N on Valve Nameplate before ordering Parts. P/N 7012766 is RR00567495 or R900567495. P/N 70000579 is R900930080.	
		1	Seal Kit Options:	
	7012769		7012766 Valve	
	70000583		70000579 Valve	
11A		1	Coil Options:	
	7012772		7012766 Valve (was p/n 7012768)	
	70000582		70000579 Valve	
		1	Nut, Coil Options:	
	7018912		7012766 Valve	
	70000580		70000579 Valve	

SECTION 2 TURNTABLE

FIGURE 2-2. MAIN CONTROL VALVE ASSEMBLY (CONTINUED)

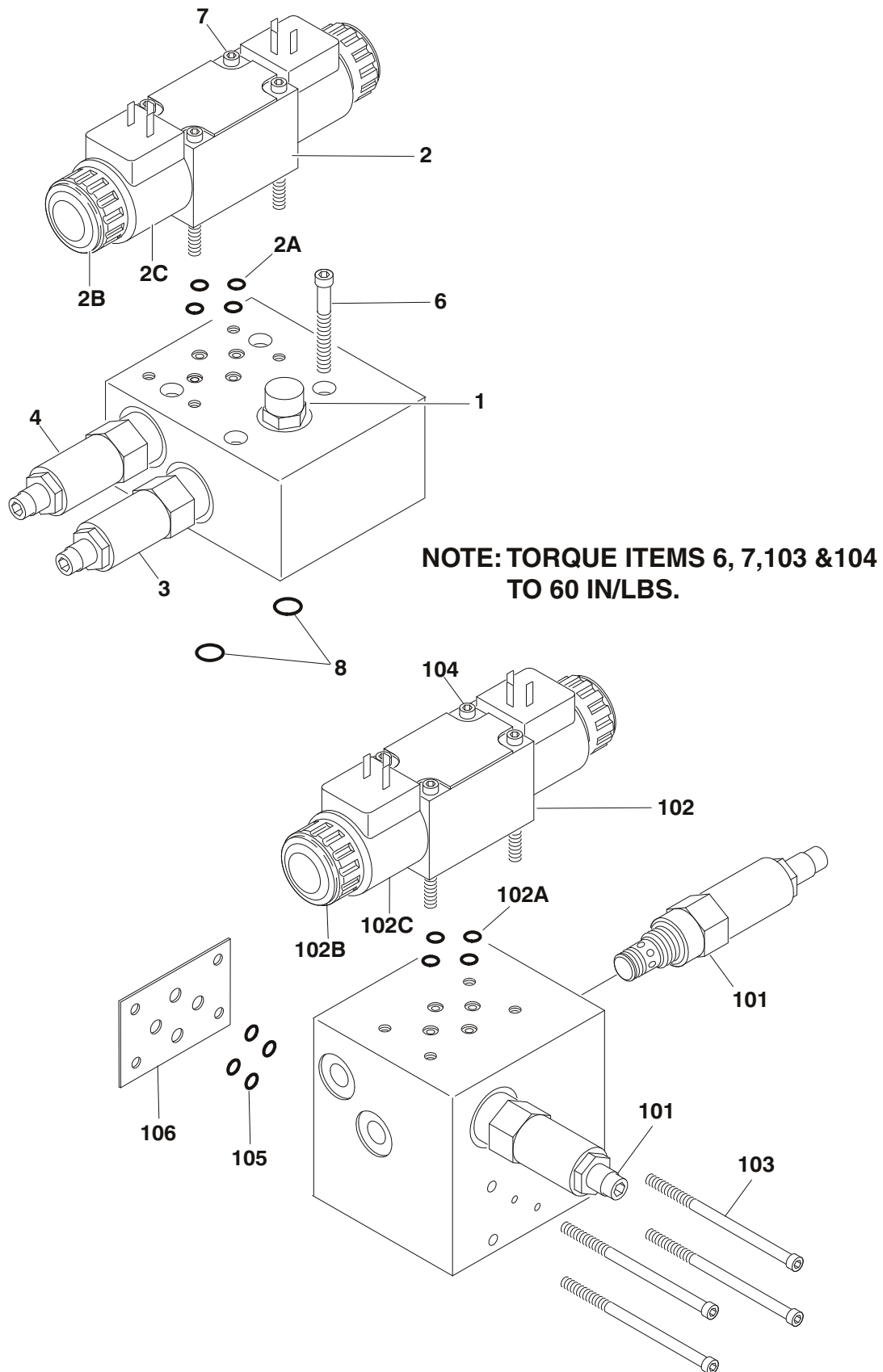
ITEM #	PART NUMBER	QTY.	DESCRIPTION	REV.
12	7012775	1	Control Valve Assembly (Flow Control)	
	7012773	1	Seal Kit	
12A	7012772	2	Coil	
	7018912	2	Nut, Coil	
	7024015	2	Pipe, Pole	
13	7010542	1	Cartridge, Shuttle	
	7010543	1	Seal Kit - 7010542 Cartridge	
14	7010542	1	Cartridge, Shuttle	
	7010543	1	Seal Kit - 7010542 Cartridge	
15	7010542	1	Cartridge, Shuttle	
	7010543	1	Seal Kit - 7010542 Cartridge	
16	7010542	1	Cartridge, Shuttle	
	7010543	1	Seal Kit - 7010542 Cartridge	
17	7010542	1	Cartridge, Shuttle	
	7010543	1	Seal Kit - 7010542 Cartridge	
18	7012912	1	Cartridge, Relief Valve (Upper Lift Down)	
	7012998	1	Seal Kit - 7012912 Cartridge	
19	7012775	1	Control Valve Assembly (Upper Lift)	
	7012773	1	Seal Kit	
19A	7012772	2	Coil	
	7018912	2	Nut, Coil	
	7024015	2	Pipe, Pole	
20	7012775	1	Control Valve Assembly (Swing)	
	7012773	1	Seal Kit	
20A	7012772	2	Coil	
	7018912	2	Nut, Coil	
	7024015	2	Pipe, Pole	
21	7012912	1	Cartridge, Relief Valve (Swing)	
	7012998	1	Seal Kit - 7012912Cartridge	
22	7012774	1	Control Valve Assembly (Steer)	
	7012773	1	Seal Kit	
22A	7012772	2	Coil	
	7018912	2	Nut, Coil	
	7024014	2	Pipe, Pole	
23	7012912	1	Cartridge, Relief Valve (Steer Left)	
	7012998	1	Seal Kit - 7012912Cartridge	
24	7012912	1	Cartridge, Relief Valve (Steer Right)	
	7012998	1	Seal Kit - 7012912Cartridge	
25	7018941	2	Orifice	
26 to 29	Not Used			
30	4460499	15	Connector, Din with Diode (Part of Valve Harness)	
31	2220885	2	Plug	
	2901763	Ref	ROTATE SANDWICH VALVE KIT	A
51	7021310	1	Block, Valve	

FIGURE 2-2. MAIN CONTROL VALVE ASSEMBLY (CONTINUED)

ITEM #	PART NUMBER	QTY.	DESCRIPTION	REV.

SECTION 2 TURNTABLE

FIGURE 2-3. ACCESSORY VALVE ASSEMBLY



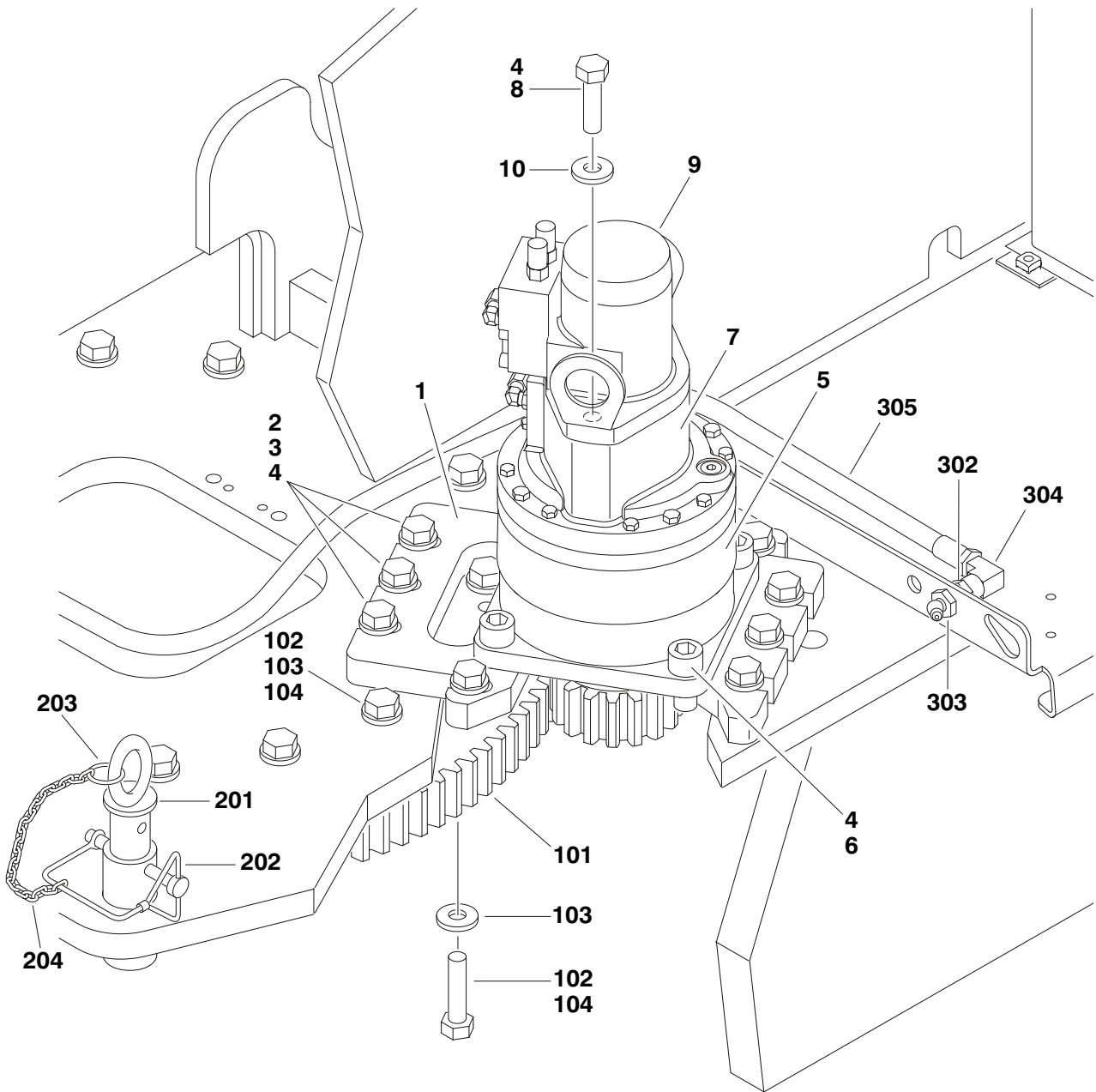
SECTION 2 TURNTABLE

FIGURE 2-3. ACCESSORY VALVE ASSEMBLY

ITEM #	PART NUMBER	QTY.	DESCRIPTION	REV.
		Ref	ACCESSORY VALVE ASSEMBLIES	
	4640921	Ref	ARTICULATING JIB VALVE ASSEMBLY	D
1	7012965	1	Cartridge, Flow Control	
	7012953	1	Seal Kit - 7012965 Cartridge	
2	Use 70001976	1	Directional Control Valve Assembly (was p/n 7012770)	
	7012773	1	Seal Kit	
2A	7018945	4	O-Ring	
2B	7018912	2	Nut	
2C	7012772	2	Coil	
3	7017421	1	Cartridge, Relief	
	7012998	1	Seal Kit - 7017421 Cartridge	
4	7017422	1	Cartridge, Relief	
	7012998	1	Seal Kit - 7017422 Cartridge	
5	4460499	2	Connector, DIN with Diode (Not Shown - Part of Valve Harness)	
6	7012777	4	Capscrew, Socket Head 5/16in-18NC x 2-1/4in (Used to Mount Valve Assembly)	
7	7018942	4	Capscrew, Socket Head #10-24NC x 2in	
8	7012776	2	O-Ring (Used to Mount Main Valve)	
	4640922	Ref	4WS VALVE ASSEMBLY	B
101	7017420	1	Cartridge, Relief	
	7012998	1	Seal Kit - 7017420 Cartridge	
102	7012774	1	Directional Control Valve Assembly	
	7012773	1	Seal Kit	
102A	7018945	4	O-Ring	
102B	7018912	2	Nut	
102C	7012772	2	Coil	
103	7018946	4	Capscrew, Socket Head #10-24NC x 5in (Used to Mount Main Valve)	
104	7018942	4	Capscrew, Socket Head #10-24NC x 2in	
105	7018948	4	O-Ring (Used to Mount Main Valve)	
106	7018947	1	Plate, O-Ring	

SECTION 2 TURNTABLE

FIGURE 2-4. SWING DRIVE, TURNTABLE BEARING & LOCK INSTALLATIONS



SECTION 2 TURNTABLE

FIGURE 2-4. SWING DRIVE, TURNTABLE BEARING & LOCK INSTALLATIONS

ITEM #	PART NUMBER	QTY.	DESCRIPTION	REV.
		Ref	SWING DRIVE INSTALLATION	
	0270329	Ref	USA Built Machines SN 0300087000 to SN 0300137441	D
	1001094828	Ref	USA Built Machines SN 0300137441 to SN 0300171769	B
	1001094828	Ref	China Built Machines SN B300000100 to Present	B
1	3537318	1	Plate, Swing Drive Mounting	
2	0642018	10	Bolt 5/8in - 11NC x 2-1/4in	
3	4892000	10	Flatwasher 5/8in Hardened	
4	0100011	AR	Compound, Locking	
5		1	Swing Hub Assembly Options:	
	2780205		USA Built Machines SN 0300087000 to SN 0300137441 (See SWING HUB ASSEMBLY for Breakdown)	
	See Note		USA Built Machines SN 0300137441 to SN 0300171769 (See SWING MOTOR/BRAKE/HUB ASSEMBLY for Breakdown)	
	See Note		China Built Machines SN B300000100 to Present (See SWING MOTOR/BRAKE/HUB ASSEMBLY for Breakdown)	
6	3932224	4	Capscrew 3/4in-10NC x 1-1/2in	
7		1	Brake, Swing Assembly Options:	
	0920119		USA Built Machines SN 0300087000 to SN 0300137441	
	7007933	2	Gasket, Mounting Face	
	7007990	2	O-Ring, Mounting Face	
	7018612	1	Repair Kit - 0920119 Brake	
		Ref	Note: Other than Gasket and O-Ring, Repair Kit is only part available.	
	See Note		USA Built Machines SN 0300137441 to SN 0300171769 (See SWING MOTOR/BRAKE/HUB ASSEMBLY for Breakdown)	
	See Note		China Built Machines SN B300000100 to Present (See SWING MOTOR/BRAKE/HUB ASSEMBLY for Breakdown)	
8		2	Bolt Options:	
	0681836		USA Built Machines SN 0300087000 to SN 0300137441 (Bolt 1/2in -13NC x 4-1/2in)	
	See Note		USA Built Machines SN 0300137441 to SN 0300171769 (See SWING MOTOR/BRAKE/HUB ASSEMBLY for Breakdown)	
	See Note		China Built Machines SN B300000100 to Present (See SWING MOTOR/BRAKE/HUB ASSEMBLY for Breakdown)	
9		1	Swing Motor Assembly Options:	
			USA Built Machines SN 0300087000 to SN 0300137441 (Note: Either p/n may be used as replacement.)	
	Use 1001110169		White Roller Stator Motor (was p/n 3160273) (See SWING MOTOR ASSEMBLY (WHITE ROLLER STATOR) for Breakdown)	
	1001110169		Parker Motor (See SWING MOTOR ASSEMBLY (Parker) For Breakdown)	
	See Note		USA Built Machines SN 0300137441 to SN 0300171769 (See SWING MOTOR/BRAKE/HUB ASSEMBLY for Breakdown)	
	See Note		China Built Machines SN B300000100 to Present (See SWING MOTOR/BRAKE/HUB ASSEMBLY for Breakdown)	
10		2	Flatwasher Options:	
	4891800		USA Built Machines SN 0300087000 to SN 0300137441 (1/2in Hardened)	
	See Note		USA Built Machines SN 0300137441 to SN 0300171769 (See SWING MOTOR/BRAKE/HUB ASSEMBLY for Breakdown)	

SECTION 2 TURNTABLE

FIGURE 2-4. SWING DRIVE, TURNTABLE BEARING & LOCK INSTALLATIONS (CONTINUED)

ITEM #	PART NUMBER	QTY.	DESCRIPTION	REV.
10 (cont'd)	See Note		China Built Machines SN B300000100 to Present (See SWING MOTOR/BRAKE/HUB ASSEMBLY for Breakdown)	
	0254798	Ref	TURNTABLE BEARING INSTALLATION	2/B
101	0440207	1	Bearing, Turntable	
102	0682016	36	Bolt 5/8in - 11NC x 2in Grade 8	
103	4892000	36	Flatwasher 5/8in Hardened	
104	0100019	AR	Compound, Locking	
	0239585	Ref	TURNTABLE LOCK INSTALLATION	B
201	3421627	1	Pin	
202	3421565	1	Pin, Snap	
203	3760170	2	Ring, Quick Release	
204	1260017	9in/23cm	Chain	
	0255316	Ref	REMOTE BEARING LUBE INSTALLATION	3
301	Not Used			
302	2180344	1	Fitting, Bulkhead	
303	2160003	1	Fitting, Grease 45	
304	2220063	1	Fitting, 90	
305	2751032	1	Hose, Grease	

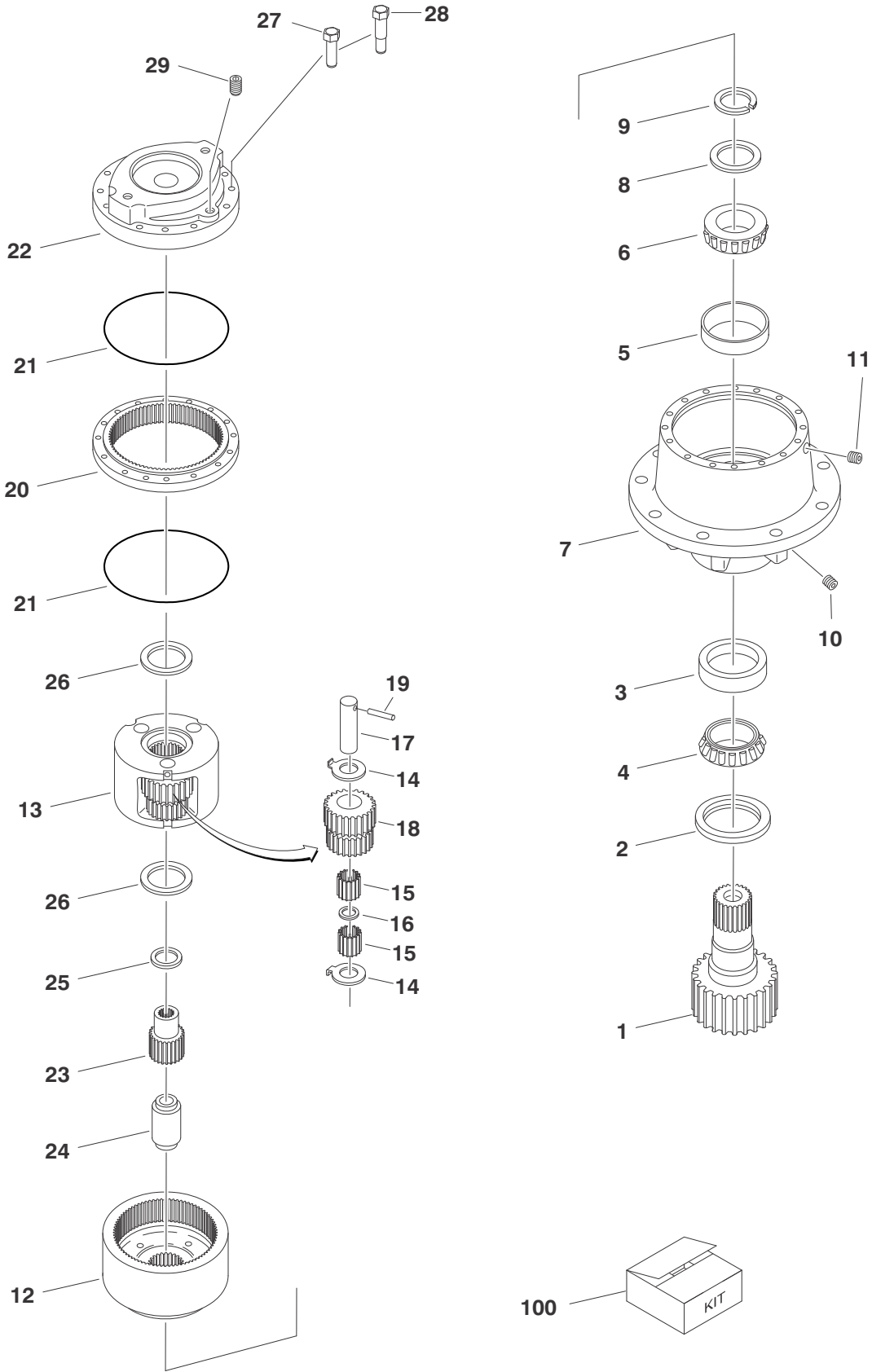
SECTION 2 TURNTABLE

FIGURE 2-4. SWING DRIVE, TURNTABLE BEARING & LOCK INSTALLATIONS (CONTINUED)

ITEM #	PART NUMBER	QTY.	DESCRIPTION	REV.

SECTION 2 TURNTABLE

FIGURE 2-5. SWING HUB ASSEMBLY (USA BUILT MACHINES SN 0300087000 TO SN 0300137441)



SECTION 2 TURNTABLE

FIGURE 2-5. SWING HUB ASSEMBLY (USA BUILT MACHINES SN 0300087000 TO SN 0300137441)

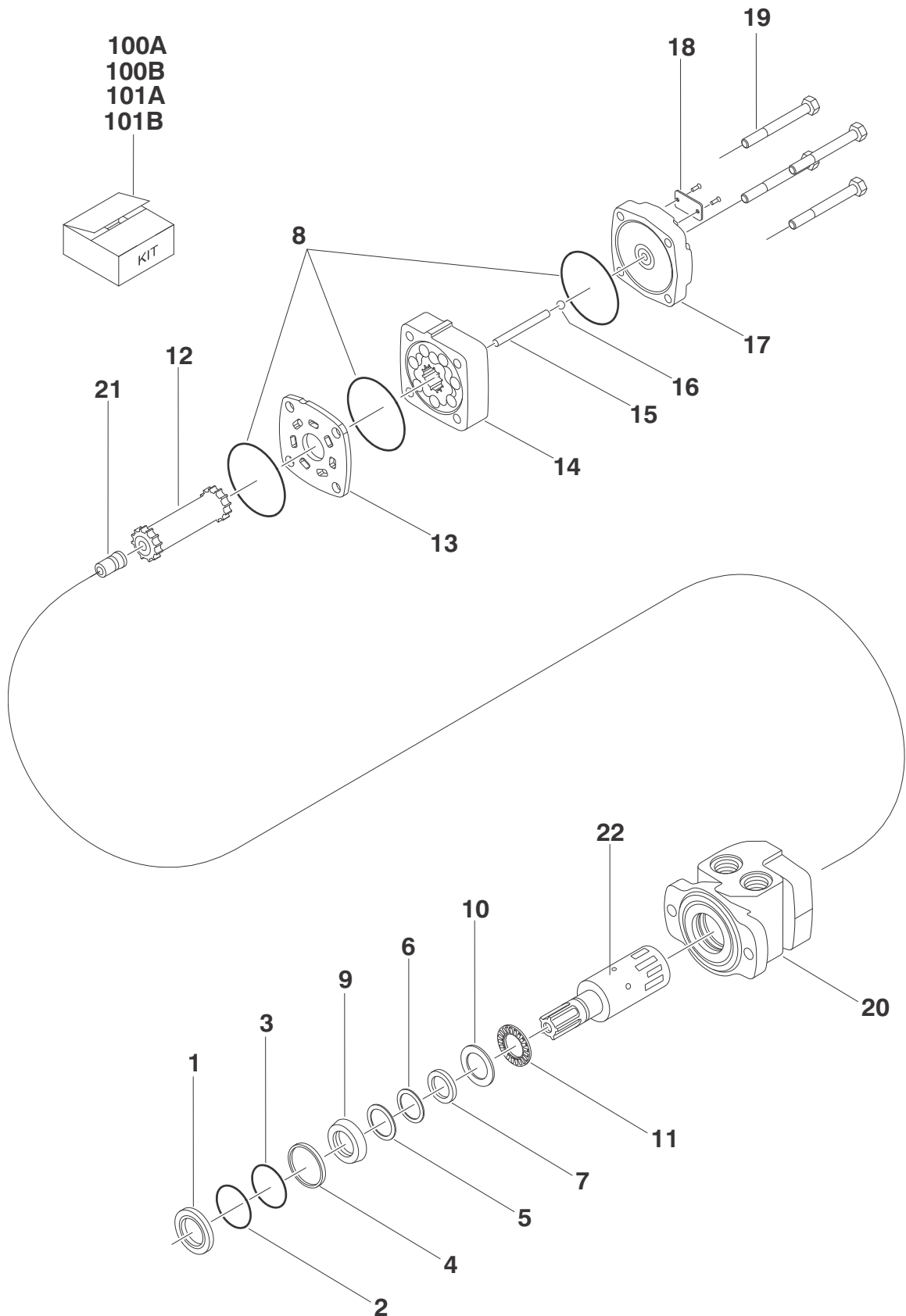
ITEM #	PART NUMBER	QTY.	DESCRIPTION	REV.
	2780205	Ref	SWING HUB ASSEMBLY	—
		Ref	HOUSING ASSEMBLY	
1	7010492	1	Shaft, Output	
2	7000228	1	Seal, Lip	
3	7000255	1	Cup, Bearing	
4	7000256	1	Cone, Bearing	
5	7000257	1	Cup, Bearing	
6	7000258	1	Cone, Bearing	
7	7017089	1	Housing	
8	7007633	1	Thrustwasher	
9	7000229	1	Ring, Retaining	
10	7010494	2	Pipe, Plug	
11	7001928	2	Pipe, Plug	
12	7000246	2	Gear, In O-Ring	

		Ref	CARRIER ASSEMBLY	
13	7001931	1	Carrier	
14	7001985	6	Thrustwasher, Tanged	
15	7001909	96	Bearing, Needle	
16	7000263	3	Spacer, Thrust	
17	7001911	3	Shaft, Planet	
18	7001987	3	Gear, Cluster	
19	7010474	3	Rollpin	
20	7001988	1	Ring Gear	
21		AR	O-Ring Options:	
	7000230	1	O-Ring (Black)	
	7017070	1	O-Ring (White)	
22	7000209	1	Cover, Input	
23	7010488	1	Gear, Sun	
24	7000269	1	Spacer, Input	
25	7000270	1	Thrustwasher	
26	7000253	2	Thrustwasher	
27	7000217	8	Bolt	
28	7000214	4	Bolt, Shoulder	
29	2200222	1	Pipe, Plug	

100	7024100	1	Seal Kit (Includes Items 2, 9, 21 & 26)	

SECTION 2 TURNTABLE

FIGURE 2-6. SWING MOTOR ASSEMBLY (WHITE ROLLER STATOR) (USA BUILT MACHINES SN 0300087000 TO SN 0300137441) (ORIGINAL EQUIPMENT)



SECTION 2 TURNTABLE

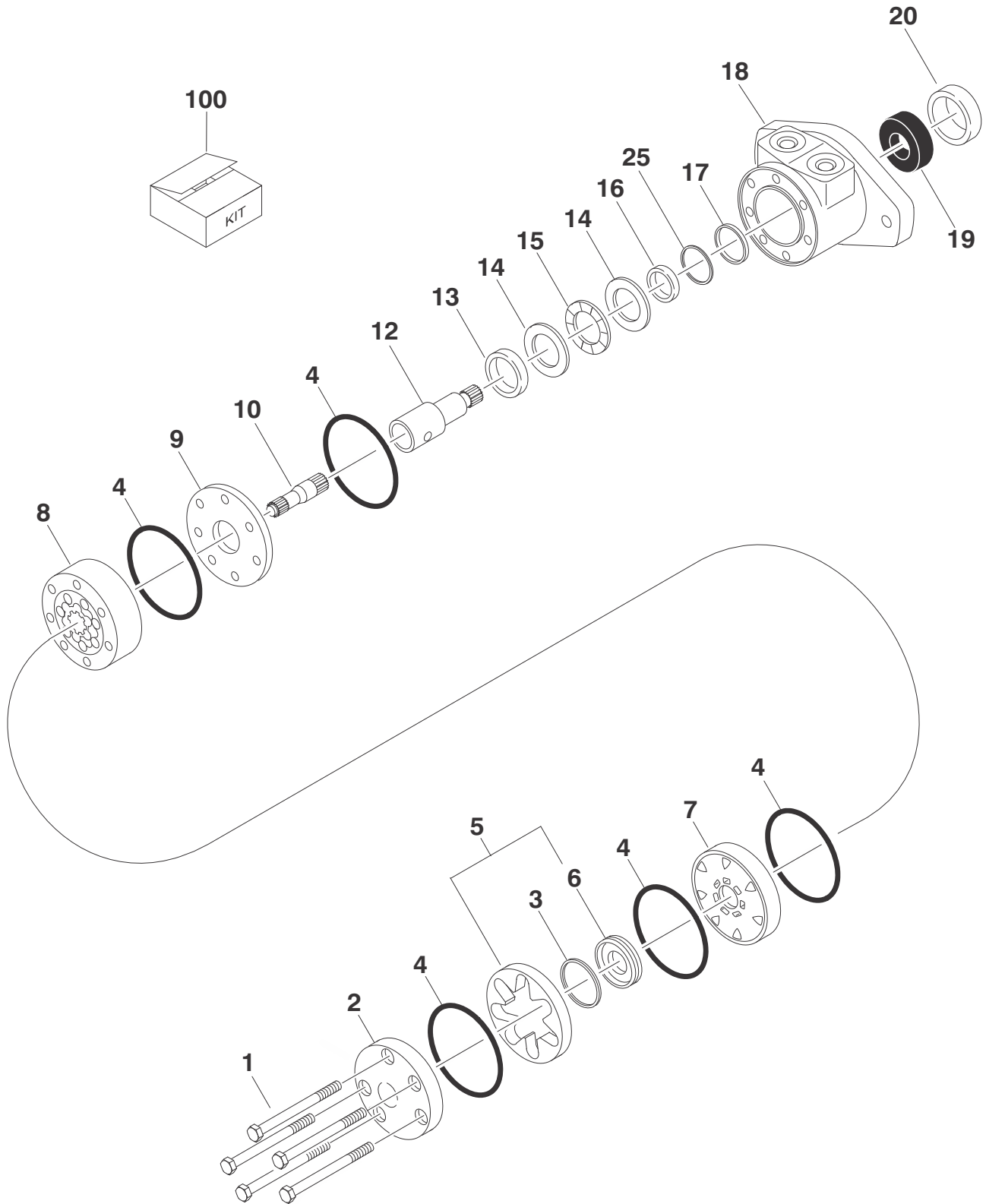
FIGURE 2-6. SWING MOTOR ASSEMBLY (WHITE ROLLER STATOR) (USA BUILT MACHINES SN 0300087000 TO SN 0300137441) (ORIGINAL EQUIPMENT)

ITEM #	PART NUMBER	QTY.	DESCRIPTION	REV.
	3160273	Ref	SWING MOTOR ASSEMBLY (WHITE ROLLER STATOR) Note: Original Equipment motor p/n 3160273 may have been replaced with Service Replacement motor p/n 1001110169. Visually identify motor before ordering parts. Service Replacement motor shown on next illustration	C
		Ref		
1	Use 7005881	1	Seal, Dust	
2	Use 7005881	1	Ring, Split Wire	
3	Use 7005881	1	Shim, Metal Back-Up	
4	Use 7005881	1	Seal, High Pressure	
5	Use 7005881	1	Shim, Metal Back-Up	
6	Use 7005881	1	Seal, Teflon Back-Up	
7	Use 7005881	1	Seal, Shaft	
8	Use 7005881	3	Seal, Body	
9	Use 7005882	1	Carrier, Seal	
10	Use 7005882	1	Thrustwasher	
11	7016422	1	Bearing, Thrust	
12	7005889	1	Link, Drive	
13	7016423	1	Plate, Wear	
14	7005890	1	Rotor Assembly	
15	7005891	1	Pin, Drive Link	
16	Use 7016424	1	Ball	
17	Use 7016424	1	Cover, End	
18	See Note	1	Tag, I.D. (Note: Not Available for Purchase.)	
19	7005892	4	Bolt	
20	7016425	1	Housing	
21	7005893	1	Plug, Cooling	
22	7016426	1	Shaft	

100		AR	Seal Kit Options:	
100A	7005881	1	Seal Kit (Includes Items 1-8)	
100B	7005882	1	Seal Carrier Kit (Includes Items 9 & 10)	
101		AR	Repair Kit Options:	
101A	7016424	1	End Cover Kit (Includes Items 16 & 17)	
101B	7016427	1	Housing/Shaft Kit (Includes Items 20-22)	

SECTION 2 TURNTABLE

FIGURE 2-7. SWING MOTOR ASSEMBLY (PARKER) (USA BUILT MACHINES SN 0300087000 TO SN 0300137441) (SERVICE REPLACEMENT)



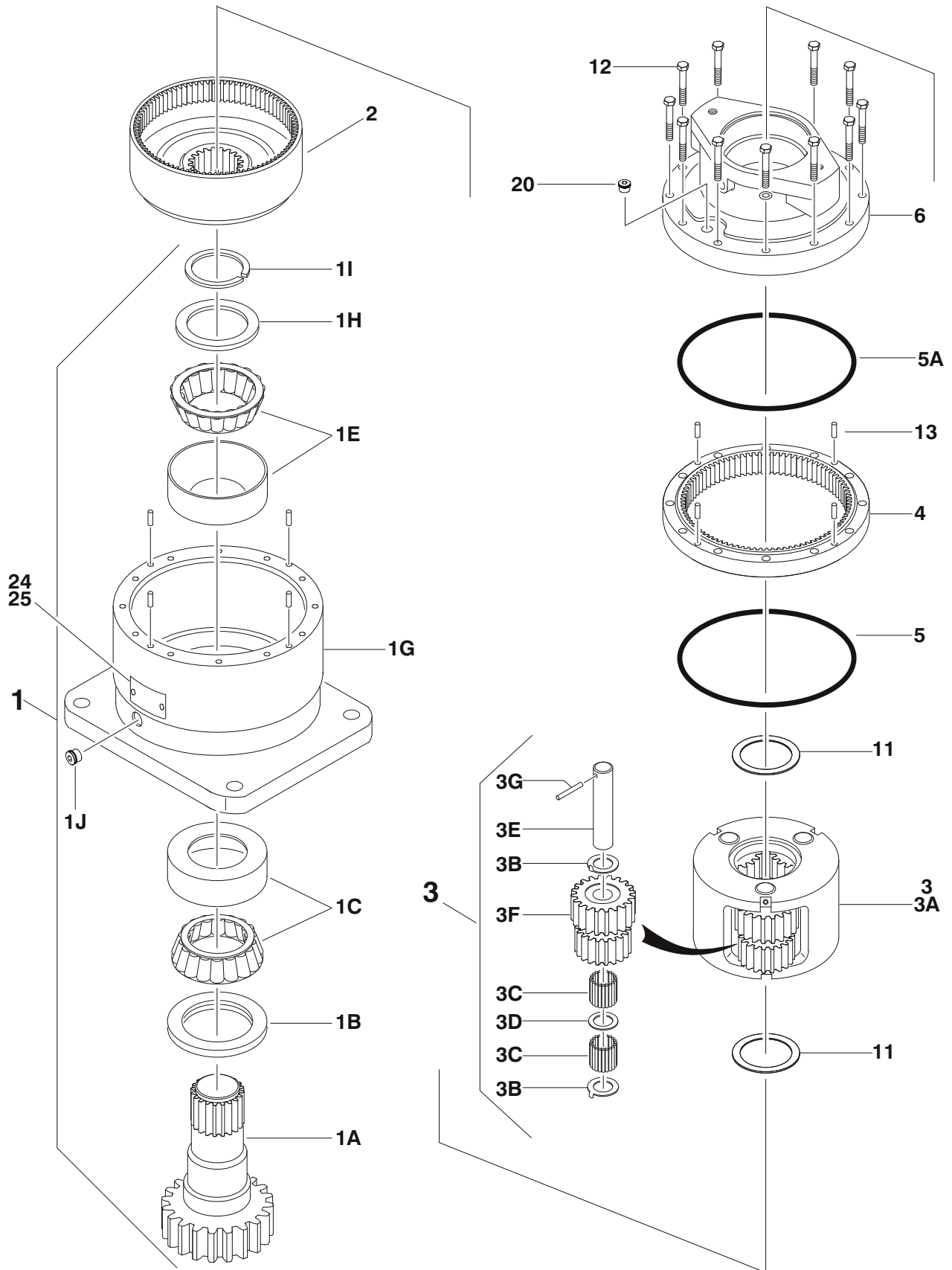
SECTION 2 TURNTABLE

FIGURE 2-7. SWING MOTOR ASSEMBLY (PARKER) (USA BUILT MACHINES SN 0300087000 TO SN 0300137441) (SERVICE REPLACEMENT)

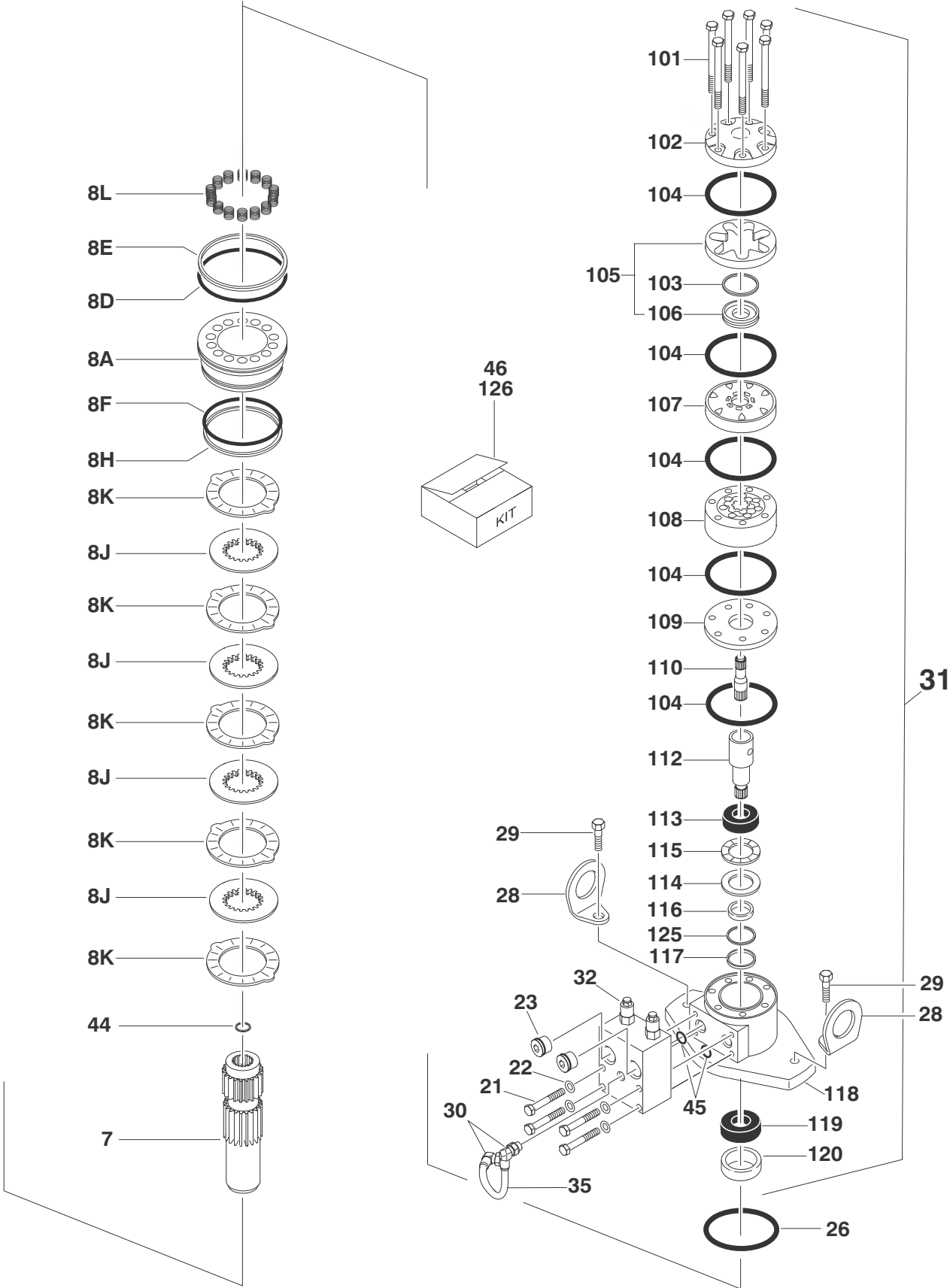
ITEM #	PART NUMBER	QTY.	DESCRIPTION	REV.
	1001110169	Ref	SWING MOTOR ASSEMBLY (PARKER) Note: Original Equipment motor p/n 3160273 may have been replaced with Service Replacement motor p/n 1001110169. Visually identify motor before ordering parts. Service Replacement motor shown on next illustration	A
		Ref		
1	70002243	5	Bolt	
2	7004035	1	Cover, End	
3	Use 7024389	1	Seal, Commutator	
4	Use 7024389	5	Seal, Ring	
5	7024453	1	Commutator and Ring Assembly	
6	Use 7024453	1	Ring	
7	7024379	1	Manifold	
8	70002208	1	Rotor Set	
9	7024380	1	Plate, Wear	
10	83304150	1	Link, Drive	
11	Not Used			
12	7024395	1	Shaft, Coupling	
13	7024381	1	Bushing, Bronze	
14	7004043	2	Thrustwasher	
15	7004044	1	Bearing, Thrust	
16	Use 7024389	1	Seal, Inner	
17	Use 7024389	1	Washer, Back-up	
18	See Note	1	Housing (Note: Not Available - Purchase Complete Motor.)	
19	7024390	1	Bearing	
20	Use 7024389	1	Seal	
21 to 24	Not Used			
25	Use 7024389	1	Washer, Backup	
26 to 99	Not Used			
100	7024389	1	Seal Kit (Includes Items 3, 4, 16,17, 20 & 25)	

SECTION 2 TURNTABLE

FIGURE 2-8. SWING MOTOR/BRAKE/HUB ASSEMBLY (USA BUILT MACHINES SN 0300137441 TO SN 0300171769 & CHINA BUILT MACHINES SN B300000100 TO PRESENT)



SECTION 2 TURNTABLE



SECTION 2 TURNTABLE

FIGURE 2-8. SWING MOTOR/BRAKE/HUB ASSEMBLY (USA BUILT MACHINES SN 0300137441 TO SN 0300171769 & CHINA BUILT MACHINES SN B300000100 TO PRESENT)

ITEM #	PART NUMBER	QTY.	DESCRIPTION	REV.
	1001101061	Ref	SWING MOTOR/HUB ASSEMBLIES	A
1	See Note	1	Housing/Shaft Assembly (Note: Not Available - Purchase p/n 1001101061 Complete Replacement. See 1A-1J for Available Components.)	
1A	7010492	1	Shaft, Output	
1B	7000228	1	Seal, Lip	
1C	7000255	1	Bearing Kit (Includes Cup & Cone)	
1D	Not Used			
1E	7000257	1	Bearing Kit (Includes Cup & Cone)	
1F	Not Used			
1G	See Note	1	Housing (Note: Not Available - Purchase Complete Swing Motor/Hub Assembly.)	
1H	7007633	1	Thrustwasher	
1I	7000229	1	Ring, Retaining	
1J	7017072	1	Plug, Pipe	
2	7000246	1	Gear, Internal	
3	80424002	1	Carrier Assembly	
3A	7001931	1	Carrier	
3B	7001985	6	Washer, Tanged	
3C	7001909	96	Bearing, Needle	
3D	7000263	3	Thrustwasher	
3E	7001911	3	Shaft, Planet	
3F	7001912	3	Gear, Cluster	
3G	7010474	3	Rollpin	
4	7000248	1	Gear, Ring	
5	7000230	1	O-Ring (Black)	
5A	7017070	1	O-Ring (White)	
6	See Note	1	Housing, Brake (Note: Not Available - Purchase Complete Swing Motor/Hub Assembly.)	
7	70002065	1	Gear, Sun	
8	See Note	1	Brake Components (Note: Not Available for Purchase. See 8A-8L for Available Components.)	
8A	70000782	1	Piston, Brake	
8B	Not Used			
8C	Not Used			
8D	70002070	1	O-Ring	
8E	70002071	1	Ring, Back-up	
8F	70002073	1	O-Ring	
8G	Not Used			
8H	70002072	1	Ring, Back-up	
8I	Not Used			
8J	70002067	4	Rotor, Brake	
8K	70002068	5	Stator, Brake	
8L	70002066	14	Spring, Brake	
9 to 10	Not Used			
11	7000253	2	Thrustwasher	
12	7000217	12	Bolt 5/16in-18NC x 2-1/4in (Grade 8)	
13	7017080	4	Pin, Dowel	

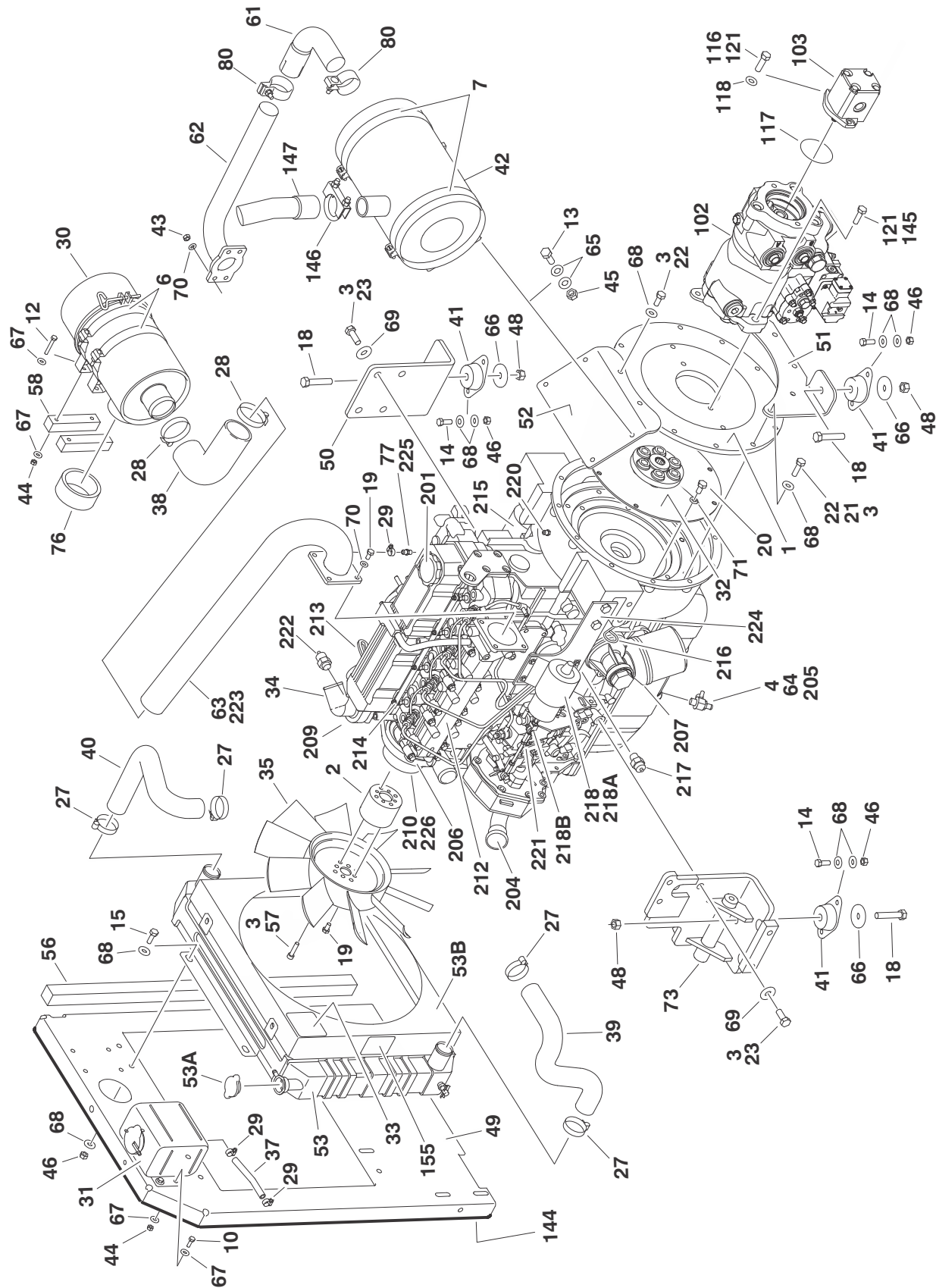
SECTION 2 TURNTABLE

FIGURE 2-8. SWING MOTOR/BRAKE/HUB ASSEMBLY (USA BUILT MACHINES SN 0300137441 TO SN 0300171769 & CHINA BUILT MACHINES SN B300000100 TO PRESENT)

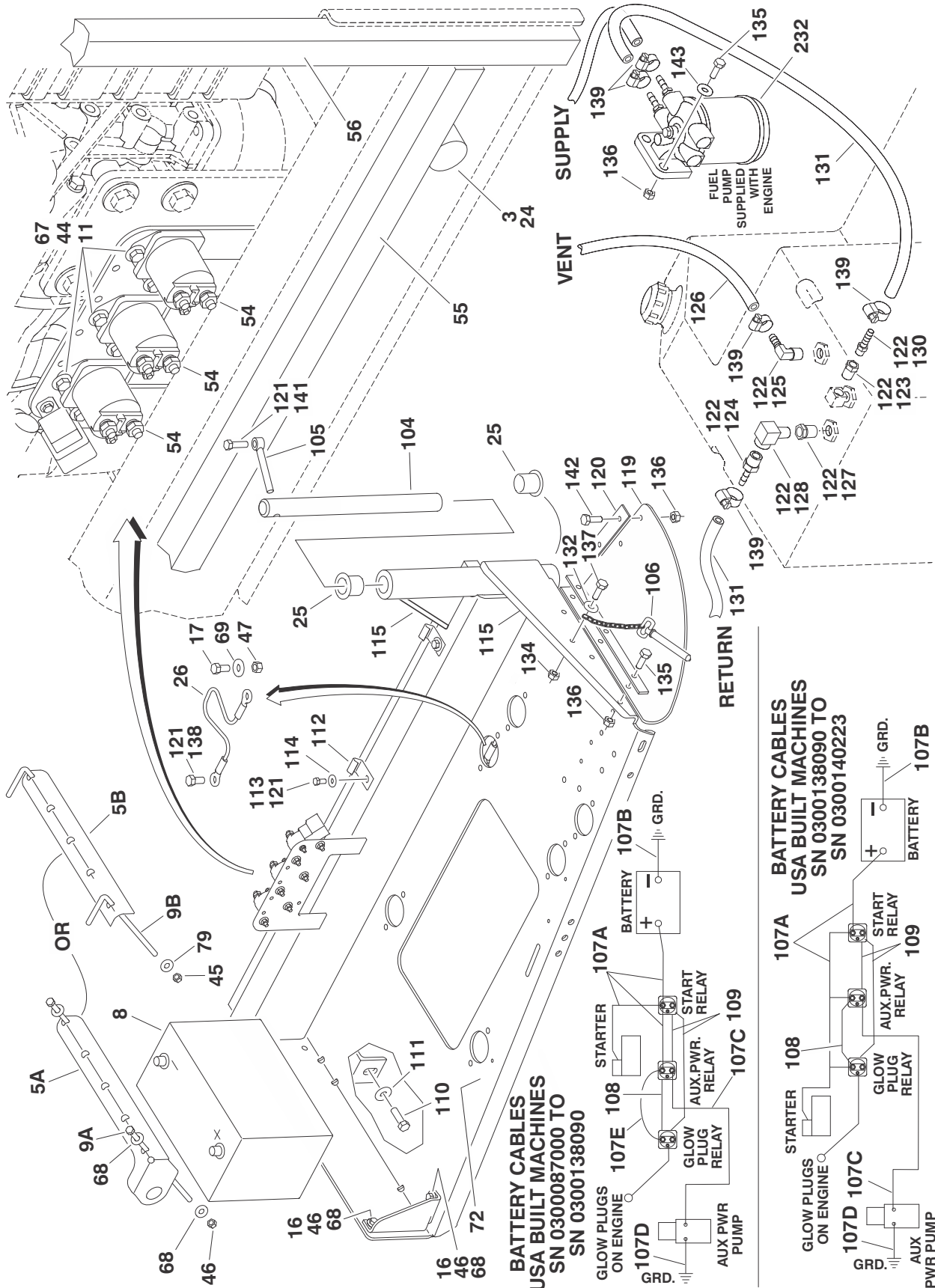
ITEM #	PART NUMBER	QTY.	DESCRIPTION	REV.
14 to 19	Not Used			
20	7017072	1	Plug, Pipe	
21	7024704	4	Bolt 5/16in-18NC x 2in (Grade 8)	
22	See Note	4	Lockwasher (Note: Not Available - Purchase Locally.)	
23	7017023	2	Plug, Pipe	
24	See Note	1	Plate, ID (Note: Not Available for Purchase.)	
25	7000281	2	Screw, Drive	
26	7024763	1	O-Ring	
27	Not Used			
28	See Note	2	Lug, Lifting (Note: Not Available for Purchase.)	
29	70002069	2	Bolt 1/2in-13NC x 2in (Grade 8)	
30	7017085	2	Elbow	
31	70002075	1	Motor Assembly (See Items 101-121 for Breakdown)	
32	7024784	1	Valve (No Serviceable Parts)	
33	7017082	1	Plug, Pipe (Not Shown)	
34	Not Used			
35	70002074	1	Tube	
36 to 43	Not Used			
44	7017028	1	Ring, Retaining	
45	7000213	2	O-Ring	
46	7024100	1	Seal Kit - Swing Hub (Includes Items 1B, 5, 5A & 11)	
	70002075	Ref	MOTOR ASSEMBLY	
101	7024454	6	Bolt	
102	7004035	1	Cover, End	
103	Use 7024396	1	Seal, Commutator	
104	Use 7024396	5	Seal, Ring	
105	7024453	1	Commutator and Ring Assembly	
106	Use 7024453	1	Ring	
107	7024379	1	Manifold	
108	7024455	1	Rotor Set	
109	7024380	1	Plate, Wear	
110	7024456	1	Link, Drive	
111	Not Used			
112	7024458	1	Shaft, Coupling	
113	7024381	1	Bushing, Bronze	
114	7004043	1	Thrustwasher	
115	7004044	1	Bearing, Thrust	
116	Use 7024396	1	Seal, Inner	
117	Use 7024396	1	Washer, Back-up	
118	See Note	1	Housing (Note: Not Available - Purchase Complete Motor Assembly.)	
119	7024390	1	Bearing	
120	Use 7024396	1	Seal	
121 to 124	Not Used			
125	Use 7024396	1	Washer, Back-up	
126	7024396	1	Seal Kit, Motor (Includes Items 103, 104, 116, 117, 120 & 125)	

SECTION 2 TURNTABLE

FIGURE 2-9. CATERPILLAR ENGINE INSTALLATION (USA BUILT MACHINES SN 0300087000 TO SN 0300140223)



SECTION 2 TURNTABLE



SECTION 2 TURNTABLE

FIGURE 2-9. CATERPILLAR ENGINE INSTALLATION (USA BUILT MACHINES SN 0300087000 TO SN 0300140223)

ITEM #	PART NUMBER	QTY.	DESCRIPTION	REV.
		Ref	CATERPILLAR ENGINE ASSEMBLIES:	
		Ref	Caterpillar 3044 Tier III (SN 0300087000 to SN 0300134794	
	0274491	Ref	Without Arctic Package	L
	0275256	Ref	With Arctic Package	I
		Ref	Caterpillar C3.4 Tier IVi (SN 03000134794 to SN 0300140223)	
	1001105993	Ref	Without Arctic Package	D
	1001106338	Ref	With Arctic Package	D
1	0080181	1	Adapter, Pump Mounting Plate	
2	0080243	1	Adapter, Fan Spacer	
3	0100011	AR	Compound, Locking	
4	0100020	AR	Sealant, Thread	
5		1	Hold-down, Battery Options:	
5A	0181727		SN 0300087000 to SN 0300110251	
5B	91401281		SN 0300110251 to SN 0300140223	
6	0340041	2	Band, Mounting	
7	0340046	2	Band, Muffler	
8	0400075	1	Battery	
9		2	Hardware, Battery Hold-down Options:	
9A	0630498		SN 0300087000 to SN 0300110251 (Bolt)	
9B	1001093382		SN 0300110251 to SN 0300140223 (J-Hook)	
10	0641406	4	Bolt 1/4in-20NC x 3/4in	
11	0641407	6	Bolt 1/4in-20NC x 7/8in	
12	0701414	4	Bolt 1/4in-20NC x 3/4in	
13	0641507	4	Bolt 5/16in-18NC x 7/8in	
14	0641608	AR	Bolt 3/8in-16NC x 1in	
15	0641609	4	Bolt 3/8in-16NC x 1-1/8in	
16	0641610	4	Bolt 3/8in-16NC x 1-1/4in	
17	0641808	1	Bolt 1/2in-13NC x 1in	
18	0641820	4	Bolt 1/2in-13NC x 2-1/2in	
19	0700808	AR	Bolt M8 x 16mm	
20	0701010	8	Bolt M10 x 20mm	
21	0701012	4	Bolt M10 x 25mm	
22	0701015	8	Bolt M10 x 35mm	
23		AR	Bolt Options:	
	0701214	8	SN 0300087000 to SN 0300098804 (Bolt M12 x 30mm)	
	0711214	8	SN 0300098804 to SN 0300111361 (Bolt M12 x 30mm) SN 0300111361 to SN 0300140223	
	0711214	5	Bolt M12 x 30mm	
	0771212	3	Bolt M12 x 25mm	
24	0940070	1	Bumper, Rubber	
25	0961986	2	Bearing, Flange	
26	1060637	1	Lanyard	
27	8405104	4	Clamp, Hose	
28	1320016	2	Clamp, Hose	
29	8405009	2	Clamp, Hose	
30	1340060	1	Air Cleaner Assembly	
	7012664	1	Element, Air Cleaner	

SECTION 2 TURNTABLE

FIGURE 2-9. CATERPILLAR ENGINE INSTALLATION (USA BUILT MACHINES SN 0300087000 TO SN 0300140223) (CONTINUED)

ITEM #	PART NUMBER	QTY.	DESCRIPTION	REV.
31	1580011	1	Container, Coolant Overflow	
32	1660239	1	Coupling, Pump	
33	1703162	2	Decal - Fan Blade	
34		1	Caterpillar Engine Assembly Options:	
	Use 1001109762		SN 0300087000 to SN 0300104804 (was p/n 2000194)	
	Use 1001109762		SN 0300104804 to SN 0300134794 (was p/n 2000386)	
	1001100313		SN 0300134794 to SN 0300140223	
35	2060025	1	Fan	
36	Not Used			
37	2720058	.33ft	Hose	
38	2720434	1	Elbow, Rubber	
39	2720509	1	Hose, Radiator (Bottom)	
40		1	Hose, Radiator (Top) Options:	
	2720510		Caterpillar 3044 Tier III SN0300087000 to SN 0300134794	
	1001107705		Caterpillar C3.4 Tier IVi SN 0300134794 to SN 0300140223	
41	3200406	4	Mount, Engine	
42		1	Muffler Options:	
	3220113		Muffler, Spark Arresting (Standard)	
	70001017	1	Clamp	
	1001107116		Muffler, Catalytic (Optional) (was p/n 3220154)	
	70002705	1	Clamp	
	70002706	1	Plug	
43	3290801	4	Nut M8 x 1.25	
44	3311405	14	Locknut 1/4in-20NC	
45		AR	Locknut Options:	
	3311505		Locknut 5/16in-18NC	
	88521205		Locknut with Nylon Lock 5/16in-18NC	
46	3311605	AR	Locknut Options:	
47	3311801	1	Nut 1/2in-13NC	
48	3311805	4	Locknut 1/2in-13NC	
49	3539872	1	Plate, Radiator Mounting	
50	3574206	1	Plate, Motor Mount	
51	3574207	1	Plate, Engine Mount (Rear)	
52	3574208	1	Bracket, Muffler	
53	3620047	1	Radiator	
53A	7027412	1	Cap	
53B	70004182	1	Shroud, Fan	
54	3740067	3	Relay, Solenoid Assembly	
55	3960468	1	Seal, Foam Gasket	
56	3960469	1	Seal, Foam Gasket	
57	4031911	4	Bolt M8 x 35mm	
58	4220191	2	Block, Spacer	
59 to 60	Not Used			
61	4567073	1	Tube, Exhaust	
62	4568721	1	Exhaust Tube Weldment	
63	4569177	1	Tube, Air Intake Weldment (SN 0300087000 to SN 0300104804 Only)	

SECTION 2 TURNTABLE

FIGURE 2-9. CATERPILLAR ENGINE INSTALLATION (USA BUILT MACHINES SN 0300087000 TO SN 0300140223) (CONTINUED)

ITEM #	PART NUMBER	QTY.	DESCRIPTION	REV.
64	Use 4640750	1	Valve, Oil Drain (was p/n 1001105833)	
65	4711500	8	Flatwasher 5/16in Thin	
66	4740274	4	Washer, Snubbing	
67	4751400	28	Flatwasher 1/4in Regular	
68	4751600	AR	Flatwasher 3/8in Regular	
69		8	Flatwasher Options:	
	4751800		Flatwasher 1/2in Regular (SN 0300087000 to SN 0300098804)	
	4812100		Flatwasher M12 (SN 0300098804 to SN 0300140223)	
70	4811900	AR	Flatwasher M8	
71	4832000	8	Lockwasher M10	
72	4846790	1	Tray Engine	
73	4846805	1	Mount, Engine/Generator - Left	
74	4922737	1	Harness, Relay Ground (Not Shown) (SN 0300087000 to SN 0300134794)	
75	0721006	1	Bolt #10-24NC x 3/4in	
76	2720515	1	Seal, Air Cleaner	
77	2220767	1	Fitting	
78	Not Used			
79	4751500	2	Flatwasher 5/16in Regular	
80	70001017	2	Clamp	
81 to 90	Not Used	Ref	Note: Arctic Package Items 91-97 Not Shown - Used on Arctic Machines Only.	
91	1060626	1	Cord, 3-Way Extension (Located on Left Front of Engine)	
92	1320223	2	Clamp	
93	2300041	2.6gal/9.96Li	Fluid 60/40 Arctic Antifreeze	
94	2580024	1	Heater, Battery (Located on Battery)	
95	2580055	1	Heater, Block (Located on Left Side of Engine)	
96	3020044	2.5gal/9.4Li	Oil, Motor 0W-40	
97	3980007	1	Seat, Battery (Located Under Battery)	
		Ref	CATERPILLAR ENGINE INSTALLATIONS	
		Ref	Caterpillar 3044 Tier III (SN 0300087000 to SN 0300134794)	
	0274492	Ref	2WD (Without Arctic Package)	3
	0274493	Ref	4WD (Without Arctic Package)	4
	0275342	Ref	4WD (With Arctic Package)	2
		Ref	Caterpillar C3.4 Tier IVi (SN 0300134794 to SN 0300140223)	
	1001107236	Ref	2WD (Without Arctic Package)	3/B
	1001107229	Ref	4WD (Without Arctic Package)	3/B
	1001107237	Ref	4WD (With Arctic Package)	3/B
101	Not Used			
102		1	Piston Pump Assy Options (See PISTON PUMP ASSEMBLY for Breakdown):	
	3600388		2WD Pump without Fittings	
	3600394		2WD Pump with Fittings	
	3600381		4WD Pump without Fittings	
	3600396		4WD Pump with Fittings	

SECTION 2 TURNTABLE

FIGURE 2-9. CATERPILLAR ENGINE INSTALLATION (USA BUILT MACHINES SN 0300087000 TO SN 0300140223) (CONTINUED)

ITEM #	PART NUMBER	QTY.	DESCRIPTION	REV.
103		1	Gear Pump Assy Options (See GEAR PUMP ASSEMBLY for Breakdown):	
	3600242		Pump without Fittings	
	3600395		Pump with Fittings	
104	3422446	1	Pin, Pivot	
105	3841143	1	Keeper, Pin	
106	3422532	1	Pin, Hitch	
107	2902296	1	Battery Cable Kit	
		Ref	Note: 2902296 Rev A version is no longer available. Verify weather machine is equipped with 2 or 3 relays on the engine tray. If there are 3 relays, purchase latest revision of 2902296 kit. If there are 2 relays, purchase individual items as replacement.	
107A	1001116241	1	Cable, Battery (Red) (Machines with 2 Relays on Engine Tray) (was p/n 7027000)	
	1001116240	1	Cable, Battery (Red) (Machines with 3 Relays on Engine Tray) (was p/n 7027000)	
107B	7027004	1	Cable, Battery (Black)	
107C	7027002	1	Cable (Red)	
107D	7027003	1	Cable (Black)	
107E	7027001	1	Cable (Red) (No Longer Part of 2902296 Kit - Use SN 0300087000 to SN 0300138090 Only)	
108	1060904	1	Cable, Battery	
109	4922737	1	Harness, Relay Ground	
110	0642010	1	Bolt 5/8in-11NC x 1-1/4in	
111	4752000	1	Flatwasher 5/8in Regular	
112	1320223	AR	J-Clip 1/2in	
113	0641606	3	Bolt 3/8in-16NC x 3/4in	
114	4711600	3	Flatwasher 3/8in Thin	
115	4060805	2ft/0.7mm	Flex-Trim 1/4in	
116	3931620	2	Bolt 3/8in-16NC x 1-1/4in	
117	3790152	1	O-Ring	
118	4891600	2	Flatwasher 3/8in Hardened	
119	3380429	1	Panel, Rubber	
120	3539957	2	Plate, Support	
121	0100011	AR	Compound, Locking	
122	0100020	AR	Sealant, Thread	
123		2	Fitting, Reducer Options:	
	2220273		SN 0300087000 to SN 0300134794	
	Use Item 130		SN 0300134794 to SN 0300140223	
124		2	Fitting, Straight Options:	
	2180536		SN 0300087000 to SN 0300134794	
	2221176		SN 0300134794 to SN 0300140223	
125	2220313	1	Fitting, 90	
126	2750532	6ft./1.8m	Hose 3/8in	
127		1	Fitting, Reducer Options:	
	2220250		SN 0300087000 to SN 0300134794	
	Use Item 124		SN 0300134794 to SN 0300140223	

SECTION 2 TURNTABLE

FIGURE 2-9. CATERPILLAR ENGINE INSTALLATION (USA BUILT MACHINES SN 0300087000 TO SN 0300140223) (CONTINUED)

ITEM #	PART NUMBER	QTY.	DESCRIPTION	REV.
128	2220549 2220459 Use Item 124	1	Fitting, 90 Options: SN 0300087000 to SN 0300093958 SN 0300093958 to SN 0300134794 SN 0300134794 to SN 0300140223	
129	2720271	15ft./4.6m	Hose 3/16in	
130	2220794 2180348	1	Fitting, Barbed Options: SN 0300087000 to SN 0300134794 SN 0300134794 to SN 0300140223	
131	2720058	16ft/4.9m	Hose	
132	4751400	4	Flatwasher 1/4in Regular	
133	0641608	2	Bolt 3/8in-16NC x 1in	
134	3311405	1	Locknut 1/4in-20NC	
135	0641507	5	Bolt 5/16in-18NC x 1-1/4in	
136	3311505	8	Locknut 5/16in-18NC	
137	0641407	1	Bolt 1/4in-20NC x 7/8in	
138	0641808	1	Bolt 1/2in-13NC x 1in	
139	1320022	7	Clamp, Hose	
140	1701505	1	Decal - Diesel (Not Shown - Located on Hood)	
141	0641610	1	Bolt 3/8in-16NC x 1-1/4in	
142	0641514	3	Bolt 5/16in-18NC x 1-3/4in	
143	4751500	3	Flatwasher 5/16in Regular	
144	3960389	5ft/1.5m	Seal, Hood	
145	0641812	2	Bolt 1/2in-13NC x 1-3/4in	
146	1320176	1	Clamp (SN 0300093958 to SN 0300140223)	
147	3460544	1	Pipe, Exhaust (SN 0300093958 to SN 0300140223)	
		Ref	Note: Arctic Package Items 148 - 153 Not Shown - Used on Arctic Machines Only.	
148	1702943	1	Decal - Hydraulic Tank Heater	
149	2580050	1	Heater, Hydraulic Tank	
150	1702941	1	Decal - Battery Heater	
151	1702944	1	Decal - Heater Cord	
152	1702942	1	Decal - Engine Block Heater	
153	1060625	1	Cable, Immersion Heater	
154	Not Used			
155	1704972 1706098 1706059 1706060 1706064 1706062 1706061 1706063	1	Decal - Warning Explosion/Fire Options: ANSI Spec Australian & CE Spec Brazilian Spec Chinese Spec CSA Spec Japanese Spec Korean Spec Spanish Language	

SECTION 2 TURNTABLE

FIGURE 2-9. CATERPILLAR ENGINE INSTALLATION (USA BUILT MACHINES SN 0300087000 TO SN 0300140223) (CONTINUED)

ITEM #	PART NUMBER	QTY.	DESCRIPTION	REV.
		Ref	ENGINE COMPONENTS	
	2000194	Ref	Caterpillar 3044 Tier III SN 0300087000 to SN 0300104804	E
	2000386	Ref	Caterpillar 3044 Tier III SN 0300104804 to SN 0300134794	B
	1001100313	Ref	Caterpillar C3.4 Tier IVi SN 0300134794 to SN 0300140223	C
201	7026800	1	Cap Oil Filler	
202	7026802	1	Flywheel	
	7026803	1	Gear, Flywheel	
203	7026804	1	Gasket (Not Shown - Between Flywheel Housing & Engine Block)	
	7026805	1	Seal (Not Shown - Rear of Flywheel Housing)	
204	7026806	1	Cap, Filler	
	7026807	1	Seal, Oil (Located in Front Housing)	
205	7026808	1	Plug, Oil Pan	
	7026809	1	Gasket, Oil Plug	
206	7026810	1	V-Belt	
207	7026811	1	Filter, Oil	
	7026812	1	O-Ring (Between Bolt & Oil Filter Bracket)	
	7026813	1	O-Ring (Between Oil Filter Bracket & Engine Block)	
208	7026819	1	Engine Cooler Assembly (Not Shown)	
	7026816	2	O-Ring (Between Cover & Cooler)	
	7026817	4	O-Ring (Between Cover & Cooler)	
	7026818	1	Gasket (Between Cover & Engine Block)	
209	7026822	1	Thermostat	
	7026821	1	Gasket (Between Regulator & Thermostat Housing)	
	7026820	1	Gasket (Between Regulator & Engine Head)	
210		1	Pump, Water Options: Caterpillar Engine p/n 2000194	
	7026823		Caterpillar Engine SNs (Not Machine SN) Prior to SN 3440833	
	70001120		Caterpillar Engine SNs (Not Machine SN) SN 3440833 to Present	
	70001120		Caterpillar Engine p/ns 2000386 & 1001100313	
	7026824	1	Gasket, Water Pump Cover (Use with p/n 7026823 Pump)	
	7026825	1	Gasket, Water Pump (Use with p/n 7026823 Pump)	
	70002765	1	Hose, By-Pass (Not Shown)	
211	7026826	1	Gasket, Exhaust Manifold	
	7026827	1	Gasket, Exhaust	
	70002852	4	Stud, Exhaust Manifold	
212	7026829	1	Gasket, Intake Manifold	
	7026828	1	Gasket, Intake	
213	7026831	1	Alternator	
214	7026832	4	Plug, Glow	
215	7026833	1	Starter	
216		1	Dipstick Oil Level Options: Dipstick for 2000194 Engines	
	7026834		Dipstick for 2000194 Engines	
	7026888		Dipstick for 2000386 Engines	
	70002844		Dipstick for 1001100313 Engines	
	70002843	1	Seal, Dipstick Tube	

SECTION 2 TURNTABLE

FIGURE 2-9. CATERPILLAR ENGINE INSTALLATION (USA BUILT MACHINES SN 0300087000 TO SN 0300140223) (CONTINUED)

ITEM #	PART NUMBER	QTY.	DESCRIPTION	REV.
217	7026814	1	Relief Valve, Oil Pressure	
	7026815		Gasket, Relief Valve	
	1001097554		Sensor, Oil Pressure (Not Shown)	
218	1600361	1	Actuator/Linkage Assembly - Throttle	
218A	Use 1600361		Actuator & Electrical Connector Kit (was p/n 7026842)	
	7026835	1	Connector, Actuator	
218B	7026843		Linkage Kit	
219	Not Used			
220	7026841	1	Sensor, Speed Sensor	
	7026836	1	Connector, Speed Sensor	
221	70002849	1	Pump, Fuel Injection	
	70002847	1	O-Ring, Fuel Injection Pump Flange	
	70002848	1	Gasket, Fuel Injection Pump	
	70002850	1	Solenoid, Fuel Shut-Off	
222	7026840	1	Sensor, Water Temperature	
	7026882	1	Seal, Sensor	
223	4569371	1	Tube, Air Intake Weldment (2000386 & 1001100313 Engines)	
224	Use 7026887	1	Mounting Bracket, Actuator (was p/n 0902910 & 0903220)	
225	70001051	1	Valve, Air Intake Check	
226	70001742	1	Pulley, Water Pump	
227	Use 2580055	1	Block Heater Kit (Not Shown) (was p/n 7026845)	
	7026838	1	Gasket, Block Heater (Not Shown)	
	70002841	1	Cord, Electrical (Not Shown)	
228	70002766	1	Head, Cylinder (Not Shown)	
	7026801	1	Gasket, Valve Cover (Not Shown)	
	70002764	1	Gasket, Rear Head (Not Shown)	
	70002767	1	Gasket, Head (Not Shown)	
	70002761	AR	Bolt, Head (Not Shown)	
	70002762	AR	Seat, Valve (Not Shown)	
229	70002845	1	Pump, Oil (Not Shown)	
	70002846	1	O-Ring, Oil Pump (Not Shown)	
230	Not Used			
231	70002851	1	Gasket Kit - Complete (Not Shown)	
232	7026839	1	Pump, Fuel Supply	
	70002763	1	Gasket, Fuel Line (Not Shown)	
	7026830	1	Element, Fuel Filter	
	70002834	1	Bowl, Water Collection	
	70002835	1	Seal Kit - Water Separator	
	70002833	1	Ring, Fuel Pump Retaining	

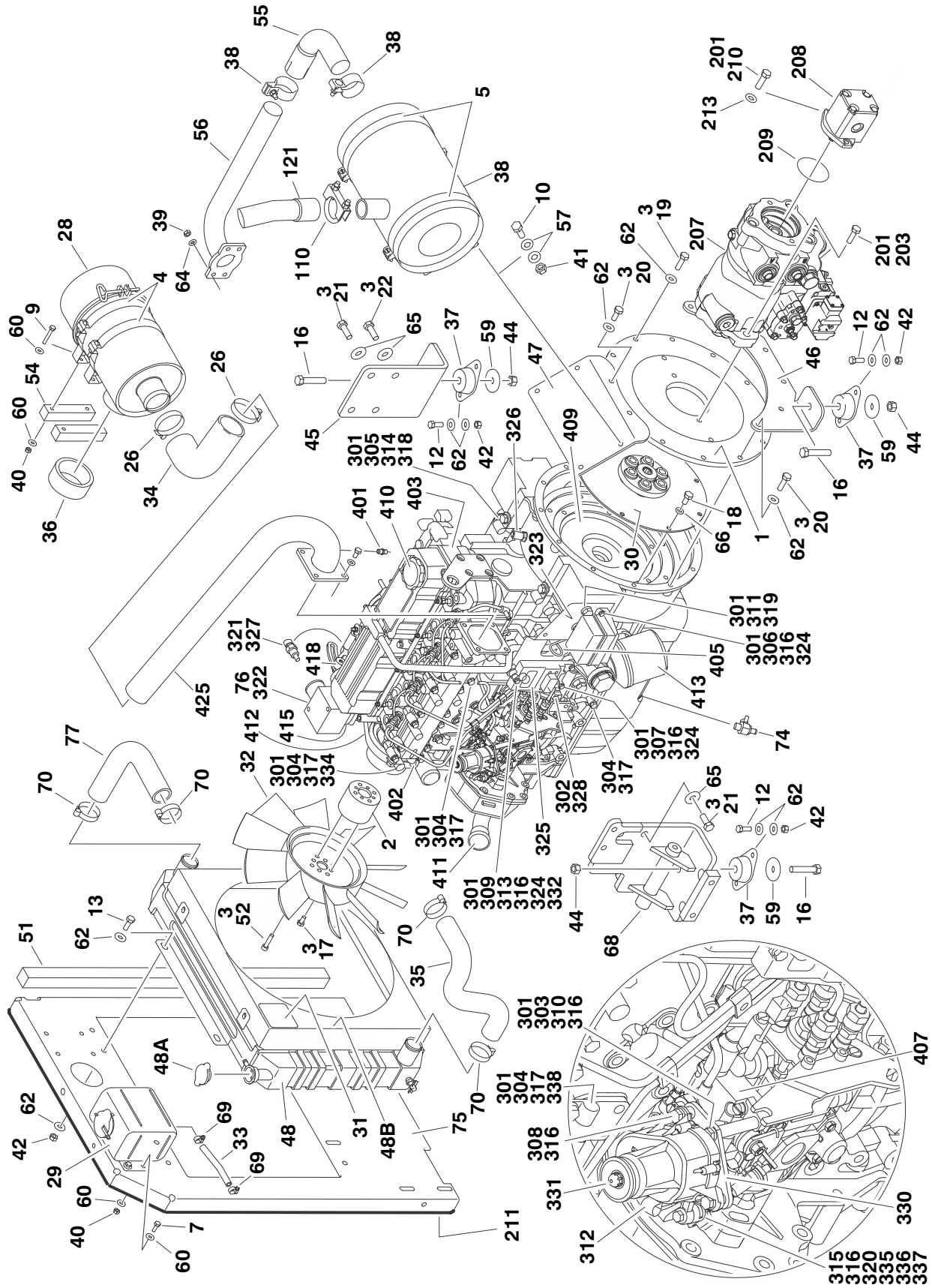
SECTION 2 TURNTABLE

FIGURE 2-9. CATERPILLAR ENGINE INSTALLATION (USA BUILT MACHINES SN 0300087000 TO SN 0300140223) (CONTINUED)

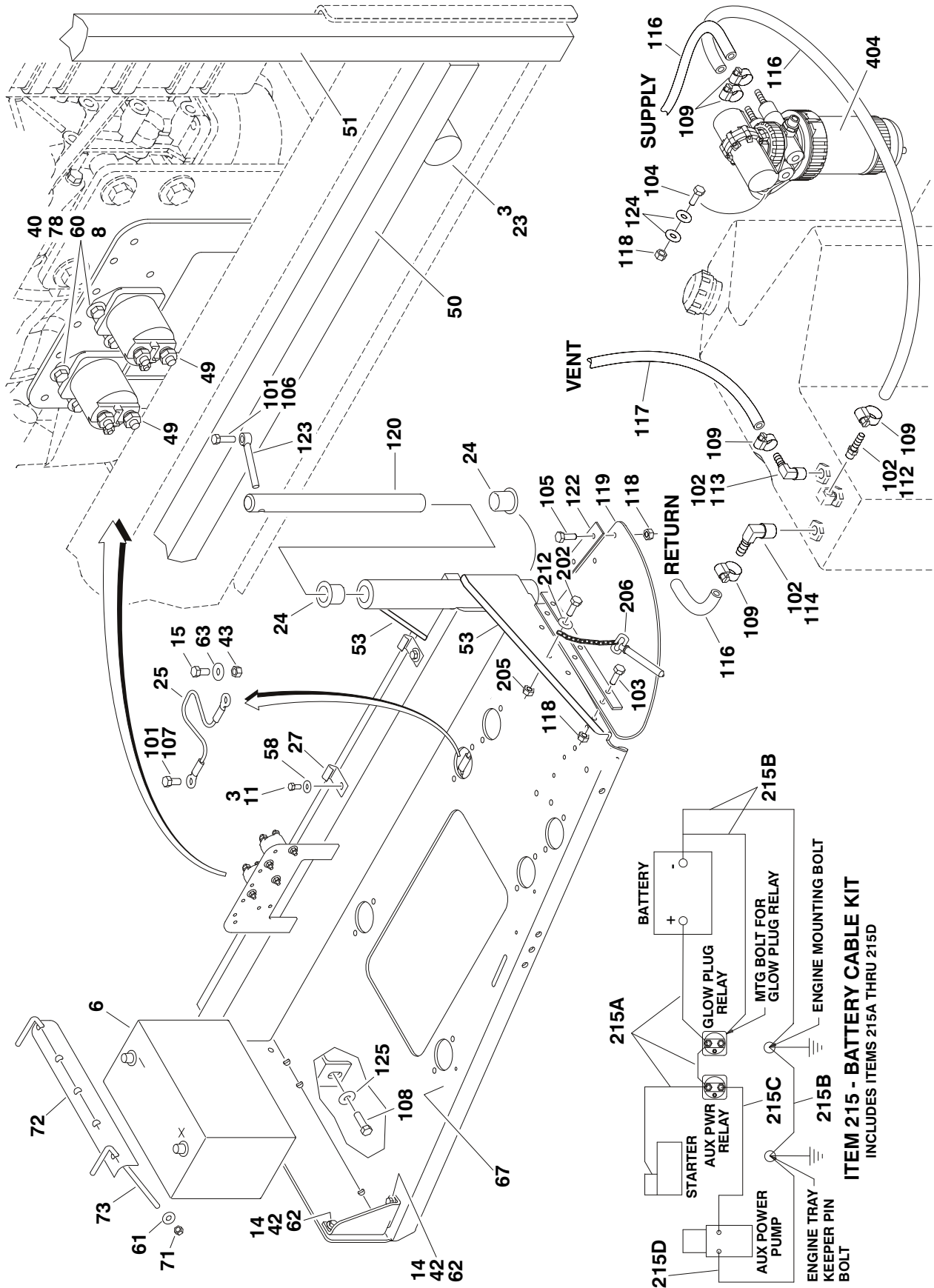
ITEM #	PART NUMBER	QTY.	DESCRIPTION	REV.

SECTION 2 TURNTABLE

FIGURE 2-10. CATERPILLAR ENGINE INSTALLATION (USA BUILT MACHINES SN 0300140223 TO SN 0300171769 & CHINA BUILT MACHINES SN B30000100 TO PRESENT)



SECTION 2 TURNTABLE



SECTION 2 TURNTABLE

FIGURE 2-10. CATERPILLAR ENGINE INSTALLATION (USA BUILT MACHINES SN 0300140223 TO SN 0300171769 & CHINA BUILT MACHINES SN B300000100 TO PRESENT)

ITEM #	PART NUMBER	QTY.	DESCRIPTION	REV.
	1001109065	Ref	CATERPILLAR TIER IVi ENGINE ASSEMBLIES:	D
1	0080181	1	Adapter, Pump Mounting Plate	
2	0080243	1	Adapter, Fan Spacer	
3	0100011	AR	Compound, Locking	
4	0340041	2	Band, Mounting	
5	0340046	2	Band, Muffler	
6	0400075	1	Battery	
7	0641406	4	Bolt 1/4in-20NC x 3/4in	
8	0641407	4	Bolt 1/4in-20NC x 7/8in	
9	0701414	4	Bolt 1/4in-20NC x 3/4in	
10	0641507	4	Bolt 5/16in-18NC x 7/8in	
11	0641606	2	Bolt 3/8in-16NC x 3/4in	
12	0641608	8	Bolt 3/8in-16NC x 1in	
13	0641609	4	Bolt 3/8in-16NC x 1-1/8in	
14	0641610	4	Bolt 3/8in-16NC x 1-1/4in	
15	0641808	1	Bolt 1/2in-13NC x 1in	
16	0641820	4	Bolt 1/2in-13NC x 2-1/2in	
17	0700808	4	Bolt M8 x 16mm	
18	0701010	8	Bolt M10 x 20mm	
19	0701012	4	Bolt M10 x 25mm	
20	0701015	8	Bolt M10 x 35mm	
21	0711214	5	Bolt M12 x 30mm	
22	0771212	3	Bolt M12 x 25mm	
23	0940070	1	Bumper, Rubber	
24	0961986	2	Bearing, Flange	
25	1060637	1	Lanyard	
26	1320016	2	Clamp, Hose	
27	1320223	4	Clamp	
28	1340060	1	Air Cleaner Assembly	
	7012664	1	Element, Air Cleaner	
29	1580011	1	Container, Coolant Overflow	
30	1660239	1	Coupling, Pump	
31	1703162	2	Decal - Fan Blade	
32	2060025	1	Fan	
33	2720058	.33ft	Hose	
34	2720434	1	Elbow, Rubber	
35	2720509	1	Hose, Radiator (Bottom)	
36	2720515	1	Seal, Air Cleaner	
37	3200406	4	Mount, Engine	
38		1	Muffler Options:	
	3220113		Muffler, Spark Arresting (Standard)	
	70001017	1	Clamp (Used on p/n 3220113)	
	1001107116		Muffler, Catalytic (Optional)	
	70002705	1	Clamp	
	70002706	1	Plug	
39	3290801	4	Nut M8	
40	3311405	12	Locknut 1/4in-20NC	

SECTION 2 TURNTABLE

FIGURE 2-10. CATERPILLAR ENGINE INSTALLATION (USA BUILT MACHINES SN 0300140223 TO SN 0300171769 & CHINA BUILT MACHINES SN B300000100 TO PRESENT)

ITEM #	PART NUMBER	QTY.	DESCRIPTION	REV.
41	3311505	4	Locknut 5/16in-18NC	
42	3311605	16	Locknut 3/8in-16NC	
43	3311801	1	Nut 1/2in-13NC	
44	3311805	4	Locknut 1/2in-13NC	
45	3574206	1	Plate, Motor Mount	
46	3574207	1	Plate, Engine Mount (Rear)	
47	3574208	1	Bracket, Muffler	
48	3620047	1	Radiator	
48A	7027412	1	Cap	
48B	70004182	1	Shroud, Fan	
49	3740067	2	Relay, Solenoid Assembly	
50	3960468	1	Seal, Foam Gasket	
51	3960469	1	Seal, Foam Gasket	
52	4031911	4	Bolt M8 x 35mm	
53	4060805	2ft/0.7mm	Flex-Trim 1/4in	
54	4220191	2	Block, Spacer	
55	4567073	1	Tube, Exhaust	
56	4568721	1	Exhaust Tube Weldment	
57	4711500	8	Flatwasher 5/16in Thin	
58	4711600	2	Flatwasher 3/8in Thin	
59	4740274	4	Washer, Snubbing	
60	4751400	24	Flatwasher 1/4in Regular	
61	4751500	2	Flatwasher 5/16in Regular	
62	4751600	44	Flatwasher 3/8in Regular	
63	4751800	1	Flatwasher 1/2in Regular	
64	4811900	4	Flatwasher M8	
65	4812100	8	Flatwasher M12	
66	4832000	8	Lockwasher M10	
67	4846790	1	Tray Engine	
68	4846805	1	Mount, Engine/Generator - Left	
69	8405009	2	Clamp, Hose	
70	8405104	4	Clamp, Hose	
71	88521205	2	Locknut 5/16in-18NC	
72	91401281	1	Hold-Down, Battery	
73	1001093382	2	Rod, Hold-Down	
74	Use 4640750	1	Valve, Oil Drain (was p/n 1001105833)	
	0100020	AR	Sealant, Pipe	
75	1001109595	1	Plate, Radiator Mounting	
76	1001112077	1	Caterpillar Tier IVi Engine Assembly	
77	1001107705	1	Hose, Radiator (Top)	
78	4791400	4	Starwasher 1/4in	
		Ref	CATERPILLAR TIER IVi ENGINE INSTALLATIONS	
	1001110210	Ref	2WD Without Arctic Package	D
	1001110211	Ref	4WD Without Arctic Package	D
	1001110209	Ref	4WD With Arctic Package	D
101	0100011	AR	Compound, Locking	

SECTION 2 TURNTABLE

FIGURE 2-10. CATERPILLAR ENGINE INSTALLATION (USA BUILT MACHINES SN 0300140223 TO SN 0300171769 & CHINA BUILT MACHINES SN B300000100 TO PRESENT)

ITEM #	PART NUMBER	QTY.	DESCRIPTION	REV.
102	0100020	AR	Sealant, Thread	
103	0641507	3	Bolt 5/16in-18NC x 7/8in	
104	0641510	2	Bolt 5/16in-18NC x 1-1/4in	
105	3900272	3	Bolt 5/16in-18NC x 1-3/4in	
106	0641610	1	Bolt 3/8in-16NC x 1-1/4in	
107	0641808	1	Bolt 1/2in-13NC x 1in	
108	0642010	1	Bolt 5/8in-11NC x 1-1/4in	
109	1320022	7	Clamp, Hose	
110	1320176	1	Clamp	
111	1701505	1	Decal - Diesel (Not Shown - Located on Hood)	
112	2180348	1	Fitting	
113	2220313	1	Fitting,90	
114	2221176	1	Fitting	
115		2.6gal.	Fluid, Anti-Freeze Options (Not Shown):	
	2300004		Machines without Arctic Package	
	2300041		Machines with Arctic Package	
116	2720058	30ft/9.1m	Hose	
117	2750532	6ft./1.8m	Hose 3/8in	
118	3311505	8	Locknut 5/16in-18NC	
119	3380429	1	Panel, Rubber	
120	3422446	1	Pin, Pivot	
121	3460544	1	Pipe, Exhaust	
122	3539957	2	Plate, Hold Down	
123	3841143	1	Keeper, Pin	
124	4751500	4	Flatwasher 5/16in Regular	
125	4752000	1	Flatwasher 5/8in Regular	
126	Not Used	Ref	Note: Arctic Package Items 127 - 130 Not Shown - Used on Arctic Machines Only.	
127	1060625	1	Cable, Immersion Heater	
128	1320223	1	J-Clip 1/2in	
129	1702943	1	Decal - Hydraulic Tank Heater (Located on bottom of Hydraulic Oil Tank)	
130	2580050	1	Heater, Hydraulic Tank	
		Ref	CATERPILLAR TIER IVi ENGINE W/PUMPS ASSEMBLIES	
	1001110202	Ref	2WD Without Arctic Package	B
	1001110203	Ref	4WD Without Arctic Package	B
	1001110201	Ref	4WD With Arctic Package	B
201	0100011	AR	Compound, Locking	
202	0641407	1	Bolt 1/4in-20NC x 7/8in	
203	0641812	2	Bolt 1/2in-18NC x 1-3/4in	
204		2.5gal	Oil, Motor Options (Not Shown):	
	3020016		Oil, Motor 15W-40 (Without Arctic Package))	
	3020044		Oil, Motor 0W-40 (With Arctic Package)	
205	3311405	1	Locknut 1/4in-20NC	
206	3422532	1	Pin, Hitch	

SECTION 2 TURNTABLE

FIGURE 2-10. CATERPILLAR ENGINE INSTALLATION (USA BUILT MACHINES SN 0300140223 TO SN 0300171769 & CHINA BUILT MACHINES SN B300000100 TO PRESENT)

ITEM #	PART NUMBER	QTY.	DESCRIPTION	REV.
207		1	Piston Pump Assy Options (See PISTON PUMP ASSEMBLY for Breakdown):	
	3600394	1	2WD	
	1001117799	1	4WD	
208	3600395	1	Gear Pump Assembly (See Gear Pump Assembly for Breakdown)	
209	3790152	1	O-Ring	
210	3931620	2	Bolt 3/8in-16NC x 1-1/4in	
211	3960389	5ft/1.5m	Seal, Hood	
212	4751400	1	Flatwasher 1/4in Regular	
213	4891600	2	Flatwasher 3/8in Hardened	
214	Not Used			
215	1001112763	1	Battery Cable Kit	B
215A	7027028	1	Cable, Battery (Red)	
215B	7027029	1	Cable, Battery (Black)	
215C	7027002	1	Cable (Red)	
215D	7027033	1	Cable (Black)	
		Ref	Note: Arctic Package Items 216 - 226 Not Shown - Used on Arctic Machines Only.	
216	0641608	2	Bolt 3/8in-16NC x 1in	
217	1060626	1	Cord, 3-Way Extension (Located on Left Front of Engine)	
218	1320223	2	Clamp	
219	1702941	1	Decal - Battery Heater (Located on Battery Heater)	
220	1702942	1	Decal - Engine Block Heater (Located on Right Side of Engine)	
221	1702944	1	Decal - Heater Cord (Located on Left Front of Engine)	
222	2580024	1	Heater, Battery (Located on Battery)	
223	2580055	1	Heater, Block (Located on Left Side of Engine)	
224	3311605	2	Locknut 3/8in-16NC	
225	3980007	1	Seat, Battery (Located Under Battery)	
226	4751600	2	Flatwasher 3/8in Regular	
	1001112077	Ref	CATERPILLAR TIER IVi ENGINE W/ECM ASSEMBLY	E
301	0100011	AR	Compound, Locking	
302	0100020	AR	Sealant, Thread	
303	0700620	1	Bolt M6 x 60mm	
304	0700808	5	Bolt M8 x 16mm	
305	0701010	2	Bolt M10 x 20mm	
306	0760606	2	Bolt M6 x 12mm	
307	0760610	2	Bolt M6 x 20mm	
308	4031709	3	Bolt M6 x 25mm (was p/n 0760612)	
309	8303541	1	Screw M6 x 35mm	
310	0700616	2	Bolt M6 x 40mm	
311	0761210	2	Bolt M12 x 20mm	
312	8406009	1	Clamp, Cable	
313	1320224	1	Clamp, Cable	
314	8406105	2	Clip, Tube	
315	3290507	1	Locknut M5	
316	4811700	12	Flatwasher M6	

SECTION 2 TURNTABLE

FIGURE 2-10. CATERPILLAR ENGINE INSTALLATION (USA BUILT MACHINES SN 0300140223 TO SN 0300171769 & CHINA BUILT MACHINES SN B300000100 TO PRESENT)

ITEM #	PART NUMBER	QTY.	DESCRIPTION	REV.
317	4811900	5	Flatwasher M8	
318	4812000	2	Flatwasher M10	
319	4812100	2	Flatwasher M12	
320	4811600	1	Flatwasher M5	
321	1001097553	1	Washer, Coolant Sensor	
322	1001109064	1	Caterpillar Tier IVi Engine Assembly	
323	1001112057	1	Bracket	
324	1001112059	5	Bumper	
325	1001112067	1	ECM	
326	1001112068	1	Sensor, Speed	
327	1001112069	1	Sensor, Temperature	
328	1001112070	1	Switch, Oil Pressure	
329	1001112071	1	Harness, Engine (Not Shown - See ELECTRICAL SECTION for Breakdown)	
330	1001112072	1	Bracket	
331	1001112073	1	Actuator	
	1001112849	1	Linkage Assy	
332	1001112570	1	Spacer	
333	Not Used			
334	1320263	1	Clamp, Cable	
335	1001112075	1	Bolt	
336	1001112592	1	Bearing	
337	1001116595	1	Spacer	
338	8406109	1	Clip, Tube	
	1001109064	Ref	ENGINE COMPONENTS	B
401	70001051	1	Valve, Crankcase Actuator Shut-Off	
402	70001120	1	Pump, Water	
	70001742	1	Pulley, Water Pump	
	70002765	1	Hose, By-Pass (Not Shown)	
403	See Note		Head, Cylinder (Note: Not Available for Purchase.)	
	7026801	1	Gasket, Valve Cover	
	70002764	1	Gasket, Rear Head	
	70002762	15	Seat, Valve	
	70002761	17	Bolt, Head	
404	7026839	1	Pump, Fuel Supply	
	7026830	1	Element, Fuel Filter	
	70002834	1	Bowl, Water Collection	
	70002835	1	Seal Kit - Water Separator	
	70002833	1	Ring, Fuel Pump Retaining	
405	70002844	1	Dipstick Oil Level	
	70002843	1	Seal, Dipstick Tube	
406	70002845	1	Pump, Oil (Not Shown)	
	70002846	1	O-Ring, Oil Pump (Not Shown)	
407	70002849	1	Pump, Fuel Injection	
	70002847	1	O-Ring, Fuel Injection Pump Flange	
	70002848	1	Gasket, Fuel Injection Pump	
	70002850	1	Solenoid, Fuel Shut-Off	

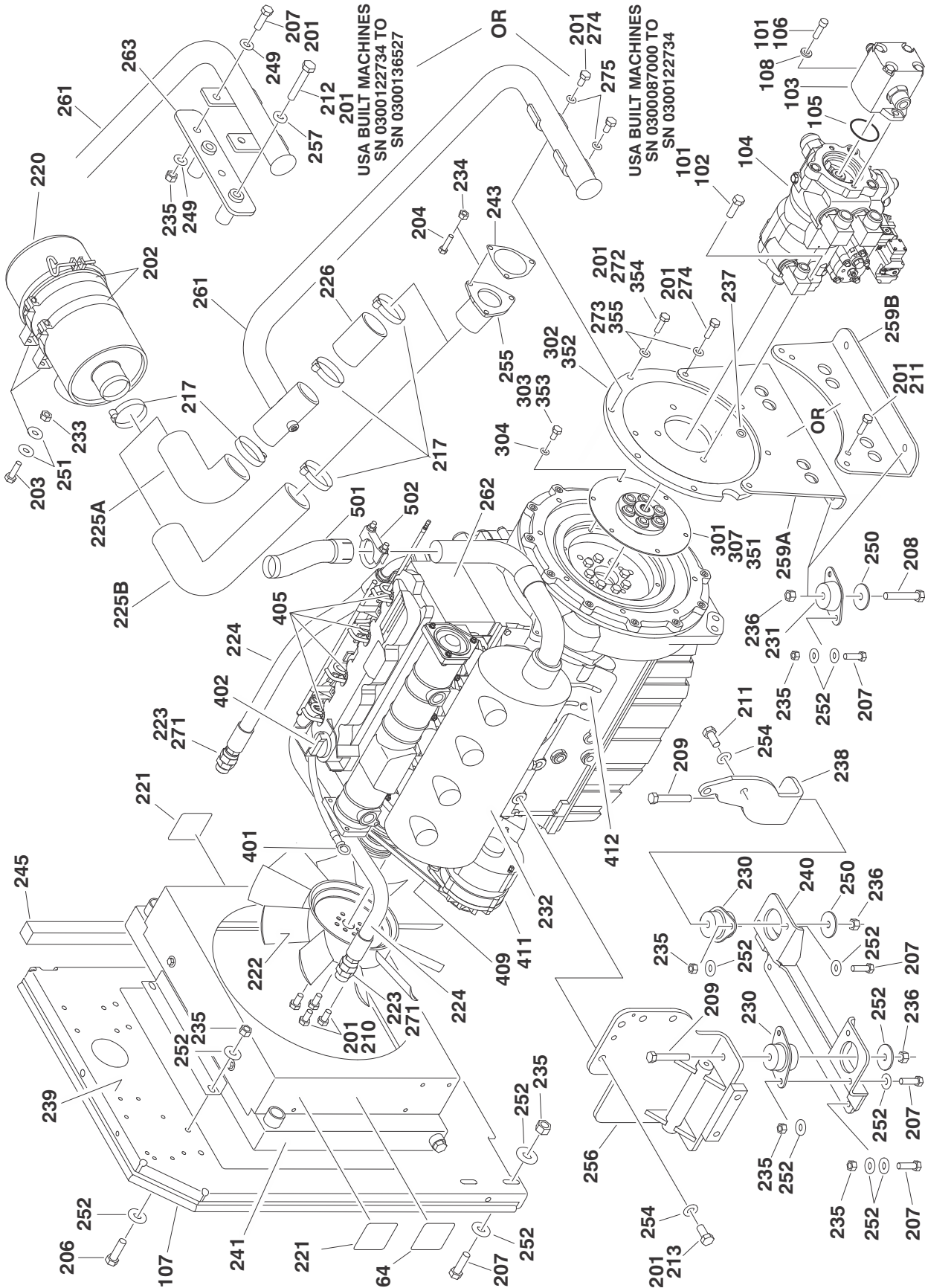
SECTION 2 TURNTABLE

FIGURE 2-10. CATERPILLAR ENGINE INSTALLATION (USA BUILT MACHINES SN 0300140223 TO SN 0300171769 & CHINA BUILT MACHINES SN B300000100 TO PRESENT)

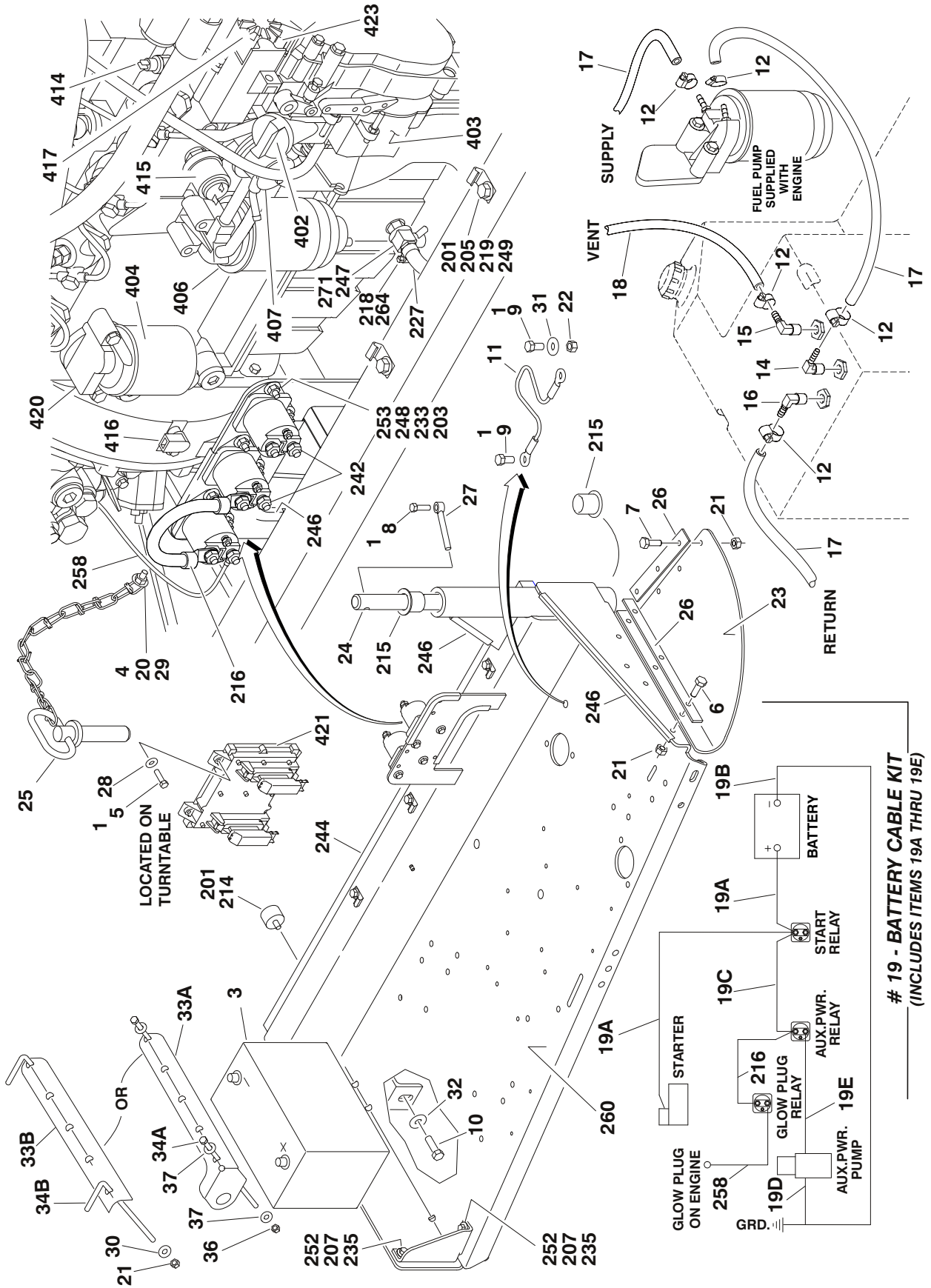
ITEM #	PART NUMBER	QTY.	DESCRIPTION	REV.
408	Not Used			
409	7026802	1	Flywheel	
	7026803	1	Gear, Flywheel	
	7026804	1	Gasket (Not Shown - Between Flywheel Housing & Engine Block)	
	7026805	1	Seal, Rear Main (Not Shown - Rear of Flywheel Housing)	
	7026807	1	Seal, Front Main (Located in Front Housing)	
410	7026800	1	Cap Oil Filler (Top of Valve Cover)	
411	7026806	1	Cap, Filler (Front Side of Engine)	
412	7026810	1	V-Belt	
413	7026811	1	Filter, Oil	
	7026812	1	O-Ring (Between Bolt & Oil Filter Bracket)	
	7026813	1	O-Ring (Between Oil Filter Bracket & Engine Block)	
414	7026819	1	Engine Cooler Assembly (Not Shown)	
	7026816	2	O-Ring (Between Cover & Cooler)	
	7026817	4	O-Ring (Between Cover & Cooler)	
415	7026822	1	Thermostat	
	7026821	1	Gasket (Between Regulator & Thermostat Housing)	
	7026820	1	Gasket (Between Regulator & Engine Head)	
416	7026814	1	Relief Valve, Oil Pressure (Not Shown)	
	7026815		Gasket, Relief Valve	
417	See Note	4	Injector, Fuel (Not Shown) (Note: Not Available for Purchase.)	
	70002763	4	Gasket, Fuel Line (Not Shown)	
418	7026831	1	Alternator	
419	7026832	1	Plug, Glow (Not Shown)	
420	7026833	1	Starter (Not Shown - Located on other side of engine)	
421	7026826	1	Gasket, Exhaust Manifold to Cylinder Head (Not Shown)	
	7026827	1	Gasket, Exhaust Manifold to Exhaust Pipe (Not Shown)	
	70002852	4	Stud, Exhaust Manifold (Not Shown)	
422	7026829	1	Gasket, Intake Manifold to Cylinder Head (Not Shown)	
	7026828	1	Gasket, Intake Manifold to Intake Tube (Not Shown)	
423	7026808	1	Plug, Oil Pan (Not Shown)	
	7026809	1	Gasket, Oil Plug	
424	70002851	1	Gasket Kit (Not Shown)	
425	4569371	1	Tube, Intake	

SECTION 2 TURNTABLE

FIGURE 2-11. DEUTZ ENGINE INSTALLATION



SECTION 2 TURNTABLE



19 - BATTERY CABLE KIT
(INCLUDES ITEMS 19A THRU 19E)

SECTION 2 TURNTABLE

FIGURE 2-11. DEUTZ ENGINE INSTALLATION

ITEM #	PART NUMBER	QTY.	DESCRIPTION	REV.
		Ref	DEUTZ ENGINE INSTALLATIONS	
		Ref	2WD Without Arctic Package	
		Ref	USA Built Machines	
	0274298	Ref	Tier II Engines (SN 0300087000 to SN 0300126189)	G
	1001099216	Ref	Tier III Engines (SN 0300126189 to SN 0300169953)	D
	1001099216	Ref	Tier III Engines (All Specs Except ANSI, CSA & Japanese Specs SN 0300169953 to SN 0300171769)	D
	1001137762	Ref	Tier IVi-Flex Engines (ANSI, CSA & Japanese Specs SN 0300169953 to SN 0300171769)	B
		Ref	4WD Without Arctic Package	
		Ref	USA Built Machines	
	0274297	Ref	Tier II Engines (SN 0300087000 to SN 0300126189)	H
	1001094104	Ref	Tier III Engines (SN 0300126189 to SN 0300169953)	D
	1001094104	Ref	Tier III Engines (All Specs Except ANSI, CSA & Japanese Specs SN 0300169953 to SN 0300171769)	D
	1001137763	Ref	Tier IVi-Flex Engines (ANSI, CSA & Japanese Specs SN 0300169953 to SN 0300171769)	B
		Ref	China Built Machines	
	1001094104	Ref	Tier III Engines (SN B300000100 to Present)	D
		Ref	4WD With Arctic Package	
		Ref	USA Built Machines	
	0275343	Ref	Tier II Engines (SN 0300087000 to SN 0300126189)	E
	1001099215	Ref	Tier III Engines (SN 0300126189 to SN 0300169953)	D
	1001099215	Ref	Tier III Engines (All Specs Except ANSI, CSA & Japanese Specs SN 0300169953 to SN 0300171769)	D
	1001137764	Ref	Tier IVi-Flex Engines (ANSI, CSA & Japanese Specs SN 0300169953 to SN 0300171769)	B
		Ref	China Built Machines	
	1001099215	Ref	Tier III Engines (SN B300000100 to Present)	D
1	0100011	AR	Compound, Locking	
2	0100020	AR	Sealant, Pipe (Not Shown)	
3	0400075	1	Battery	
4	0641407	1	Bolt 1/4in-20NC x 7/8in	
5	0641410	4	Bolt 1/4in-20NC x 1-1/4in	
6	0641508	3	Bolt 5/16in-18NC x 1in	
7	3900272	3	Bolt 5/16in-18NC x 1-3/4in	
8	0641610	1	Bolt 3/8in-16NC x 1-1/4in	
9	0641808	2	Bolt 1/2in-13NC x 1in	
10	0642010	1	Bolt 5/8in-11NC x 1-1/4in	
11	1060637	1	Cable, Lanyard	
12	1320022	AR	Clamp, Hose	
13	1701505	1	Decal - Diesel (Not Shown - Located on Hood)	
14	2180348	1	Fitting, Straight Barbed	
15	2220313	1	Fitting, 90	
16	2221176	1	Fitting, 90 Barbed	
17	2720058	26ft/7.9m	Hose	
18	2750532	6ft/1.8m	Hose	

SECTION 2 TURNTABLE

FIGURE 2-11. DEUTZ ENGINE INSTALLATION (CONTINUED)

ITEM #	PART NUMBER	QTY.	DESCRIPTION	REV.
19	2902296	1 Ref	Battery Cable Kit Note: 2902296 Rev A version is no longer available. Verify whether machine is equipped with 2 or 3 relays on the engine tray. If there are 3 relays, purchase latest revision of 2902296 kit. If there are 2 relays, purchase individual items as replacement.	B
19A	100116241	1	Cable, Battery (Red) Machines with 2 Relays on Engine Tray (was p/n 7027000)	
	100116240		Machines with 3 Relays on Engine Tray (was p/n 7027000)	
19B	7027004	1	Cable, Battery (Black)	
19C	7027001	1	Cable (Red) (No Longer Part of 2902296 Kit - Used on USA Built Machines SN 0300087000 to SN 0300138090 Only)	
19D	7027003	1	Cable (Black)	
19E	7027002	1	Cable (Red)	
20	3311405	1	Locknut 1/4in-20NC	
21		AR	Locknut Options:	
	3311505		Locknut 5/16in-18NC	
	88521205		Locknut with Nylon Lock 5/16in-18NC	
22	3311801	1	Nut 1/2in-13NC	
23	3380429	1	Panel, Rubber	
24	3422446	1	Pin, Pivot	
25	3422532	1	Pin, Hitch w/Chain	
26	3539957	2	Plate, Hold-down	
27	3841143	1	Pin, Keeper	
28	4711400	4	Flatwasher 1/4in Thin	
29	4751400	1	Flatwasher 1/4in Regular	
30	4751500	AR	Flatwasher 5/16in Regular	
31	4751800	1	Flatwasher 1/2in Regular	
32	4752000	1	Flatwasher 5/8in Regular	
33		1	Hold-down, Battery Options:	
33A	0181727		USA Built Machines SN 0300087000 to SN 0300110251	
33B	91401281		USA Built Machines SN 0300110251 to SN 0300171769 & China Built Machines SN B300000100 to Present	
34		2	Hardware, Battery Hold-down Options:	
34A	0630498		USA Built Machines SN 0300087000 to SN 0300110251(Bolt)	
34B	1001093382		USA Built Machines SN 0300110251 to SN 0300171769 & China Built Machines SN B300000100 to Present (J-Hook)	
35	Not Used			
36	3311605	AR	Locknut 3/8in-16NC	
	88521205	AR	Locknut 5/16in-18NC	
37	4751600	AR	Flatwasher 3/8in Regular	
38 to 50	Not Used			

SECTION 2 TURNTABLE

FIGURE 2-11. DEUTZ ENGINE INSTALLATION (CONTINUED)

ITEM #	PART NUMBER	QTY.	DESCRIPTION	REV.
		Ref	Note: Arctic Package Items (Used on Arctic Machines Only) - Items 51 - 62 Not Shown.	
51	1060626	1	Cord, 3 Way Extension (Located on Left Front of Engine)	
52	1702941	1	Decal - Battery Heater (Located on Battery Heater)	
53	1702942	1	Decal - Engine Block Heater (Located on Right Side of Engine)	
54	1702943	1	Decal - Hyd Tank Heater (Located on bottom of Hyd Oil Tank)	
55	1702944	1	Decal - Heater Cord (Located on Left Front of Engine)	
56	2580024	1	Heater, Battery (Located on Battery)	
57	2580050	1	Heater, Hydraulic Tank (Located on bottom of Hyd Oil Tank)	
58	3980007	1	Seat, Battery (Located on Battery)	
59	0641507	1	Bolt 5/16in-18NC x 7/8in	
60	0641608	1	Bolt 3/8in-16NC x 1in	
61	1060625	1	Cable, Immersion Heater (Located on bottom of Hyd Oil Tank)	
62	1320223	2	Clamp	
63	Not Used			
64		1	Decal - Warning Explosion/Fire Options:	
	1704972		ANSI Spec	
	1706098		Australian & CE Spec	
	1706059		Brazilian Spec	
	1706060		Chinese Spec	
	1706064		CSA Spec	
	1706062		Japanese Spec	
	1706061		Korean Spec	
	1706063		Spanish Language	
		Ref	ENGINE AND PUMP ASSEMBLIES	
		Ref	2WD Without Arctic Package	
		Ref	USA Built Machines	
	2000281	Ref	Tier II Engines (SN 0300087000 to SN 0300126189)	D
	1001099217	Ref	Tier III Engines (SN 0300126189 to SN 0300169953)	D
	1001099217	Ref	Tier III Engines (All Specs Except ANSI, CSA & Japanese Specs SN 0300169953 to SN 0300171769)	D
	1001137761	Ref	Tier IVi-Flex Engines (ANSI, CSA & Japanese Specs SN 0300169953 to SN 0300171769)	B
		Ref	4WD Without Arctic Package	
		Ref	USA Built Machines	
	2000280	Ref	Tier II Engines (SN 0300087000 to SN 0300126189)	E
	1001094103	Ref	Tier III Engines (SN 0300126189 to SN 0300169953)	E
	1001094103	Ref	Tier III Engines (All Specs Except ANSI, CSA & Japanese Specs SN 0300169953 to SN 0300171769)	E
	1001137750	Ref	Tier IVi-Flex Engines (ANSI, CSA & Japanese Specs SN 0300169953 to SN 0300171769)	B
		Ref	China Built Machines	
	1001094103	Ref	Tier III Engines (SN B300000100 to Present)	E

SECTION 2 TURNTABLE

FIGURE 2-11. DEUTZ ENGINE INSTALLATION (CONTINUED)

ITEM #	PART NUMBER	QTY.	DESCRIPTION	REV.
		Ref	4WD With Arctic Package	
		Ref	USA Built Machines	
	2000366	Ref	Tier II Engines (SN 0300087000 to SN 0300126189)	C
	1001098475	Ref	Tier III Engines (SN 0300126189 to SN 0300169953)	D
	1001098475	Ref	Tier III Engines (All Specs Except ANSI, CSA & Japanese Specs SN 0300169953 to SN 0300171769)	D
	1001137753	Ref	Tier IVi-Flex Engines (ANSI, CSA & Japanese Specs SN 0300169953 to SN 0300171769)	B
		Ref	China Built Machines	
	1001098475	Ref	Tier III Engines (SN B300000100 to Present)	D
101	0100011	AR	Compound, Locking	
102	0641812	2	Bolt 1/2in-13NC x 1-1/2in	
103	3600395	1	Gear Pump Assy with Fittings (See GEAR PUMP ASSEMBLY for Breakdown)	
104		1	Piston Pump Assembly with Fittings Options (See Piston Pump Assembly for Breakdown):	
	3600394		2WD	
	3600396		4WD (USA Built Machines SN 0300087000 to SN 0300139336)	
	1001117799		4WD (USA Built Machines SN 0300139336 to SN 0300171769)	
	1001117799		4WD (China Built Machines SN B300000100 to Present)	
105	3790152	1	O-Ring	
106	3931620	2	Capscrew 3/8in-16NC x 1-1/4in	
107	3960389	5ft/1.5m	Seal	
108	4891600	2	Flatwasher 3/8in Hardened	
109	3020016	3.75gal	Oil, Motor (Not Shown)	
		Ref	ENGINE ASSEMBLIES	
		Ref	Machines Without Arctic Package	
		Ref	USA Built Machines	
	2000279	Ref	Tier II Engines (SN 0300087000 to SN 0300092726)	E
	2000342	Ref	Tier II Engines (SN 0300092726 to SN 0300126189)	B
	1001094102	Ref	Tier III Engines (SN 0300126189 to SN 0300169953)	H
	1001094102	Ref	Tier III Engines (All Specs Except ANSI, CSA & Japanese Specs SN 0300169953 to SN 0300171769)	H
	1001137749	Ref	Tier IVi-Flex Engines (ANSI, CSA & Japanese Specs SN 0300169953 to SN 0300171769)	B
		Ref	China Built Machines	
	1001094102	Ref	Tier III Engines (SN B300000100 to Present)	H
		Ref	Machines With Arctic Package	
		Ref	USA Built Machines	
	2000365	Ref	Tier II Engines (SN 0300087000 to SN 0300126189)	B
	1001098476	Ref	Tier III Engines (SN 0300126189 to SN 0300169953)	F
	1001098476	Ref	Tier III Engines (All Specs Except ANSI, CSA & Japanese Specs SN 0300169953 to SN 0300171769)	F
	1001137752	Ref	Tier IVi-Flex Engines (ANSI, CSA & Japanese Specs SN 0300169953 to SN 0300171769)	B
		Ref	China Built Machines	
	1001098476	Ref	Tier III Engines (SN B300000100 to Present)	F

SECTION 2 TURNTABLE

FIGURE 2-11. DEUTZ ENGINE INSTALLATION (CONTINUED)

ITEM #	PART NUMBER	QTY.	DESCRIPTION	REV.
	0256690	Ref	MUFFLER INSTALLATION - CATALYTIC	—
201	0100011	AR	Compound, Locking	
202	0340041	2	Band, Air Cleaner	
203	0641407	AR	Bolt 1/4in-20NC x 7/8in	
204	0641510	3	Bolt 5/16in-18NC x 1-1/4in	
205	0641606	3	Bolt 3/8in-16NC x 3/4in	
206		AR	Bolt Options:	
	0641610		Bolt 3/8in-16NC x 1-1/4in	
	0641609		Bolt 3/8in-16NC x 1-1/8in	
207		AR	Bolt Options:	
	0641608		Bolt 3/8in-16NC x 1in	
	0641610		Bolt 3/8in-16NC x 1-1/4in	
208	0641818	2	Bolt 1/2in-13NC x 2-1/4in	
209	0641826	2	Bolt 1/2in-13NC x 3-1/4in	
210	0700808	4	Bolt 8mm x 16mm	
211	0701414	AR	Bolt 14mm x 30mm	
212	0711025	AR	Bolt 10mm x 85mm (USA Built Machines SN 0300087000 to SN 0300136527 Only)	
213	0711414	AR	Bolt 14mm x 30mm	
214	0940070	1	Bumper	
215	0961986	2	Bushing, Flanged	
216	1060904	1	Cable, Jumper (USA Built Machines SN 0300092726 to SN 0300171769 & China Built Machines SN B300000100 to Present)	
217	1320016	AR	Clamp	
218	1320022	1	Clamp, Hose (USA Built Machines SN 0300087000 to SN 0300136527 Only)	
219	1320223	4	J-Clip	
220	1340060	1	Air Cleaner Assembly Including Filter Element	
	7012664	1	Element, Filter (Not Shown)	
221	1703162	2	Decal - Caution Fan Blade	
222	2060025	1	Fan	
223	2220451	2	Fitting, Straight	
224	2720398	2	Hose, Oil Cooler	
225		1	Elbow, Rubber Options:	
225A	2720434		Elbow USA Built Machines SN 0300087000 to SN 0300136527	
225B	1001091179		Elbow USA Built Machines SN 0300136527 to SN 0300171769 & China Built Machines SN B300000100 to Present	
226	2720449	1	Hose, Air Cleaner (USA Built Machines SN 0300087000 to SN 0300136527 Only)	
227			Hose Options:	
	2750532	1ft/30cm	Hose - 3/8in	
	1001091892	6in/15cm	Hose - 5/8in	
228	Not Used			
229		3.75gal	Oil, Motor Options (Not Shown):	
	3020016		Without Arctic Package	
	3020044		With Arctic Package	
230	3200362	2	Mount, Motor	

SECTION 2 TURNTABLE

FIGURE 2-11. DEUTZ ENGINE INSTALLATION (CONTINUED)

ITEM #	PART NUMBER	QTY.	DESCRIPTION	REV.
231	3200406	2	Mount, Motor	
232		1	Muffler Options:	
	3220103		Muffler, Spark Arresting (Standard)	
	3220104		Muffler, Catalytic (Optional)	
		1	Muffler Components:	
			Clamp Options:	
	1320176		Saddle Clamp Used on Spark Arresting	
	70001017		Band Clamp Used on Catalytic	
	7024398	1	Tube, Exhaust	
	7024560	1	Plug, Brass	
233	3311405	AR	Locknut 1/4in-20NC	
234	3311505	3	Locknut 5/16in-18NC	
235	3311605	AR	Locknut 3/8in-16NC	
236	3311805	4	Locknut 1/2in-13NC	
237	3520054	2	Plug, Hole (SN 0300126189 to Present Only)	
238	3537416	1	Plate, Engine Mounting (Front Right Side)	
239	3539872	1	Plate, Radiator Mounting	
240	3539971	1	Plate, Engine Mounting (Front Bottom)	
241	Use 1001150998	1	Radiator (was p/n 3620033)	
242	3740067	AR	Relay Options:	
		2	Relay USA Built Machines SN 0300087000 to SN 0300092726	
		3	Relay USA Built Machines SN 0300092726 to SN 0300171769	
		3	Relay China Built Machines SN B300000100 to Present	
243	3960407	1	Gasket, Air Intake	
244	3960468	1	Seal	
245	3960469	1	Seal	
246	4060805	37in/1m	Flex-Trim	
247	Use 4640751	1	Valve, Oil Drain (was p/n 1001104308)	
248		6	Flatwasher Options:	
	4751400		Flatwasher 1/4in Regular	
	4711400		Flatwasher 1/4in Thin	
249	4711600	AR	Flatwasher 3/8in Thin	
250	4740274	4	Washer, Snubbing	
251	4751400	AR	Flatwasher 1/4in Regular	
252	4751600	AR	Flatwasher 3/8in Regular	
253	4791400	AR	Starwasher 1/4in	
254		6	Flatwasher Options:	
	4711900		Flatwasher 9/16in Thin	
	4812200		Flatwasher M14	
255	4845395	1	Adapter, Air Intake	
256	4846566	1	Plate, Engine Mounting (Front Left Side)	
257	4891600	AR	Flatwasher 3/8in Regular	
258	4923379	1	Harness, Glow Plug (USA Built Machines SN 0300092726 to SN 0300171769 & China Built Machines SN B300000100 to Present)	

SECTION 2 TURNTABLE

FIGURE 2-11. DEUTZ ENGINE INSTALLATION (CONTINUED)

ITEM #	PART NUMBER	QTY.	DESCRIPTION	REV.
259		1	Plate, Engine Mounting (Rear) Options:	
259A	3534978		Tier II Engines (USA Built Machines SN 0300087000 to SN 0300126189)	
259B	1001093943		Tier III Engines/Tier IVi-Flex Engines (USA Built Machines SN 0300126189 to SN 0300171769)	
	1001093943		Tier III & IVi Engines (China Built Machines SN B300000100 to Present)	
260		1	Tray, Engine Options:	
	4845404		Tier II Engines (USA Built Machines SN 0300087000 to SN 0300126189)	
	1001094321		Tier III Engines/Tier IVi-Flex Engines (USA Built Machines SN 0300126189 to SN 0300171769)	
	1001094321		Tier III & IVi Engines (China Built Machines SN B300000100 to Present)	
261		1	Tube, Tuning	
	4569171		Tier II Engines (USA Built Machines SN 0300087000 to SN 0300126189)	
	1001094521		Tier III Engines (USA Built Machines SN 0300126189 to SN 0300136527)	
	Not Required		Tier III & IVi Engines/Tier IVi-Flex Engines (USA Built Machines SN 0300136527 to SN 0300171769)	
	Not Required		Tier III & IVi Engines (China Built Machines SN B300000100 to Present)	
262		1	Engine, Deutz - F4M2011 Options:	
	2000274		USA Built Machines SN 0300087000 to SN 0300092726 (Tier II)	
	2000339		USA Built Machines SN 0300092726 to SN 0300126189 (Tier II)	
	1001098211		USA Built Machines SN 0300126189 to SN 0300169953 (Tier III & IVi)	
	1001098211		USA Built Machines All Specs Except ANSI, CSA & Japanese Specs SN 0300169953 to SN 0300171769 (Tier III & IVi)	
	1001137748		USA Built Machines ANSI, CSA & Japanese Specs SN 0300169953 to SN 0300171769 (Tier IVi-Flex)	
	1001098211		China Built Machines SN B300000100 to Present (Tier III & IVi)	
263	1001098916	1	Support, Resonator (USA Built Machines SN 0300126189 to SN 0300136527 Only)	
264	1320022	1	Clamp	
265 to 270	Not Used			
271	0100020	AR	Sealant, Pipe	
272	0701012	2	Bolt 10mm x 25mm (USA Built Machines SN 0300087000 to SN 0300126189 Only)	
273	4711700	AR	Flatwasher 7/16in Thin (USA Built Machines SN 0300087000 to SN 0300126189 Only)	
274	0701015	6	Bolt 10mm x 35mm (USA Built Machines SN 0300087000 to SN 0300126189 Only)	
275	4751700	2	Flatwasher 7/16in Regular (USA Built Machines SN 0300087000 to SN 0300126189 Only)	
		Ref	Note: Arctic Package Item 276 Not Shown - Used on Arctic Machines Only.	
276	2580062	1	Heater, Engine Block	

SECTION 2 TURNTABLE

FIGURE 2-11. DEUTZ ENGINE INSTALLATION (CONTINUED)

ITEM #	PART NUMBER	QTY.	DESCRIPTION	REV.
	0256847	Ref	PUMP COUPLING INSTALLATION - TIER II ENGINES (USA BUILT MACHINES SN 300087000 TO SN 0300126189)	2
301	1660234	1	Coupling, Hayes	
302	0080163	1	Plate, Pump Adapter	
303	0700810	6	Bolt M8 x 20mm	
304	4831900	6	Lockwasher M8	
305 to 306	Not Used			
307	3020021	AR	Grease, Coupling (Not Shown)	
	2902065	Ref	PUMP COUPLING INSTALLATION - TIER III ENGINES/TIER IVI-FLEX ENGINES (USA BUILT MACHINES SN 0300126189 TO SN 0300171769 & CHINA BUILT MACHINES SN B300000100 TO PRESENT)	G
351	70000793	1	Coupling	
352	See Note	1	Plate, Pump Adapter (Not Shown) (Note: Not Available - Purchase p/n 2902065.)	
353	See Note	8	Bolt M10 x 20mm Grade 10.9 (Note: Not Available - Purchase Locally)	
354	See Note	12	Bolt M10 x 25mm Grade 10.9 (Note: Not Available - Purchase Locally)	
355	See Note	12	Flatwasher M10 (Note: Not Available - Purchase Locally)	
		Ref	ENGINE COMPONENTS	
		Ref	USA Built Machines	
	2000274	Ref	Tier II Engines (SN 0300087000 to SN 0300092726)	B
	2000339	Ref	Tier II Engines (SN 0300092726 to SN 0300126189)	B
	1001098211	Ref	Tier III & IVi Engines (SN 0300126189 to SN 0300169953)	B
	1001098211	Ref	Tier III & IVi Engines (All Specs Except ANSI, CSA & Japanese Specs SN 0300169953 to SN 0300171769)	B
	1001137748	Ref	Tier IVi-Flex Engines (ANSI, CSA & Japanese Specs SN 0300169953 to SN 0300171769)	B
		Ref	China Built Machines	
	1001098211	Ref	Tier III & IVi Engines (SN B300000100 to Present)	C
401	7026631	1	Dipstick	
	7020487	1	Seal, Dipstick	
402	7020465	1	Cap, Filler	
403		1	Pump, Oil Lube Options: Pump for 2000274 & 2000339 Tier II Engines (Pump for 1001098211 Tier III & 1001137748 Tier IVi-Flex Engines	
	7020484			
	70001850			
	7020468	1	Seal Between Oil Pump & Engine Block (Not Shown)	
404	7016331	1	Filter, Oil	
	70001423	1	Bracket, Oil Filter	
405	70003478	4	Injector, Fuel	
		4	Pump, Injector Options: Pump Options for 2000274 & 2000339 Tier II Engines	
	7027246		Series A Injector	
	7027608		Series B Injector	
	7027609		Series C Injector	
	7027610		Series D Injector	

SECTION 2 TURNTABLE

FIGURE 2-11. DEUTZ ENGINE INSTALLATION (CONTINUED)

ITEM #	PART NUMBER	QTY.	DESCRIPTION	REV.	
405 Cont'd	7000663		Pump Options for 1001098211 Tier III & IVi & 1001137748 Tier IVi-Flex Engines		
	70000912		Series A Injector		
	70000913		Series B Injector		
	70000914		Series C Injector		
	70000915		Series D Injector		
		4	Gasket Options (1 per Injector):		
		7020447		Gasket for 2000274 & 2000339 Tier II Engines	
	See Note		Gasket for 1001098211 Tier III & IVi & 1001137748 Tier IVi-Flex Engines (Note: Not Available for Purchase.)		
406	7016328	1	Filter, Fuel		
407		1	Pump Fuel Supply Options:		
	Use 70000916		Pump for 2000274 & 2000339 Tier II Engines (was p/n 7027238)		
	70000916		Pump for 1001098211 Tier III & IVi & 1001137748 Tier IVi-Flex Engines		
	70001435		Repair Kit for 70000916 Pump		
	70000919		Hand Pump Used on 70000916 Pump		
	70000918		Seal, Hand Pump Used on 70000916 Pump		
		1	O-Seal Options Between Fuel Pump & Engine Block (Not Shown):		
		7020411		O-Seal for 2000274 & 2000339 Tier II Engines	
		70000917		O-Seal for 1001098211 Tier III & IVi & 1001137748 Tier IVi-Flex Engines	
	408	7020449	4	Gasket, Intake Manifold (Not Shown)	
409	7020408	1	V-Belt		
410	7020471	4	Gasket, Exhaust Manifold to Engine Block (Not Shown)		
	70002200	8	Stud (Not Shown)		
	70003476	8	Nut (Not Shown)		
	7020471	4	Gasket, Exhaust Manifold to Exhaust Muffler (Not Shown)		
411		1	Alternator Options:		
	Use 7000663		Alternator for 2000274 & 2000339 Tier II Engines (was p/n 7020410)		
	7000663		Alternator for 1001098211 Tier III & IVi & 1001137748 Tier IVi-Flex Engines		
		1	Regulator, Voltage Options (Not Shown):		
		7020464		Regulator for 2000274 & 2000339 Tier II Engines	
		70001868		Regulator for 1001098211 Tier III & IVi & 1001137748 Tier IVi-Flex Engines	
		70001866	1	Seal, Gasket for 7000663 Voltage Regulator (Not Shown)	
	70002234	1	Bracket, Adjusting (Not Shown):		
412	7020479	1	Starter		
	7026608	1	Relay		
	70001498	1	Shield, Starter Heat		
413	See Note	2	Plug- In Connector (Not Shown) (Note: Not Available for Purchase.)		
414	7027791	1	Transmitter, Temperature		
	See Note	1	Ring, Sealing (Note: Not Available for Purchase.)		
415	7027790	1	Sensor, Oil Pressure		
416	7024565	1	Sensor, Speed		

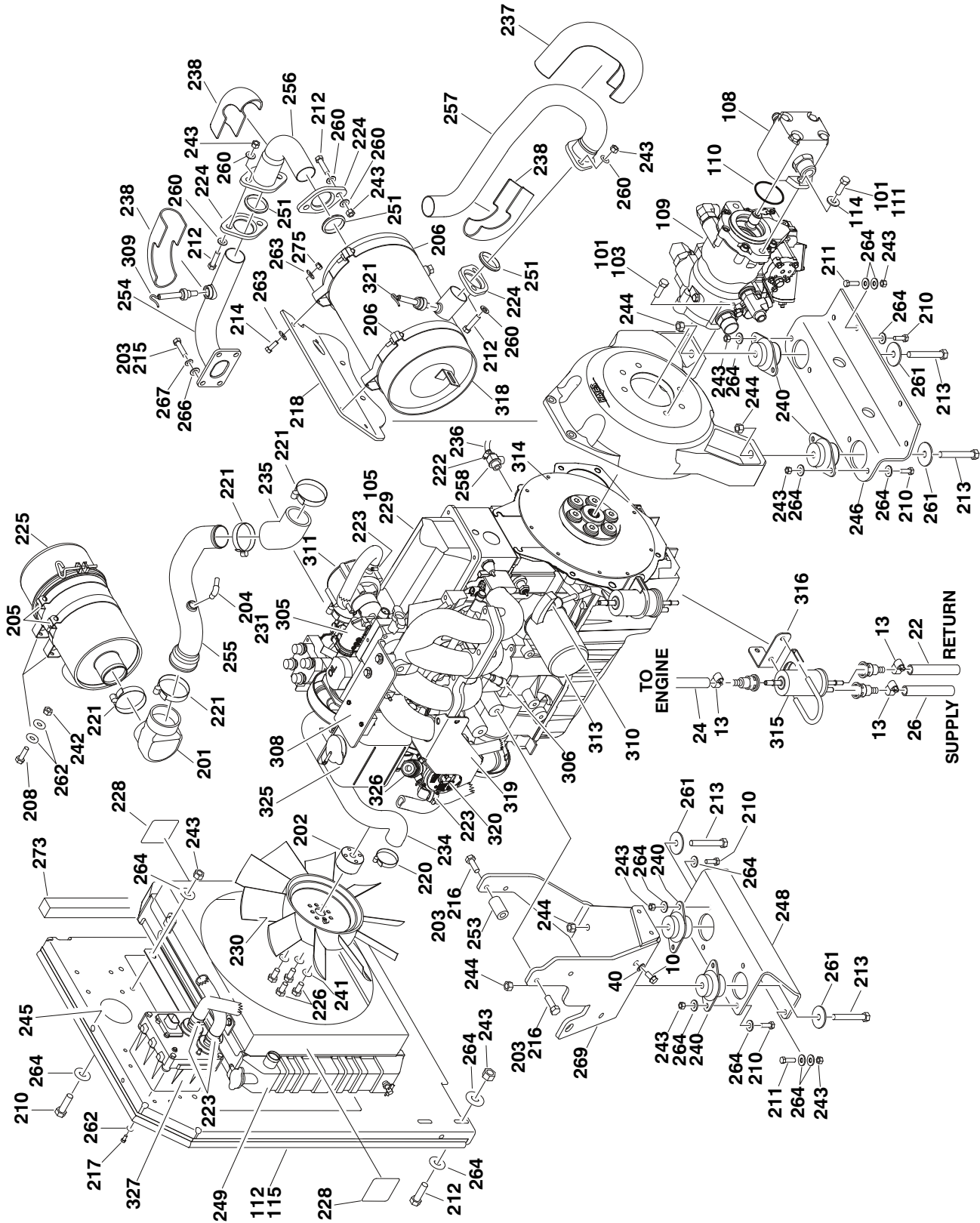
SECTION 2 TURNTABLE

FIGURE 2-11. DEUTZ ENGINE INSTALLATION (CONTINUED)

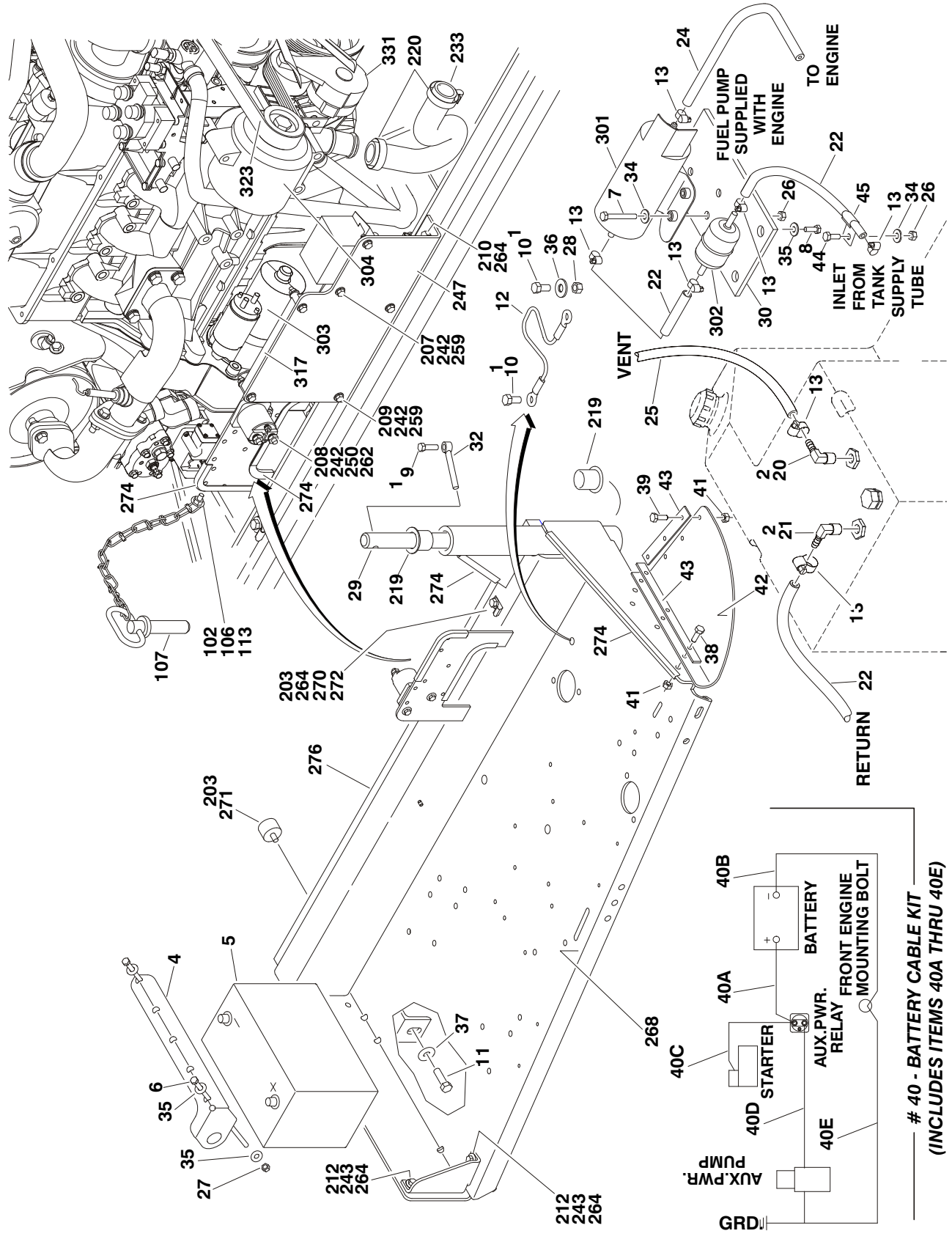
ITEM #	PART NUMBER	QTY.	DESCRIPTION	REV.
417	7027792	1	Actuator, Throttle	
	7026607	2	Spring, Actuator (was p/n 7027276)	
418	7020459	1	Thermostat (Located at rear of engine block - Not Shown)	
	7020460	1	Spring, Compression	
419		1	Flywheel Options (Not Shown):	
	70000264		USA Built Machines SN 0300087000 to SN 0300126189	
	70001870		USA Built Machines SN 0300126189 to SN 0300171769	
	70001870		China Built Machines SN B300000100 to Present	
	7024579	1	Ring Gear (Located on Flywheel - Not Shown)	
420	7027236	1	Sender, Temperature	
421	7027795	1	Module, Control	
	7027796	1	Harness. EMR2 Module	
422	70000345	4	Plug, Glow (Not Shown - Use with p/n 2000339, 1001098211 & 1001137748 Engines Only)	
423		1	Solenoid, Start Options:	
	7027239		Solenoid for 2000274 & 2000339 Tier II Engines	
	See Note		Solenoid for 1001098211 Tier III & IVi & 1001137748 Tier IVi-Flex Engines (Note: Not Available for Purchase.)	
424	70001847	1	Breather Valve (Not Shown - Located On Front Cover) (USA Built Machines SN 0300126189 to SN 0300171769 & China Built Machines SN B300000100 to Present)	
	70001126	1	Seal, Breather Valve (USA Built Machines SN 0300126189 to SN 0300171769 & China Built Machines SN B300000100 to Present)	
425		1	Harness. Engine Options (Not Shown):	
	7027794		USA Built Machines SN 0300087000 to SN 0300126189	
	70001872		USA Built Machines SN 0300126189 to SN 0300171769 & China Built Machines SN B300000100 to Present	
	7027793	1	Plug, Connector	
426		1	Gasket, Head Options (Not Shown):	
			Gasket for 2000274 & 2000339 Tier II Engines	
	70003001		Gasket - 1 Notch	
	70003002		Gasket - 2 Notch	
	70003003		Gasket - 3 Notch	
	See Note		Gasket for 1001098211 Tier III & IVi & 1001137748 Tier IVi-Flex Engines (Note: Not Available for Purchase.)	
427	70003623	1	Kit, Timing Belt/Idler (Not Shown)	
	1001148678	Ref	EXHAUST EXTENSION INSTALLATION	B
501	1001145996	1	Pipe, Exhaust	
502	1320176	1	Clamp	

SECTION 2 TURNTABLE

FIGURE 2-12. FORD ENGINE INSTALLATION



SECTION 2 TURNTABLE



40 - BATTERY CABLE KIT
(INCLUDES ITEMS 40A THRU 40E)

SECTION 2 TURNTABLE

FIGURE 2-12. FORD ENGINE INSTALLATION

ITEM #	PART NUMBER	QTY.	DESCRIPTION	REV.
		Ref	Note: Only Available on USA Built Machines.	
		Ref	ENGINE INSTALLATIONS	
	0274490	Ref	2WD	C
	0274489	Ref	4WD	C
1	0100011	AR	Compound, Locking	
2	0100020	AR	Sealant	
3	0100048	AR	Grease, Dielectric	
4	0181727	1	Angle, Battery Hold-Down	
5	0400075	1	Battery	
6	0630498	2	Bolt, Battery Hold-Down	
7	0641408	2	Bolt 1/4in-20NC x 1in	
8	0641606	1	Bolt 3/8in-16NC x 3/4in	
9	0641608	1	Bolt 3/8in-16NC x 1in	
10	0641808	2	Bolt 1/2in-13NC x 1in	
11	0642010	1	Bolt 5/8in-11NC x 1-1/4in	
12	1060637	1	Cable, Lanyard	
13	1320022	7	Clamp (Not Shown - Located on Turntable to clamp fuel line)	
14	1701542	1	Decal - Gas (Not Shown - Located on Hood)	
15	1701543	1	Decal - LP (Not Shown - Located on Frame)	
16 to 19	Not Used			
20	2220313	1	Fitting, 90	
21	2221176	1	Fitting, 90	
22	2720058	12ft/3.7m	Hose, Fuel Line	
23	Not Used			
24	2720472	1	Hose, Fuel Line	
25	2720532	5ft/1.5m	Hose, Fuel Line	
26	3311405	3	Locknut 1/4in-20NC	
27	3311605	2	Locknut 3/8in-16NC	
28	3311801	1	Nut 1/2in-13NC	
29	3422446	1	Pin	
30	3572414	1	Plate, Fuel Pump Mount	
31	Not Used			
32	3841143	1	Pin, Keeper	
33	Not Used			
34	4751400	3	Flatwasher 1/4in Regular	
35	4751600	5	Flatwasher 3/8in Regular	
36	4751800	1	Flatwasher 1/2in Regular	
37	4752000	1	Flatwasher 5/8in Regular	
38	0641508	3	Bolt 5/16in-18NC x 1in	
39	0641514	3	Bolt 5/16in-18NC x 1-3/4in	
40	2902297	1	Battery Cable Kit	A
40A	7027006	1	Cable, Battery (Red)	
40B	7027005	1	Cable, Battery (Black)	
40C	7027007	1	Cable (Red)	
40D	7027002	1	Cable (Red)	
40E	7027003	1	Cable (Black)	
41	3311505	6	Locknut 5/16in-18NC	

SECTION 2 TURNTABLE

FIGURE 2-12. FORD ENGINE INSTALLATION (CONTINUED)

ITEM #	PART NUMBER	QTY.	DESCRIPTION	REV.
42	3380429	1	Panel, Rubber	
43	3539957	2	Plate	
44	0641406	1	Bolt 1/4in-20NC x 3/4in	
45	1320222	1	Clamp	
		Ref	ENGINE AND PUMP ASSEMBLIES	
	2000298	Ref	2WD	B
	2000297	Ref	4WD	B
101	0100011	AR	Compound, Locking	
102	0641407	1	Bolt 1/4in-20NC x 7/8in	
103	0641812	2	Bolt 1/2in-13NC x 1-1/2in	
104	Not Used			
105	3020016	AR	Oil, Motor 15W-40	
106	3311405	1	Locknut 1/4in-20NC	
107	3422532	1	Pin, Hitch	
108		1	Piston Pump Assembly with Fittings Options (See PISTON PUMP ASSEMBLY for Breakdown):	
	3600394		2WD	
	3600396		4WD	
109	3600395	1	Gear Pump Assembly with Fittings (See GEAR PUMP ASSEMBLY for Breakdown)	
110	3790152	1	O-Ring	
111	3931620	2	Bolt 3/8in-16NC x 1-1/4in	
112	3960389	5ft/1.5m	Seal	
113	4751400	1	Flatwasher 1/4in Regular	
114	4891600	2	Flatwasher 3/8in Hardened	
115	2300004	2.63gal	Fluid, Anti Freeze	
	2000296	Ref	ENGINE ASSEMBLY	C
201	0080201	1	Adapter 90 Elbow	
202	0080214	1	Adapter, Fan Spacer	
203	0100011	AR	Compound, Locking	
204	0100020	AR	Sealant, Pipe	
205	0340041	2	Band, Air Cleaner	
206	0340046	2	Band, Muffler	
207	0641406	2	Bolt 1/4in-20NC x 3/4in	
208	0641408	6	Bolt 1/4in-20NC x 1in	
209	0641414	4	Bolt 1/4in-20NC x 1-3/4in	
210	0641608	14	Bolt 3/8in-16NC x 1in	
211	0641610	10	Bolt 3/8in-16NC x 1-1/4in	
212	0641612	8	Bolt 3/8in-16NC x 1-1/2in	
213	0641828	4	Bolt 1/2in-13NC x 3-1/2in	
214	0641507	4	Bolt 5/16in-18NC x 7/8in	
215	0701012	4	Bolt 10mm x 25mm	
216	0701014	4	Bolt 10mm x 30mm	
217	0760606	4	Bolt 6mm x 12mm	
218	0903079	1	Bracket, Muffler	
219	0961986	2	Bushing, Flanged	

SECTION 2 TURNTABLE

FIGURE 2-12. FORD ENGINE INSTALLATION (CONTINUED)

ITEM #	PART NUMBER	QTY.	DESCRIPTION	REV.
220	1320012	4	Clamp	
221	1320016	3	Clamp	
222	1320022	1	Clamp, Hose	
223	1320033	8	Clamp, Hose	
224	1321138	3	Plate, Exhaust Flange	
225	1340060	1	Air Cleaner Assembly Including Filter Element	
	7012664	1	Element, Filter (Not Shown)	
226	0700819	4	Bolt 8mm x 55mm	
227	4920385	7ft/2.1m	Wire, Safety (Not Shown)	
228	1703162	2	Decal - Caution Fan Blade	
229	2000272	1	Engine (See Items 301-327 for Engine Components)	
230	2060025	1	Fan	
231	2180467	1	Fitting	
232	Not Used			
233	2720435	1	Hose, Radiator (Bottom)	
234	2720436	1	Hose, Radiator (Upper)	
235	2720514	1	Hose, 45 Elbow	
236	2750532	6in/15cm	Hose, Oil Drain	
237	2820172	1	Insulation, Exhaust (Shield)	
238	2820173	3	Insulation, Exhaust (Elbow)	
240	3200362	4	Mount, Motor	
241	4831900	4	Lockwasher M8	
242	3311405	12	Locknut 1/4in-20NC	
243	3311605	30	Locknut 3/8in-16NC	
244	3311805	4	Locknut 1/2in-13NC	
245	3539872	1	Plate, Radiator Mounting	
246	3572280	1	Plate, Engine Mount	
247	3574162	1	Plate, ECM/Relay Mount	
248	3574504	1	Plate, Engine Mount	
249	3620040	1	Radiator	
250	3740067	1	Relay	
251	3960591	3	Gasket, Exhaust	
252	Not Used			
253	4566605	1	Tube, Spacer	
254	4567879	1	Tube, Exhaust	
255	4569173	1	Tube, Intake	
256	4569083	1	Tube, Exhaust	
257	3460398	1	Pipe, Exhaust	
258	4640989	1	Valve, Oil Drain	
259	4711400	12	Flatwasher 1/4in Thin	
260	4711600	12	Flatwasher 3/8in Thin	
261	4740274	4	Washer, Snubbing	
262	4751400	14	Flatwasher 1/4in Regular	
263	4751500	8	Flatwasher 5/16in Regular	
264	4751600	51	Flatwasher 3/8in Regular	
265	Not Used			
266	4812000	4	Flatwasher M10	
267	4832000	4	Lockwasher M10	
268	4845404	1	Tray, Engine	

SECTION 2 TURNTABLE

FIGURE 2-12. FORD ENGINE INSTALLATION (CONTINUED)

ITEM #	PART NUMBER	QTY.	DESCRIPTION	REV.
269	4846806	1	Plate, Engine Mounting	
270	0641606	1	Bolt 3/8in-16NC x 3/4in	
271	0940070	1	Bumper	
272	1320223	3	J-Clip	
273	3960469	1	Seal	
274	4060805	37in/1m	Flex-Trim	
275	3311505	4	Locknut 5/16in-18NC	
276	3960468	1	Seal	
	2000272	Ref	ENGINE COMPONENTS	B
301	3600377	1	Fuel Pump & Isolator Assembly (was p/ns 7022133 &7027407)	
	7022134	1	Harness, Fuel Pump (Not Shown)	
302	91083218	1	Filter, Fuel (was p/n 7022135)	
303	7012679	1	Starter (was p/n 7027408)	
304	7019977	1	Alternator with Regulator & Pulley	
	7000897	1	Alternator without Regulator & Pulley	
305	7023683	1	Actuator, Throttle	
	7027404	1	Gasket, Actuator (Not Shown)	
306	7019996	1	Sensor, Air Temperature (was p/n 7023661)	
307	7023681	1	Harness, Engine Control (was p/n 7027403) (Not Shown)	
308	7022139	1	Sensor, MAP	
309	7023682	1	Sensor, EGR	
310	2420187	1	Dipstick (was p/n 7022140)	
	4564281	1	Tube, Dipstick	
311	7027400	1	Mixer Assembly	
312	Not Used			
313	7021868	1	Filter, Oil (was p/n 7022147, 7022173 & 7014501)	
314	1660250	1	Coupling, Pump	
	7019976	1	Flywheel (Not Shown)	
	7022180	1	Ring Gear (Not Shown)	
315	7019993	1	Pressure Regulator & Filter Assembly	
316	0902539	1	Bracket	
317	1600374	1	Module, EPM	
	7027413	1	Harness, EPM Jumper	
318	3220134	1	Muffler	
319	0903010	1	Bracket, LP Regulator	
320	7023698	1	Regulator, LP	
321	7019994	1	Sensor, EGR (was p/n 7027406)	
322	70002307	1	Gasket, Exhaust (Manifold to Pipe)	
	7022143	1	Gasket, Exhaust (Manifold to Cylinder Head) (was p/n (7027401) Not Shown)	
323	7027402	1	Belt, Drive	
324	7027405	4	Spark Plug (Not Shown)	
325	1580011	1	Bottle, Overflow	
326	7027409	1	LP Filter Shutoff W/Leads	
327	7023699	1	Megajector	
	7027410	1	Harness, Megajector	
	70001690	1	Hose Kit - Megajector	
328	7019925	1	PCV Valve (Not Shown)	

SECTION 2 TURNTABLE

FIGURE 2-12. FORD ENGINE INSTALLATION (CONTINUED)

ITEM #	PART NUMBER	QTY.	DESCRIPTION	REV.
329	7022155	1	Sensor, Water Temperature (Not Shown)	
330	7022150	1	Belt, Timing (Not Shown - Located Inside Front Cover)	
331	70002567		Tensioner, Belt	

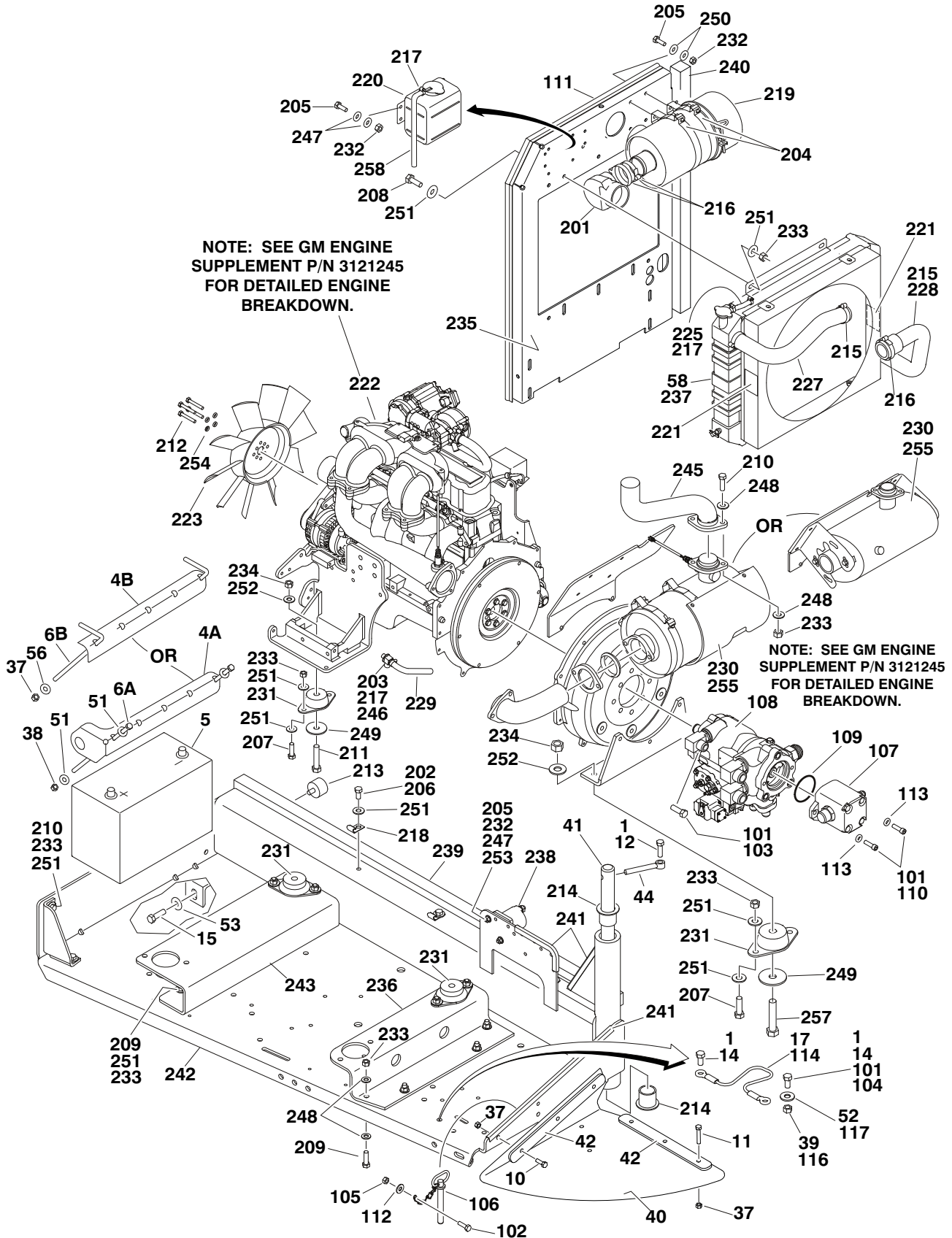
SECTION 2 TURNTABLE

FIGURE 2-12. FORD ENGINE INSTALLATION (CONTINUED)

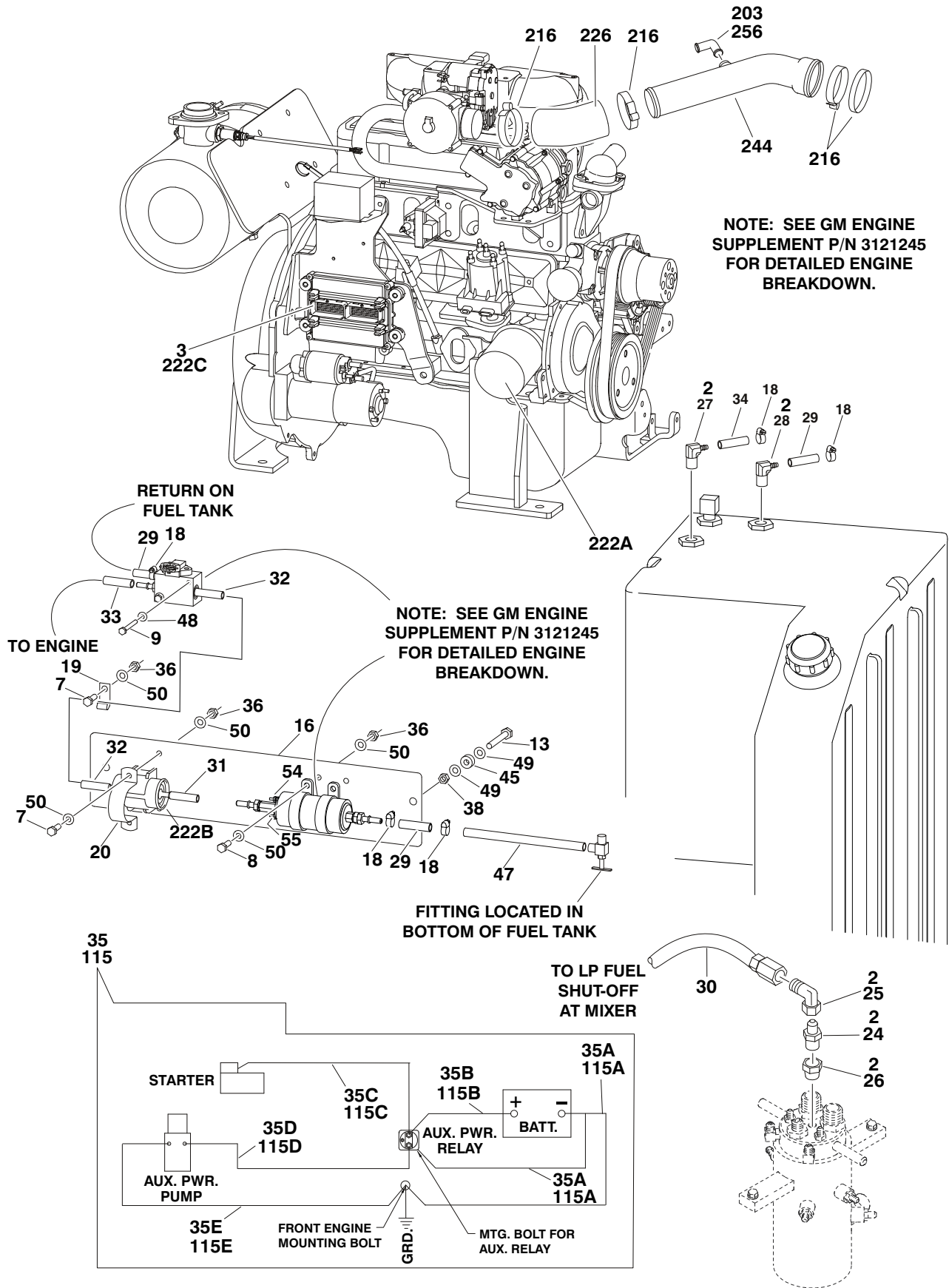
ITEM #	PART NUMBER	QTY.	DESCRIPTION	REV.

SECTION 2 TURNTABLE

FIGURE 2-13. GM ENGINE INSTALLATION (WITHOUT UGM)



SECTION 2 TURNTABLE



SECTION 2 TURNTABLE

FIGURE 2-13. GM ENGINE INSTALLATION (WITHOUT UGM)

ITEM #	PART NUMBER	QTY.	DESCRIPTION	REV.
		Ref	Note: Only Available on USA Built Machines.	
		Ref	Note: For Module (with/without UGM) Identification, refer to Revision Log page A.	
		Ref	GM ENGINE INSTALLATIONS:	
	0275282	Ref	2WD SN 0300087000 to SN 0300109245	C
	1001091631	Ref	2WD SN 0300109245 to SN 0300171769	D
	0275266	Ref	4WD SN 0300087000 to SN 0300109245	D
	1001091630	Ref	4WD SN 0300109245 to SN 0300171769	D
1	0100011	AR	Compound, Locking	
2	0100020	AR	Sealant, Pipe	
3	0100048	AR	Grease, Dielectric	
4		1	Hold-down, Battery Options:	
4A	0181727		SN 0300087000 to SN 0300110251	
4B	91401281		SN 0300110251 to SN 0300171769	
5	0400075	1	Battery (Wet)	
6		2	Bolt, Battery Hold-down Options:	
6A	0630498		SN 0300087000 to SN 0300110251	
6B	1001093382		SN 0300110251 to SN 0300171769	
7	0641406	3	Bolt 1/4in-20NC x 3/4in	
8	0641408	2	Bolt 1/4in-20NC x 1in	
9	0641416	2	Bolt 1/4in-20NC x 2in	
10	0641508	3	Bolt 5/16in-18NC x 1in	
11	0641514	3	Bolt 5/16in-18NC x 1-3/4in	
12	0641608	1	Bolt 3/8in-16NC x 1in	
13	0641612	2	Bolt 3/8in-16NC x 1-1/2in	
14	0641808	AR	Bolt 1/2in-13NC x 1in	
15	0642010	1	Bolt 5/8in-11NC x 1-1/4in	
16	0903510	1	Bracket, Fuel Pump Filter	
17	1060637	1	Cable, Lanyard (SN 0300087000 to SN 0300109245)	
18	1320022	AR	Clamp, Fuel Line	
19	1320222	1	Clamp	
20	1320323	1	Clamp	
21	1701542	1	Decal, Gas (Not Shown)	
22	1701543	1	Decal, LPG (Not Shown)	
23	Not Used			
24	2180418	1	Fitting, Straight	
25	2220005	1	Fitting, Straight	
26	2220064	1	Fitting, Adapter	
27	2220313	1	Fitting, 90 Barbed (SN 0300087000 to SN 0300109245 Only)	
28	2221176	1	Fitting, 90	
29		7ft/2.1m	Hose, Fuel Line Options:	
	2720058		SN 0300087000 to SN 0300109245	
	Use 1001156819		SN 0300109245 to SN 0300171769 (was p/n 1001091587)	
30	2720392	1	Hose, LP	
31	Use 1001156823	1	Hose, Hi Pressure Fuel Line (6in/15cm Length) (was p/n 2720566)	
32	Use 1001156824	1	Hose, Hi Pressure Fuel Line (4ft/1.2m Length) (was p/n 2720567)	

SECTION 2 TURNTABLE

FIGURE 2-13. GM ENGINE INSTALLATION (WITHOUT UGM) (CONTINUED)

ITEM #	PART NUMBER	QTY.	DESCRIPTION	REV.
33	Use 1001156825	1	Hose (was p/n 2720580)	
34	2750532	5ft/1.5m	Hose (SN 0300087000 to SN 0300109245 Only)	
35	2902531	1	Battery Cable Kit (SN 0300087000 to SN 0300109245)	B
35A	7016822	1	Cable (Battery - to Ground)	
35B	7027015	1	Cable (Battery + to Auxilliary Relay)	
35C	7027016	1	Cable (Auxilliary Relay to Starter)	
35D	7027017	1	Cable (Auxilliary Relay to Auxilliary Pump)	
35E	7027003	1	Cable (Auxilliary Pump to Ground)	
36	3311405	5	Locknut 1/4in-20NC	
37		AR	Locknut Options:	
	3311505		Locknut 5/16in-18NC	
	88521205		Locknut with Nylon Lock 5/16in-18NC	
38	3311605	AR	Locknut 3/8in-16NC	
39	3311805	1	Locknut 1/2in-13NC (SN 0300087000 to SN 0300109245)	
40	3380429	1	Panel, Rubber	
41	3422446	1	Pin	
42	3539957	2	Plate, Hold Down	
43	3790012	1	O-Ring (Not Shown - Located in Console Box)	
44	3841143	1	Keeper	
45	4071122	2	Shim	
46	4360336	1	Switch, Toggle (Not Shown - Located in Console Box)	
47	4569385	1	Tube, Fuel Line	
48	4711400	2	Flatwasher 1/4in Thin	
49	4711600	4	Flatwasher 3/8in Thin	
50	4751400	9	Flatwasher 1/4in Regular	
51	4751600	4	Flatwasher 3/8in Regular (SN 0300087000 to SN 0300110251)	
52	4751800	1	Flatwasher 1/2in Regular (SN 0300087000 to SN 0300109245)	
53	4752000	1	Flatwasher 5/8in Regular	
54	3290405	1	Locknut M4 x 0.7	
55	3290505	1	Locknut M5 x 0.8	
56	4751500	2	Flatwasher 5/16in Regular (SN 0300110251 to SN 0300171769)	
57	Not Used			
58	2300004	2.63gal.	Fluid, Anti-Freeze	
		Ref	GM ENGINE AND PUMP SUB-ASSEMBLY	
	2000374	Ref	2WD SN 0300087000 to SN 0300109245	C
	1001091635	Ref	2WD SN 0300109245 to SN 0300171769	E
	2000373	Ref	4WD SN 0300087000 to SN 0300109245	C
	1001091634	Ref	4WD SN 0300109245 to SN 0300171769	D
101	0100011	AR	Compound, Locking	
102	0641407	1	Bolt 1/4in-20NC x 7/8in	
103	0641812	2	Bolt 1/2in-13NC x 1-1/2in	
104	0641808	1	Bolt 1/2in-13NC x 1in (SN 0300109245 to SN 0300171769)	
105	3311405	1	Locknut 1/4in-20NC	
106	3422532	1	Pin, Hitch	

SECTION 2 TURNTABLE

FIGURE 2-13. GM ENGINE INSTALLATION (WITHOUT UGM) (CONTINUED)

ITEM #	PART NUMBER	QTY.	DESCRIPTION	REV.
107	3600395	1	Gear Pump Assembly with Fittings (See GEAR PUMP ASSEMBLY for Breakdown)	
108		1	Piston Pump Assembly with Fittings Options (See PISTON PUMP ASSEMBLY for Breakdown):	
	3600394	1	2WD	
	3600396	1	4WD	
109	3790152	1	O-Ring	
110	3931620	2	Bolt 3/8in-16NC x 1-1/4in	
111	3960389	1	Seal	
112	4751400	1	Flatwasher 1/4in Regular	
113	4891600	2	Flatwasher 3/8in Hardened	
114	1060637	1	Cable, Lanyard (SN 0300109245 to SN 0300171769)	
115	2902531	1	Battery Cable Kit (SN 0300087000 to SN 0300109245)	B
115A	7016822	1	Cable (Battery - to Ground)	
115B	7027015	1	Cable (Battery + to Auxilliary Relay)	
115C	7027016	1	Cable (Auxilliary Relay to Starter)	
115D	7027017	1	Cable (Auxilliary Relay to Auxilliary Pump)	
115E	7027003	1	Cable (Auxilliary Pump to Ground)	
116	3311805	1	Locknut 1/2in-13NC (SN 0300109245 to SN 0300171769)	
117	4751800	1	Flatwasher 1/2in Regular (SN 0300109245 to SN 0300171769)	
		Ref	GM ENGINE ASSEMBLY	
	2000375	Ref	SN 0300087000 to SN 0300109245	E
	1001091632	Ref	SN 0300109245 to SN 0300171769	E
201	0080201	1	Fitting, 90	
202	0100011	AR	Compound, Locking	
203	0100020	AR	Sealant	
204	0340041	2	Band, Mounting	
205	0641406	10	Bolt 1/4in-20NC x 3/4in	
206	0641606	3	Bolt 3/8in-16NC x 3/4in	
207	0641608	8	Bolt 3/8in-16NC x 1in	
208	0641609	4	Bolt 3/8in-16NC x 1-1/8in	
209	0641610	10	Bolt 3/8in-16NC x 1-1/4in	
210	0641612	4	Bolt 3/8in-16NC x 1-1/2in	
211	0641828	2	Bolt 1/2in-13NC x 3-1/2in	
212	0700810	4	Bolt M8 x 20mm	
213	0940070	1	Bumper	
214	0961986	2	Bearing, Flanged	
215	1320012	3	Clamp	
216	1320016	5	Clamp	
217	1320022	AR	Clamp	
218	1320223	3	Clamp	
219	1340060	1	Air Cleaner Assembly	
	7012664	1	Element, Air Cleaner	
220	1580011	1	Container, Coolant Overflow	
221	1703162	2	Decal - Caution Fan	
222		1	Engine, GM 3.0L Options:	
	2000354		SN 0300087000 to SN 0300109245	
	1001091583		SN 0300109245 to SN 0300171769	

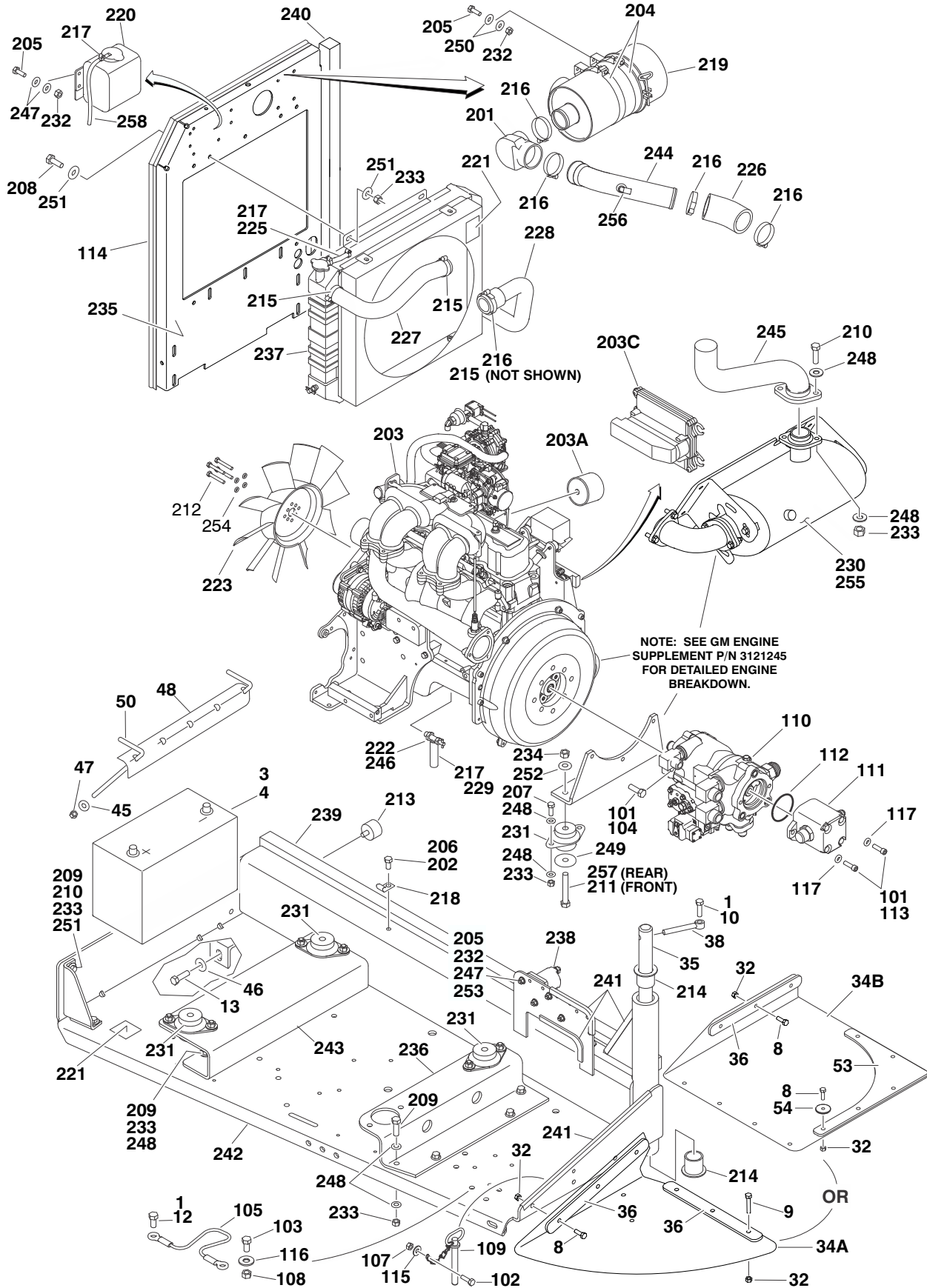
SECTION 2 TURNTABLE

FIGURE 2-13. GM ENGINE INSTALLATION (WITHOUT UGM) (CONTINUED)

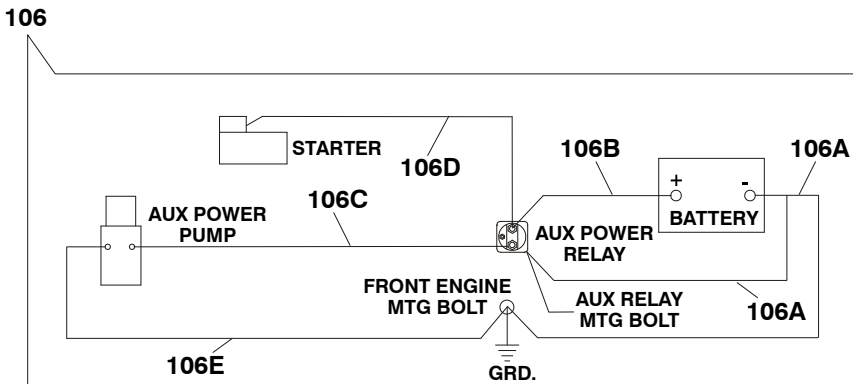
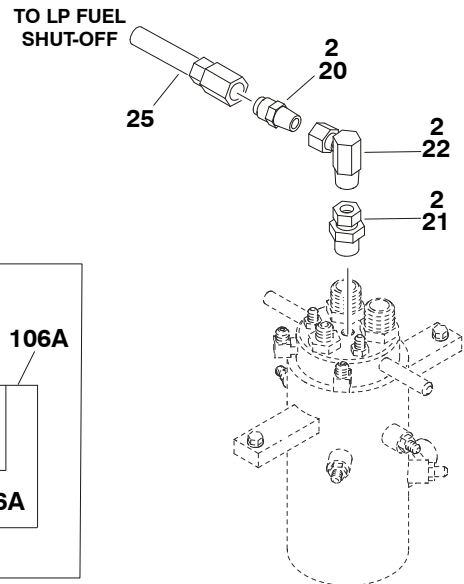
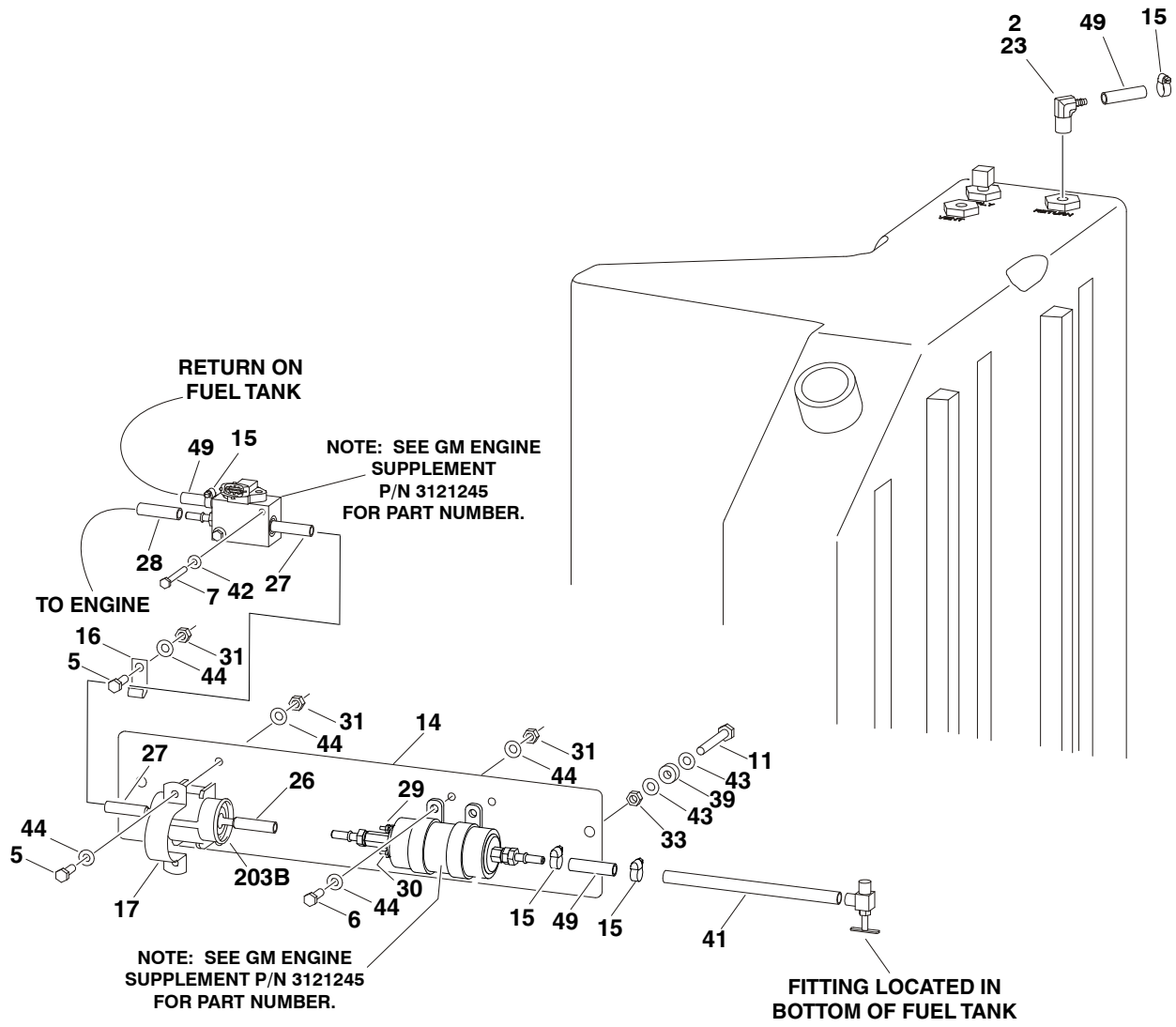
ITEM #	PART NUMBER	QTY.	DESCRIPTION	REV.
222A	7027965	1	Filter, Oil	
222B	7027972	1	Filter, Fuel	
222C	7027994	1	Module, Control (ECU)	
222D	7027996	4	Plug, Spark (Not Shown)	
223	2060025	1	Fan	
224	Not Used			
225	2720058	4in/10cm	Hose	
226	2720514	1	Hose	
227	2720563	1	Hose, Radiator (Top)	
228	2720564	1	Hose, Radiator (Bottom)	
229			Hose Options:	
	2750532	1ft/30cm	Hose - 3/8in	
	1001091892	6in/15cm	Hose - 5/8in	
230		1	Muffler, Insulation Options:	
	2820180		SN 0300087000 to SN 0300109245	
	1001091794		SN 0300109245 to SN 0300171769	
231	3200362	4	Mount, Engine	
232	3311405	10	Locknut 1/4in-20NC	
233	3311605	26	Locknut 3/8in-16NC	
234	3311805	4	Locknut 1/2in-13NC	
235	3539872	1	Plate, Radiator Mounting	
236	3572280	1	Plate, Engine Mount	
237	3620040	1	Radiator	
	7019656	1	Cap, Radiator	
238	3740067	1	Relay	
239	3960468	1	Seal	
240	3960469	1	Seal	
241	4060805	3ft/0.9m	Seal	
242	4341239	1	Tray, Engine	
243	4341241	1	Mount, Engine (Front)	
244	4569342	1	Tube, Intake	
245	4569394	1	Pipe, Exhaust	
246		1	Valve, Oil Drain Options:	
	4640952		Valve SN 0300087000 to SN 0300136527	
	Use 4640952		Valve SN 0300136527 to SN 0300171769 (was p/n 1001105872)	
247	4711400	12	Flatwasher 1/4in Thin	
248	4711600	12	Flatwasher 3/8in Thin	
249	4740274	4	Flatwasher, Snubbing	
250	4751400	8	Flatwasher 1/4in Regular	
251	4751600	43	Flatwasher 3/8in Regular	
252	4751800	2	Flatwasher 1/2in Regular	
253	4791400	2	Starwasher 1/4in	
254	4831900	4	Lockwasher M8	
255	4920385	10ft/3m	Wire, Safety	
256	2180877	1	Fitting, 90 (SN 0300095114 to SN 0300171769)	
257	0641826	2	Bolt 1/2in-13NC x 3-1/4in	
258	2720271	18in/36cm	Hose	

SECTION 2 TURNTABLE

FIGURE 2-14. GM ENGINE INSTALLATION (WITH UGM)



SECTION 2 TURNTABLE



SECTION 2 TURNTABLE

FIGURE 2-14. GM ENGINE INSTALLATION (WITH UGM)

ITEM #	PART NUMBER	QTY.	DESCRIPTION	REV.
		Ref	Note: Only Available on USA Built Machines.	
		Ref	Note: For Module (with/without UGM) Identification, refer to Revision Log page A.	
		Ref	GM ENGINE INSTALLATIONS:	
	1001114644	Ref	2WD	D
	1001114646	Ref	4WD	D
1	0100011	AR	Compound, Locking	
2	0100020	AR	Sealant, Pipe	
3	0100048	AR	Grease, Dielectric	
4	0400075	1	Battery (Wet)	
5	0641406	3	Bolt 1/4in-20NC x 3/4in	
6	0641408	2	Bolt 1/4in-20NC x 1in	
7	0641416	2	Bolt 1/4in-20NC x 2in	
8	0641508	6	Bolt 5/16in-18NC x 1in	
9	Use 3900272	3	Capscrew 5/16in-18NC x 1-3/4in (was p/n 0641514)	
10	0641608	1	Bolt 3/8in-16NC x 1in	
11	0641612	2	Bolt 3/8in-16NC x 1-1/2in	
12	0641808	1	Bolt 1/2in-13NC x 1in	
13	0642010	1	Bolt 5/8in-11NC x 1-1/4in	
14	0903510	1	Bracket, Fuel Pump Filter	
15	1320022	4	Clamp, Fuel Line	
16	1320222	1	Clamp	
17	1320323	1	Clamp	
18	1701542	1	Decal, Gas (Not Shown)	
19	1701543	1	Decal, LPG (Not Shown)	
20	2180418	1	Fitting, Straight	
21	2220005	1	Fitting, Straight	
22	2220064	1	Fitting, Adapter	
23	2221176	1	Fitting, 90	
24	2300004	2.7gal.	Fluid, Anti-Freeze (Not Shown)	
25	2720392	1	Hose, LP	
26	Use 1001156823	1	Hose, Hi Pressure Fuel Line (6in/15cm Length) (was p/n 2720566)	
27	Use 1001156824	1	Hose, Hi Pressure Fuel Line (4ft/1.2m Length) (was p/n 2720567)	
28	Use 1001156825	1	Hose (was p/n 2720580)	
29	3290405	1	Locknut M4 x 0.7	
30	3290505	1	Locknut M5 x 0.8	
31	3311405	5	Locknut 1/4in-20NC	
32	3311505	8	Locknut 5/16in-18NC	
33	3311605	2	Locknut 3/8in-16NC	
34		1	Panel, Rubber Options:	
34A	3380429		Panel SN 0300087000 to SN 0300143246	
34B	1001121891		Panel SN 0300143246 to SN 0300171769	
35	3422446	1	Pin	
36	3539957	AR	Plate, Hold Down	
37	3790012	1	O-Ring (Not Shown - Located in Console Box)	

SECTION 2 TURNTABLE

FIGURE 2-14. GM ENGINE INSTALLATION (WITH UGM) (CONTINUED)

ITEM #	PART NUMBER	QTY.	DESCRIPTION	REV.
38	3841143	1	Keeper	
39	4071122	2	Shim	
40	4360336	1	Switch, Toggle (Not Shown - Located in Console Box)	
41	4569385	1	Tube, Fuel Line	
42	4711400	2	Flatwasher 1/4in Thin	
43	4711600	4	Flatwasher 3/8in Thin	
44	4751400	9	Flatwasher 1/4in Regular	
45	4751500	2	Flatwasher 5/16in Regular	
46	4752000	1	Flatwasher 5/8in Regular	
47	88521205	2	Locknut with Nylon Lock 5/16in-18NC	
48	91401281	1	Hold-down, Battery	
49	Use 1001156819	7ft/2.1m	Hose, Fuel Line (was p/n 1001091587)	
50	1001093382	2	Bolt, Battery Hold-down	
52	Not Used			
53	1001123000	1	Bracket, Baffle Support (SN 0300143246 to SN 0300171769 Only)	
54	4740508	3	Flatwasher, Special (SN 0300143246 to SN 0300171769 Only)	
		Ref	GM ENGINE AND PUMP SUB-ASSEMBLY	
	1001114643	Ref	2WD	D
	1001114645	Ref	4WD	D
101	0100011	AR	Compound, Locking	
102	0641407	1	Bolt 1/4in-20NC x 7/8in	
103	0641808	1	Bolt 1/2in-13NC x 1in	
104	0641812	2	Bolt 1/2in-13NC x 1-1/2in	
105	1060637	1	Cable, Lanyard	
106	2902531	1	Battery Cable Kit	B
106A	7016822	1	Cable (Battery - to Ground)	
106B	7027015	1	Cable (Battery + to Auxiliary Relay)	
106C	7027016	1	Cable (Relay to Auxiliary Pump)	
106D	7027017	1	Cable (Relay to Starter)	
106E	7027003	1	Cable (Relay to Auxiliary Pump)	
107	3311405	1	Locknut 1/4in-20NC	
108	3311805	1	Locknut 1/2in-13NC	
109	3422532	1	Pin, Hitch	
110		1	Piston Pump Assembly with Fittings Options (See PISTON PUMP ASSEMBLY for Breakdown):	
	3600394	1	2WD	
	1001117799	1	4WD	
111	3600395	1	Gear Pump Assembly with Fittings (See GEAR PUMP ASSEMBLY for Breakdown)	
112	3790012	1	O-Ring	
113	3931620	2	Bolt 3/8in-16NC x 1-1/4in	
114	3960389	5ft/1.5m	Seal	
115	4751400	1	Flatwasher 1/4in Regular	
116	4751800	1	Flatwasher 1/2in Regular	
117	4891600	2	Flatwasher 3/8in Hardened	
118	Not Used			
119	1001115930	4.5Qt.	Oil, Engine (Not Shown)	

SECTION 2 TURNTABLE

FIGURE 2-14. GM ENGINE INSTALLATION (WITH UGM) (CONTINUED)

ITEM #	PART NUMBER	QTY.	DESCRIPTION	REV.
	1001114632	Ref	GM ENGINE ASSEMBLY	D
201	0080201	2	Fitting, 90	
202	0100011	AR	Compound, Locking	
203	1001114595	1	Engine, GM 3.0L (See GM Engine Supplement P/N 3121245 for Breakdown of Additional Components)	
	70000164	4	Plug, Spark (Not Shown)	
203A	7027965	1	Filter, Oil	
203B	7027972	1	Filter, Fuel	
203C	70002895	1	Module, Control (ECU)	
204	0340041	2	Band, Mounting	
205	0641406	10	Bolt 1/4in-20NC x 3/4in	
206	0641606	4	Bolt 3/8in-16NC x 3/4in	
207	0641608	9	Bolt 3/8in-16NC x 1in	
208	0641609	4	Bolt 3/8in-16NC x 1-1/8in	
209	0641610	10	Bolt 3/8in-16NC x 1-1/4in	
210	0641612	4	Bolt 3/8in-16NC x 1-1/2in	
211	0641828	2	Bolt 1/2in-13NC x 3-1/2in	
212	0700810	4	Bolt M8 x 20mm	
213	0940070	1	Bumper	
214	0961986	2	Bearing, Flanged	
215	1320012	3	Clamp	
216	1320016	5	Clamp	
217	1320022	4	Clamp	
218	1320223	3	Clamp	
219	1340060	1	Air Cleaner Assembly	
	7012664	1	Element, Air Cleaner	
220	1580011	1	Container, Coolant Overflow	
221	1703162	2	Decal - Caution Fan	
222	0100020	AR	Sealant	
223	2060025	1	Fan	
224	Not Used			
225	2720058	1ft/0.3m	Hose	
226	1001116544	1	Duct, Elbow	
227	2720563	1	Hose, Radiator (Top)	
228	2720564	1	Hose, Radiator (Bottom)	
229	2750532	1ft/0.3m	Hose	
230	1001091794	1	Insulation, Muffler	
231	3200362	4	Mount, Engine	
232	3311405	10	Locknut 1/4in-20NC	
233	3311605	26	Locknut 3/8in-16NC	
234	3311805	4	Locknut 1/2in-13NC	
235	3539872	1	Plate, Radiator Mount	
236	3572280	1	Plate, Engine Mount	
237	3620040	1	Radiator	
	7019656	1	Cap, Radiator	
238	3740067	1	Relay	
239	3960468	1	Seal	
240	3960469	1	Seal	
241	4060805	3ft/0.9m	Seal	

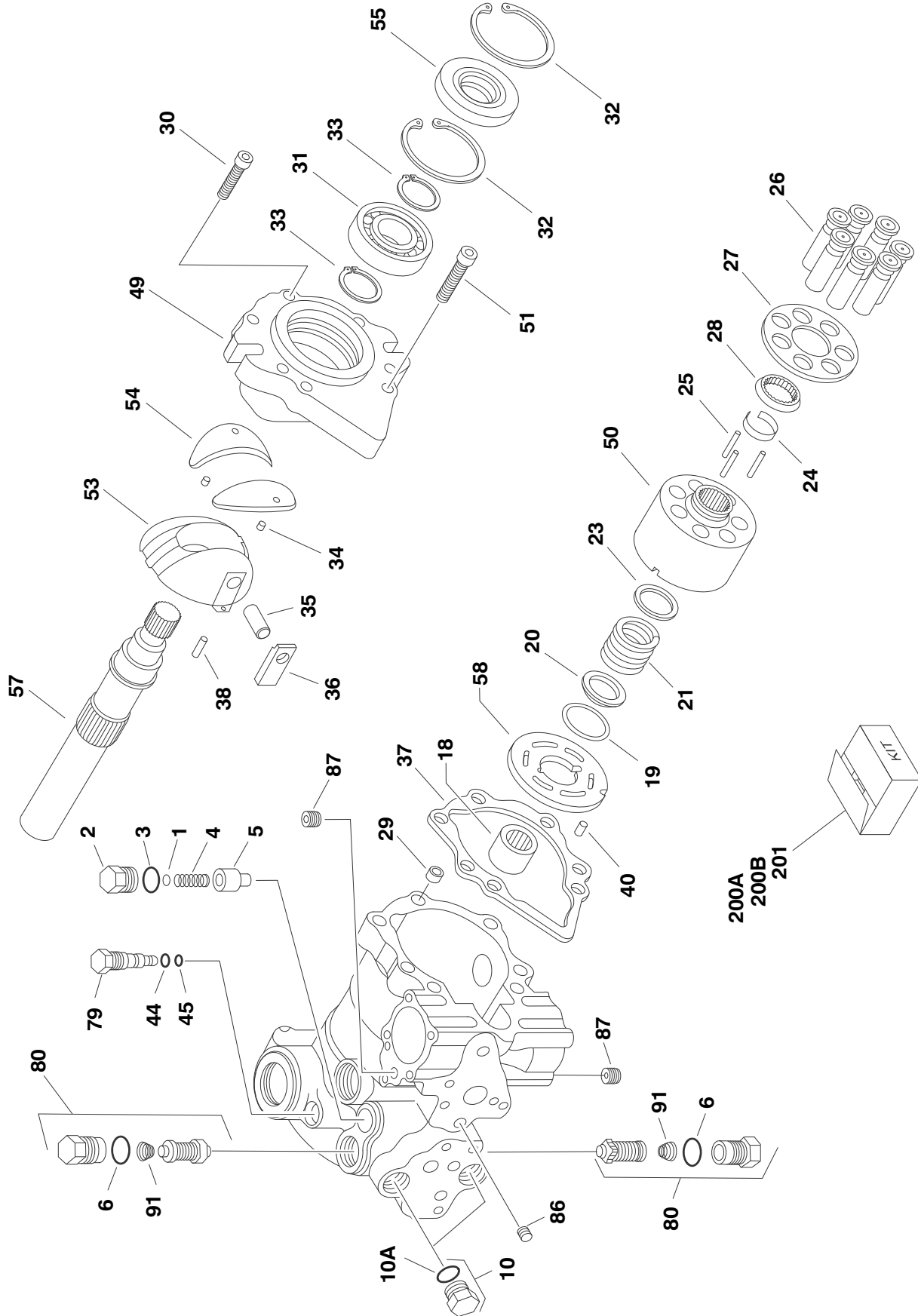
SECTION 2 TURNTABLE

FIGURE 2-14. GM ENGINE INSTALLATION (WITH UGM) (CONTINUED)

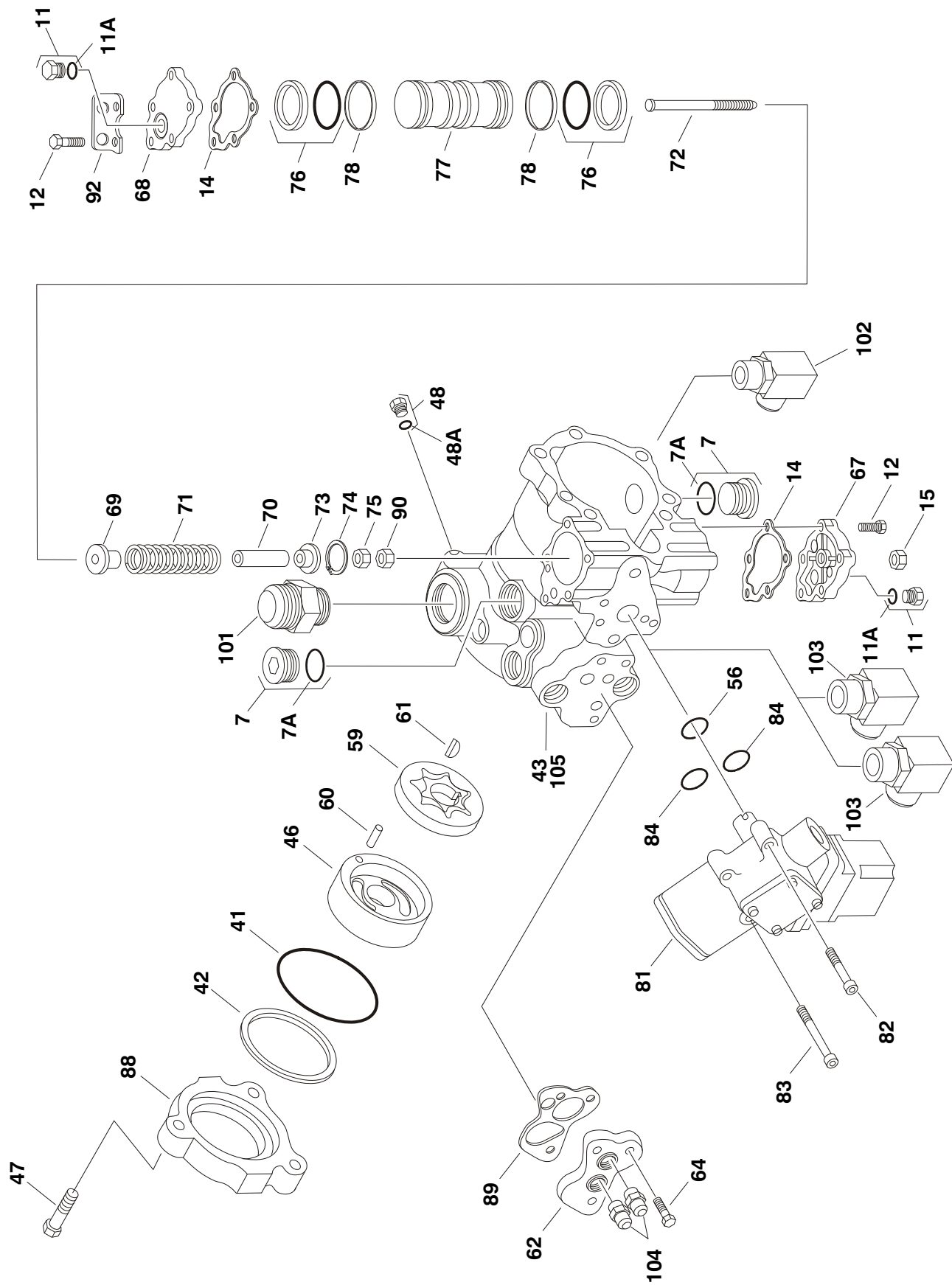
ITEM #	PART NUMBER	QTY.	DESCRIPTION	REV.
242	4341239	1	Tray, Engine	
243	4341241	1	Mount, Engine (Front)	
244	1001116545	1	Tube, Intake	
245	4569394	1	Tube, Exhaust	
246	4640952	1	Valve, Oil Drain	
247	4711400	12	Flatwasher 1/4in Thin	
248	4711600	36	Flatwasher 3/8in Thin	
249	4740274	4	Flatwasher, Snubbing	
250	4751400	8	Flatwasher 1/4in Regular	
251	4751600	16	Flatwasher 3/8in Regular	
252	4751800	4	Flatwasher 1/2in Regular	
253	4791400	2	Starwasher 1/4in	
254	4831900	4	Lockwasher M8	
255	4920385	10ft/3m	Wire, Safety	
256	2180877	1	Fitting 90	
257	0641826	2	Bolt 1/2in-13NC x 3-1/4in	
258	2720271	18in/46cm	Hose	

SECTION 2 TURNTABLE

FIGURE 2-15. PISTON PUMP ASSEMBLY



SECTION 2 TURNTABLE



SECTION 2 TURNTABLE

FIGURE 2-15. PISTON PUMP ASSEMBLY

ITEM #	PART NUMBER	QTY.	DESCRIPTION	REV.
		Ref	PISTON PUMP ASSEMBLY	
	3600388	Ref	2WD	A
	3600381	Ref	4WD	A
1	7007413	1	Shim Kit	
2	7024874	1	Plug (Pump Assembly p/n 3600388) (2WD)	
	7007414	1	Plug (Pump Assembly p/n 3600381) (4WD)	
3	Use 7021232	1	O-Ring	
4	7021200	1	Spring, Relief Valve	
5	7007417	1	Valve, Relief	
6	Use 7021232	2	O-Ring	
7	7007419	2	Plug	
7A	7007418	2	O-Ring	
8	Not Used			
9	Not Used			
10	7007470	2	Plug	
10A	7021256	2	O-Ring	
11	7007470	2	Plug	
11A	7021256	2	O-Ring	
12	7021223	10	Screw	
13	Not Used			
14	Use 7021232	2	Gasket, Servo Cover	
15	7007423	1	Nut, Special	
16	Not Used			
17	Not Used			
18	7007425	1	Bearing, Needle	
19	Use 7010116	1	Ring, Retaining	
20	Use 7010116	1	Washer	
21	Use 7010116	1	Spring	
22	Not Used			
23	Use 7010116	1	Washer	
24	Use 7010116	1	Retainer	
25	Use 7010116	3	Pin, Slipper Holddown	
26	Use 7010116	7	Piston Assembly	
27	Use 7010116	1	Retainer, Slipper	
28	Use 7010116	1	Guide, Retainer	
29	7007435	1	Pin, Spring	
30	7021202	1	Screw	
31	7007437	1	Bearing, Ball	
32	7007438	2	Ring, Retainer	
33	7007439	2	Ring	
34	7021203	2	Pin, Spring	
35	7007441	1	Handle, Pin	
36	7007442	1	Sleeve, Bearing	
37	Use 7021232	1	Gasket, Front Cover	
38	7007444	1	Pin	
39	Not Used			
40	7007446	1	Pin	
41	Use 7021232	1	O-Ring	

SECTION 2 TURNTABLE

FIGURE 2-15. PISTON PUMP ASSEMBLY (CONTINUED)

ITEM #	PART NUMBER	QTY.	DESCRIPTION	REV.
42	Use 7021232	1	Ring, Load Temper	
43	7023977	1	Housing, Pump	
44	Use 7021232	1	Ring, Back-Up	
45	Use 7021232	1	O-Ring	
46	7007452	1	Cover, Gerotor	
47	7007453	3	Bolt, Hex	
48	7007208	1	Plug	
48A	7007207	1	O-Ring	
49	7024875	1	Cover, Front (Pump Assembly p/n 3600388) (2WD)	
	7007454	1	Cover, Front (Pump Assembly p/n 3600381) (4WD)	
50	Use 7010116	1	Block, Cylinder	
51	7021207	6	Screw	
52	Not Used			
53	7007457	1	Swashplate	
54	7021210	1	Journal, Bearing (Pump Assembly p/n 3600388) (2WD)	
	7021212	1	Journal, Bearing (Pump Assembly p/n 3600381) (4WD)	
55	Use 7021232	1	Seal, Lip	
56	Use 7021232	1	O-Ring	
57	7010121	1	Shaft, Main Pump	
58	7021214	1	Plate, Valve	
59	7007463	1	Gerotor Assembly	
60	7007464	1	Pin	
61	7007465	1	Key, Woodruff	
62	7007466	1	Adaptor, Remote Filtration (Without By-Pass)	
63	Not Used			
64	7021218	3	Screw	
65	Not Used			
66	Not Used			
67	7021220	1	Cover, Servo (Without Adjuster)	
68	7021219	1	Cover, Servo (Without Adjuster)	
69	7023979	1	Guide, Spring	
70	7007484	1	Stop, Servo	
71	7007485	1	Spring	
72	7021221	1	Screw	
73	7007487	1	Guide, Spring	
74	7007488	1	Ring, Retaining	
75	7021222	1	Locknut	
76	See Note	2	Ring, Piston (Note: Use Item 200A or 200B)	
77	7007494	1	Piston, Servo	
78	See Note	2	O-Ring (Note: Use Item 200A or 200B)	
79	7024877	1	Valve, Bypass (Pump Assembly p/n 3600388) (2WD)	
	7007472	1	Valve, Bypass (Pump Assembly p/n 3600381) (4WD)	
80	7010122	2	Valve, Pressure Relief (Includes Item 6) (Pump Assembly p/n 3600388) (2WD)	
	7024851	2	Valve, Pressure Relief (Includes Item 6) (Pump Assembly p/n 3600381) (4WD)	
81	7007474	1	Control, Dual Oil-Filled	
	7007496	1	Coil Assembly (Pilot)	
	7007497	1	Plug (Pump)	
	7007498	1	Plug (Valve Harness)	

SECTION 2 TURNTABLE

FIGURE 2-15. PISTON PUMP ASSEMBLY (CONTINUED)

ITEM #	PART NUMBER	QTY.	DESCRIPTION	REV.
82	7001498	2	Screw	
83	7007478	2	Screw	
84	7001433	2	O-Ring	
85	Not Used			
86	7007475	1	Plug, Orifice/Screen (.156)	
87	7007477	2	Plug, Orifice (.37)	
88	7007476	1	Adapter, Auxiliary Pump	
89	7021217	1	Spacer/Gasket	
90	7021206	1	Nut	
91	7024800	2	Spring	
92	7021201	1	Bracket, Lifting	
		Ref	PISTON PUMP AND FITTING ASSEMBLIES	
	3600394	Ref	2WD	D
	3600396	Ref	4WD (USA Built Machines SN0300087000 to SN0300139336)	C
	1001117799	Ref	4WD (USA Built Machines SN 0300139336 to SN0300171769)	A
	1001117799	Ref	4WD (China Built Machines SN B300000100 to Present)	A
101	2220377	1	Fitting, Straight	
	2220479	1	Fitting, Straight	
102	2220578	1	Fitting, 90	
103	2220646	2	Fitting, 90	
104	2220947	2	Fitting, Straight	
105		1	Pump Options (Includes Items 1 - 92)	
	3600388		2WD	
	3600381		4WD	
		Ref	KIT OPTIONS:	
200		AR	Seal Kit Options:	
200A	7021232	1	Seal Kit - Complete (Includes Items 3, 6, 14, 37, 41, 42, 44, 45, 55, 56, 76, 78, 84 & 89)	
200B	7007412	1	Seal Kit - Servo Piston (Includes Items 76 & 78)	
201	7010116	1	Cylinder Block Kit (Includes Items 19-28, & 50)	

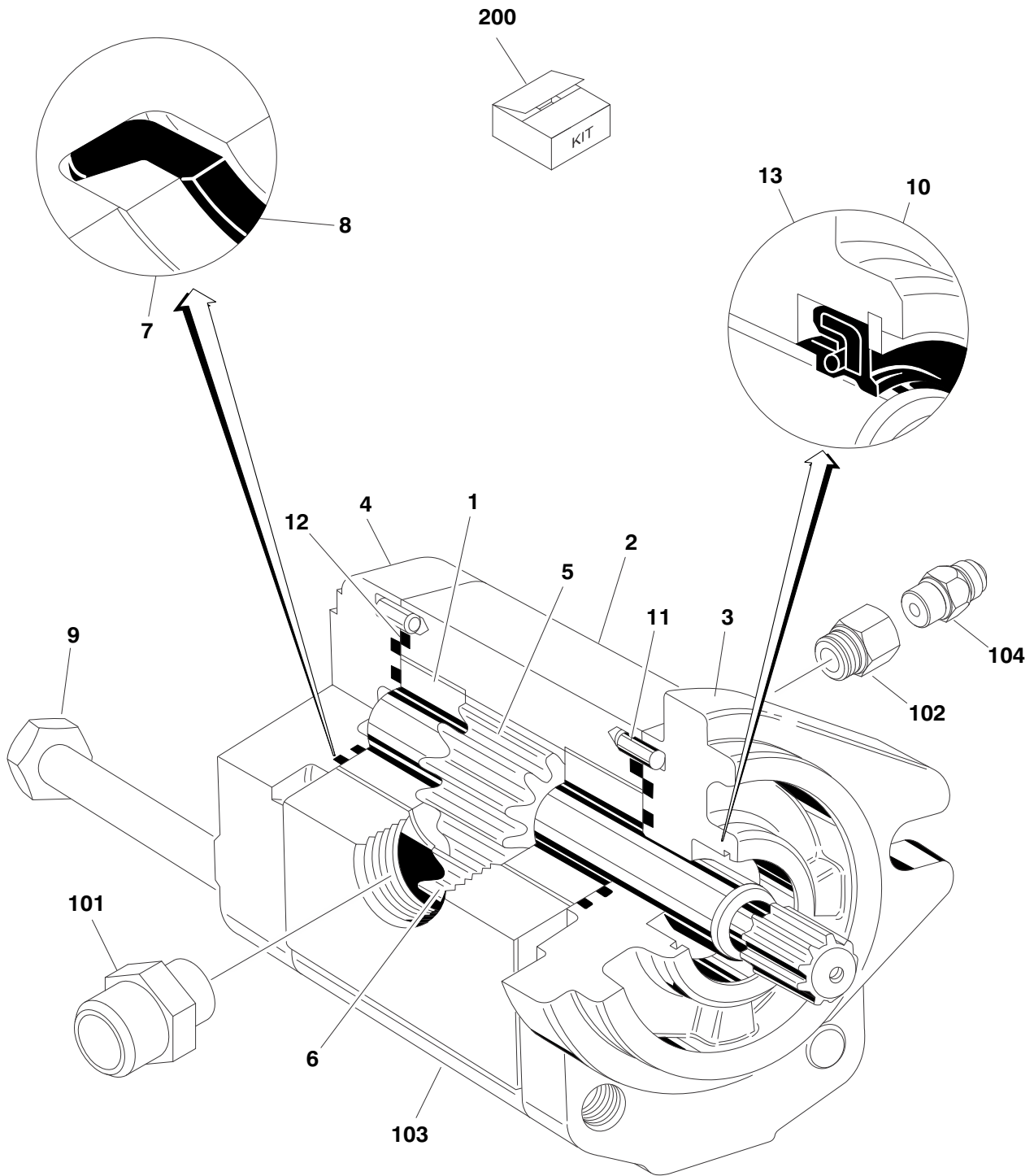
SECTION 2 TURNTABLE

FIGURE 2-15. PISTON PUMP ASSEMBLY (CONTINUED)

ITEM #	PART NUMBER	QTY.	DESCRIPTION	REV.

SECTION 2 TURNTABLE

FIGURE 2-16. GEAR PUMP ASSEMBLY



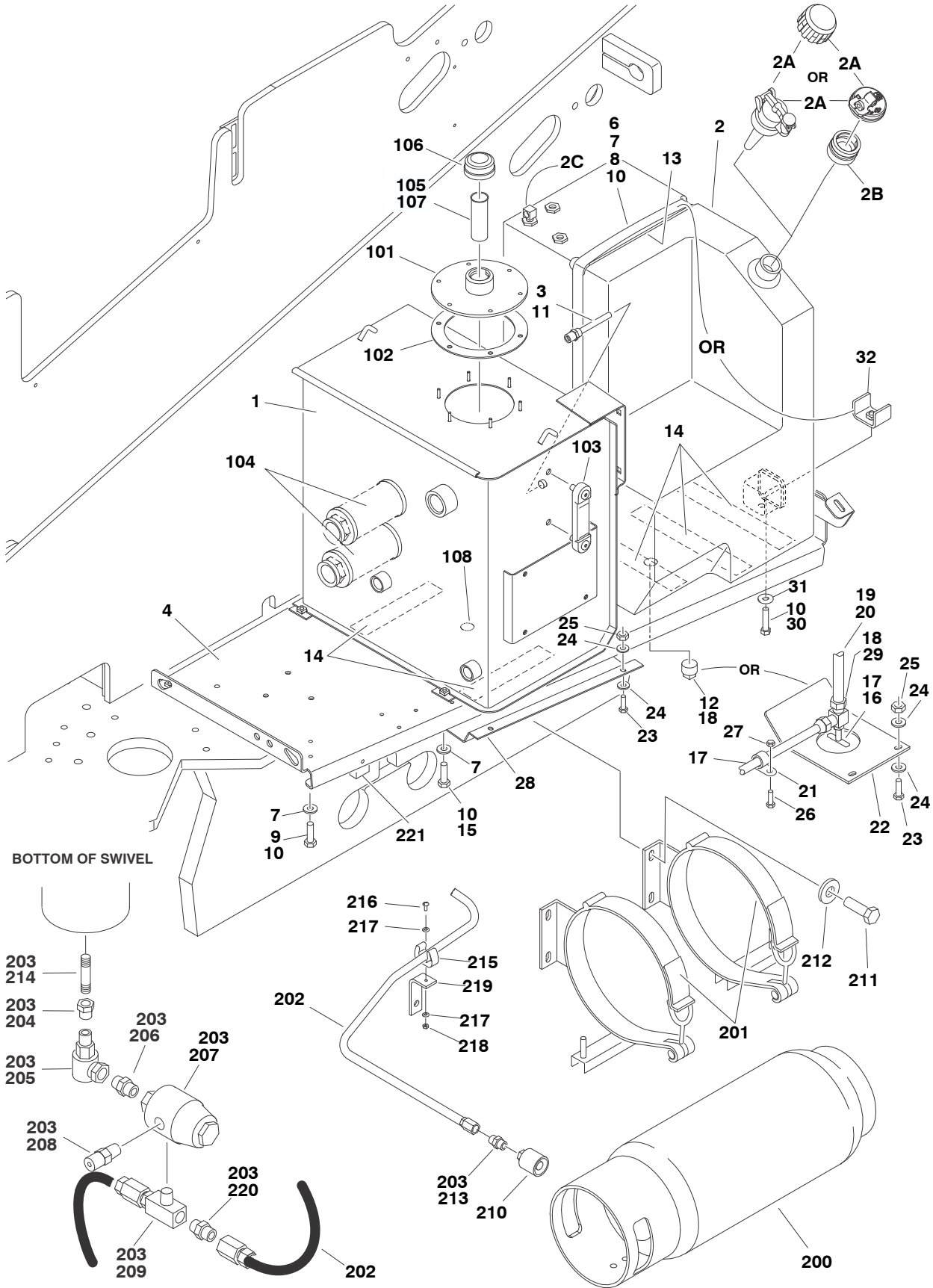
SECTION 2 TURNTABLE

FIGURE 2-16. GEAR PUMP ASSEMBLY

ITEM #	PART NUMBER	QTY.	DESCRIPTION	REV.
	3600242	Ref	GEAR PUMP ASSEMBLY	
1	7010105	2	Bearing/Bushing	
2	See Note	1	Housing (Note: Not Available - Purchase p/n 3600242 Complete Replacement.)	
3	See Note	1	Flange (Note: Not Available - Purchase p/n 3600242 Complete Replacement.)	
4	7010103	1	Cover	
5	7012987	1	Gear, Drive	
6	7012988	1	Gear, Idler	
7	Use 7007489	2	Ring, Anti-Extrusion	
8	Use 7007489	2	Seal	
9	See Note	4	Bolt (Note: Not Available for Purchase.)	
10	7010104	1	Ring, Retaining	
11	See Note	4	Pin, Dowel (Note: Not Available for Purchase.)	
12	Use 7007489	2	Seal, O-Ring	
13	Use 7007489	1	Seal, Shaft	
	3600395	Ref	GEAR PUMP AND FITTING ASSEMBLY	A
101	2220376	1	Fitting, Straight	
102	2220810	1	Fitting, Reducer	
103	3600242	1	Pump (Includes Items 1 - 13)	
104	4640744	1	Fitting, Check Valve	
		Ref	KIT OPTIONS	
200	7007489	1	Seal Kit (Includes Items 7,8,12 & 13)	

SECTION 2 TURNTABLE

FIGURE 2-17. TANK INSTALLATIONS



SECTION 2 TURNTABLE

FIGURE 2-17. TANK INSTALLATIONS

ITEM #	PART NUMBER	QTY.	DESCRIPTION	REV.
		Ref	TANKS INSTALLATIONS	
	0254849	Ref	Diesel Machines	12/G
	0271250	Ref	Dual Fuel Machines (USA Built Machines SN 0300087000 to SN 0300140981)	I
	1001116341	Ref	Dual Fuel Machines (USA Built Machines SN 0300140981 to SN 0300171769)	A
1	4400449	1	Hydraulic Tank Assembly (See Items 101-108 for Breakdown)	
2	4400400	1	Tank, Fuel Options:	
	4400400		Diesel Machines	
	Use 1001111514		Dual Fuel Machines (USA Built Machines SN 0300087000 to SN 0300109245)	
			Dual Fuel Machines (USA Built Machines SN 0300109245 to SN 0300140981) (was p/n 1001091562)	
	1001111514		Dual Fuel Machines (SN 03000140981 to SN 0300171769)	
2A		1	Cap Options:	
	7016314		Diesel Machines	
	1120362		Standard Black Cap - Non-Locking	
	1120487		Optional Cap with Fuel Gauge (Not Included with Tank)	
			Optional Blue Cap (Not Included with Tank)	
	7016314		Dual Fuel Machines	
			Standard Black Cap (USA Built Machines SN 0300087000 to SN 0300109245)	
	70001103		Standard Black Cap (USA Built Machines SN 0300109245 to SN 0300140981)	
	70002715		Standard Black Cap (USA Built Machines SN 0300140981 to SN 0300171769)	
	1120484		Optional Red Cap - Ford Engine Machines Only (Not Included with Tank)	
2B	70002716	1	Adapter (USA Built Gas Machines SN 0300140001 to SN 0300171769)	
2C		1	Tube, Fuel Pick-up (with Fitting) Options:	
	7019658		Dual Fuel Engine Machines (USA Built Machines SN 0300087000 to SN 0300109245)	
	70004184		Dual Fuel Engine Machines (SN 0300109245 to SN 0300140981)	
	70004149		Dual Fuel Engine Machines (SN 03000140981 to SN 0300171769)	
	7019658		Diesel Engine Machines	
3	4360436	1	Switch, Fuel Level	
4		1	Hydraulic Tray Weldment Options:	
	4845393		USA Built Machines SN 0300087000 to SN 0300117084	
	1001091911		USA Built Machines SN 0300117084 to SN 0300171769	
	1001091911		China Built Machines SN B300000100 to Present	
5	Not Used			
6	4240113	1	Strap, Tank	
7	4751600	AR	Flatwasher 3/8in Regular	
8	3311601	AR	Nut 3/8in-16NC	
9	0641614	6	Bolt 3/8in-16NC x 1-3/4in	
10	0100011	AR	Compound, Locking	

SECTION 2 TURNTABLE

FIGURE 2-17. TANK INSTALLATIONS (CONTINUED)

ITEM #	PART NUMBER	QTY.	DESCRIPTION	REV.
11	0100079	AR	Sealant, Pipe	
12	2200233	1	Plug (Diesel Machines Only)	
13	4280295	25in/44cm	Strip, Protective	
14	4420038	70in/1.78m	Tape, Rubber	
15	0641608	4	Bolt 3/8in-16NC x 1in	
		Ref	Note: Items 16 - 32 Used on Dual Fuel Machines Only	
16	4641022	1	Valve, Needle	
17	4568116	1	Tube, Fuel	
18	0100020	AR	Sealant	
19	0100062	AR	Retaining Compound #680	
20	4568119	1	Tube, Fuel	
21	1320245	1	Clamp	
22	3572423	1	Plate, Valve, Needle	
23	0641508	AR	Bolt 5/16in-18NC x 1in	
24	4711500	AR	Flatwasher 5/16in Thin	
25	3311505	AR	Locknut 5/16in-18NC	
26	0641412	1	Bolt 1/4in-20NC x 1-1/2in	
27	3311405		Locknut 1/4in-20NC	
28	3576755	1	Cover, Fuel Pump	
29	2221270	1	Fitting, Brass	
30	0641818	2	Bolt 1/2in-13NC x 2-1/4in (USA Built Machines SN 0300140981 to SN 0300171769 & China Built Machines SN B30000100 to Present)	
31	4751800	2	Flatwasher 1/2in Regular (USA Built Machines SN 0300140981 to SN 0300171769 & China Built Machines SN B30000100 to Present)	
32	1001118133	2	Bracket (USA Built Machines SN 0300140981 to SN 0300171769 & China Built Machines SN B30000100 to Present)	
	4400449	Ref	HYDRAULIC TANK ASSEMBLY	F
101	7024439	1	Cover	
102	7024440	1	Gasket	
103	7024441	1	Gauge, Sight	
104	7024442	2	Strainer	
105	7024443	1	Filler Neck	
106	7024444	1	Cap, Vented	
107	7024445	1	Strainer	
108	7024446	1	Plug, Magnetic	
	0255524	Ref	LP TANK BRACKETS INSTALLATION (USA BUILT MACHINES ONLY)	9/F
200		1	Tank, LP - 43.5 Lbs. Options:	
	4400275		Aluminum	
	4400420		Steel	
201	1320220	2	Clamp	
	1320127	2	Clamp, Toggle (1 Per Clamp)	
202	2720144	2	Hose	

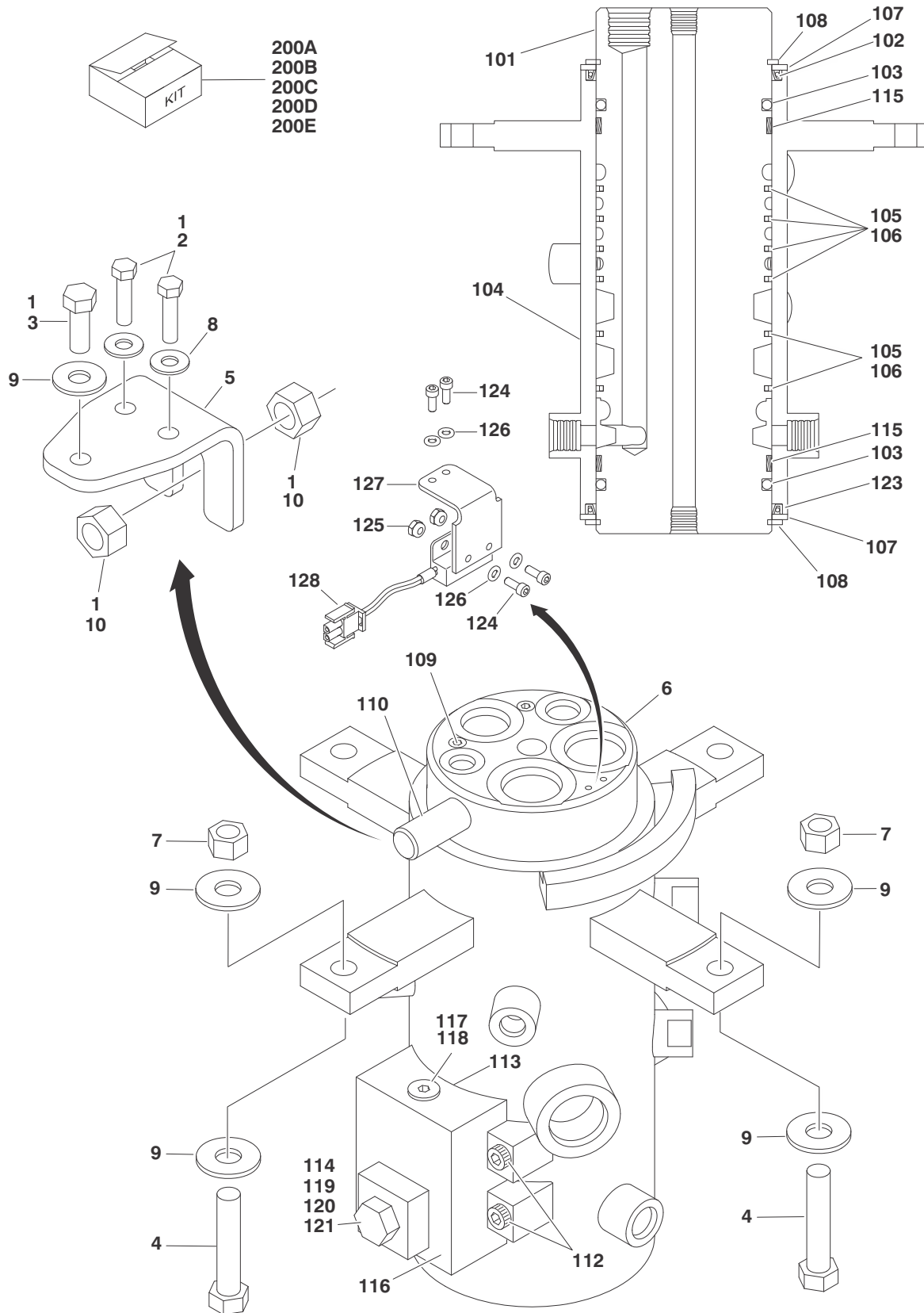
SECTION 2 TURNTABLE

FIGURE 2-17. TANK INSTALLATIONS (CONTINUED)

ITEM #	PART NUMBER	QTY.	DESCRIPTION	REV.
203	0100020	AR	Sealant, Pipe	
204		1	Fitting, Reducer Options: SN 0300087000 to SN 0300136527	
	2221019		SN 0300136527 to Present	
	2221197			
205	2180125	1	Fitting, 90 Swivel	
206	2220261	AR	Fitting, Nipple	
207	2180388	1	Fitting, Bulkhead	
208	2180389	1	Valve, Relief	
209	2220418	1	Fitting, Tee Options:	
210	2180387	2	Fitting, Straight	
211	0641606	8	Bolt 3/8in-16NC x 3/4in	
212	4751600	8	Flatwasher 3/8in Regular	
213	2180418	2	Fitting, Connector	
214	2221018	1	Fitting, Nipple (SN 0300087000 to SN 0300136527)	
215	1320218	2	Clamp, Spring	
216	3910808	2	Screw, Round Head #8-32NC x 1/2in	
217	4750800	4	Flatwasher #8 Regular	
218	3310805	2	Locknut #8-32NC	
219	0181949	2	Angle, Support	
220	2221024	2	Fitting, Union Ball Check	
221	0362519	4	Bar	

SECTION 2 TURNTABLE

FIGURE 2-18. ROTARY COUPLING INSTALLATION



SECTION 2 TURNTABLE

FIGURE 2-18. ROTARY COUPLING INSTALLATION

ITEM #	PART NUMBER	QTY.	DESCRIPTION	REV.
		Ref	ROTARY COUPLING INSTALLATIONS	
		Ref	2WS - USA Built Machines:	
	0273052	Ref	SN 0300087000 to SN 0300138729	G
	1001107498	Ref	SN 0300138729 to SN 0300171769	A
		Ref	2WS - China Built Machines:	
	1001107498	Ref	SN B300000100 to Present	A
		Ref	4WS - USA Built Machines:	
	0273161	Ref	SN 0300087000 to SN 0300138729	G
	1001107499	Ref	SN 0300138729 to SN 0300171769	A
		Ref	4WS - China Built Machines:	
	1001107499	Ref	SN B300000100 to Present	A
1	0100011	AR	Compound, Locking	
2	0641612	2	Bolt 3/8in-16NC x 1-1/2in	
3	0641811	1	Bolt 1/2in-13NC x 1-3/8in	
4	0641820	2	Bolt 1/2in-13NC x 2-1/2in	
5	0903056	1	Bracket	
6		1	Coupling, Rotary Options (See Items 101-123 for Breakdown):	
	Use 1660303		2WS - USA Built Machines:	
	1660303		SN 0300087000 to SN 0300113930 (was p/n 1660257)	
	1001106974		SN 0300113930 to SN 0300138729	
			SN 0300138729 to SN 0300171769	
	1001106974		2WS - China Built Machines:	
			SN B300000100 to Present	
	Use 1660304		4WS - USA Built Machines:	
	1660304		SN 0300087000 to SN 0300113930 (was p/n 1660258)	
	1001106975		SN 0300113930 to SN 0300138729	
			SN 0300138729 to SN 0300171769	
	1001106975		4WS - China Built Machines:	
			SN B300000100 to Present	
7	3271805	2	Locknut 1/2in-13NC	
8	4751600	2	Flatwasher 3/8in Regular	
9	4751800	5	Flatwasher 1/2in Regular	
10	3322201	2	Nut 3/4in-16NC	

SECTION 2 TURNTABLE

FIGURE 2-18. ROTARY COUPLING INSTALLATION (CONTINUED)

ITEM #	PART NUMBER	QTY.	DESCRIPTION	REV.
		Ref	ROTARY COUPLING ASSEMBLIES	
		Ref	2WS - USA Built Machines:	
	Use 1660303	Ref	SN 0300087000 to SN 0300113930 (was p/n 1660257)	D
	1660303	Ref	SN 0300113930 to SN 0300138729	B
	1001106974	Ref	SN 0300138729 to SN 0300171769	A
		Ref	2WS - China Built Machines:	
	1001106974	Ref	SN B300000100 to Present	A
		Ref	4WS - USA Built Machines:	
	Use 1660304	Ref	SN 0300087000 to SN 0300113930 (was p/n 1660258)	D
	1660304	Ref	SN 0300113930 to SN 0300138729	B
	1001106975	Ref	SN 0300138729 to SN 0300171769	A
		Ref	4WS - China Built Machines:	
	1001106975	Ref	SN B300000100 to Present	A
101	See Note	1	Body (Note: Not Available - Purchase Complete Rotary Coupling Assembly.)	
102		1	Seal Options:	
	7026189		2WS (P/N 1660257 Coupling)	
	Use 70001248		2WS (P/Ns 1660303 & 1001106974 Coupling)	
	See Note		4WS (Note: Use Item 200C, 200D or 200E)	
103	See Note	2	O-Ring (Note: Use Item 200A, 200B, 200C, 200D or 200E)	
104	See Note	1	Housing (Note: Not Available - Purchase Complete Rotary Coupling Assembly.)	
105		AR	Seal, Cap	
	See Note	6	2WS (Note: Use Item 200A or 200B)	
	See Note	9	4WS (Note: Use Item 200C, 200D or 200E)	
106		AR	O-Ring	
	See Note	6	2WS (Note: Use Item 200A or 200B)	
	See Note	9	4WS (Note: Use Item 200C, 200D or 200E)	
107		2	Ring Options:	
	7026503		2WS	
	7026511		4WS	
108		AR	Ring, Retaining Options:	
	7026504	2	1660257 Coupling	
		1	1660303 & 1001106974 Coupling	
	7013189	4	4WS	
		2	1660258 Coupling	
		1	1660304 & 1001106975 Coupling	
109		AR	Plug Options:	
			2WS	
	See Note	2	1660257 Coupling (Note: Not Available - Purchase Locally.)	
	80934561	2	1660303 & 1001106974 Coupling	
			4WS	
	See Note	4	1660258 Coupling (Note: Not Available - Purchase Locally.)	
	80934561	4	1660304 & 1001106975 Coupling	
110	See Note	1	Lug, Torque (Note: Not Available for Purchase.)	
111	Not Used			

SECTION 2 TURNTABLE

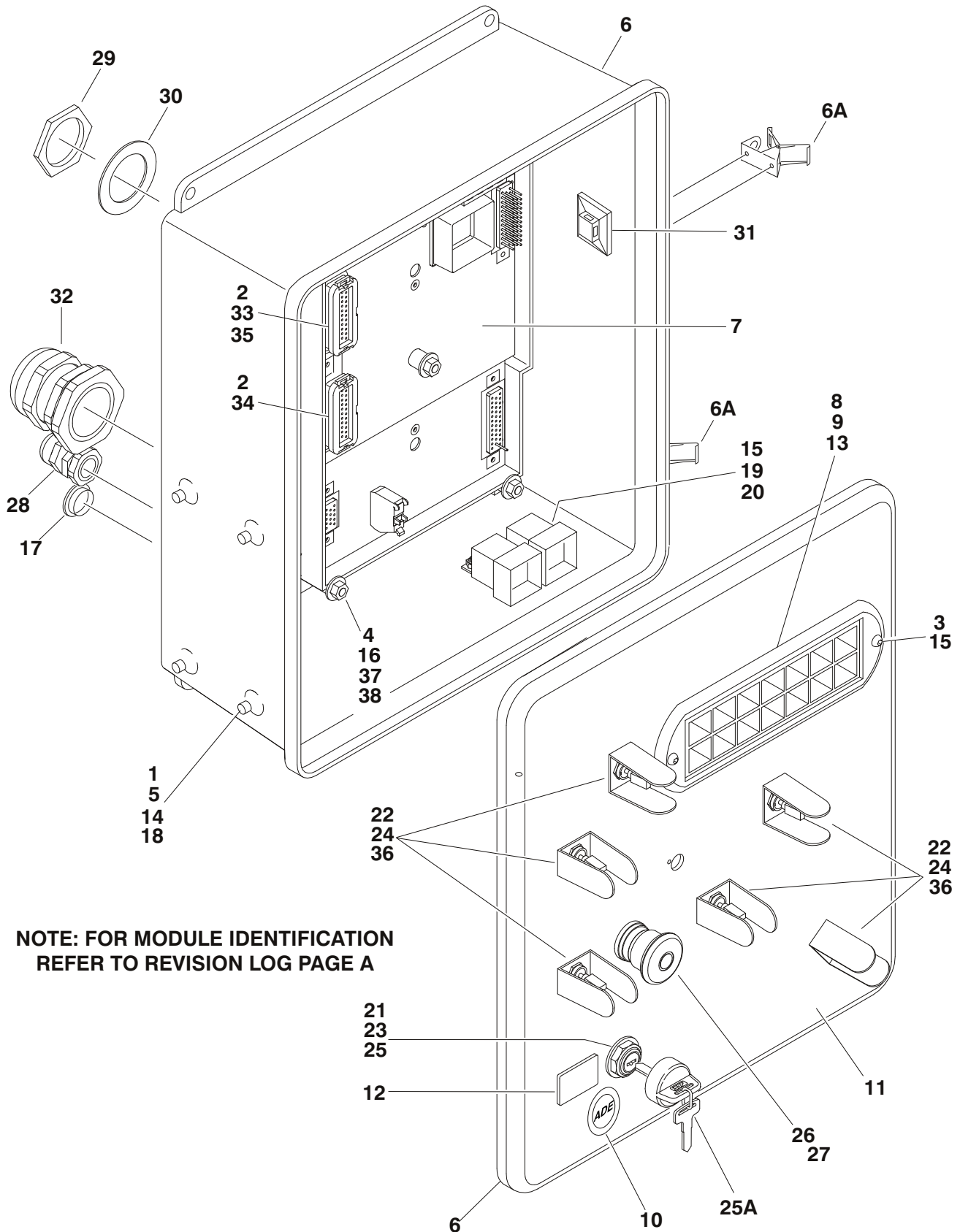
FIGURE 2-18. ROTARY COUPLING INSTALLATION (CONTINUED)

ITEM #	PART NUMBER	QTY.	DESCRIPTION	REV.
112	7026197	4	Bolt 5/16in-18NC x 1-1/4in	
113	See Note	3	O-Ring (Note: Use Item 200A, 200B, 200C, 200D or 200E)	
114	See Note	1	O-Ring (Note: Use Item 200A, 200B, 200C, 200D or 200E)	
115	See Note	2	Bearing (Note: Use Item 200A, 200B, 200C, 200D or 200E)	
116	7024404	1	Block Valve Assembly	
117	7026505	1	Plug	
118	7026506	1	Valve, Check	
119	7026507	1	Plug	
120	7026508 Use 7024404	1	Plunger, Valve Options: 1660257 & p/n 1660258 Couplings 1660303, 1660304, 1001106974 & 1001106975 Couplings	
121	7026509	1	Spring, Compression	
122	See Note	AR	Protective Netting (Not Shown) (1660303, 1660304, 1001106974 & 1001106975 Couplings) (Note: Not Available for Purchase.)	
123	7026189 Use 70001248 See Note	1	Seal Options: 1660257 Couplings 1660303 & 1001106974 Couplings 1660258, 1660304 & 1001106975 Couplings (Note: Use Item 200C, 200D or 200E)	
124	See Note	4	Screw, Socket Head #10-24NC x 1/2in (Note: Not Available - Purchase Locally.)	
125	See Note	2	Locknut #10-24NC (Note: Not Available - Purchase Locally.)	
126	See Note	4	Flatwasher #10 Regular (Note: Not Available - Purchase Locally.)	
127	70003454	1	Bracket, Switch Mounting	
128	4360517	1	Switch, Proximity	

		Ref	KIT OPTIONS	
200		1	Seal Kit Options:	
200A	7026510		1660257 Coupling (Includes Items 103,105,106,113,114 & 115. Items 102 & 123 must be purchased separately)	
200B	70001248		1660303 & 1001106974 Couplings (Includes Items 102,103,105,106,113,114,115 & 123)	
200C	7026512		1660258 Coupling (Includes Items 102,103,105,106,113,114, 115 & 123)	
200D	70001249		1660304 Coupling (Includes Items 102,103,105,106,113,114, 115 & 123)	
200E	70002212		1001106975 Coupling (Includes Items 102,103,105,106,113, 114,115 & 123)	

SECTION 2 TURNTABLE

FIGURE 2-19. GROUND CONTROL BOX ASSEMBLY (WITHOUT UGM)



SECTION 2 TURNTABLE

FIGURE 2-19. GROUND CONTROL BOX ASSEMBLY (WITHOUT UGM)

ITEM #	PART NUMBER	QTY.	DESCRIPTION	REV.
		Ref	Note: Only Available on USA Built Machines.	
		Ref	Note: For Module Identification (Non-UGM/UGM), refer to Revision Log page A.	
		Ref	GROUND CONTROL BOX ASSEMBLIES	
		Ref	600S (SN 0300087000 to SN 0300099060):	
	0861696	Ref	Caterpillar Engine (ANSI & ANSI Export Specs)	B
	0861698	Ref	Caterpillar Engine (Australian & CE Specs)	B
	0861685	Ref	Deutz Engine (ANSI & ANSI Export Specs)	B
	0861687	Ref	Deutz Engine (Australian & CE Specs)	B
	0861694	Ref	Ford Engine (ANSI & ANSI Export Specs)	B
	0861788	Ref	GM Engine (ANSI & ANSI Export Specs)	B
		Ref	600S (SN 0300099060 to SN 0300171769):	
	1810071	Ref	Caterpillar Engine (ANSI & ANSI Export Specs)	D
	1810072	Ref	Caterpillar Engine (Australian & CE Specs)	D
	1810069	Ref	Deutz Engine (ANSI & ANSI Export Specs)	C
	1810070	Ref	Deutz Engine (Australian & CE Specs)	C
	1810068	Ref	GM Engine (ANSI & ANSI Export Specs)	C
		Ref	600SJ & 660SJ (SN 0300087000 to SN 0300099060):	
	0861697	Ref	Caterpillar Engine (ANSI & ANSI Export Specs)	B
	0861699	Ref	Caterpillar Engine (Australian & CE Specs)	B
	0861686	Ref	Deutz Engine (ANSI & ANSI Export Specs)	B
	0861688	Ref	Deutz Engine (Australian & CE Specs)	B
	0861695	Ref	Ford Engine (ANSI & ANSI Export Specs)	C
	0861789	Ref	GM Engine (ANSI & ANSI Export Specs)	B
		Ref	600SJ & 660SJ (SN 0300099060 to SN 0300171769):	
	1810076	Ref	Caterpillar Engine (ANSI & ANSI Export Specs)	D
	1810077	Ref	Caterpillar Engine (Australian & CE Specs)	D
	1810074	Ref	Deutz Engine (ANSI & ANSI Export Specs)	C
	1810075	Ref	Deutz Engine (Australian & CE Specs)	C
	1810073	Ref	GM Engine (ANSI & ANSI Export Specs)	C
1	0100011	AR	Compound, Locking	
2	0100048	AR	Grease, Dielectric	
3	0630518	2	Capscrew, Button Head	
4	0630548	5	Bolt	
5	0641506	4	Bolt 5/16in-18NC x 3/4in	
6	0861389	1	Box, Fiberglass	
6A	7020246	2	Latch	
7		1	Module, Ground Control (Re-calibration Required when Replaced) Options:	
	1600364		Caterpillar & Ford Engines (SN 0300087000 to SN 0300099060)	
	1600411		Caterpillar Engines (SN 0300099060 to SN 0300171769)	
	1600411		Deutz & GM Engines	
	2915014	1	Update Kit (Includes Module, Cables, Programming Instructions & CD Software) (Use with 1600364)	
8	1670829	1	Bezel	

SECTION 2 TURNTABLE

FIGURE 2-19. GROUND CONTROL BOX ASSEMBLY (WITHOUT UGM) (CONTINUED)

ITEM #	PART NUMBER	QTY.	DESCRIPTION	REV.
9	1705753 1706712	1	Decal - Ground Control Display Options: SN 0300087000 to SN 0300099060 SN 0300099060 to SN 0300171769	
10	1705132	1	Decal - ADE (SN 0300087000 to SN 0300099060)	
11	1703465 1706914 1001102601 1703466 1706915 1001102602	1	Decal - Faceplate Options: 600S Options: SN 0300087000 to SN 0300099060 SN 0300099060 to SN 0300135021 SN 0300135021 to SN 0300171769 600SJ/660SJ Options: SN 0300087000 to SN 0300099060 SN 0300099060 to SN 0300135021 SN 0300135021 to SN 0300171769	
12	2420172	1	Gauge, Hourmeter	
13	2760105	1	Housing, Display Light	
14	3300205	4	Nut, Retainer	
15	3300408	4	Locknut, Plastic Insert	
16	3311401	10	Nut 1/4in-20NC	
17	3520035	1	Plug, Cap	
18	3539219	1	Plate, Reinforcement	
19	3740049	AR	Relay Options: 3 Caterpillar Engines 2 Deutz, Ford & GM Engines	
20	3900268	2	Screw, Flange #10 x 1/2in	
21	3910804	6	Screw #8-32NC x 1/4in	
22	4060906	AR	Shield, Toggle Switch Options: 6 600S SN 0300087000 to SN 0300135021 7 600SJ & 660SJ SN 0300087000 to SN 0300135021 1 All Models SN 0300135021 to SN 0300171769	
23	4070987	1	Shim (.015in)	
24	4360328	AR	Switch, Toggle 6 600S 7 600SJ & 660SJ	
25	4360469 4360470	1	Switch, Key Options: ANSI & ANSI Export Specs Australian & CE Specs	
25A	2860030	1	Key Replacement	
26	4360475	1	Switch, Emergency Stop	
27	4360476	1	Switch, Contact Block	
28	4460426	1	Connector, Strain Relief	
29	4460470	1	Nut, Terminal	
30	4460471	1	Lockwasher, Terminal	
31	4460488	AR	Mounting Base, Terminal	
32	4460526	1	Connector, Strain Relief	
33	4460874	1	Connector (Natural)	
34	4460875	1	Connector (Gray)	
35	4460905	4	Connector, Amp Seal Plug	

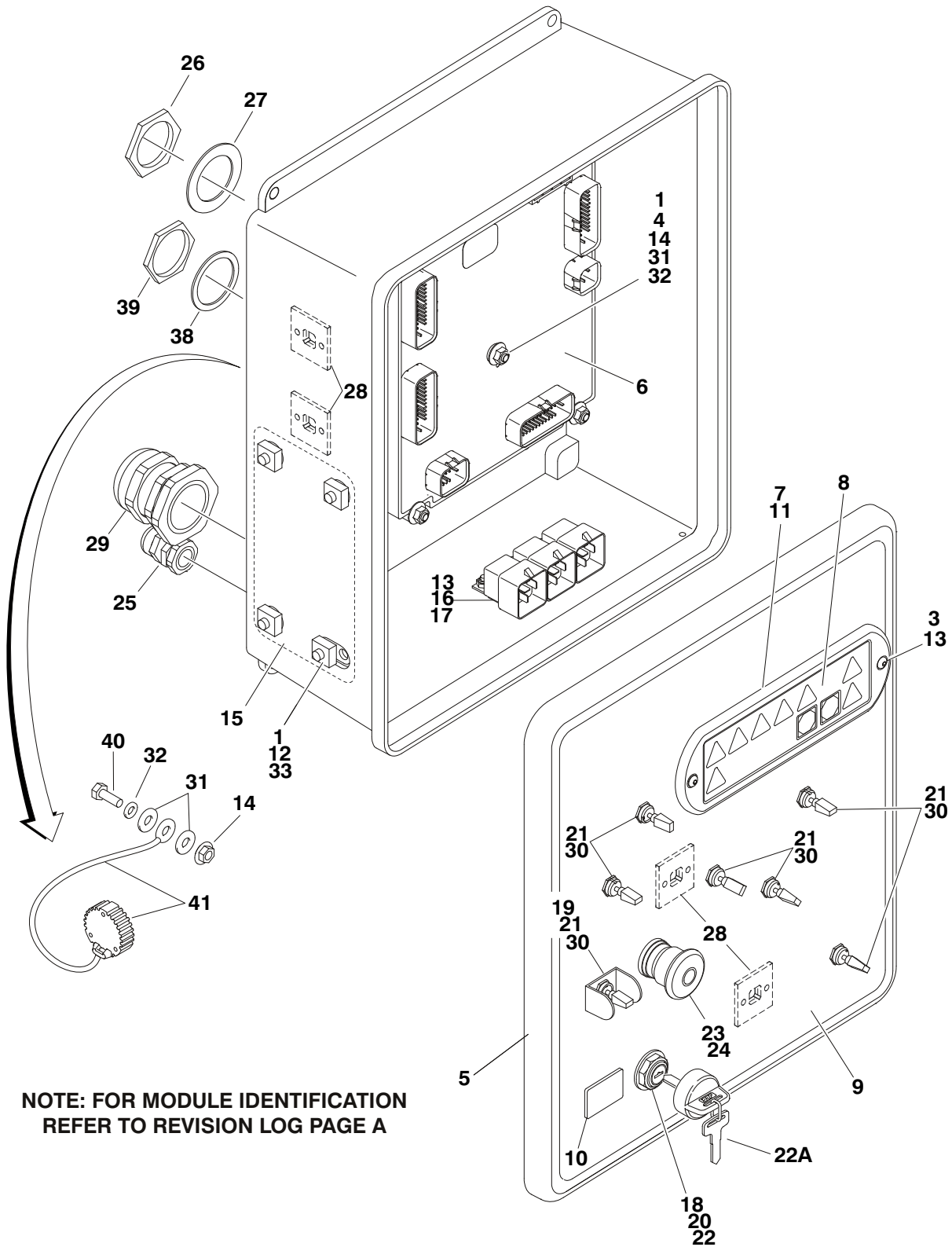
SECTION 2 TURNTABLE

FIGURE 2-19. GROUND CONTROL BOX ASSEMBLY (WITHOUT UGM) (CONTINUED)

ITEM #	PART NUMBER	QTY.	DESCRIPTION	REV.
36	4740444	AR	Flatwasher, Special	
		6	600S	
		7	600SJ & 660SJ	
37	4751400	20	Flatwasher 1/4in Regular	
38	4761400	15	Lockwasher 1/4in	
39	4923206	1	Valve Harness Assembly (Not Shown - See ELECTRICAL SECTION for Breakdown)	
40		1	Ground Control Box Harness Assembly (Not Shown - See ELECTRICAL SECTION for Breakdown)	
	4923229		Caterpillar & Ford Engine (SN 0300087000 to SN 0300099060)	
	4923213		Deutz & GM Engine (SN 0300087000 to SN 0300099060)	
	4923577		Caterpillar, Deutz & GM Engine (SN 0300099060 to SN 0300137195)	
	1001108126		Caterpillar, Deutz & GM Engine (SN 0300137195 to SN 0300171769)	
41		1	Engine Harness Assembly (Not Shown - See ELECTRICAL SECTION for Breakdown)	
	4923227		Caterpillar Engine (SN 0300087000 to SN 0300099060)	
	4923576		Caterpillar Engine (SN 0300099060 to SN 0300171769)	
	4923212		Deutz Engine	
	4923226		Ford Engine	
	4923492		GM Engine	

SECTION 2 TURNTABLE

FIGURE 2-20. GROUND CONTROL BOX ASSEMBLY (WITH UGM)



SECTION 2 TURNTABLE

FIGURE 2-20. GROUND CONTROL BOX ASSEMBLY (WITH UGM)

ITEM #	PART NUMBER	QTY.	DESCRIPTION	REV.
		Ref	Note: For Module Identification (Non-UGM/UGM), refer to Revision Log page A.	
		Ref	GROUND CONTROL BOX ASSEMBLIES	
		Ref	600S:	
	1001110354	Ref	Caterpillar Engine (ANSI & ANSI Export Specs)	C
	1001110356	Ref	Caterpillar Engine (Australian Specs USA Built Machines SN 0300087000 to SN 0300149410 & China Built Machines SN B300000100 to SN B300000310)	C
	1001110354	Ref	Caterpillar Engine (Australian Specs USA Built Machines SN 0300149410 to SN 0300171769 & China Built Machines SN B300000310 to Present)	C
	1001110356	Ref	Caterpillar Engine (CE Specs)	C
	1001110349	Ref	Deutz Engine (ANSI & ANSI Export Specs)	C
	1001110352	Ref	Deutz Engine (Australian Specs USA Built Machines SN 0300087000 to SN 0300149410 & China Built Machines SN B300000100 to SN B300000310)	C
	1001110349	Ref	Deutz Engine (Australian Specs USA Built Machines SN 0300149410 to SN 0300171769 & China Built Machines SN B300000310 to Present)	C
	1001110352	Ref	Deutz Engine (CE Specs)	C
	1001110348	Ref	GM Engine (ANSI & ANSI Export Specs)	C
		Ref	660SJ:	
	1001110355	Ref	Caterpillar Engine (ANSI & ANSI Export Specs)	C
	1001110357	Ref	Caterpillar Engine (Australian Specs USA Built Machines SN 0300087000 to SN 0300149410 & China Built Machines SN B300000100 to SN B300000310)	C
	1001110355	Ref	Caterpillar Engine (Australian Specs USA Built Machines SN 0300149410 to SN 0300171769 & China Built Machines SN B300000310 to Present)	C
	1001110357	Ref	Caterpillar Engine (CE Specs)	C
	1001110351	Ref	Deutz Engine (ANSI & ANSI Export Specs)	C
	1001110353	Ref	Deutz Engine (Australian Specs USA Built Machines SN 0300087000 to SN 0300149410 & China Built Machines SN B300000100 to SN B300000310)	c
	1001110351	Ref	Deutz Engine (Australian Specs USA Built Machines SN 0300149410 to SN 0300171769 & China Built Machines SN B300000310 to Present)	C
	1001110353	Ref	Deutz Engine (CE Specs)	C
	1001110350	Ref	GM Engine (ANSI & ANSI Export Specs)	C
1	0100011	AR	Compound, Locking	
2	0100048	AR	Grease, Dielectric	
3	0630518	2	Capscrew, Button Head	
4	0630548	5	Bolt	
5	1001111017	1	Box, Fiberglass	
5A	7020246	2	Latch	
6	1001103667	1	Module, Ground Control Options (Re-calibration Required when Replaced):	
7	1670829	1	Bezel	
8	1706712	1	Decal - Ground Control Display	

SECTION 2 TURNTABLE

FIGURE 2-20. GROUND CONTROL BOX ASSEMBLY (WITH UGM) (CONTINUED)

ITEM #	PART NUMBER	QTY.	DESCRIPTION	REV.
9	1001102601 1001102602	1	Decal - Faceplate Options: 600S 660SJ	
10	2420172	1	Gauge, Hourmeter	
11	2760105	1	Housing, Display Light	
12	3300205	4	Nut, Retainer	
13	3300408	4	Locknut, Plastic Insert	
14	77143013	11	Nut 1/4in-20NC, Whiz Lock	
15	3539219	1	Plate, Reinforcement	
16	3740049	AR	Relay Options: 3 Caterpillar Engines 2 Deutz, Ford & GM Engines	
17	3900268	AR	Screw, Flange #10 x 1/2in	
18	3910804	6	Screw #8-32NC x 1/4in	
19	4060906	1	Shield, Toggle Switch	
20	4070987 1001151393	1	Shim Options: Shim (.125in) Shim (.063in)	
21	4360328	AR	Switch, Toggle 6 600S 7 660SJ	
22	4360469 4360470 4360469 4360470	1	Switch, Key Options: ANSI & ANSI Export Specs Australian Specs USA Built Machines SN 0300087000 to SN 0300149410 & China Built Machines SN B300000100 to SN B300000310 Australian Specs USA Built Machines SN 0300149410 to SN 0300171769 & China Built Machines SN B300000310 to Present) CE Specs	
22A	2860030	1	Key Replacement	
23	4360475	1	Switch, Emergency Stop	
24	4360476	1	Switch, Contact Block	
25	4460426	1	Terminal, Strain Relief	
26	4460470	1	Nut, Terminal	
27	4460471	1	Lockwasher, Terminal	
28	4460488	6	Mounting Base, Terminal	
29	4460526	1	Connector, Strain Relief	
30	4740444	AR	Washer, Special	
31	4751400	12	Flatwasher 1/4in Regular	
32	4761400	6	Lockwasher 1/4in	
33	0641506	4	Bolt 5/16in-18NC x 3/4in	
34	4923206	1	Harness, Valve (See ELECTRICAL SECTION for Breakdown) (Not Shown)	
35	1001110362 1001110361 1001110359	1	Harness, Engine (See ELECTRICAL SECTION for Breakdown) (Not Shown) Caterpillar Engine Deutz Engine GM Engine	

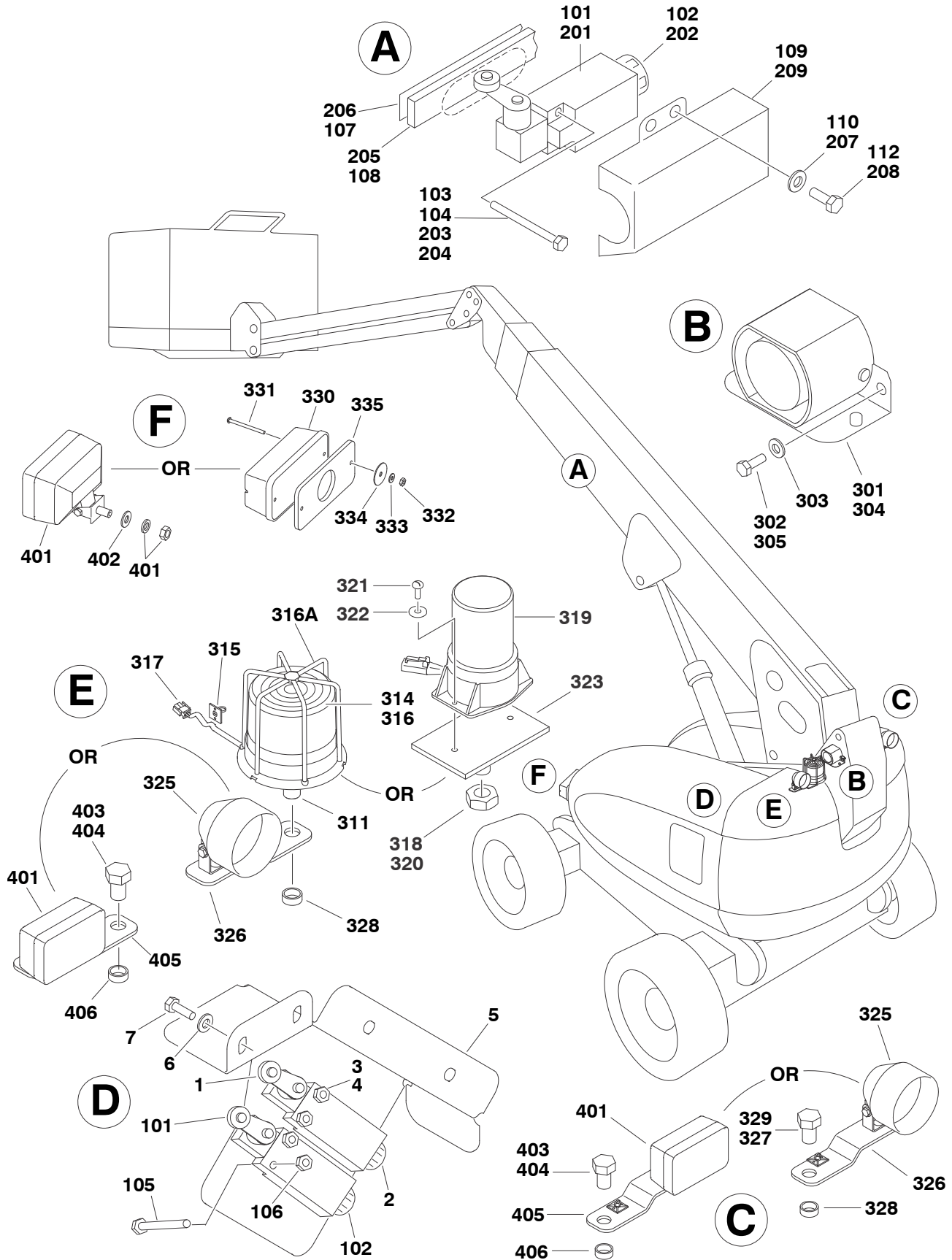
SECTION 2 TURNTABLE

FIGURE 2-20. GROUND CONTROL BOX ASSEMBLY (WITH UGM) (CONTINUED)

ITEM #	PART NUMBER	QTY.	DESCRIPTION	REV.
36	1001108602	1	Harness, Ground Control Box (See ELECTRICAL SECTION for Breakdown) (Not Shown)	
37	Not Used			
38	4460496	1	Lockwasher, Terminal	
39	4460497	1	Nut, Terminal	
40	0641407	1	Bolt 1/4in-20NC x 7/8in	
41	1001106736	1	Cap, Dust	

SECTION 2 TURNTABLE

FIGURE 2-21. ELECTRICAL OPTIONS INSTALLATION (TURNTABLE MOUNTED)



SECTION 2 TURNTABLE

FIGURE 2-21. ELECTRICAL OPTIONS INSTALLATION (TURNTABLE MOUNTED)

ITEM #	PART NUMBER	QTY.	DESCRIPTION	REV.
	0255335	Ref	LIMIT SWITCH INSTALLATION - ABOVE HORIZONTAL (ALL SPECS EXCEPT CE SPEC)	G
1	4360578	1	Switch, Limit	
2	4460968	1	Connector, Strain Relief	
3		2	Capscrew Options:	
	3931028		Capscrew, Socket Head #8-32NC x 1-3/4in	
	3930828		Capscrew, Socket Head #10-24NC x 1-3/4in	
4		2	Locknut Options:	
	3310805		Locknut #8-32NC	
	3311005		Locknut #10-24NC	
5	1670818	1	Cover, Limit Switch	
6	4751400	4	Flatwasher 1/4in Regular	
7	3931408	4	Capscrew 1/4in-20NC x 1in	
	0255698	Ref	LIMIT SWITCHES INSTALLATION - DUAL CAPACITY (600S ALL SPECS EXCEPT CE & LATIN AMERICAN SPECS)	7/D
101	4360578	1	Switch, Limit	
102	4460968	2	Connector, Strain Relief	
103	0100035	AR	Compound, Locking	
104	3930816	2	Capscrew, Socket Head #8-32NC x 1in	
105	3930828	2	Capscrew, Socket Head #8-32NC x 1-3/4in	
106	3310805	2	Locknut #8-32NC	
107	4420054	9ft/2.7m	Tape, Double Sided	
108		1	Bar, Fiberglass Options:	
	Use 1001106479		USA Built Machines SN 0300087000 to SN 0300138729 (was p/n 0362528)	
	1001106479		USA Built Machines SN 0300138729 to SN 0300171769	
	1001106479		China Built Machines SN B300000100 to Present	
109	1670824	1	Cover, Limit Switch	
110	4751400	4	Flatwasher 1/4in Regular	
111	Not Used			
112	0641403	4	Bolt 1/4in-20NC x 3/8in	
		Ref	TRANSPORT SWITCH INSTALLATION (CE SPEC)	
	0256305	Ref	600S & 660SJ	6
	0256306	Ref	600SJ	6
		Ref	Note: Only Available on USA Built Machines.	
201	4360578	1	Switch, Limit	
202	4460968	1	Connector, Strain Relief	
203	3930828	2	Capscrew, Socket Head #8-32NC x 1-3/4in	
204	3310805	2	Locknut #8-32NC	
205		1	Bar, Fiberglass Options:	
	Use 1001106481		600S & 660SJ (SN 0300087000 to SN 0300138729) (was p/n 0362609)	
	1001106481		600S & 660SJ (SN 0300138729 to SN 0300171769)	
	Use 1001106482		600SJ (SN 0300087000 to SN 0300138729) (was p/n 0362610)	
	1001106482		600SJ (SN 0300138729 to SN 0300171769)	

SECTION 2 TURNTABLE

FIGURE 2-21. ELECTRICAL OPTIONS INSTALLATION (TURNTABLE MOUNTED)

ITEM #	PART NUMBER	QTY.	DESCRIPTION	REV.
206	4420060	AR	Tape, Double-Sided	
207	4751400	4	Flatwasher 1/4in Regular	
208	0641403	4	Bolt 1/4in-20NC x 3/8in	
209	3380535	1	Cover, Limit Switch	
	0270833	Ref	ALARM INSTALLATIONS	C
301	0257887	1	Alarm/Harness Assembly	
	0140032	1	Alarm	
	2820035	6in/15cm	Loom	
	4460424	1	Plug	
	4460268	2	Socket	
302	0641406	2	Bolt 1/4in-20NC x 3/4in	
303	4711400	2	Flatwasher 1/4in Thin	
304	0100048	AR	Sealant, Silicone	
305	0100011	AR	Compound, Locking	
306 to 310	Not Used			
	0270805	Ref	STROBE LIGHT INSTALLATION (AMBER) (OPTIONAL) (USA BUILT MACHINES SN 0300087000 TO SN 0300169423 & CHINA BUILT MACHINES SN B300000100 TO PRESENT)	C
		Ref	Note: If machines is equipped with BLUE Strobe Light, see SPECIAL OPTIONS SECTION SkyGuard Kit.	
311		1	Adapter Options:	
	0630491		Adapter used with ECCO Model 6640	
	0080241		Adapter used with ECCO Model 6650	
312 to 313	Not Used			
314	0100011	AR	Compound, Locking	
	0100048	AR	Sealant, Silicone	
315	4240032	1	Wire-Tile	
316	0272507	1	Strobe Light/Guard/Harness Assy (Includes Item 311 & 316A)	
		1	Bulb, Replacement Options:	
	7016380		Bulb for ECCO Model 6640	
	70001941		Bulb for ECCO Model 6650	
316A		1	Guard Options:	
	4060907		Guard used with ECCO Model 6640	
	2920215		Guard used with ECCO Model 6650	
317	4460234	1	Clamp	
	1001149955	Ref	STROBE LIGHT INSTALLATION (AMBER) (OPTIONAL) (USA BUILT MACHINES SN 0300169423 TO SN 0300171769)	B
	1001150406	Ref	STROBE LIGHT INSTALLATION (AMBER)	A
		Ref	Note: If machines is equipped with BLUE Strobe Light, see SPECIAL OPTIONS SECTION SkyGuard Kit.	
318	0100035	AR	Compound, Locking	
319	2920161	1	Strobe Light/Harness Assembly	
	7016319	1	Bulb	
	7016372	1	Lens	

SECTION 2 TURNTABLE

FIGURE 2-21. ELECTRICAL OPTIONS INSTALLATION (TURNTABLE MOUNTED)

ITEM #	PART NUMBER	QTY.	DESCRIPTION	REV.
320	3312602	1	Nut, Jam 1in-8NC	
321	3900085	2	Screw #10-32 x 1/2in	
322	4751000	2	Flatwasher 1/4in Thin	
323	1001149994	1	Mount Strobe	
324	1001149818	1	Harness, Strobe Light (Not Shown - See ELECTRICAL SECTION for Breakdown)	
	0271552	Ref	LIGHTS INSTALLATIONS (OPTIONAL)	C
325	2920110	2	Headlight	
326	0902206	2	Bracket, Mounting	
327	0642612	1	Bolt 1in-8NC x 1-1/2in	
328	4220162	2	Spacer	
329	0100011	AR	Compound, Locking	
330	2920113	2	Taillight	
331	3911040	4	Screw, Machine #10-24NC x 2-1/2in	
332	3311005	4	Nut #10-24NC	
333	4751000	4	Flatwasher #10 Regular	
334	4740362	4	Washer, Fender	
335	3960461	2	Gasket	
336	Not Used			
337	4240032	AR	Tie-Strap (Not Shown)	
338	4460234	AR	Mount, Tie-Strap (Not Shown)	
339		1	Switch Options (Not Shown - Located on Console):	
	4360336		Toggle Switch	
	4360522		Push Button Switch	
340	3790012	1	O-Ring (Not Shown - Located on Console) (Use with #339 Toggle Switch)	
341	3820001	11	Rivet, Pop (Not Shown) (USA Built Machines SN 0300087000 to SN 0300136519 Only)	
342	1705170	1	Decal - Lights (Not Shown - Located on Console) (USA Built Machines SN 0300136519 to SN 0300171769 & China Built Machines SN B300000100 to Present)	
	0274210	Ref	CHASSIS ILLUMINATION LIGHT INSTALLATION	B
401	2920157	4	Lamp, Worklight	
402	4740546	4	Washer, Rubber	
403	0100011	AR	Compound, Locking	
404	0642612	2	Bolt 1in-8NC x 1-1/2in	
405	0902206	2	Bracket, Light Mounting	
406	4220162	2	Spacer	
407	Not Used			
408	3790012	1	O-Ring (Not Shown - Located at Platform Console Box) (SN 0300087000 to SN 0300136519 Only)	
409		1	Switch Options (Not Shown - Located on Console):	
	4360336		Toggle Switch	
	4360522		Push Button Switch	
410	4240032	AR	Strap, Tie (Not Shown)	
411	4460234	AR	Mount, Cable (Not Shown)	

SECTION 2 TURNTABLE

FIGURE 2-21. ELECTRICAL OPTIONS INSTALLATION (TURNTABLE MOUNTED)

ITEM #	PART NUMBER	QTY.	DESCRIPTION	REV.
412	3820001	11	Rivet, Pop (Not Shown) (USA Built Machines SN 0300087000 to SN 0300136519 Only)	
413	1705170	1	Decal - Lights (Not Shown - Located on Console) (USA Built Machines SN 0300136519 to SN 0300171769 & China Built Machines SN B300000100 to Present)	

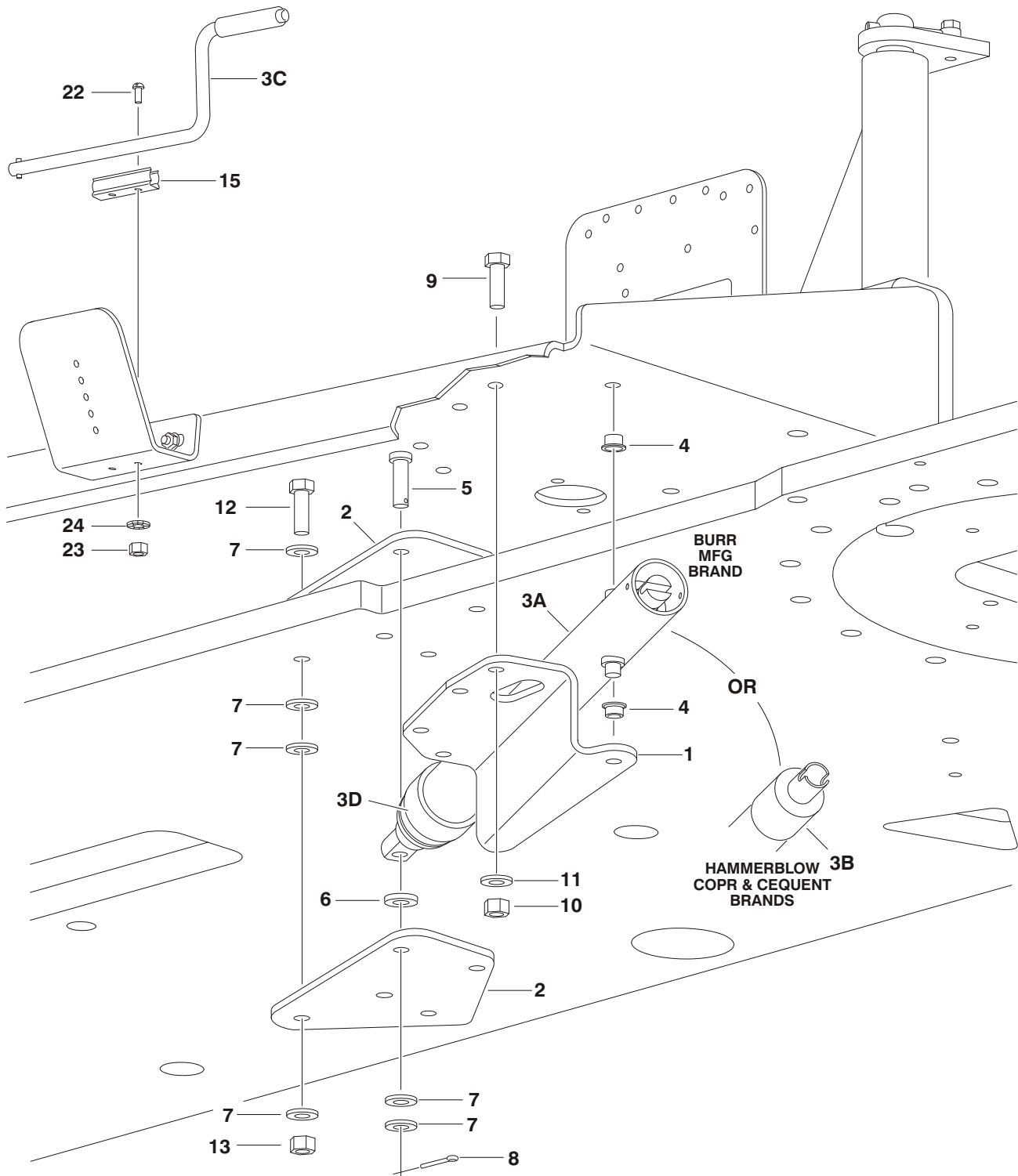
SECTION 2 TURNTABLE

FIGURE 2-21. ELECTRICAL OPTIONS INSTALLATION (TURNTABLE MOUNTED)

ITEM #	PART NUMBER	QTY.	DESCRIPTION	REV.

SECTION 2 TURNTABLE

FIGURE 2-22. ENGINE TRAY JACK INSTALLATION (OPTIONAL)



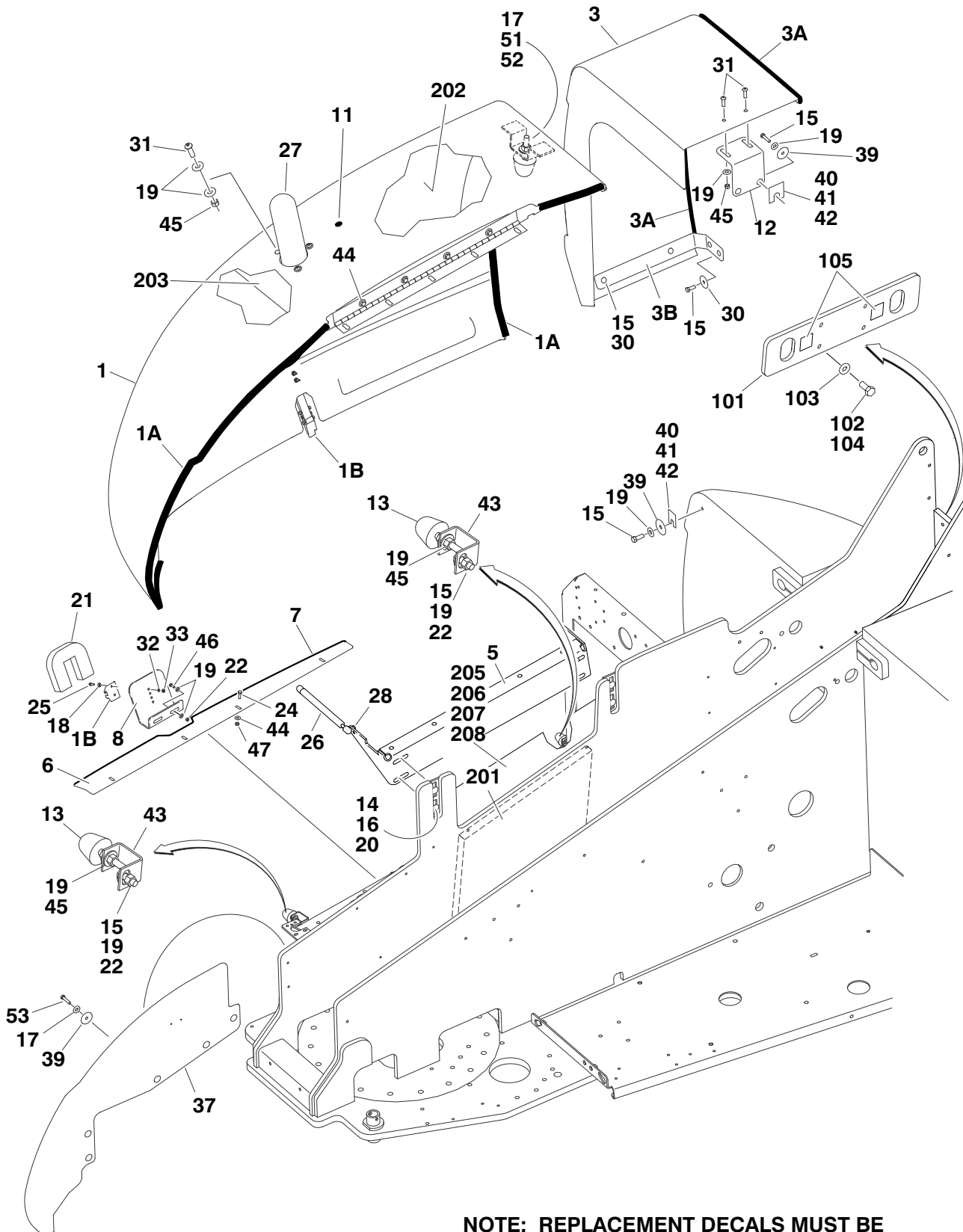
SECTION 2 TURNTABLE

FIGURE 2-22. ENGINE TRAY JACK INSTALLATION (OPTIONAL)

ITEM #	PART NUMBER	QTY.	DESCRIPTION	REV.
	0255881	Ref	ENGINE TRAY JACK INSTALLATION	3/G
1	3537445	1	Bracket	
2	3537446	2	Bracket	
3	2840016	1	Hydraulic Jack Assembly Options:	F
3A			Burr Manufacturing Brand	
3B			Hammerblow Corp & Cequent Brands	
3C		1	Handle Options:	
	7016374		Burr Manufacturing Brand	
	7024598		Hammerblow Corp & Cequent Brands	
3D	7016322	1	Wiper (Burr Manufacturing Brand Only)	
4	0962051	2	Bushing, Flanged	
5	3430816	1	Pin, Clevis	
6	4891800	1	Flatwasher 1/2in Hardened	
7	4711800	6	Flatwasher 1/2in Thin	
8	3450404	1	Pin, Cotter 1/8in x 1in	
9	0641609	4	Bolt 3/8in-16NC x 1-1/8in	
10	3311605	4	Locknut 3/8in-16NC	
11	4891600	4	Flatwasher 3/8in Hardened	
12	0641818	4	Bolt 1/2in-13NC x 2-1/4in	
13	3311805	4	Locknut 1/2in-13NC	
14	Not Used			
15	1380147	1	Clip, Spring	
16 to 21	Not Used			
22	3910608	2	Screw #6-32NC x 1in	
23	3310601	2	Nut #6-32NC	
24	4770600	2	Starwasher #6	

SECTION 2 TURNTABLE

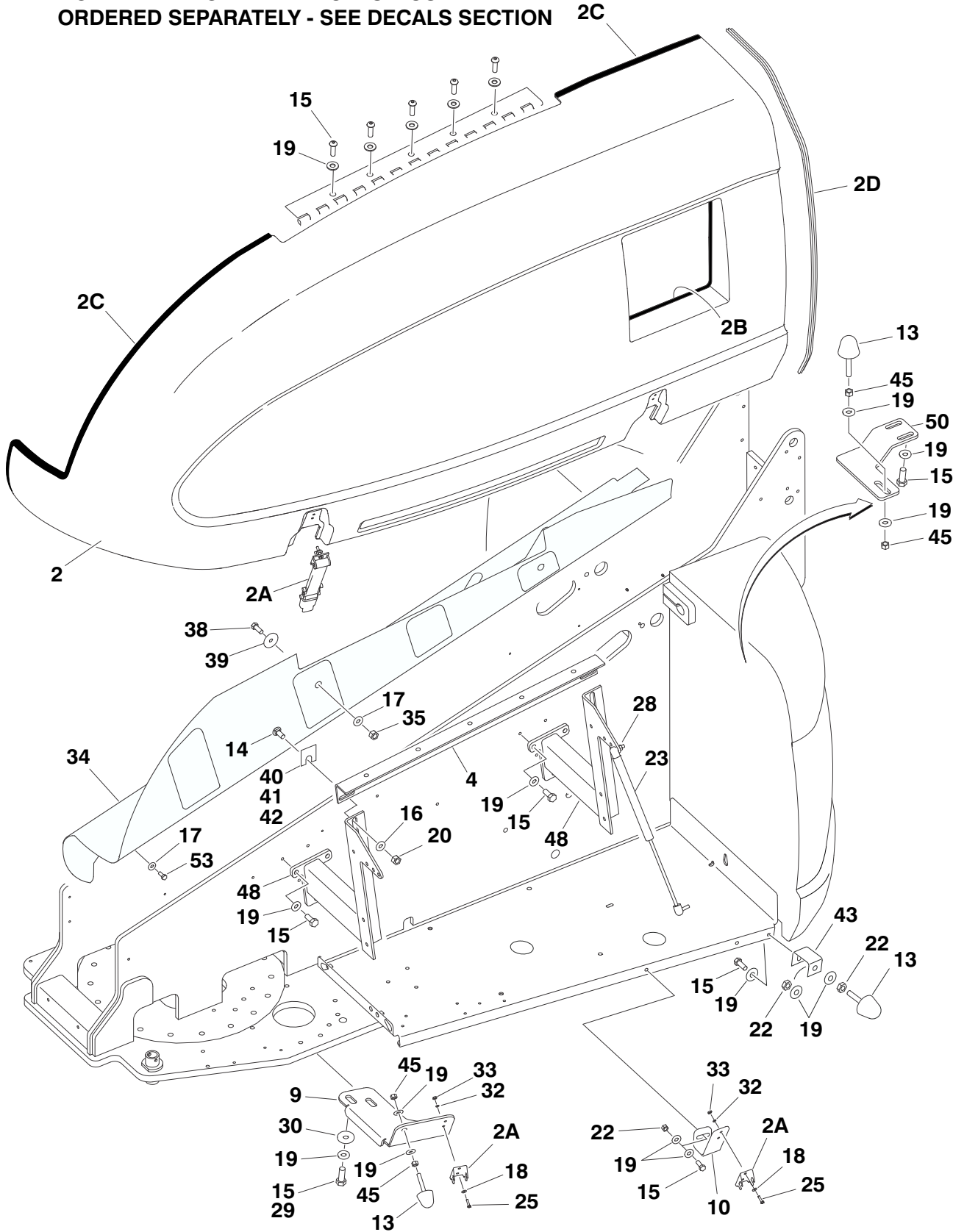
FIGURE 2-23. HOODS (ABS) & LIFTING PLATE INSTALLATIONS (USA BUILT MACHINES
SN 0300087000 TO SN 0300089988)



NOTE: REPLACEMENT DECALS MUST BE ORDERED SEPARATELY - SEE DECALS SECTION

SECTION 2 TURNTABLE

NOTE: REPLACEMENT DECALS MUST BE ORDERED SEPARATELY - SEE DECALS SECTION



SECTION 2 TURNTABLE

FIGURE 2-23. HOODS (ABS) & LIFTING PLATE INSTALLATIONS (USA BUILT MACHINES SN 0300087000 TO SN 0300089988)

ITEM #	PART NUMBER	QTY.	DESCRIPTION	REV.
		Ref	NOTE: Steel Hood Replacement Kits are available for machines built with Deutz engines (Purchase p/n 1001126286) and Caterpillar/GM engines (Purchase p/n 1001126287). No kits are available for machines built with Ford Engines.	
	0256830	Ref	HOODS INSTALLATIONS	11/J
1	2680449	1	Hood Assembly - Engine Side	
		Ref	Note: Replacement Decals must be Purchased Separately - See DECALS SECTION.	
	2600209		Hinge	
1A	3960464	65in/1.67m	Seal	
	3960462	61in/1.55m	Seal	
1B	2940088	1	Latch	
2	2680448	1	Hood Assembly - Tank Side	
		Ref	Note: Replacement Decals must be Purchased Separately - See DECALS SECTION.	
	2600233		Hinge	
2A	2940088	2	Latch	
2B	3960438	53in/1.35m	Seal	
2C	3960464	83in/2.11m	Seal	
2D	3960462	55in/1.4m	Seal	
3	2680450	1	Hood Assembly- Engine Spacer	
		Ref	Note: Replacement Decals must be Purchased Separately - See DECALS SECTION.	
3A	3960453	68in/1.73m	Seal	
3B	7023366	1	Bracket	
4	0902416	1	Bracket, Hood Mounting	
5	0902351	1	Bracket, Hood Mounting	
6	3539934	1	Plate, Seal	
7	3960389	3.5ft/1m	Seal	
8	0902491	1	Bracket, Latch	
9	0902223	1	Bracket, Latch	
10	0902143	1	Bracket, Latch	
11	3520033	2	Plug, Hole	
12	0902161	1	Bracket, Hood Spacer Mounting	
13	0940071	5	Bumper	
14	0630507	6	Bolt, Carriage 1/2in-13NC x 1-1/4in	
15	0641608	AR	Bolt 3/8in-16NC x 1in	
16	4740171	6	Flatwasher, Hardened	
17	4751500	9	Flatwasher 5/16in Regular	
18	4751000	12	Flatwasher #10 Regular	
19	4751600	AR	Flatwasher 3/8in Regular	
20	3311805	6	Locknut 1/2in-13NC	
21	3960470	1	Seal	
22	3311605	5	Locknut 3/8in-16NC	
23	4160139	2	Spring, Gas (Tank Side)	
24	0641406	4	Bolt 1/4in-20NC x 3/4in	

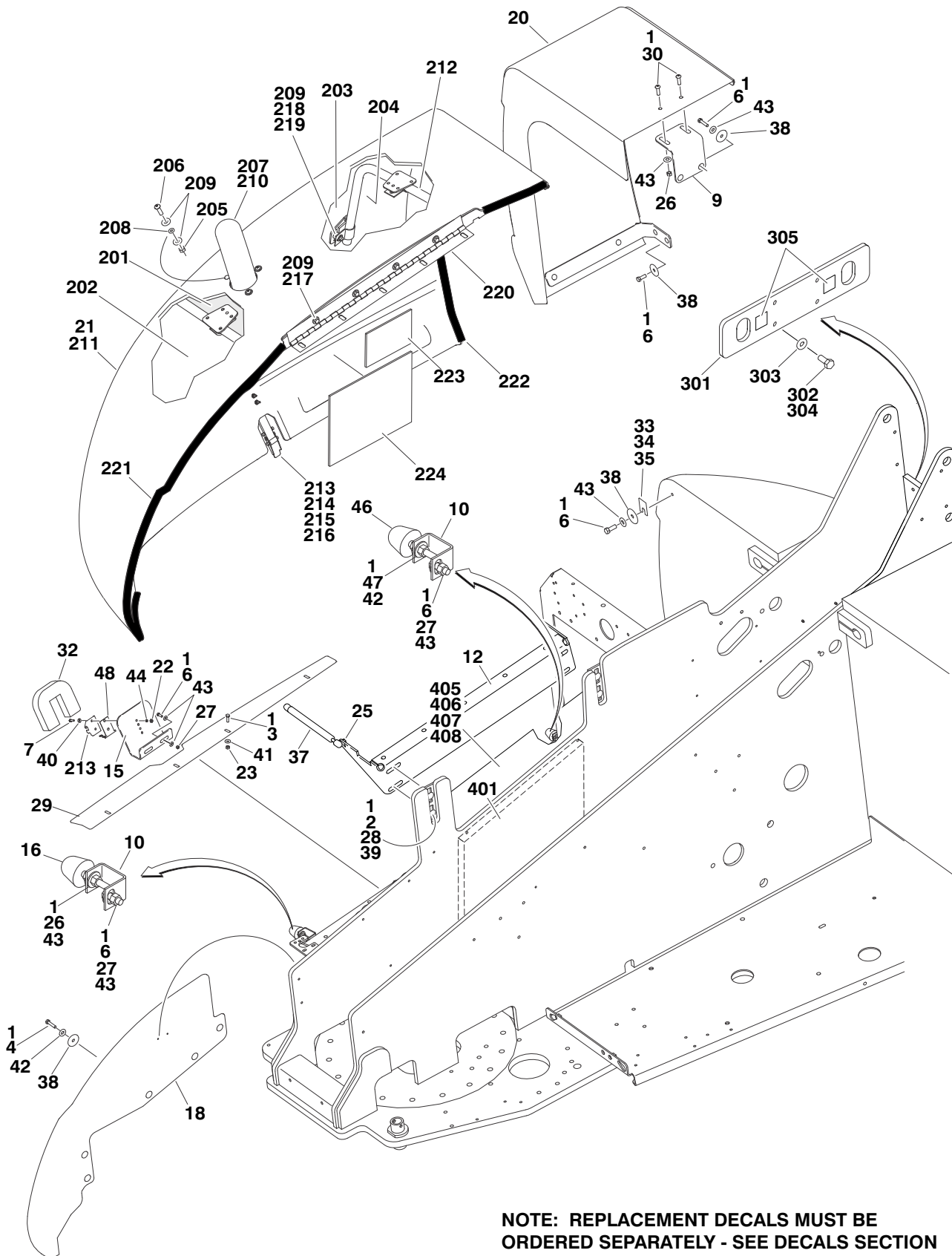
SECTION 2 TURNTABLE

FIGURE 2-23. HOODS (ABS) & LIFTING PLATE INSTALLATIONS (USA BUILT MACHINES SN 0300087000 TO SN 0300089988) (CONTINUED)

ITEM #	PART NUMBER	QTY.	DESCRIPTION	REV.
25	0721006	6	Screw #10-24NC x 3/4in	
26	4160143	2	Spring, Gas (Engine Side)	
27	4845411	1	Outlet, Exhaust	
28	3311505	4	Locknut 5/16in-18NC	
29	0100011	AR	Compound, Locking	
30	4740076	4	Washer, Fender	
31	3900232	5	Screw, Button Head 3/8in-16NC x 1-1/4in	
32	4761000	6	Lockwasher #10	
33	3311001	6	Nut #10-24NC	
34	1670771	1	Cover	
35	3311501	AR	Nut 5/16in-18NC	
36	0641512	2	Bolt 5/16in-18NC x 1-1/2in	
37	1670779	1	Cover, Side	
38	0641506	AR	Bolt 5/16in-18NC x 3/4in	
39	4740076	AR	Washer, Fender	
40	4070410	AR	Shim 1/16in	
41	4070411	AR	Shim 1/8in	
42	4070412	AR	Shim 3/16in	
43	0902219	2	Bracket, Bumper	
44	4751400	4	Flatwasher 1/4in Regular	
45	3311601	AR	Nut 3/8in-16NC	
46	0641609	2	Bolt 3/8in-16NC x 1-1/8in	
47	3311405	4	Locknut 1/4in-20NC	
48	4845356	2	Hood Mount Weldment	
49	Not Used			
50	0902384	1	Bracket, Hood Mount	
51	0940088	1	Hood, Bumper	
52	3321501	2	Nut 5/16in-24NF	
53	0641506	10	Bolt 5/16in-18NC x 3/4in	
	0256122	Ref	LIFTING PLATE INSTALLATION	1/B
101	3539590	1	Plate, Lifting	
102	0682014	4	Bolt 5/8in-11NC x 1-3/4in (Grade 8)	
103	4892000	4	Flatwasher 5/8in Hardened	
104	0100019	AR	Compound, Locking	
105	1701500	2	Decal - Tie Down/Lift	
	0256823	Ref	NOISE REDUCTION INSTALLATION (DIESEL MACHINES)	2
201	2820078	1	Foam, Acoustical	
202	2820079	1	Foam, Acoustical	
203	2820119	1	Foam, Acoustical	
204	Not Used			
205	3539955	1	Plate, Baffle	
206	0641506	2	Bolt 5/16in-18NC x 3/4in	
207	4751500	2	Flatwasher 5/16in Regular	
208	0100011	AR	Compound, Locking	

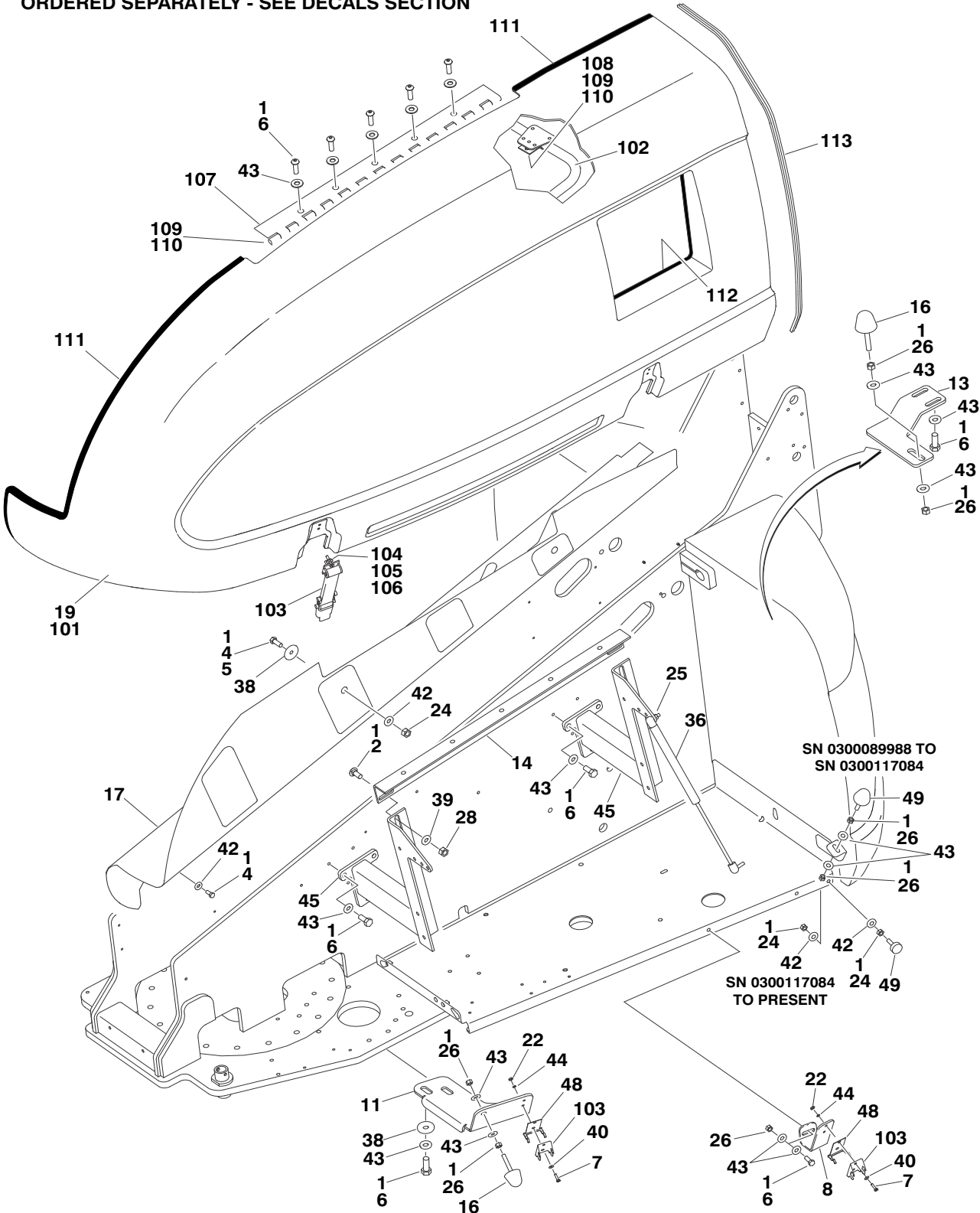
SECTION 2 TURNTABLE

FIGURE 2-24. HOODS (ABS) & LIFTING PLATE INSTALLATIONS (USA BUILT MACHINES
SN 0300089988 TO SN 0300171769)



SECTION 2 TURNTABLE

NOTE: REPLACEMENT DECALS MUST BE ORDERED SEPARATELY - SEE DECALS SECTION



SECTION 2 TURNTABLE

FIGURE 2-24. HOODS (ABS) & LIFTING PLATE INSTALLATIONS (USA BUILT MACHINES SN 0300089988 TO SN 0300171769)

ITEM #	PART NUMBER	QTY.	DESCRIPTION	REV.
		Ref	Note: Only Available on USA Built Machines.	
		Ref	Note: Steel Hood Replacement Kits are available for machines built with Deutz engines (Purchase p/n 1001126286) and Caterpillar/GM engines (Purchase p/n 1001126287). No kits are available for machines built with Ford Engines.	
		Ref	HOODS INSTALLATIONS	
	0274751	Ref	Caterpillar & Deutz Engines	H
	0274755	Ref	Ford Engines	C
	0275285	Ref	GM Engines	G
1	0100011	AR	Compound, Locking	
2	0630507	6	Bolt, Carriage 1/2in-13NC x 1-1/4in	
3	0641406	4	Bolt 1/4in-20NC x 3/4in	
4	0641506	AR	Bolt 5/16in-18NC x 3/4in	
5	0641512	2	Bolt 5/16in-18NC x 1-1/2in (SN 0300089988 to SN 0300051120)	
6	0641608	AR	Bolt 3/8in-16NC x 1in	
7	0721006	6	Bolt #10-24NC x 3/4in	
8	0902143	1	Bracket	
9	0902161	1	Bracket, Hood Spacer	
10	0902219	2	Bracket, Bumper	
11	0902223	1	Bracket, Latch	
12	0902351	1	Bracket, Hood Mount	
13		1	Bracket, Hood Mount Options:	
	0902384		Caterpillar & Deutz Engines (SN 0300089988 to SN 0300138402)	
	0902384		Ford & GM Engines	
14	0902416	1	Bracket, Hood Mount	
15	0902491	1	Bracket, Hood Latch	
16	0940071	AR	Bumper	
17	1670771	1	Cover	
18	1670779	1	Cover, Engine/Turntable	
19	1671228	1	Hood, Tank Side	
20	1671233	1	Hood, Engine Spacer	
21		1	Hood, Engine Side Options:	
	1671247		Caterpillar & Deutz Engines	
	1671227		Ford Engines	
	1671312		GM Engines	
22	3311001	6	Nut #10-24NC	
23	3311405	4	Locknut 1/4in-20NC	
24	3311501	AR	Nut 5/16in-18NC	
25	3311505	3	Locknut 5/16in-18NC	
26	3311601	AR	Nut 3/8in-16NC	
27	3311605	5	Locknut 3/8in-16NC	
28	3311805	6	Locknut 1/2in-13NC	
29	3571712	1	Plate, Seal	
30	3900232	2	Screw, Button Head 3/8in-16NC x 1-1/4in	

SECTION 2 TURNTABLE

FIGURE 2-24. HOODS (ABS) & LIFTING PLATE INSTALLATIONS (USA BUILT MACHINES SN 0300089988 TO SN 0300171769) (CONTINUED)

ITEM #	PART NUMBER	QTY.	DESCRIPTION	REV.
31	3960389	3.5ft/1.1m	Seal	
32	3960470	1	Seal	
33	4070410	AR	Shim 1/16in	
34	4070411	AR	Shim 1/8in	
35	4070412	AR	Shim 3/16in	
36	4160139	2	Spring, Gas (Tank Side)	
37	4160143	1	Spring, Gas (Engine Side)	
38	4740076	AR	Washer, Fender	
39	4740171	6	Flatwasher, Hardened	
40	4751000	6	Flatwasher #10 Regular	
41	4751400	4	Flatwasher 1/4in Regular	
42	4751500	AR	Flatwasher 5/16in Regular	
43	4751600	AR	Flatwasher 3/8in Regular	
44	4761000	6	Lockwasher #10	
45	4845356	2	Hood Mount Weldment	
46	0940088	1	Bumper	
47	3321501	2	Nut 5/16in-24NF (SN 030091753 to SN 0300171769)	
48	2940188	3	Latch, Spring Clip (SN 030099060 to SN 0300171769)	
49		1	Hardware Options:	
	0940071		Bumper (SN 0300089988 to SN 0300117084)	
	0940049		Stopper, Hood (SN 0300117084 to SN 0300171769)	
	1671228	Ref	HOOD TANK SIDE	A
101	1671231	1	Shell, Tank Side	
102	1671232	1	Frame, Tank Side	
103	2940088	2	Latch	
104	0721008	4	Bolt #10-24NC x 1in	
105	4751000	4	Flatwasher #10 Regular	
106	3311001	4	Nut #10-24NC	
107	2600233	1	Hinge	
108	1321384	4	Hold Down	
109	0641606	9	Bolt 3/8in-16NC x 3/4in	
110	4751600	9	Flatwasher 3/8in Regular	
111	3960464	7ft/2.1m	Seal	
112	3960438	5ft/1.5m	Seal	
113	3960462	4.5ft/1.4m	Seal	
		Ref	HOOD ENGINE SIDE OPTIONS:	
	1671247	Ref	Caterpillar & Deutz Engines	D
	1671227	Ref	Ford Engines	B
	1671312	Ref	GM Engines	H
201		1	Foam, Acoustical Options:	
	2820080		Caterpillar & Deutz Engines SN 0300089988 to SN 0300124421	
	1001101391		Caterpillar & Deutz Engines SN 0300124421 to SN 0300171769	
	1001101323		GM Engines SN 0300124421 to SN 0300171769	

SECTION 2 TURNTABLE

FIGURE 2-24. HOODS (ABS) & LIFTING PLATE INSTALLATIONS (USA BUILT MACHINES SN 0300089988 TO SN 0300171769) (CONTINUED)

ITEM #	PART NUMBER	QTY.	DESCRIPTION	REV.
202	2820233 1001101324	1	Insulation, Rear Options: Caterpillar & Deutz Engines GM Engines SN 0300136961 to SN 0300171769	
203	2820234	1	Insulation, Center (Caterpillar & Deutz Engines Only)	
204	2820235	1	Insulation, Rear (Caterpillar & Deutz Engines Only)	
205	3311605	3	Locknut 3/8in-16NC	
206	3900232	3	Screw, Button Head 3/8in-16NC x 1-1/4in	
207	4061010 1001101392 4061010	1	Gasket, Heat Options: Caterpillar & Deutz Engine SN 0300089988 to SN 0300124421 Caterpillar & Deutz Engine SN 0300124421 to SN 0300171769 Ford & GM Engine Machines SN 0300089988 to SN 0300124421	
208	4740500	3	Washer, Special	
209	4751600	AR	Flatwasher 3/8in Regular	
210	4845411 3460399 3460552	1	Exhaust Stack Options: Caterpillar & Deutz Engines Ford Engines GM Engines	
211	Purchase Kit	1	Shell, Engines Side (was p/n 1671229)	
212	1671230	1	Frame, Engine Side	
213	2940088	1	Latch	
214	0721008	2	Bolt #10-24NC x 1in	
215	4751000	2	Flatwasher #10 Regular	
216	3311001	2	Nut #10-24NC	
217	0641608	AR	Bolt 3/8in-16NC x 1in	
218	1321384	4	Hold Down	
219	0641606	4	Bolt 3/8in-16NC x 3/4in	
220	2600209	1	Hinge	
221	3960464	5.5ft/1.7m	Seal	
222	3960462	5.1ft/1.6m	Seal	
223	Use 1001101323	1	Insulation, Heat Options (Ford & GM Engines - SN 0300092152 to SN 0300134794) (was p/n 2820176)	
224	2820153	1	Insulation, Heat Shield (GM Engines SN 0300089988 to SN 0300134794 Only)	
		1	----- Hood Kit (Engine Side) Options:	
		Ref	Note: Replacement Decals must be Purchased Separately - See DECALS SECTION.	
	1001097961		Caterpillar & Deutz Engine Machines (Includes items 201-204, 207, 208 & 211)	B
	1001097960		GM Engine Machines (Includes items 207, 202, 208 & 211)	B

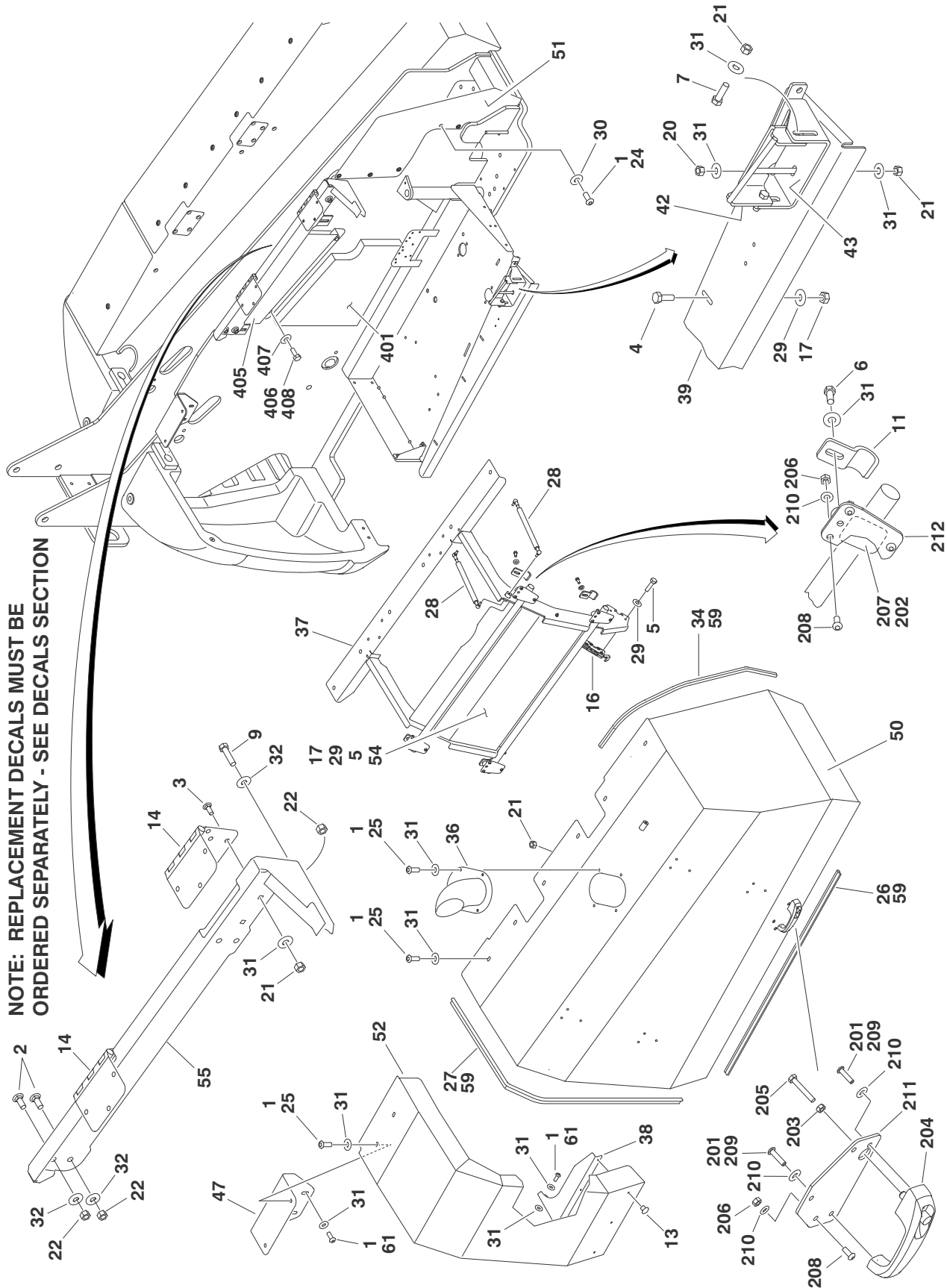
SECTION 2 TURNTABLE

FIGURE 2-24. HOODS (ABS) & LIFTING PLATE INSTALLATIONS (USA BUILT MACHINES SN 0300089988 TO SN 0300171769) (CONTINUED)

ITEM #	PART NUMBER	QTY.	DESCRIPTION	REV.
	0256122	Ref	LIFTING PLATE INSTALLATION	1/B
301	3539590	1	Plate, Lifting	
302	0682014	4	Bolt 5/8in-11NC x 1-3/4in Grade 8	
303	4892000	4	Flatwasher 5/8in Hardened	
304	0100019	AR	Compound, Locking	
305	1701500	2	Decal - Tie Down/Lift	
	0256823	Ref	NOISE REDUCTION INSTALLATION (DIESEL MACHINES)	3
401	2820078	1	Foam, Acoustical	
402 to 404	Not Used			
405	3539955	1	Plate, Baffle	
406	0641506	2	Bolt 5/16in-18NC x 3/4in	
407	4751500	2	Flatwasher 5/16in Regular	
408	0100011	AR	Compound, Locking	

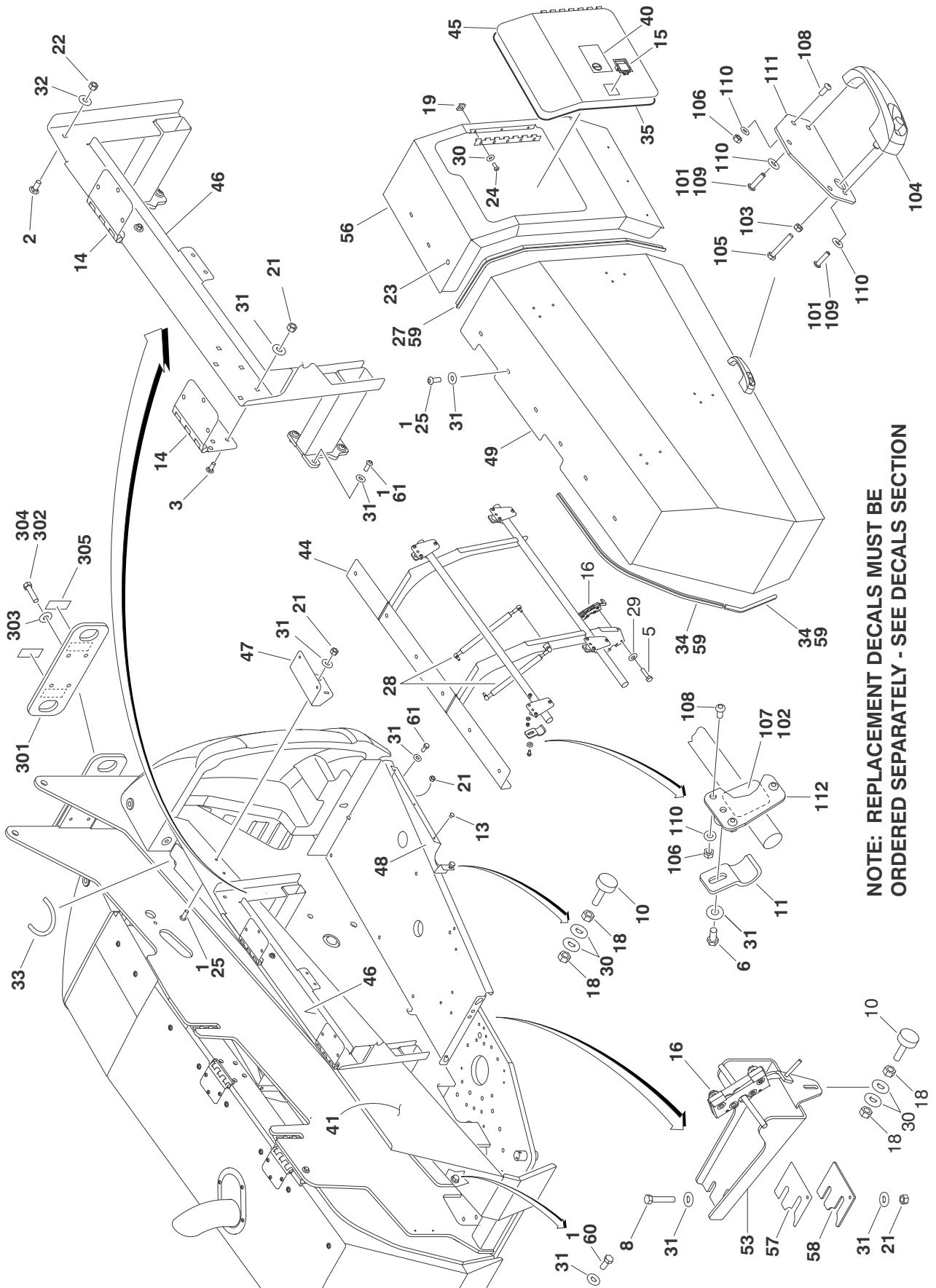
SECTION 2 TURNTABLE

FIGURE 2-25. HOODS (STEEL) & LIFTING PLATE INSTALLATIONS



NOTE: REPLACEMENT DECALS MUST BE ORDERED SEPARATELY - SEE DECALS SECTION

SECTION 2 TURNTABLE



SECTION 2 TURNTABLE

FIGURE 2-25. HOODS (STEEL) & LIFTING PLATE INSTALLATIONS

ITEM #	PART NUMBER	QTY.	DESCRIPTION	REV.
		Ref	HOODS INSTALLATIONS	
	1001118718	Ref	Caterpillar Engines	D
	1001117429	Ref	GM Engines	D
	1001117429	Ref	Deutz Engines (SN 0300087000 to SN 0300166771)	D
	1001148678	Ref	Deutz Engines (SN 0300166771 to SN 0300171769)	B
1	0100011	AR	Compound, Locking	
2	0630507	4	Bolt, Carriage 1/2in-13NC x 1-1/4in	
3	0630485	19	Bolt, Carriage	
4	0641406	4	Bolt 1/4in-20NC x 3/4in	
5	0641408	AR	Bolt 1/4in-20NC x 1in	
6	0641607	8	Bolt 3/8in-16NC x 7/8in	
7	0641610	2	Bolt 3/8in-16NC x 1-1/4in	
	0641611	2	Bolt 3/8in-16NC x 1-3/8in	
8	0641616	2	Bolt 3/8in-16NC x 2in	
9	0641818	1	Bolt 1/2in-13NC x 2-1/4in	
10	0940049	2	Stopper, Hood	
11	1321384	8	Clamp, Hood	
12	1701505	1	Decal - Diesel Fuel (SN 0300087000 to SN 0300143696)	
13	2080040	6	Fastener, Huck	
14	2600280	4	Hinge, Offset	
15	2940045	1	Latch, Paddle	
16	2940173	2	Latch, Rotary	
17	3311405	AR	Locknut 1/4in-20NC	
18	3311501	4	Nut 5/16in-18NC	
19	3300364	3	Nut, Tinnerman 5/16in-18NC	
20	3311601	1	Nut 3/8in-16NC	
21	3311605	46	Locknut 3/8in-16NC	
22	3311805	5	Locknut 1/2in-13NC	
23	3520030	1	Plug, Hole	
24	3900210	8	Screw, Button Head 5/16in-18 x 3/4in	
25	3900316	34	Screw, Button Head 3/8in-16NC x 1in	
26	3960389	50in/1.3m	Seal	
27	3960462	9.5ft/2.9m	Seal	
28	4160194	4	Spring, Gas	
29	4751400	AR	Flatwasher 1/4in Regular	
30	4751500	17	Flatwasher 5/16in Regular	
31	4751600	89	Flatwasher 3/8in Regular	
32	4740171	6	Flatwasher 1/2in Hardened	
33	90206194	10in/24cm	Trim-Lok	
34	1001110166	8ft/2.5m	Seal	
35	1001113047	77in/2m	Seal	
36	Use 1001116457	1	Pipe, Exhaust (was p/n 1001116456)	
37	1001116562	1	Support	
38	1001117234	1	Bracket, Hood	
39	1001117249	1	Plate, Seal	
40	1001117307	1	Decal - Emergency Stop	
41	1001117430	1	Trough, Powertrack	
42	1001117523	1	Bracket, Striker Plate	

SECTION 2 TURNTABLE

FIGURE 2-25. HOODS (STEEL) & LIFTING PLATE INSTALLATIONS (CONTINUED)

ITEM #	PART NUMBER	QTY.	DESCRIPTION	REV.
43	1001117525	1	Bracket, Striker Plate	
44	1001117543	1	Support	
45	1001117598	1	Door	
46	1001117612	1	Mount, Hood	
47	1001118264	2	Bracket, Hood Mounting	
48	1001118550	1	Bracket, Hood Support	
49	1001118715	1	Hood Assembly - Tank Side (See Items 101-112 for Breakdown)	
		Ref	Note: Replacement Decals must be Purchased Separately - See DECALS SECTION.	
50	1001118716	1	Hood Assembly - Engine Side (See Items 201-212 for Breakdown)	
		Ref	Note: Customer must transfer Item 54 Heat Shield to Hood Assembly before putting machine back in service.	
		Ref	Note: Replacement Decals must be Purchased Separately - See DECALS SECTION.	
51	1001118735	1	Plate, Filler	
52	1001119283	1	Hood, Fixed Engine Side	
		Ref	Note: Replacement Decals must be Purchased Separately - See DECALS SECTION.	
53	1001125097	1	Bracket, Striker	
54		1	Shield, Heat	
	Not Required		Caterpillar Engines	
	1001120508		Deutz & GM Engines	
55	1001121059	1	Bracket, Hinge Support	
56	1001121061	1	Hood, Fixed Tank Side	
		Ref	Note: Replacement Decals must be Purchased Separately - See DECALS SECTION.	
57	1001121118	AR	Shim 3mm	
58	1001121119	AR	Shim 1.5mm	
59	0100081	AR	Adhesive	
60	0641506	5	Bolt 5/16in-18NC x 3/4in	
61	0641608	14	Bolt 3/8in-16NC x 1in	
	1001118715	Ref	HOOD TANK SIDE	E
101	0100011	AR	Compound, Locking	
102	0100081	AR	Adhesive	
103	0700616	1	Bolt M6 x 40mm	
104	2560187	1	Handle, Push Button	
105	3290601	1	Nut M6	
106	3311505	15	Locknut 5/16in-18NC	
107	3340877	4	Pad	
108	3900210	15	Screw, Button Head 5/16in-18NC x 3/4in	
109	3900363	2	Screw, Button Head M6 x 25mm	
110	4711500	17	Flatwasher 5/16in Thin	
111	1001116290	1	Plate, Latch Mounting	
112	1001116292	4	Mount, Clamp	

SECTION 2 TURNTABLE

FIGURE 2-25. HOODS (STEEL) & LIFTING PLATE INSTALLATIONS (CONTINUED)

ITEM #	PART NUMBER	QTY.	DESCRIPTION	REV.
	100118716	Ref	HOOD ENGINE SIDE	D
201	0100011	AR	Compound, Locking	
202	0100081	AR	Adhesive	
203	0700616	1	Bolt M6 x 40mm	
204	2560187	1	Handle, Push Button	
205	3290601	1	Nut M6	
206	3311505	15	Locknut 5/16in-18NC	
207	3340877	4	Pad	
208	3900210	15	Screw, Button Head 5/16in-18NC x 3/4in	
209	3900363	2	Screw, Button Head M6 x 25mm	
210	4711500	17	Flatwasher 5/16in Thin	
211	100116290	1	Plate, Latch Mounting	
212	100116292	4	Mount, Clamp	
	0256122	Ref	LIFTING PLATE INSTALLATION	1/B
301	3539590	1	Plate, Lifting	
302	0682014	4	Bolt 5/8in-11NC x 1-3/4in (Grade 8)	
303	4892000	4	Flatwasher, Hardened 5/8in	
304	0100019	AR	Compound, Locking	
305	1701500	2	Decal - Tie Down/Lift	
	0256823	Ref	NOISE REDUCTION INSTALLATION (DIESEL MACHINES)	3
401	2820078	1	Foam, Acoustical	
402 to 404	Not Used			
405	3539955	1	Plate, Baffle	
406	0641506	2	Bolt 5/16in-18NC x 3/4in	
407	4751500	2	Flatwasher 5/16in Regular	
408	0100011	AR	Compound, Locking	

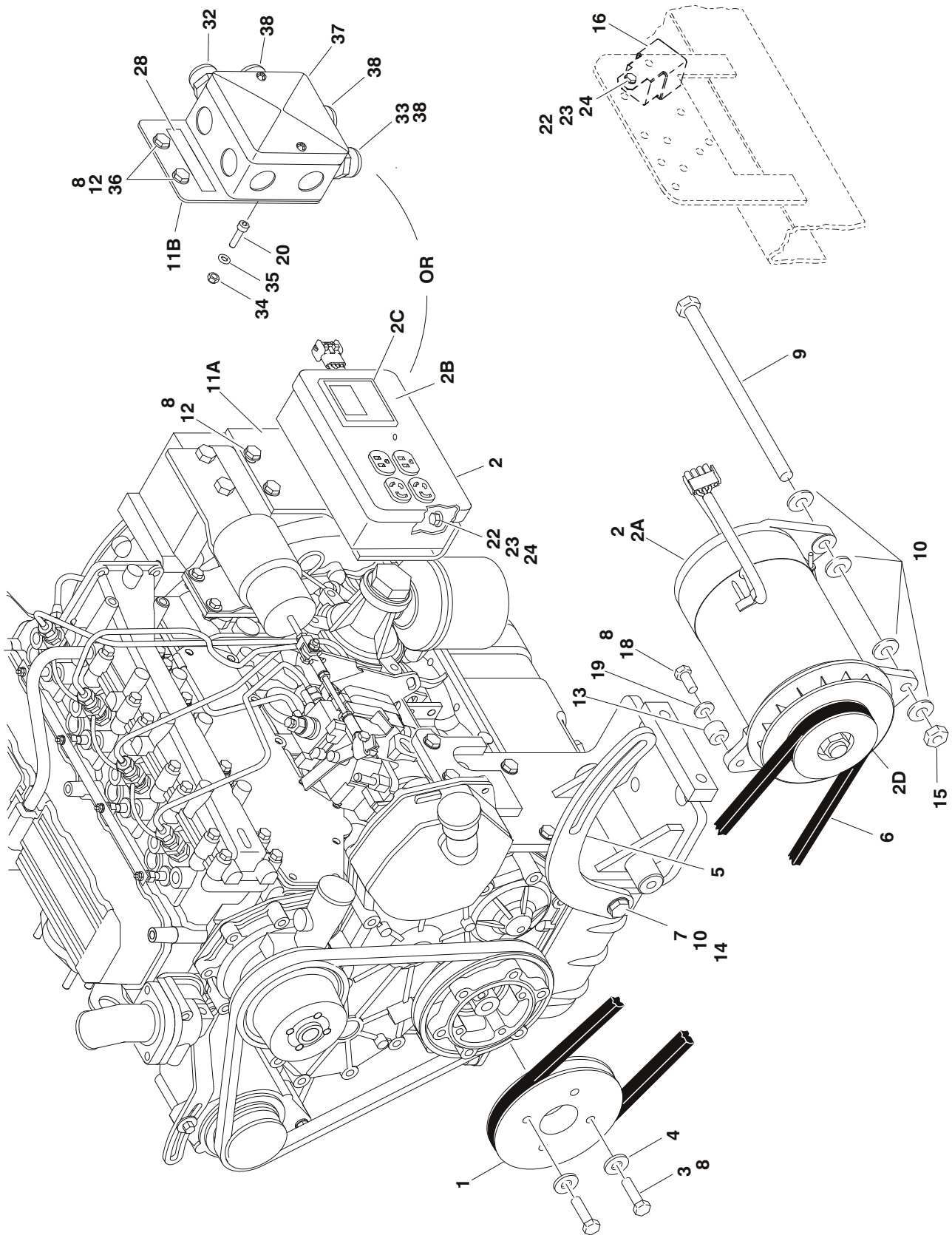
SECTION 2 TURNTABLE

FIGURE 2-25. HOODS (STEEL) & LIFTING PLATE INSTALLATIONS (CONTINUED)

ITEM #	PART NUMBER	QTY.	DESCRIPTION	REV.

SECTION 2 TURNTABLE

FIGURE 2-26. 2500W GENERATOR INSTALLATION - CATERPILLAR MACHINES (OPTIONAL)



SECTION 2 TURNTABLE

FIGURE 2-26. 2500W GENERATOR INSTALLATION - CATERPILLAR MACHINES (OPTIONAL)

ITEM #	PART NUMBER	QTY.	DESCRIPTION	REV.
		Ref	GENERATOR INSTALLATION OPTIONS:	
		Ref	USA Built Machines SN 0300087000 to SN 0300132803	
	0274081	Ref	110V/60Hz	1/A
	1001102547	Ref	110V/50Hz	B
	0274087	Ref	220V/50Hz	1/A
		Ref	USA Built Machines SN 0300132803 to SN 0300140360	
	0274081	Ref	110V/60Hz	1/A
	1001102547	Ref	110V/50Hz	B
	1001102548	Ref	220V/50Hz	B
		Ref	USA Built Machines SN 0300140360 to SN 0300171769	
	1001115404	Ref	110V/60Hz	A
	1001115413	Ref	110V/50Hz	B
	1001115414	Ref	220V/50Hz	A
		Ref	CHINA Built Machines SN B300000100 to Present	
	1001115404	Ref	110V/60Hz	A
	1001115414	Ref	220V/50Hz	A
1	3580322	1	Pulley	
2		1	Generator and Control Box Assembly Options:	
	2460055		110V/60Hz	
	2460057		110V/50Hz USA Built Machines SN 0300087000 to SN 0300132803	
	See Note		110V/50Hz USA Built Machines SN 0300132803 to SN 0300171769 (Note: Not Available for Purchase.)	
	2460056		220V/50Hz USA Built Machines SN 0300087000 to SN 0300132803	
	See Note		220V/50Hz USA Built Machines SN 0300132803 to SN 0300171769 & China Built Machines SN B300000100 to Present (Note: Not Available for Purchase.)	
2A	7012558	1	Generator Only - 110V/60Hz	
	2460049	1	Generator Only - 110V/50Hz (was p/n 7019679 & 70000129)	
	1001100321	1	Generator Only - 220V/50Hz (was p/n 7019679 & 70000128)	
		Ref	Note: Replacement Generator come standard with p/n 3580134 pulley. This pulley may not be correct for all applications. Refer to pulley options below.	
		1	Armature with Slip Rings Options:	
	7026199		Armature with Slip Rings - 110V/60Hz	
	70000122		Armature with Slip Rings - 110V/50Hz	
	70000123		Armature with Slip Rings - 220V/50Hz	
	7012513	4	Cap, Brush Holder	
	7020108	4	Brush	
	7020109	4	Holder, Brush	
	7012514	1	Fan	
	7020110	1	Bell, Front	
	7020111	1	Bell, Rear	
	7020190	2	Bearing	

SECTION 2 TURNTABLE

FIGURE 2-26. 2500W GENERATOR INSTALLATION - CATERPILLAR MACHINES (OPTIONAL)

ITEM #	PART NUMBER	QTY.	DESCRIPTION	REV.
2B	7019680	1	Box, Control - 110V/60Hz (was p/n 7003657)	
	7019680	1	Box, Control - 110V/50Hz (USA Built Machines SN 030087000 to SN 0300132803 Only) (was p/n 7003657)	
	70000127	1	Box, Control - 220V/50Hz (was p/n 7019680) (USA Built Machines SN 030087000 to SN 0300132803 Only)	
		AR	Receptacle Options:	
	4460190	1	Receptacle, Standard (110V Only)	
	4460027	1	Receptacle, Twistlock (110V Only)	
	70000124	1	Receptacle, Double (220V/50Hz Only)	
	70000125	1	Receptacle, Single (220V/50Hz Only)	
		1	Breaker, Circuit Options:	
	7020194		110V Breaker, Circuit	
	70000126		220V Breaker, Circuit	
	3520028	1	Plug, Hole	
2C		1	Voltmeter Options:	
	2420203	1	Voltmeter - 110V (was p/n 7010699)	
	7020192	1	Voltmeter - 220V	
2D		1	Pulley Options:	
	3580276	1	Pulley - 60Hz	
	3580134	1	Pulley - 50Hz	
	7027887	1	Key, Woodruff	
3	0700816	4	Bolt 8mm x 40mm	
4	4751900	4	Flatwasher 9/16in Regular	
5	0200819	1	Arm, Adjusting	
6		1	V-Belt Options:	
	0480121		60Hz	
	0480120		50Hz	
7	0641610	1	Bolt 3/8in-16NC x 1-1/4in	
8	0100011	AR	Compound, Locking	
9	0641772	1	Bolt 7/16in-14NC x 9in	
10	4751600	6	Flatwasher 3/8in Regular	
11		1	Plate, Box Mounting Options:	
11A	3574684		Plate with Control BoX	
11B	1001102644		Plate with Junction Box	
12	0761210	2	Bolt M12 x 20mm	
13	0962563	1	Bushing, Spacer	
14	3311605	1	Locknut 3/8in-16NC	
15	3311705	1	Locknut 7/16in-14NC	
16	3740080	1	Relay	
17	Not Used			
18	0641508	1	Bolt 5/16in-18NC x 1in	
19	4751500	1	Flatwasher 5/16in Regular	
20	4031608	2	Capscrew M5 x 20mm	
21	4240018	AR	Tie-Strap (Not Shown)	
22	0721006	3	Bolt #10-24NC x 3/4in	
23	3311005	3	Locknut #10-24NC	
24	4751000	6	Flatwasher #10 Regular	
25	4360336	1	Switch, Toggle (Not Shown - Located at Platform)	
26	4740397	1	Washer, Spacer (Not Shown - Located at Platform)	
27	4060802	1	Guard, Switch (Not Shown - Located at Platform)	

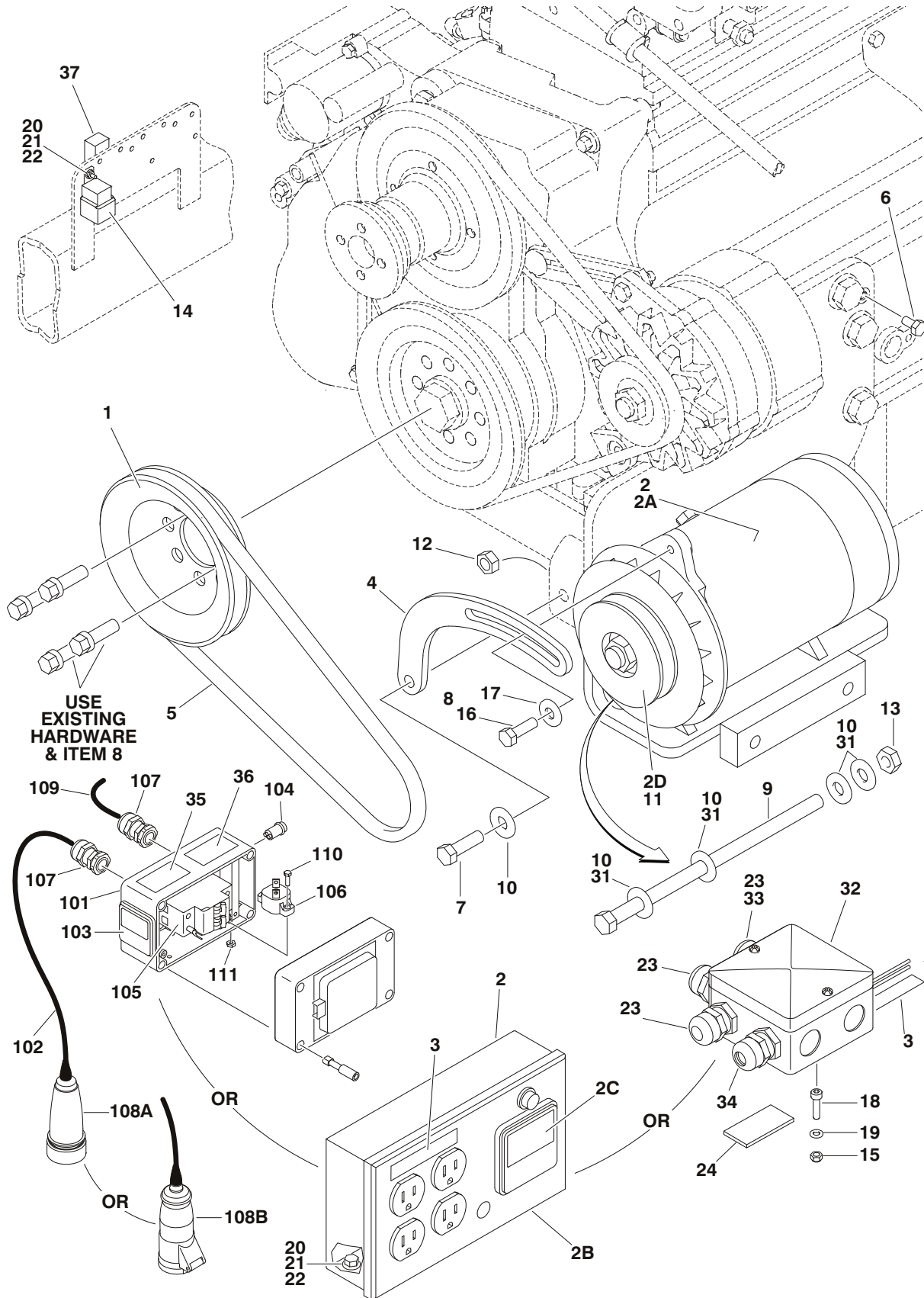
SECTION 2 TURNTABLE

FIGURE 2-26. 2500W GENERATOR INSTALLATION - CATERPILLAR MACHINES (OPTIONAL)

ITEM #	PART NUMBER	QTY.	DESCRIPTION	REV.
28	See Note 1705325 3252507	1	Decal - Voltage Options (Not Shown - Located at Platform): 110V/60Hz(Note: Not Available for Purchase.) 110V/50Hz 220V/50Hz	
29	2820031	4in/10cm	Heatshrink (Not Shown - Located at Platform)	
30	3251102	1	Decal (Not Shown - Located at Platform)	
31	Not Used			
32	1001100233 1001100234	1	Light, Red Options: 110V/50Hz 220V/50Hz	
33	0962449	1	Bushing	
34	3290505	2	Locknut M5	
35	4811600	2	Flatwasher M5	
36	4812100	2	Flatwasher M12	
37	1001099869	1	Junction Box Assembly	
38	4460968	3	Connector, Strain Relief	

SECTION 2 TURNTABLE

FIGURE 2-27. 2500W GENERATOR INSTALLATION - DEUTZ MACHINES (OPTIONAL)



SECTION 2 TURNTABLE

FIGURE 2-27. 2500W GENERATOR INSTALLATION - DEUTZ MACHINES (OPTIONAL)

ITEM #	PART NUMBER	QTY.	DESCRIPTION	REV.
		Ref	GENERATOR INSTALLATIONS	
		Ref	USA Built Machines SN 0300087000 to SN 0300139050:	
	0274082	Ref	110V/60Hz (Available on all Specs Except CE Spec)	3/C
	0274090	Ref	110V/50Hz (SN 0300087000 to SN 0300133734) (Available on ANSI Export, Australian & CE Specs)	1/A
	0273045	Ref	110V/50Hz (SN 0300087000 to SN 0300133734) (Available on CE Spec - UK Only)	1/A
	0273085	Ref	110V/50Hz (SN 0300087000 to SN 0300133734) (Available on CE Spec - Germany Only)	1/A
	1001100308	Ref	110V/50Hz (SN 0300133734 to SN 0300139050) (Available on ANSI Export, Australian & CE Specs)	D
	0274086	Ref	220V/50Hz (SN 0300087000 to SN 0300133734) (Available on ANSI Export, Australian & CE Specs)	1/A
	1001099868	Ref	220V/50Hz (SN 0300133734 to SN 0300139050) (Available on ANSI Export, Australian & CE Specs)	D
		Ref	USA Built Machines SN 0300139050 to SN 0300171769:	
	1001115405	Ref	110V/60Hz (Available on all Specs Except CE Spec)	A
	1001115410	Ref	110V/50Hz (Available on ANSI Export, Australian & CE Specs)	A
	1001115409	Ref	220V/50Hz (Available on ANSI Export, Australian & CE Specs)	A
		Ref	China Built Machines SN B300000100 to Present:	
	1001115405	Ref	110V/60Hz (Available on all Specs Except CE Spec)	A
	1001115409	Ref	220V/50Hz (Available on ANSI Export, Australian & CE Specs)	A
1	3580158	1	Pulley	
2		1	Generator Component Options:	
	2460055		110V/60Hz Generator & Control Box Assembly (0274082 Installation)	
	2460057		110V/50Hz Generator & Control Box Assembly (0274090 Installation)	
	2460049		110V/50Hz Generator Only (1001099869, 1001115410, 0273045 & 0273085 Installations which Uses Junction Box or Switch Box)	
	2460056		220V/50Hz Generator & Control Box Assembly (0274086 Installation)	
	1001100321		220V/50Hz Generator Only (1001100308 & 1001115409 Installation which Uses Junction Box)	
2A	7012558	1	Generator Only - 110V/60Hz	
	2460049	1	Generator Only - 110V/50Hz (was p/n 7019679 & 70000129)	
	1001100321	1	Generator Only - 220V/50Hz (was p/n 7019679 & 70000128)	
		Ref	Note: Replacement Generator come standard with p/n 3580134 pulley. This pulley may not be correct for all applications. Refer to pulley options below.	
		1	Armature with Slip Rings Options:	
	7026199		Armature with Slip Rings - 110V/60Hz	
	70000122		Armature with Slip Rings - 110V/50Hz	
	70000123		Armature with Slip Rings - 220V/50Hz	
	7012513	4	Cap, Brush Holder	

SECTION 2 TURNTABLE

FIGURE 2-27. 2500W GENERATOR INSTALLATION - DEUTZ MACHINES (OPTIONAL)

ITEM #	PART NUMBER	QTY.	DESCRIPTION	REV.	
2A (cont'd)	7020108	4	Brush		
	7020109	4	Holder, Brush		
	7012514	1	Fan		
	7020110	1	Bell, Front		
	7020111	1	Bell, Rear		
	7020190	2	Bearing		
	2B	7019680	1	Box, Control - 110V/60Hz & 110V/50Hz (0274082 & 0274090 Installations Only) (was p/n 7003657)	
70000127			Box, Control - 220V/50Hz (0274086 Installation Only) (was p/n 7019680)		
		AR	Receptacle Options:		
4460190		1	Receptacle, Standard (110V Only)		
4460027		1	Receptacle, Twistlock (110V Only)		
70000124		1	Receptacle, Double (220V/50Hz Only)		
70000125		1	Receptacle, Single (220V/50Hz Only)		
		1	Breaker, Circuit Options:		
7020194			110V Breaker, Circuit		
70000126			220V Breaker, Circuit		
3520028		1	Plug, Hole		
2C			1	Voltmeter Options:	
		2420203	1	Voltmeter - 110V (was p/n 7010699)	
	7020192	1	Voltmeter - 220V		
2D		1	Pulley Options:		
	3580276	1	Pulley - 60Hz		
	3580134	1	Pulley - 50Hz		
	7027887	1	Key, Woodruff		
3		1	Decal Options:		
	3251243		120V 60Hz		
	1705325		120V 50Hz		
	Not Required		220V/50Hz		
4		1	Arm, Adjusting Options:		
	0200742		All Installations Except 0273045 & 0273085		
	0200741		0273045 & 0273085 Installations Only		
5		1	V-Belt Options:		
	0480121		All Installations Except 0273045 & 0273085		
	0480120		0273045 & 0273085 Installations Only		
6	0641404	1	Bolt 1/4in-20NC x 1/2in		
7	0641610	1	Bolt 3/8in-16NC x 1-1/4in		
8	0100011	AR	Compound, Locking		
9	0641772	1	Bolt 7/16in-14NC x 9in		
10	4751600	6	Flatwasher 3/8in Regular		
11	2860012	1	Key, Woodruff		
12	3311605	1	Locknut 3/8in-16NC		
13	3311705	1	Locknut 7/16in-14NC		
14	3740080	1	Relay		
15	3290505	1	Locknut M5		
16	0641508	1	Bolt 5/16in-18NC x 1in		
17	4751500	AR	Flatwasher 5/16in Regular		
18	4031608	1	Capscrew M5 x 20mm		
19	4811600	1	Flatwasher M5		

SECTION 2 TURNTABLE

FIGURE 2-27. 2500W GENERATOR INSTALLATION - DEUTZ MACHINES (OPTIONAL)

ITEM #	PART NUMBER	QTY.	DESCRIPTION	REV.
20	0721006	AR	Bolt #10-24NC x 3/4in	
21	3311005	AR	Locknut #10-24NC	
22	4751000	9	Flatwasher #10 Regular	
23	4460968	3	Bushing, Strain Relief (10011099868, 1001100308, 1001115410 Installations Only)	
24	4420060	AR	Tape, Double Sided	
25	4360336	1	Switch, Toggle (Not Shown - Located at Platform)	
26	4740397	1	Bushing (Not Shown - Located at Platform)	
27	4060802	1	Guard, Switch (Not Shown - Located at Platform)	
28		1	Decal - Voltage Options (Not Shown - Located at Platform):	
	See Note		110V/60Hz (Note: Not Available for Purchase.)	
	1705325		110V/50Hz	
	3252507		220V/50Hz	
29	2820031	4in/10cm	Heatshrink (Not Shown - Located at Platform)	
30		1	Decal, Generator ON/OFF Options (Not Shown - Located at Platform):	
	3251102		All Installations Except 0273045 & 0273085	
	1705728		0273045 & 0273085 Installations Only	
31	4070585	AR	Shim .010in	
32	1001099869	1	Box, Junction (10011099868, 1001100308, 1001115409 & 1001115410 Installations Only)	
33	0962449	1	Bushing, Silicone (10011099868, 1001100308, 1001115409 & 1001115410 Installations Only)	
34		1	Light, Red Options:	
	1001100234		10011099868 & 1001115409 Installations Only (USA Built Machines SN 0300087000 to SN 0300139050)	
	1001100233		1001100308 & 1001115410 Installations Only (USA Built Machines SN 0300139050 to SN 0300171769 & China Built Machines SN B300000100 to Present)	
35	1705715	1	Decal - 115VAC (0273045 & 0273085 Installations Only)	
36	1705714	1	Decal - Danger (0273045 & 0273085 Installations Only)	
37	4360294	1	Breaker, Circuit - 30 Amp (0273045 & 0273085 Installations Only)	
	2902085	1	Installation Kit - Powermite Generator (Includes Generator Mounting Bracket, P/N 0480121 Belt & Mounting Hardware)	
		Ref	GENERATOR CONTROL BOX ASSEMBLY (0273045 & 0273085 INSTALLATIONS ONLY)	
	0861599	Ref	UK Spec	A
	0861607	Ref	German Spec	A
101	0861602	1	Box, Control	
102	1060461	20ft/6m	Cable Electrical 12/3	
103	2420203	1	Voltmeter	
104	2920162	1	Lamp	
105		1	Breaker Circuit Options:	
	4360541		Breaker Circuit (UK Spec)	
	4360540		Residual Current Device (German Spec)	
106	4360542	1	Breaker Circuit 20 Amp	
107	4460968	2	Connector, Strain Relief	

SECTION 2 TURNTABLE

FIGURE 2-27. 2500W GENERATOR INSTALLATION - DEUTZ MACHINES (OPTIONAL)

ITEM #	PART NUMBER	QTY.	DESCRIPTION	REV.
108		1	Plug Options:	
108A	4460991		Plug, Female (UK Spec)	
108B	4460999		Plug, Terminal (German Spec)	
109	4922912	1	Harness	
110	0721005	2	Screw #10-24NC x 5/8in	
111	3311001	2	Nut #10-24NC	

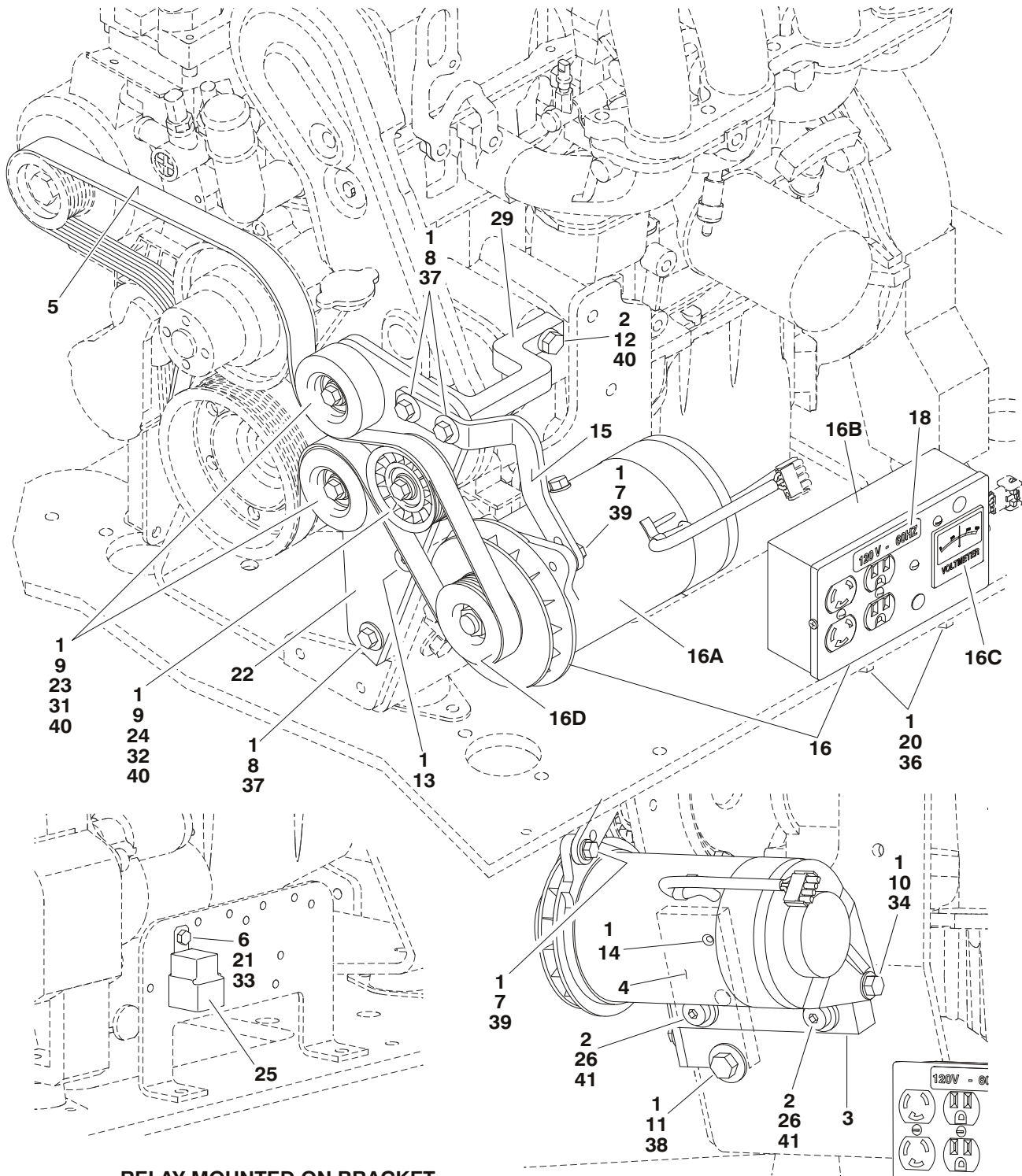
SECTION 2 TURNTABLE

FIGURE 2-27. 2500W GENERATOR INSTALLATION - DEUTZ MACHINES (OPTIONAL)

ITEM #	PART NUMBER	QTY.	DESCRIPTION	REV.

SECTION 2 TURNTABLE

FIGURE 2-28. 2500W GENERATOR INSTALLATION - FORD MACHINES (OPTIONAL)



RELAY MOUNTED ON BRACKET ON OPPOSITE SIDE OF ENGINE.

SECTION 2 TURNTABLE

FIGURE 2-28. 2500W GENERATOR INSTALLATION - FORD MACHINES (OPTIONAL)

ITEM #	PART NUMBER	QTY.	DESCRIPTION	REV.
		Ref	Note: Only Available on USA Built Machines.	
		Ref	GENERATOR INSTALLATION OPTIONS:	
	0273507	Ref	110V/60Hz	C
	0273511	Ref	220V/50Hz	D
1	0100011	AR	Compound, Locking	
2	0100019	AR	Compound, Locking	
3	0363082	1	Bar, Generator Adjuster	
4	0363097	1	Bar, Pulley Mounting	
5	0480135	1	V-Belt	
6	0641405	1	Bolt 1/4in-20NC x 5/8in	
7	0641508	1	Bolt 5/16in-18NC x 1in	
8	0641611	3	Bolt 3/8in-16NC x 1-3/8in	
9	0641612	3	Bolt 3/8in-16NC x 1-1/2in	
10	0641718	2	Bolt 7/16in-14NC x 2-1/4in	
11	0641810	1	Bolt 1/2in-13NC x 1-1/4in	
12	0701015	1	Bolt 10mm x 35mm	
13	0741606	1	Screw, Countersunk 3/8in-16NC x 3/4in	
14	0741808	1	Screw, Countersunk 1/2in-13NC x 1in	
15	0902952	1	Bracket, Generator Mounting	
16		1	Generator and Control Box Assembly Options:	
	2460051		110Volt Assembly	
	2460052		220Volt Assembly	
16A		1	Generator Only Options:	
	7012558		110V/60Hz Assembly	
	1001100321	1	220V/50Hz Assembly (was p/n 70000128)	
		Ref	Note: Replacement Generators come standard with p/n 3580134 pulley. This pulley may not be correct for all applications. Refer to pulley options below.	
		1	Armature with Slip Rings Options:	
	7026199		Armature with Slip Rings - 110V/60Hz	
	70000123		Armature with Slip Rings - 220V/50Hz	
	7020109	4	Holder, Brush	
	7020108	4	Brush	
	7012513	4	Cap, Brush Holder	
	7012514	1	Fan	
	7020110	1	Bell, Front	
	7020111	1	Bell, Rear	
	7020190	2	Bearing	
16B		1	Box, Control Options:	
	7019680		Box, Control - 110V/60Hz (was p/n 7003657)	
	70000127		Box, Control - 220V/50Hz	
		AR	Receptacle Options:	
	4460190	1	Receptacle, Standard (110V Only)	
	4460027	1	Receptacle, Twistlock (110V Only)	
	70000124	1	Receptacle, Double (220V/50Hz Only)	
	70000125	1	Receptacle, Single (220V/50Hz Only)	

SECTION 2 TURNTABLE

FIGURE 2-28. 2500W GENERATOR INSTALLATION - FORD MACHINES (OPTIONAL)

ITEM #	PART NUMBER	QTY.	DESCRIPTION	REV.
16B cont'd		1	Breaker, Circuit Options:	
	7020194		110V Breaker, Circuit	
	70000126		220V Breaker, Circuit	
	3520028	1	Plug, Hole	
16C		1	Voltmeter Options:	
	2420203		110V Voltmeter (was p/n 7010699)	
	7020192		220V Voltmeter	
16D		1	Pulley Options:	
	3580324		110Volt Assembly	
	3580325		220Volt Assembly	
	7027887	1	Key, Woodruff	
17	2820031	AR	Heatshrink (Not Shown - Located at Platform)	
18		1	Decal	
	1702590		110V Generator	
	3251243		220V Generator	
19		1	Nameplate Options (Not Shown - Located at Platform):	
	3252764		110V Generator	
	3251102		220V Generator	
20	3311005	2	Locknut #10-24NC	
21	3311405	1	Locknut 1/4in-20NC	
22	3574225	1	Plate, Pulley Mounting	
23	3580312	2	Pulley, Idler	
24	3580313	1	Pulley, Grooved Idler	
25	3740080	1	Relay, Bosch	
26	3900322	2	Screw, Shoulder	
27	4060802	1	Guard, Switch (Not Shown - Located at Platform)	
28	4240018	AR	Tie-Strap	
29	4340738	1	Support, Idler Pulley	
30	4360336	1	Switch, Toggle (Not Shown - Located at Platform)	
31	4568734	2	Spacer, Tube (Idler Pulley Non-Grooved)	
32	4568735	1	Spacer, Tube (Idler Pulley Grooved)	
33	4711400	1	Flatwasher 1/4in Thin	
34	4711700	2	Flatwasher 7/16in Thin	
35	4740397	1	Spacer	
36	4751000	2	Flatwasher #10 Regular	
37	4751600	3	Flatwasher 3/8in Regular	
38	4751800	1	Flatwasher 1/2in Regular	
39	4891500	1	Flatwasher 5/16in Hardened	
40	4891600	4	Flatwasher 3/8in Hardened	
41	4892000	2	Flatwasher 5/8in Hardened	

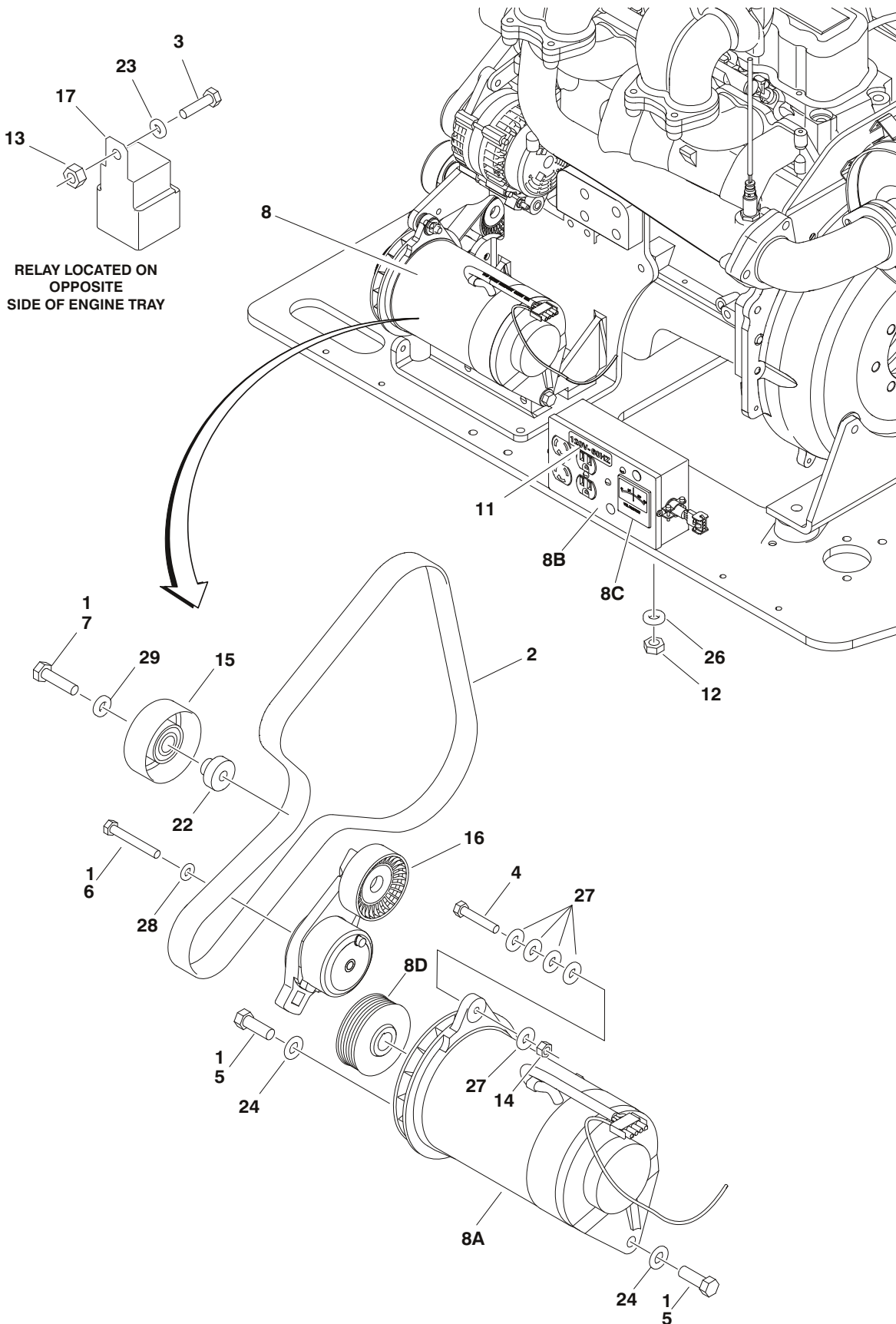
SECTION 2 TURNTABLE

FIGURE 2-28. 2500W GENERATOR INSTALLATION - FORD MACHINES (OPTIONAL)

ITEM #	PART NUMBER	QTY.	DESCRIPTION	REV.

SECTION 2 TURNTABLE

FIGURE 2-29. 2500W GENERATOR INSTALLATION - GM MACHINES (OPTIONAL)



SECTION 2 TURNTABLE

FIGURE 2-29. 2500W GENERATOR INSTALLATION - GM MACHINES (OPTIONAL)

ITEM #	PART NUMBER	QTY.	DESCRIPTION	REV.
		Ref	Note: Only Available on USA Built Machines.	
	0275039	Ref	GENERATOR INSTALLATION OPTIONS: 110V Generator 220V Generator (Note: Not Available for Purchase.) Note: Refer to Sky Power Accessories Manual P/N 3124242 for the Miller 7500W Generator.	E
	See Note	Ref		
		Ref		
		Ref		
1	0100011	AR	Compound, Locking	
2	0480142	1	V-Belt	
3	0641405	1	Bolt 1/4in-20NC x 5/8in	
4	0641514	1	Bolt Options: Bolt 5/16in-18NC x 1-3/4in (SN 0300087000 to SN 0300094705)	
	0641510		Bolt 5/16in-18NC x 1-1/4in (SN 0300094705 to SN 0300171769)	
5	0641710	2	Bolt 7/16in-14NC x 1-1/4in	
6	0700820	1	Bolt 8mm x 60mm	
7	0701016	1	Bolt 10mm x 340mm	
8	2460051	1	Generator and Control Box Assembly Options: 110Volt Assembly	
	2460052			220Volt Assembly
8A	7012558	1	Generator Options: 110Volt Assembly	
	1001100321			220Volt Assembly (was p/n 70000128)
		Ref	Note: Replacement Generators come standard with p/n 3580134 pulley. This pulley may not be correct for all applications. Refer to pulley options below.	
	7026199	1	Armature with Slip Rings Options: Armature with Slip Rings - 110V/60Hz	
	70000123		Armature with Slip Rings - 220V/50Hz	
	7020109	4	Holder, Brush	
	7020108	4	Brush	
	7012513	4	Cap, Brush Holder	
	7012514	1	Fan	
	7020110	1	Bell, Front	
	7020111	1	Bell, Rear	
	7020190	2	Bearing	
8B		1	Box, Control Options: Box, Control - 110V/60Hz (was p/n 7003657)	
	7019680		Box, Control - 220V/50Hz	
	70000127		Breaker, Circuit Options: 110V Breaker, Circuit	
	7020194	1	220V Breaker, Circuit	
	70000126		Receptacle, Double (220V/50Hz Only)	
	70000124	1	Receptacle, Single (220V/50Hz Only)	
	70000125	1	Plug, Hole	
8C		1	Voltmeter Options: 110V Voltmeter (was p/n 7010699)	
	2420203		220V Voltmeter	
	7020192			

SECTION 2 TURNTABLE

FIGURE 2-29. 2500W GENERATOR INSTALLATION - GM MACHINES (OPTIONAL)

ITEM #	PART NUMBER	QTY.	DESCRIPTION	REV.
8D		1	Pulley Options:	
	3580324		110Volt Assembly	
	3580325		220Volt Assembly	
	7027887	1	Key, Woodruff	
9	2820031	AR	Heatshrink (Not Shown - Located at Platform)	
10	33251102	1	Nameplate - Generator (Not Shown - Located at Platform)	
11		1	Decal Options:	
	3251243		110 Volt Generator	
	1702590		220 Volt Generator	
12	3311005	2	Locknut # 10-24NC	
13	3311405	1	Locknut 1/4in-20NC	
14	3311505	1	Locknut 5/16in-18NC (SN 0300087000 to SN 0300094705)	
15	3580312	1	Pulley, Idler	
16	3580348	1	Tensioner, Belt	
17	3740080	1	Relay, Bosch	
18	4060802	1	Guard, Switch (Not Shown - Located at Platform)	
19	4240018	AR	Tie-Strap (Not Shown)	
20	4360336	1	Switch, Toggle (Not Shown - Located at Platform)	
21	4460906	3	Terminal (Not Shown)	
22	4568735	1	Spacer, Tube (Idler Pulley Grooved)	
23	4711400	1	Flatwasher 1/4in Thin	
24	4711700	2	Flatwasher 7/16in Thin	
25	4740397	1	Spacer (Not Shown - Located at Platform)	
26	4751000	2	Flatwasher #10 Regular	
27	4751500	AR	Flatwasher 5/16in Regular	
28	4811900	1	Flatwasher M8	
29	4891600	1	Flatwasher 3/8in Hardened	

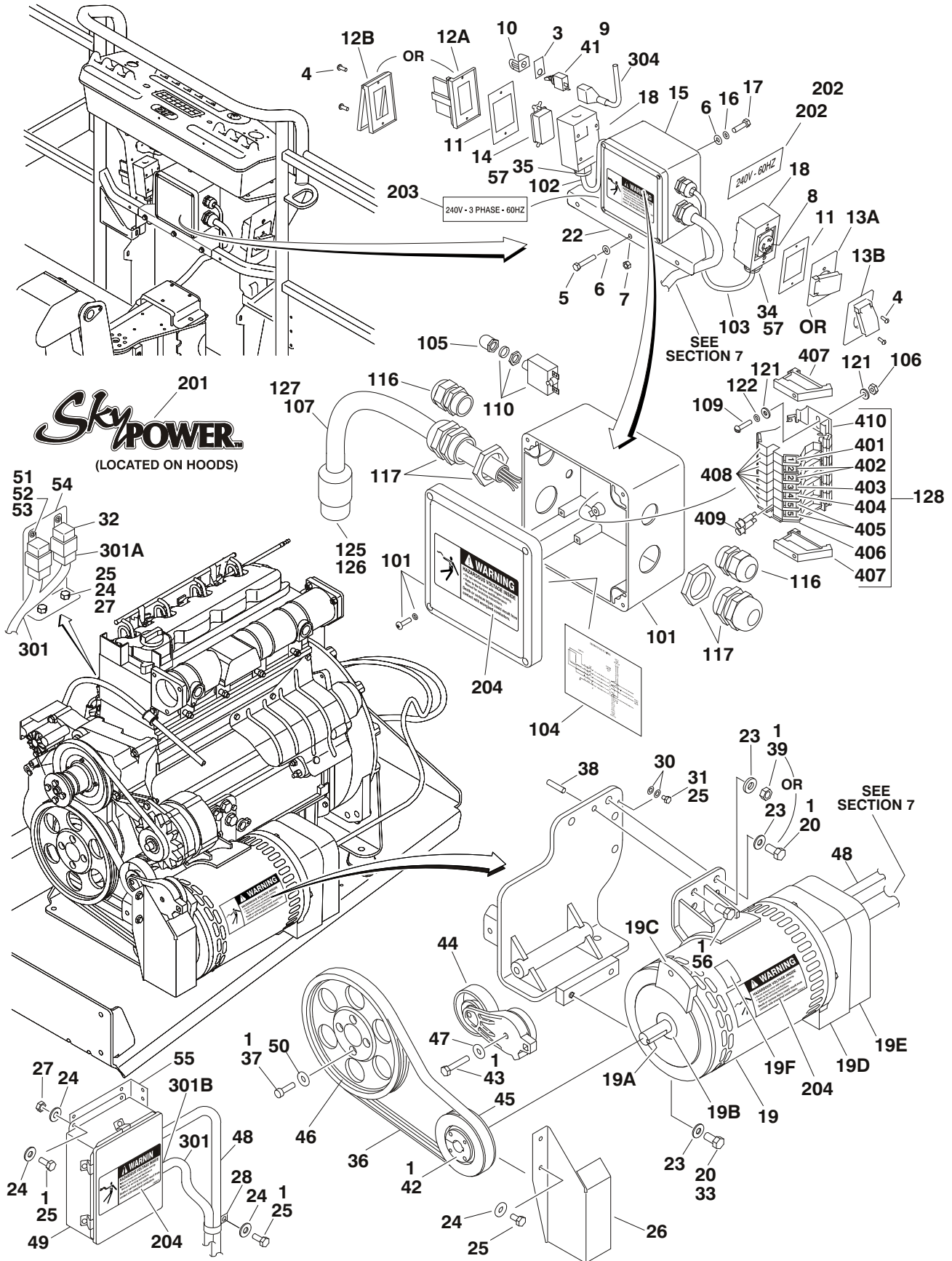
SECTION 2 TURNTABLE

FIGURE 2-29. 2500W GENERATOR INSTALLATION - GM MACHINES (OPTIONAL)

ITEM #	PART NUMBER	QTY.	DESCRIPTION	REV.

SECTION 2 TURNTABLE

FIGURE 2-30. 7500W SKYPOWER GENERATOR INSTALLATION - CATERPILLAR & DEUTZ ENGINES



SECTION 2 TURNTABLE

FIGURE 2-30. 7500W SKYPOWER GENERATOR INSTALLATION - CATERPILLAR & DEUTZ ENGINES

ITEM #	PART NUMBER	QTY.	DESCRIPTION	REV.
		Ref	7500W SKYPOWER GENERATOR INSTALLATION	
		Ref	USA Built Machines SN 0300087000 to SN 0300139050:	
	0273540	Ref	60Hz & Caterpillar Engine	J
	0273541	Ref	50Hz & Caterpillar Engine	I
	0272255	Ref	60Hz & Deutz Engine	L
	0272640	Ref	60Hz & Deutz Engine (Brazilian Spec Only)	H
	0272492	Ref	50Hz & Deutz Engine	J
		Ref	USA Built Machines SN 0300139050 to SN 0300171769	
	1001115398	Ref	60Hz & Caterpillar Engine	C
	1001115400	Ref	50Hz & Caterpillar Engine	C
	1001115387	Ref	60Hz & Deutz Engine	B
	1001115393	Ref	60Hz & Deutz Engine (Brazilian Spec Only)	B
	1001115389	Ref	50Hz & Deutz Engine	B
		Ref	China Built Machines SN B300000100 to Present	
	1001115398	Ref	60Hz & Caterpillar Engine	C
	1001115400	Ref	50Hz & Caterpillar Engine	C
	1001115387	Ref	60Hz & Deutz Engine	B
	1001115389	Ref	50Hz & Deutz Engine	B
		Ref	Note: SkyPower Generator is Standard On ANSI & CSA Specs. Optional on All Other Specs.	
		Ref	Note: See ELECTRICAL SECTION for Boom Cable Installation.	
1	0100011	AR	Compound, Locking	
2	Not Used			
3	3252764	1	Nameplate	
4	3910606	8	Screw #6-32NC x 3/8in	
5	0641516	3	Bolt 5/16in-18NC x 2in	
6	4711500	AR	Flatwasher 5/16in Thin	
7		3	Nut Options:	
	3311505		Locknut 5/16in-18NC (Standard)	
	3311508		Locknut 5/16in-18NC (Serrated Flange)	
8		1	Receptacle, Female Twist-Lock Options (220-240V Single):	
	4460958		60Hz	
	See Note		50Hz (Note: Not Available - Purchase Locally.)	
9	4360336	1	Switch, Toggle	
10	4060802	1	Guard, Switch	
11		2	Gasket Options:	
	3960422		60Hz	
	See Note		50Hz (Note: Not Available - Purchase Locally.)	
12		1	Cover, Receptacle Options:	
	See Note		50Hz (Note: Not Available - Purchase Locally.)	
12A	4060700		60Hz - Cover Side Hinged	
12B	1001110873		60Hz - Cover Top Hinged	
13		1	Cover, Receptacle Options:	
	See Note		50Hz (Note: Not Available - Purchase Locally.)	
13A	4061043		60Hz - Cover Side Hinged	

SECTION 2 TURNTABLE

FIGURE 2-30. 7500W SKYPOWER GENERATOR INSTALLATION - CATERPILLAR & DEUTZ ENGINES (CONTINUED)

ITEM #	PART NUMBER	QTY.	DESCRIPTION	REV.
13B	1001110872		60Hz - Cover Top Hinged	
14	4460346	1	Receptacle, Female Options (110-120V):	
	See Note		60Hz	
	4460315	2	50Hz (Note: Not Available - Purchase Locally.)	
15		1	Terminal, Spade (60HZ Machines Only)	
			Junction Box Assembly Options (See Items 101-126 for Breakdown):	
	0861542		60Hz Spec	
	0861567		50Hz Spec	
16	4761500	AR	Lockwasher 5/16in	
17		4	Bolt Options:	
	0641505		Bolt 5/16in-18NC x 5/8in	
	0641508		Bolt 5/16in-18NC x 1in	
18		2	Box, Switch Options:	
	0860038		60Hz Spec	
	See Note		50Hz Spec (Note: Not Available - Purchase Locally.)	
19		1	Generator Assembly Options:	
	2460050		Caterpillar Engine	
	2460048		Deutz Engine	
	70001100	1	Rotor (Includes p/n 70001384 & 70000863) (Not Shown)	
	70001384	1	Bearing, Ball Radial (Not Shown)	
	70000863	1	Fan (Not Shown)	
		1	Stator Options (Not Shown):	
	70001969		2460050 Generator	
	70002088		2460048 Generator	
	70002297	1	Stud	
	Use 70003631	1	Brushholder Assembly (Not Shown) (was p/n 7024484)	
19A	Use 70004171	1	Key (was p/n 7024561)	
19B	70001966	1	Bearing, Ball Radial (Located in Belt Tensioner Endbell)	
19C	70001953	1	Endbell, Belt Tensioner	
19D		1	Endbell, Brush Block Options (was p/n 70001385):	
	Use 70004170		Caterpillar Engine Machines	
	Use 70004169		Deutz Engine Machines	
19E		1	Shroud Options:	
	Use 70004170		Caterpillar Engine (was p/ns 70001970 & 70001971)	
	Use 70004169		Deutz Engine (was p/n 70002290)	
	7027799	1	Block, Connector 6 Position (Not Shown)	
	70002460	1	Nut, Brass (Attaches p/n 7027799 to Cover) (Not Shown)	
	7024485	1	Breaker, Circuit 30Amp (Not Shown)	
	70001696	1	Boot, Breaker (was p/n 7024486 - Not Shown)	
	7026597	1	Connector, W/Leads (Not Shown)	
	7026626	1	Housing Plug & Pins (Not Shown)	
	7026188	1	Clamp, Cable (Not Shown)	
	70003708	1	Retaining Ring Internal (Not Shown)	
	70003709	1	Retaining Ring External (Not Shown)	
		1	Plate, End Panel Options:	
	Use 70004170		Caterpillar Engine (was p/n 70001972)	
	Use 70004169		Deutz Engine (was p/n 70002255)	
	70001974	1	Decal - Terminal Connections	

SECTION 2 TURNTABLE

FIGURE 2-30. 7500W SKYPOWER GENERATOR INSTALLATION - CATERPILLAR & DEUTZ ENGINES (CONTINUED)

ITEM #	PART NUMBER	QTY.	DESCRIPTION	REV.
19F	70001973	1	Decal - Warning Moving Parts	
20		AR	Bolt 1/2in-13NC Options:	
	0641808	4	Caterpillar Engine	
	0641808	2	Deutz Engine	
21	Not Used			
22	0902888	1	Bracket, Box Mounting	
23		AR	Flatwasher 1/2in Options:	
	4711800		Thin	
	4891800		Hardened	
24		AR	Flatwasher 1/4in Options:	
	4711400		Flatwasher 1/4in Thin	
	4751400		Flatwasher 1/4in Regular	
	4761400		Lockwasher 1/4in	
25		AR	Bolt Options:	
	0641404		Bolt 1/4in-20NC x 1/2in	
	0641405		Bolt 1/4in-20NC x 5/8in	
	0641408		Bolt 1/4in-20NC x 1in	
26		AR	Shield Options:	
	Not Required	0	Caterpillar Engine (USA Built Machines SN 0300087000 to SN 030014393 & China Built Machines Prior to SN B300000231)	
	1001118599	1	Caterpillar Engine (USA Built Machines SN 0300143937 to SN 0300168215 & China Built Machines SN B300000231 to SN B300000735) (Not Shown)	
	4061049	1	Deutz Engine (Shown) (USA Built Machines SN 0300143937 to SN 0300171769 & China Built Machines SN B300000100 to SN B300000762)	
27	3311405	AR	Nut 1/4in-20NC	
28	1320318	1	Clamp (was p/n 1320224)	
29	4240018	AR	Tie-Strap (Not Shown)	
30	4791400	2	Starwasher 1/4in	
31	0641403	AR	Bolt 1/4in-20NC x 3/8in	
32	3740080	1	Relay	
33	0100019	AR	Compound, Locking	
34		1	Connector, Strain Relief Options:	
	4460051		60Hz	
	See Note		50Hz (Note: Not Available - Purchase Locally.)	
35		1	Connector, Strain Relief	
	4460071		60Hz	
	See Note		50Hz (Note: Not Available - Purchase Locally.)	
36		1	Belt, Drive Options:	
	0480129		60Hz Generators:	
			50Hz Generators:	
	0480125		Caterpillar Engine	
	0480126		Deutz Engine	
37		AR	Bolt Options:	
	0700815	4	Caterpillar Engine (Bolt M8 x 35mm)	
	4032015	4	Deutz Engine (Capscrew M10 x 55mm)	
38	4300157	1	Stud	

SECTION 2 TURNTABLE

FIGURE 2-30. 7500W SKYPOWER GENERATOR INSTALLATION - CATERPILLAR & DEUTZ ENGINES (CONTINUED)

ITEM #	PART NUMBER	QTY.	DESCRIPTION	REV.
39	3311801	1	Nut 1/2in-13NC	
40	0100062	1	Loctite (Not Shown)	
41	2820031	1	Insulator	
42	0962520	1	Bushing, Split Taper (was p/n 7024562)	
43		1	Bolt 3/8in-16NC Options:	
	3931632		Capscrew, Socket Head 3/8in-16NC x 2in	
	0641618		Bolt, Hex Head 3/8in-16NC x 2-1/4in	
44	3580317	1	Tensioner, Belt (was p/n 7024482)	
45		1	Pulley Options:	
	3580318		60Hz Generator (was p/n 7024563)	
	3580319		50Hz Generator (was p/n 7026187)	
46		1	Pulley Options:	
	3580321		Caterpillar Engine	
	3580320		Deutz Engine	
47	4711600	AR	Flatwasher 3/8in Thin	
48	4922925	1	Harness, Generator	
49		1	Control Box Assembly Options:	
	0861538		60Hz Generator (was p/n 7024487)	
	0861572		50Hz Generator (was p/n 7024487)	
	7024488	1	Card, Circuit - Generator Power	
	See Note	1	Fuse (Note: Not Available - Purchase Locally.)	
	70000619	1	Harness, Control Box (Internal)	
	7024489	1	Card, Circuit - Control	
		Ref	Note: Same Circuit Card (P/N 7024489) is used for both 60Hz & 50Hz. When replacing card, rocker switch on card must be set for required application.	
50	4811900	AR	Flatwasher M8	
51	0721004	2	Screw, Machine #10-24NC 1/2in	
52	4751000	4	Flatwasher #10 Regular	
53	3311005	2	Locknut #10-24NC	
54	Not Required	0	Bracket, Relay Mounting	
55	Not Required	0	Bracket, Control Box Mounting	
56	0771415	AR	Bolt M14 x 35mm	
57	0100020	AR	Sealant, Pipe	
		Ref	JUNCTION BOX ASSEMBLY	
	0861542	Ref	60Hz Specs	D
	0861567	Ref	50Hz Specs	B
101	0861541	1	Box, Junction	
102		2 ft/.6m	Cable, Electrical 12/3	
	1060494		60Hz Spec	
	See Note		50Hz Spec (Note: Not Available - Purchase Locally.)	
103		2.5ft/.76m	Cable, Electrical 10/3	
	1060708		60Hz Spec	
	See Note		50Hz Spec (Note: Not Available - Purchase Locally.)	
104	1705376	1	Decal - Wiring Schematic	
105	3300396	1	Cover, Fuse	

SECTION 2 TURNTABLE

FIGURE 2-30. 7500W SKYPOWER GENERATOR INSTALLATION - CATERPILLAR & DEUTZ ENGINES (CONTINUED)

ITEM #	PART NUMBER	QTY.	DESCRIPTION	REV.
106	3310601	2	Nut 6-32NC	
107	1060343	1.5ft/.46m	Cable, Electrical 10/4 (60Hz Spec Only)	
108	3641533	1	Rail, Relay	
109	3910610	2	Bolt 6-32NC x 5/8in	
110	4360070	1	Circuit Breaker - 15 Amp	
111 to 115	Not Used			
116	4460425	2	Connector, Strain Relief	
117	4460426	2	Connector, Strain Relief	
118 to 120	Not Used			
121	4750600	4	Flatwasher, #6 Regular	
122	4760600	2	Lockwasher #6	
123 to 124	Not Used			
125	1671092	1	Cover (60Hz Spec Only)	
126	4460963	1	Connector (60Hz Spec Only)	
127	3520189	1	Plug (50Hz Spec Only)	
128		1	Terminal Block Assembly Options (See Items 401-410 for Breakdown):	
	NPN		Gray Terminal Block Assembly	
	1001121340		Tan Terminal Block Assembly	
		Ref	DECAL INSTALLATION	
	0272435	Ref	60Hz Specs	B
	0272589	Ref	50Hz Specs	A
201	1705460	2	Decal - SkyPower™	
202	1705374	1	Decal - 240V - 60Hz (60Hz Spec Only)	
203		1	Decal - 240V - 3 Phase Options:	
	1705375	1	60Hz Spec	
	1705461	1	50Hz Spec	
204		3	Decal, Hazardous Voltage Options:	
	1705387		60Hz Spec	
	1705489		50Hz Spec	
		Ref	ELECTRICAL DIAGRAM COMPONENTS	
	4933264	Ref	USA Built Machines SN 0300087000 to SN 0300139050	C
	1001112586	Ref	USA Built Machines SN 0300139050 to SN 0300171769	A
	1001112586	Ref	China Built Machines SN B300000100 to Present	A
301		1	Generator Harness Options:	
	4922757		SN 0300087000 to SN 0300139050	3/C
	1001112587		SN 0300139050 to SN 0300171769	A
	1001112587		China Built Machines SN B300000100 to Present	A
301A	4460374	2	Plug, Sealed Relay	
	4460375	7	Terminal	
301B	4460967	1	Plug, Male - 3 Position	
	4460465	3	Socket, Female	
301C	2400060	1	Fuseholder (Not Shown)	
	2400064	1	Fuse - 5 Amp (Not Shown)	
302 to 303	Not Used			
304	4922641	1	Switch Harness	

SECTION 2 TURNTABLE

FIGURE 2-30. 7500W SKYPOWER GENERATOR INSTALLATION - CATERPILLAR & DEUTZ ENGINES (CONTINUED)

ITEM #	PART NUMBER	QTY.	DESCRIPTION	REV.
		Ref	TERMINAL BLOCK ASSEMBLY	
	NPN	Ref	Gray Terminal Block Assembly (Complete Assembly Not Available - Purchase Individual Components)	
	1001121340	Ref	Tan Terminal Block Assembly	A
401		2	Marker Strip #1 Options:	
	4460411		Gray Terminal Block Assembly	
	70002818		Tan Terminal Block Assembly	
402		4	Marker Strip #2 Options:	
	4460412		Gray Terminal Block Assembly	
	70002819		Tan Terminal Block Assembly	
403		2	Marker Strip #3 Options:	
	4460413		Gray Terminal Block Assembly	
	70002820		Tan Terminal Block Assembly	
404		2	Marker Strip #4 Options:	
	4460414		Gray Terminal Block Assembly	
	70002821		Tan Terminal Block Assembly	
405		4	Marker Strip #5 Options:	
	4460415		Gray Terminal Block Assembly	
	70002822		Tan Terminal Block Assembly	
406		1	Terminal, End Barrier Options:	
	4460956		Gray Terminal Block Assembly	
	70002823		Tan Terminal Block Assembly	
407		2	Terminal, End Block Options:	
	4460607		Gray Terminal Block Assembly	
	70002824		Tan Terminal Block Assembly	
408		7	Terminal, Block Options:	
	4460957		Gray Terminal Block Assembly	
	70002825		Tan Terminal Block Assembly	
409		2	Terminal, Cross Connector Jumper Options:	
	4461001		Gray Terminal Block Assembly	
	70002826		Tan Terminal Block Assembly	
410	3641533	1	Rail, Relay	

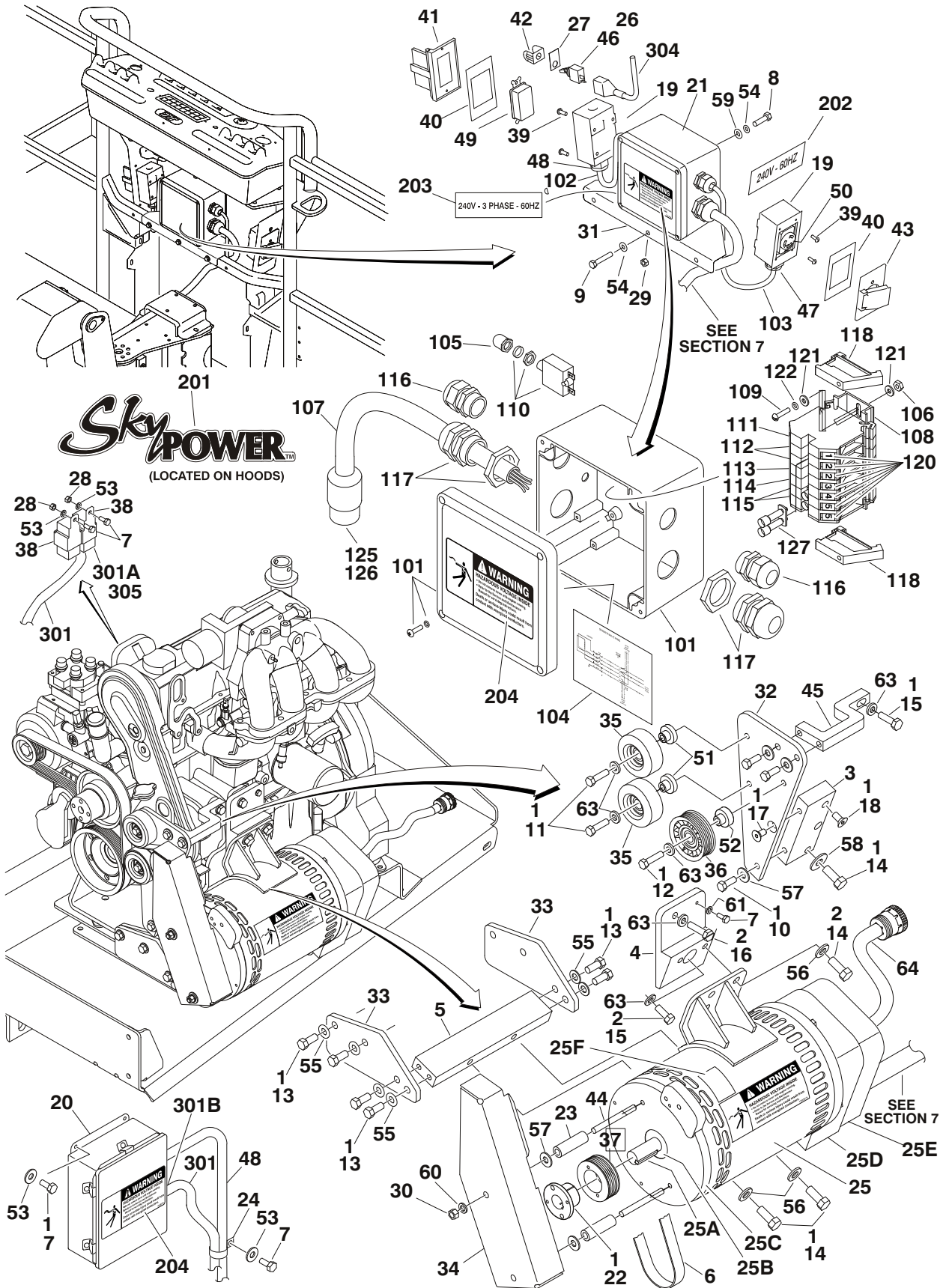
SECTION 2 TURNTABLE

FIGURE 2-30. 7500W SKYPOWER GENERATOR INSTALLATION - CATERPILLAR & DEUTZ ENGINES (CONTINUED)

ITEM #	PART NUMBER	QTY.	DESCRIPTION	REV.

SECTION 2 TURNTABLE

FIGURE 2-31. 7500W SKYPOWER GENERATOR INSTALLATION - FORD ENGINES



SECTION 2 TURNTABLE

FIGURE 2-31. 7500W SKYPOWER GENERATOR INSTALLATION - FORD ENGINES

ITEM #	PART NUMBER	QTY.	DESCRIPTION	REV.
		Ref	Note: Only Available on USA Built Machines.	
	0272817	Ref	7500W SKYPOWER GENERATOR INSTALLATION	G
		Ref	Note: SkyPower Generator is Standard On ANSI & CSA Specs. Optional on All Other Specs.	
		Ref	Note: See ELECTRICAL SECTION for Boom Cable Installation.	
1	0100011	AR	Compound, Locking	
2	0100019	AR	Compound, Locking	
3	0363097	1	Bar, Pulley Mount	
4	0363201	1	Bar, Generator Mount (Top)	
5	0363202	1	Bar, Generator Mount (Bottom)	
6	0480130	1	Belt, Generator	
7	0641405	8	Bolt 1/4in-20NC x 5/8in	
8	0641505	4	Bolt 5/16in-18NC x 5/8in	
9	0641516	3	Bolt 5/16in-18NC x 2in	
10	0641608	3	Bolt 3/8in-16NC x 1in	
11	0641611	2	Bolt 3/8in-16NC x 1-3/8in	
12	0641612	1	Bolt 3/8in-16NC x 1-1/2in	
13	0641708	8	Bolt 7/16in-14NC x 1in	
14	0641810	5	Bolt 1/2in-13NC x 1-1/4in	
15	0701015	2	Bolt M10 x 35mm	
16	0701016	1	Bolt M10 x 40mm	
17	0741606	1	Screw, Flathead Countersunk 3/8in-16NC x 3/4in	
18	0741808	1	Screw, Flathead Countersunk 1/2in-13NC x 1in	
19	0860038	2	Box, Switch	
20	Use 0861538	1	Control Box Assembly (was p/n 7024487):	
	7024488	1	Card, Circuit - Generator Power	
	See Note	1	Fuse (Note: Not Available - Purchase Locally.)	
	7024489	1	Card, Circuit - Control (Includes Harness)	
	70000619	1	Harness, Control Box (Internal)	
21	0861542	1	Junction Box Assembly (See Items 201-222 for Breakdown)	
22	0962520	1	Bushing, Split Taper	
23	0962521	2	Spacer, Tube	
24	1320224	1	Clamp	
25	2460048	1	Generator Assembly	
	70001100	1	Rotor (Includes p/n 70001384 & 70000863) (Not Shown)	
	70001384	1	Bearing, Ball Radial (Not Shown)	
	70000863	1	Fan (Not Shown)	
	70002088	1	Stator Options (Not Shown):	
	70002297	1	Stud	
	Use 70003631	1	Brushholder Assembly (Not Shown) (was p/n 7024484)	
25A	Use 70004171	1	Key (was p/n 7024561)	
25B	70001966	1	Bearing, Ball Radial (Located in Belt Tensioner Endbell)	
25C	70001953	1	Endbell, Belt Tensioner	
25D	Use 70004169	1	Endbell, Brush Block (was p/n 70001385)	
25E	Use 70004169	1	Shroud (was p/n 70002290)	
	7027799	1	Block, Connector 6 Position (Not Shown)	

SECTION 2 TURNTABLE

FIGURE 2-31. 7500W SKYPOWER GENERATOR INSTALLATION - FORD ENGINES

ITEM #	PART NUMBER	QTY.	DESCRIPTION	REV.
25E cont'd	70002460	1	Nut, Brass (Attaches p/n 7027799 to Cover) (Not Shown)	
	7024485	1	Breaker, Circuit 30Amp (Not Shown)	
	70001696	1	Boot, Breaker (was p/n 7024486 - Not Shown)	
	7026597	1	Connector, W/Leads (Not Shown)	
	7026626	1	Housing Plug & Pins (Not Shown)	
	7026188	1	Clamp, Cable (Not Shown)	
	Use 70004169	1	Plate, End Panel (was p/n 70002255)	
	70001974	1	Decal - Terminal Connections	
25F	70001973	1	Decal - Warning Moving Parts	
26	2820031	1	Insulator	
27	3252764	1	Nameplate	
28	3311405	6	Locknut 1/4in-20NC	
29	3311505	3	Locknut 5/16in-18NC	
30	3311601	2	Nut 3/8in-16NC	
31	0902888	1	Bracket, Box Mounting	
32	3574225	1	Plate, Pulley Mounting	
33	3574229	2	Plate, Gusset Generator Mounting	
34	3574262	1	Plate, Shield	
35	3580312	2	Pulley, Idler	
36	3580313	1	Pulley, Idler Grooved	
37	3580314	1	Pulley, Drive Grooved	
38	3740080	2	Relay	
39	3910606	8	Screw #6-32NC x 3/8in	
40	3960422	2	Gasket	
41		1	Cover, Receptacle Options:	
	4060700		SN 0300087000 to SN 0300138241	
	1001110873		SN 0300138241 to SN 0300171769	
42	4060802	1	Guard, Switch	
43		1	Cover, Receptacle Options:	
	4061043		SN 030087000 to SN 0300138241	
	1001110872		SN 0300138241 to Present	
44	4300111	2	Stud, Chain Assembly	
45	4340738	1	Support, Idler Pulley Mount	
46	4360336	1	Switch, Toggle	
47	4460051	1	Connector, Strain Relief	
48	4460071	1	Connector, Strain Relief	
49	4460346	1	Receptacle	
50	4460958	1	Receptacle, Female Twist-Lock	
51	4568734	2	Tube, Spacer Pulley	
52	4568735	1	Tube, Spacer Pulley Grooved	
53	4711400	11	Flatwasher 1/4in Thin	
54	4711500	10	Flatwasher 5/16in Thin	
55	4711700	8	Flatwasher 7/16in Thin	
56	4711800	4	Flatwasher 1/2in Thin	
57	4751600	5	Flatwasher 3/8in Regular	
58	4751800	1	Flatwasher 1/2in Regular	
59	4761500	4	Lockwasher 5/16in	
60	4761600	2	Lockwasher 3/8in	
61	4791400	1	Starwasher 1/4in	

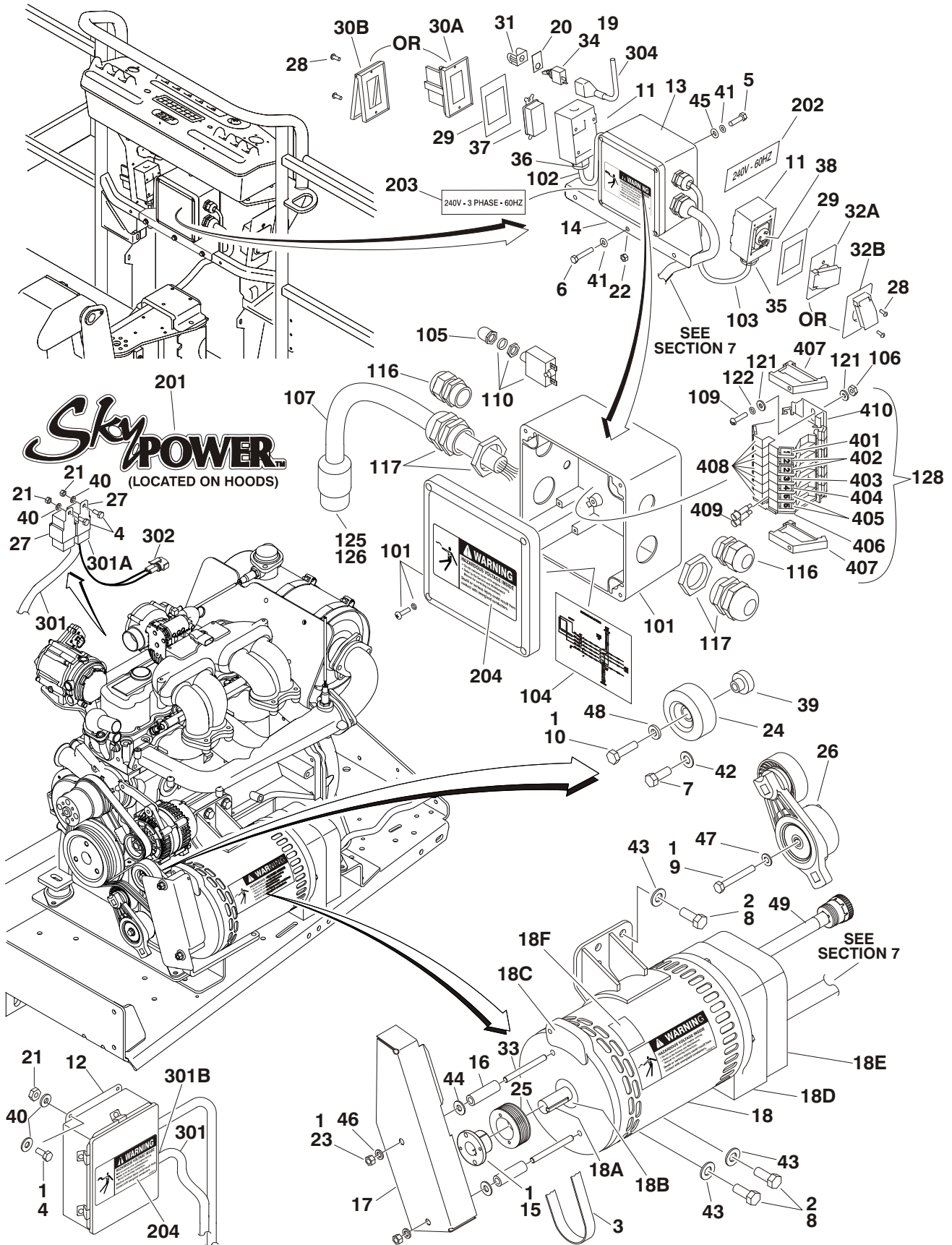
SECTION 2 TURNTABLE

FIGURE 2-31. 7500W SKYPOWER GENERATOR INSTALLATION - FORD ENGINES

ITEM #	PART NUMBER	QTY.	DESCRIPTION	REV.
62	Not Used			
63	4891600	6	Flatwasher 3/8in Hardened	
64	4922925	1	Harness, Generator	
	0861542	Ref	JUNCTION BOX ASSEMBLY	C
101	0861541	1	Box, Junction	
102	1060494	2ft/.6m	Cable, Electrical 12/3	
103	1060708	2.5ft/.76m	Cable, Electrical 10/3	
104	1705376	1	Decal - Wiring Schematic	
105	3300396	1	Cover, Fuse	
106	3310601	2	Nut 6-32NC	
107	1060343	1.5ft/.46m	Cable, Electrical 10/4	
108	3641533	1	Rail, Relay	
109	3910610	2	Bolt 6-32NC x 5/8in	
110	4360070	1	Circuit Breaker - 15 Amp	
111	4460411	2	Marker Strip #1	
112	4460412	4	Marker Strip #2	
113	4460413	2	Marker Strip #3	
114	4460414	2	Marker Strip #4	
115	4460415	4	Marker Strip #5	
116	4460425	2	Strain Relief, Terminal	
117	4460426	2	Connector, Strain Relief	
118	4460607	2	Terminal, End Stop	
119	4460956	1	Terminal, Block End	
120	4460957	7	Terminal, Block	
121	4750600	4	Flatwasher, #6 Regular	
122	4760600	2	Lockwasher #6	
123 to 124	Not Used			
125	1671092	1	Cover	
126	4460963	1	Connector	
127	4461001	2	Cross Connector - 2 Position	
	0272435	Ref	DECAL INSTALLATION	A
201	1705460	2	Decal - SkyPower™	
202	1705374	1	Decal - 240V - 60Hz	
203	1705375	1	Decal - 240V - 3 Phase	
204	1705387	3	Decal, Hazardous Voltage	
	4933283	Ref	ELECTRICAL DIAGRAM COMPONENTS	1/A
301	4922905	1	Generator Harness	2/B
301A	4460374	2	Plug, Sealed Relay	
	4460375	7	Terminal	
301B	4460967	1	Plug, Male - 3 Position	
	4460465	3	Socket, Female	
301C	2400060	2	Fuseholder (Not Shown)	
	2400064	2	Fuse - 5 Amp (Not Shown)	
302 to 303	Not Used			
304	4922641	1	Switch Harness	
305	4460375	1	Terminal	

SECTION 2 TURNTABLE

FIGURE 2-32. 7500W SKYPOWER GENERATOR INSTALLATION - GM ENGINES



SECTION 2 TURNTABLE

FIGURE 2-32. 7500W SKYPOWER GENERATOR INSTALLATION - GM ENGINES

ITEM #	PART NUMBER	QTY.	DESCRIPTION	REV.
		Ref	Note: Only Available on USA Built Machines.	
	0275257	Ref	7500W SKYPOWER GENERATOR INSTALLATION	F
		Ref	Note: SkyPower Generator is Standard On ANSI & CSA Specs. Optional on All Other Specs.	
		Ref	Note: See ELECTRICAL SECTION for Boom Cable Installation.	
1	0100011	AR	Compound, Locking	
2	0100019	AR	Compound, Locking	
3	0480142	1	Belt, Generator	
4	0641405	6	Bolt 1/4in-20NC x 5/8in	
5	0641505	4	Bolt 5/16in-18NC x 5/8in	
6	0641516	3	Bolt 5/16in-18NC x 2in	
7	0641608	AR	Bolt 3/8in-16NC x 1in	
8		4	Bolt Options:	
	0641810		Bolt 1/2in-13NC x 1-1/4in	
	0641808		Bolt 1/2in-13NC x 1in	
9	0700820	1	Bolt M8 x 60mm	
10	0701016	1	Bolt M10 x 40mm	
11	0860038	2	Box, Switch	
12	0861538	1	Control Box Assembly	
	7024488	1	Card, Circuit - Generator Power	
	See Note	1	Fuse (Note: Not Available - Purchase Locally.)	
	7024489	1	Card, Circuit - Control	
	70000619	1	Harness, Control Box (Internal)	
13	0861542	1	Junction Box Assembly (See Items 101-127 for Breakdown)	
14	0902888	1	Bracket, Box Mounting	
15	0962520	1	Bushing, Split Taper	
16	0962521	2	Spacer, Tube (SN 0300087000 to SN 0300171769)	
17	1671311	1	Cover, Generator Belt (SN 0300087000 to SN 0300171769)	
18	2460048	1	Generator Assembly	
	70001100	1	Rotor (Includes p/n 70001384 & 70000863) (Not Shown)	
	70001384	1	Bearing, Ball Radial (Not Shown)	
	70000863	1	Fan (Not Shown)	
	70002088	1	Stator Options (Not Shown):	
	70002297	1	Stud	
	Use 70003631	1	Brushholder Assembly (Not Shown) (was p/n 7024484)	
18A	Use 70004171	1	Key (was p/n 7024561)	
18B	70001966	1	Bearing, Ball Radial (Located in Belt Tensioner Endbell)	
18C	70001953	1	Endbell, Belt Tensioner	
18D	Use 70004169	1	Endbell, Brush Block (was p/n 70001385)	
18E	Use 70004169	1	Shroud (was p/n 70002290)	
	7027799	1	Block, Connector 6 Position (Not Shown)	
	70002460	1	Nut, Brass (Attaches p/n 7027799 to Cover) (Not Shown)	
	7024485	1	Breaker, Circuit 30Amp (Not Shown)	
	70001696	1	Boot, Breaker (was p/n 7024486 - Not Shown)	

SECTION 2 TURNTABLE

FIGURE 2-32. 7500W SKYPOWER GENERATOR INSTALLATION - GM ENGINES

ITEM #	PART NUMBER	QTY.	DESCRIPTION	REV.
18E cont'd	7026597	1	Connector, W/Leads (Not Shown)	
	7026626	1	Housing Plug & Pins (Not Shown)	
	7026188	1	Clamp, Cable (Not Shown)	
	Use 70004169	1	Plate, End Panel (was p/n 70002255)	
	70001974	1	Decal - Terminal Connections	
18F	70001973	1	Decal - Warning Moving Parts	
19	2820031	1	Insulator	
20	3252764	1	Nameplate	
21	3311405	6	Locknut 1/4in-20NC	
22	3311505	3	Locknut 5/16in-18NC	
23	3311601	2	Nut 3/8in-16NC (SN 0300087000 to SN 0300171769)	
24	3580312	2	Pulley, Idler	
25	3580314	1	Pulley, Drive Grooved	
26	3580348	1	Pulley, Belt Tensioner	
27	3740080	2	Relay	
28	3910606	8	Screw #6-32NC x 3/8in	
29	3960422	2	Gasket	
30		1	Cover, Receptacle Options:	
30A	4060700		Cover, Side Hinged	
30B	1001110873		Cover, Top Hinged	
31	4060802	1	Guard, Switch	
32		1	Cover, Receptacle Options:	
32A	4061043		Cover, Side Hinged	
32B	1001110872		Cover, Top Hinged	
33	4300111	2	Stud, Chain Assembly (SN 0300087000 to SN 0300171769)	
34	4360336	1	Switch, Toggle	
35	4460051	1	Connector, Strain Relief	
36	4460071	1	Connector, Strain Relief	
37	4460346	1	Receptacle	
38	4460958	1	Receptacle, Female Twist-Lock	
39	4568735	1	Tube, Spacer Pulley Grooved	
40	4711400	10	Flatwasher 1/4in Thin	
41	4711500	10	Flatwasher 5/16in Thin	
42	4711600	AR	Flatwasher 3/8in Thin	
43	4711800	4	Flatwasher 1/2in Thin	
44	4751600	2	Flatwasher 3/8in Regular (SN 0300087000 to SN 0300171769)	
45	4761500	4	Lockwasher 5/16in	
46	4761600	2	Lockwasher 3/8in (SN 0300087000 to SN 0300171769)	
47	4811900	1	Flatwasher M8	
48	4891600	1	Flatwasher 3/8in Hardened	
49	4922925	1	Harness, Generator	
	0861542	Ref	JUNCTION BOX ASSEMBLY	D
101	0861541	1	Box, Junction	
102	1060494	2ft/.6m	Cable, Electrical 12/3	
103	1060708	2.5ft/.76m	Cable, Electrical 10/3	
104	1705376	1	Decal - Wiring Schematic	
105	3300396	1	Cover, Fuse	

SECTION 2 TURNTABLE

FIGURE 2-32. 7500W SKYPOWER GENERATOR INSTALLATION - GM ENGINES

ITEM #	PART NUMBER	QTY.	DESCRIPTION	REV.
106	3310601	2	Nut 6-32NC	
107	1060343	1.5ft/.46m	Cable, Electrical 10/4	
108	3641533	1	Rail, Relay	
109	3910610	2	Bolt 6-32NC x 5/8in	
110	4360070	1	Circuit Breaker - 15 Amp	
111 to 115	Not Used			
116	4460425	2	Strain Relief, Terminal	
117	4460426	2	Connector, Strain Relief	
118 to 120	Not Used			
121	4750600	4	Flatwasher, #6 Regular	
122	4760600	2	Lockwasher #6	
123 to 124	Not Used			
125	1671092	1	Cover	
126	4460963	1	Connector	
127	Not Used			
128		1	Terminal Block Assembly Options (See Items 401-410 for Breakdown):	
	NPN		Gray Terminal Block Assembly	
	1001121340		Tan Terminal Block Assembly	
	0272435	Ref	DECAL INSTALLATION	A
201	1705460	2	Decal - SkyPower™	
202	1705374	1	Decal - 240V - 60Hz	
203	1705375	1	Decal - 240V - 3 Phase	
204	1705387	3	Decal, Hazardous Voltage	
	4933349	Ref	ELECTRICAL DIAGRAM COMPONENTS	A
301	4923420	1	Generator Harness	A
301A	4460374	2	Plug, Sealed Relay	
	4460375	8	Terminal	
301B	4460967	1	Plug, Male - 3 Position	
	4460465	3	Socket, Female	
301C	2400060	2	Fuseholder (Not Shown)	
	2400064	2	Fuse - 5 Amp (Not Shown)	
302	4460742	1	Connector - 2 Position	
	4460743	2	Socket, Female	
	4460458	2	Seal	
303	Not Used			
304	4922641	1	Switch Harness	

SECTION 2 TURNTABLE

FIGURE 2-32. 7500W SKYPOWER GENERATOR INSTALLATION - GM ENGINES

ITEM #	PART NUMBER	QTY.	DESCRIPTION	REV.
		Ref	TERMINAL BLOCK ASSEMBLY	
	NPN	Ref	Gray Terminal Block Assembly (Complete Assembly Not Available - Purchase Individual Components)	
	1001121340	Ref	Tan Terminal Block Assembly	A
401	4460411	2	Marker Strip #1 Options:	
	70002818		Gray Terminal Block Assembly	
			Tan Terminal Block Assembly	
402	4460412	4	Marker Strip #2 Options:	
	70002819		Gray Terminal Block Assembly	
			Tan Terminal Block Assembly	
403	4460413	2	Marker Strip #3 Options:	
	70002820		Gray Terminal Block Assembly	
			Tan Terminal Block Assembly	
404	4460414	2	Marker Strip #4 Options:	
	70002821		Gray Terminal Block Assembly	
			Tan Terminal Block Assembly	
405	4460415	4	Marker Strip #5 Options:	
	70002822		Gray Terminal Block Assembly	
			Tan Terminal Block Assembly	
406	4460956	1	Terminal, End Barrier Options:	
	70002823		Gray Terminal Block Assembly	
			Tan Terminal Block Assembly	
407	4460607	2	Terminal, End Block Options:	
	70002824		Gray Terminal Block Assembly	
			Tan Terminal Block Assembly	
408	4460957	7	Terminal, Block Options:	
	70002825		Gray Terminal Block Assembly	
			Tan Terminal Block Assembly	
409	4461001	2	Terminal, Cross Connector Jumper Options:	
	70002826		Gray Terminal Block Assembly	
			Tan Terminal Block Assembly	
410	3641533	1	Rail, Relay	

SECTION 3 BOOM

SECTION 3 BOOM

FIGURE 3-1. BOOM INSTALLATION - 600S

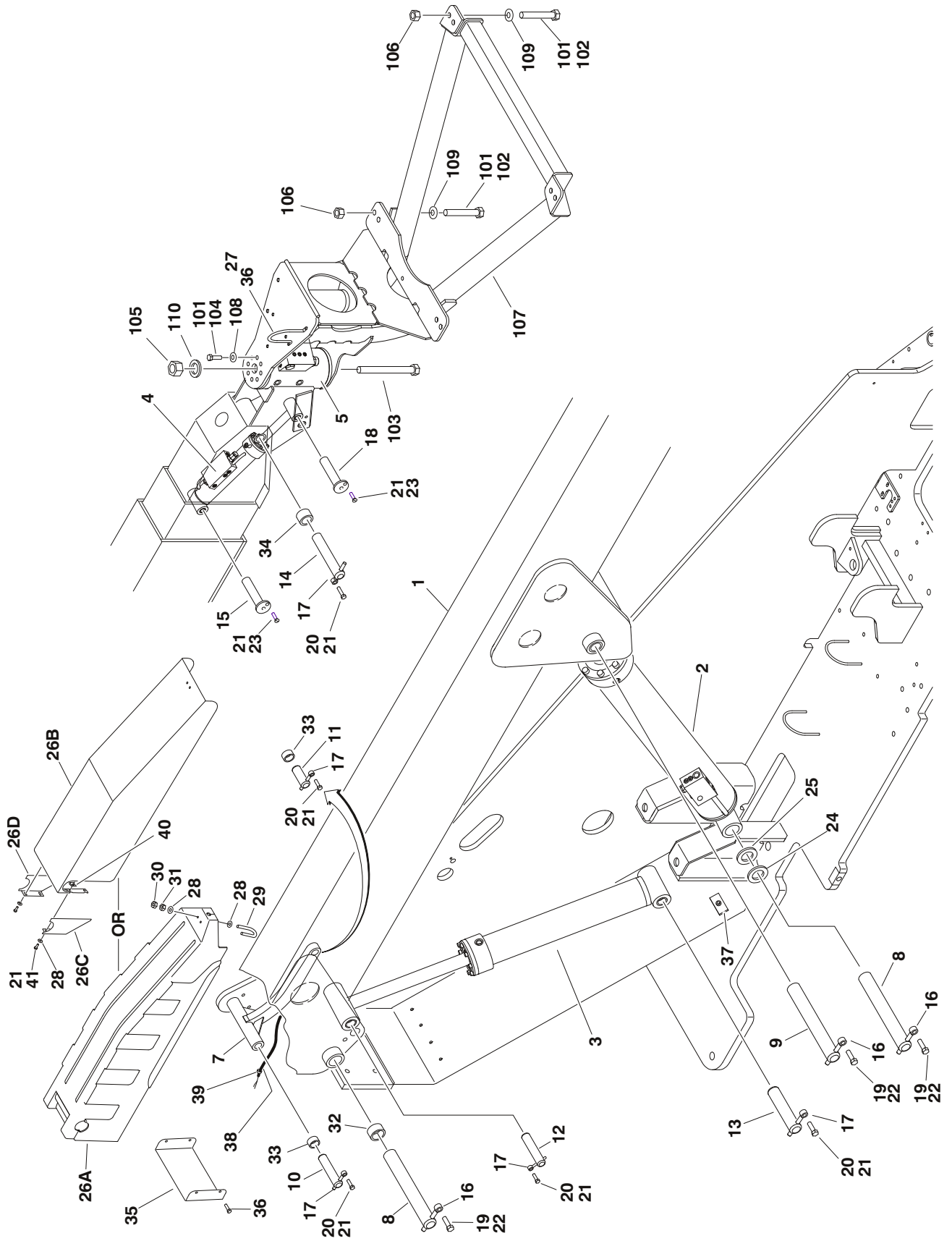


FIGURE 3-1. BOOM INSTALLATION - 600S

ITEM #	PART NUMBER	QTY.	DESCRIPTION	REV.
		Ref	BOOM AND CYLINDERS INSTALLATION	
		Ref	USA Built Machines SN 0300087000 to SN 0300137551	
	0273369	Ref	ANSI & ANSI Export Specs	3
	0272132	Ref	Australian & CE Specs	6
	1001108341	Ref	USA Built Machines SN 0300137551 to SN 0300171769	F
	1001121410	Ref	USA Built Machines with Shipyard Package	E
	1001108341	Ref	China Built Machines SN B300000100 to Present	F
1	See Note	1	Boom Assembly (See MAIN BOOM ASSEMBLIES for Breakdown)	
2		1	Boom Lift Cylinder Assembly Options (See CYLINDER SECTION for Breakdown):	
	Use 1001112468		USA Built Machines SN 0300087000 to SN 0300138402 (was p/n 1683666)	
	1001112468		USA Built Machines SN 0300138402 to SN 0300171769	
	1001112468		China Built Machines SN B300000100 to Present	
3		1	Master Cylinder Assembly Options (See CYLINDER SECTION for Breakdown):	
	1683266		USA Built Machines SN 0300087000 to SN 0300096979	
	1684414		USA Built Machines SN 0300096979 to SN 0300171769	
	1684414		China Built Machines SN B300000100 to SN B300000817	
	1001140593		China Built Machines SN B300000817 to SN B300000859	
	1684414		China Built Machines SN B300000859 to Present	
4		1	Platform Level Cylinder Assembly Options (See CYLINDER SECTION for Breakdown)	
	1683415		USA Built Machines	
	1683415		China Built Machines SN B300000100 to SN B300000817	
	1001140591		China Built Machines SN B300000817 to SN B300000859	
	1683415		China Built Machines SN B300000859 to Present	
5	0060067	1	Rotator Assembly (See ROTATOR ASSEMBLIES for Breakdown)	
6	Not Used	1		
7	1001094043	1	Link, Push (was p/n 4844944)	
8	3422564	2	Pin (Cylinder Pivot - T/T End & Boom Pivot)	
9		1	Pin (Lift Cylinder Pivot - Boom End) Options:	
	3422568		USA Built Machines SN 0300087000 to SN 0300096979	
	3423184		USA Built Machines SN 0300096979 to SN 0300171769	
	3423184		China Built Machines SN B300000100 to Present	
10	3422566	1	Pin (Link - T/T End)	
11	3422557	1	Pin (Link - Boom End)	
12		1	Pin (Master Cylinder - Boom End) Options:	
	3422567		USA Built Machines SN 0300087000 to SN 0300096979	
	3422563		USA Built Machines SN 0300096979 to SN 0300171769	
	3422563		China Built Machines SN B300000100 to Present	
13	3422565	1	Pin (Master Cylinder - T/T End)	
14	3422562	1	Pin (Rotator)	
15	3422569	1	Pin (Level Cylinder - Boom End)	
16	3841258	3	Keeper, Pin	
17	3841143	5	Keeper, Pin	
18	3422580	1	Pin (Level Cylinder - Rotator End)	

SECTION 3 BOOM

FIGURE 3-1. BOOM INSTALLATION - 600S (CONTINUED)

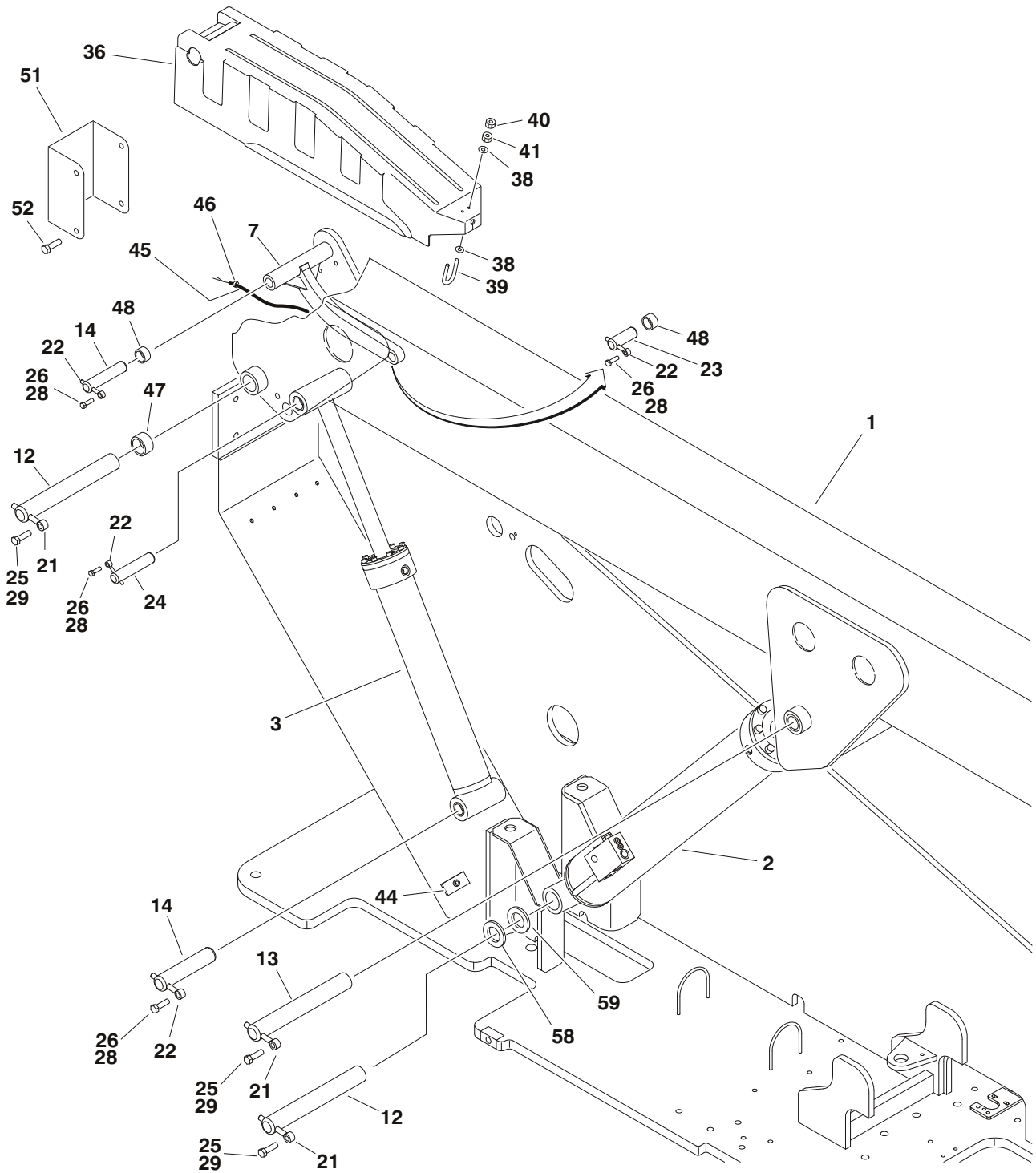
ITEM #	PART NUMBER	QTY.	DESCRIPTION	REV.
19	0642012	3	Bolt 5/8in-11NC x 1-1/2in	
20	0641608	5	Bolt 3/8in-16NC x 1in	
21	0100011	AR	Compound, Locking	
22	0100019	AR	Compound, Locking	
23	0741607	2	Screw, Countersunk 3/8in-16NC x 7/8in	
24	4740314	AR	Thrustwasher	
25	4740158	AR	Thrustwasher	
26		1	Cover, Boom Options:	
26A	Use 1001148925		Cover, Black Poly (was p/n 1671055)	
26B	1001122472		Cover, Steel (Machines with Shipyard Package Only)	
26C	1001127195		Bracket, LH Cover (Machines with Shipyard Package Only)	
26D	1001127196		Bracket, RH Cover (Machines with Shipyard Package Only)	
27	3841340	1	Loop, Hose	
28	4751400	4	Flatwasher 1/4in Regular (China Built Machines SN B300000100 to SN B300000778)	
29	0630458	1	U-Bolt (China Built Machines SN B300000100 to SN B300000778)	
30	3311402	4	Nut, Jam 1/4in-20NC (China Built Machines SN B300000100 to SN B300000778)	
31	3311405	2	Locknut 1/4in-20NC (China Built Machines SN B300000100 to SN B300000778)	
32	0961950	2	Bushing	
33	0962006	3	Bushing, Garmax	
34	0961951	2	Bushing, Garmax	
35	3539563	1	Cover (China Built Machines SN B300000100 to SN B300000778)	
36	0641604	AR	Bolt 3/8in-16NC x 1/2in	
37	1320235	1	Clamp, Stauff	
38	4100033	2ft/.3m	Sleeve	
39	4240033	2	Tie-Strap	
40	3300454	4	Nut, Special	
41	0641406	4	Bolt 1/4in-20NC x 3/4in	
		Ref	SUPPORT INSTALLATIONS (SIDE ENTRY PLATFORM)	
	0272070	Ref	Machines without Load Sensing and without Skyglazier.	D
	See Note	Ref	Machines without Load Sensing and with Skyglazier (Note: Refer to JLG Supplement p/n 3124242 for Components.)	
	See Note	Ref	Machines with Load Sensing and without Skyglazier (Note: Refer to JLG Supplement p/n 3124287 for Components.)	
	See Note	Ref	Machines with Load Sensing and with Skyglazier (Note: Refer to JLG Supplement p/n 3124287 for Components.)	
101	0100011	AR	Compound, Locking	
102	0641812	8	Bolt 1/2in-13NC x 1-1/2in	
103	0642684	1	Bolt 1in-8NC x 10-1/2in	
104	0681608	8	Bolt 3/8in-16NC x 1in (Grade 8)	
105	3272605	1	Locknut 1in-8NC	
106	3311805	8	Locknut 1/2in-13NC	

FIGURE 3-1. BOOM INSTALLATION - 600S (CONTINUED)

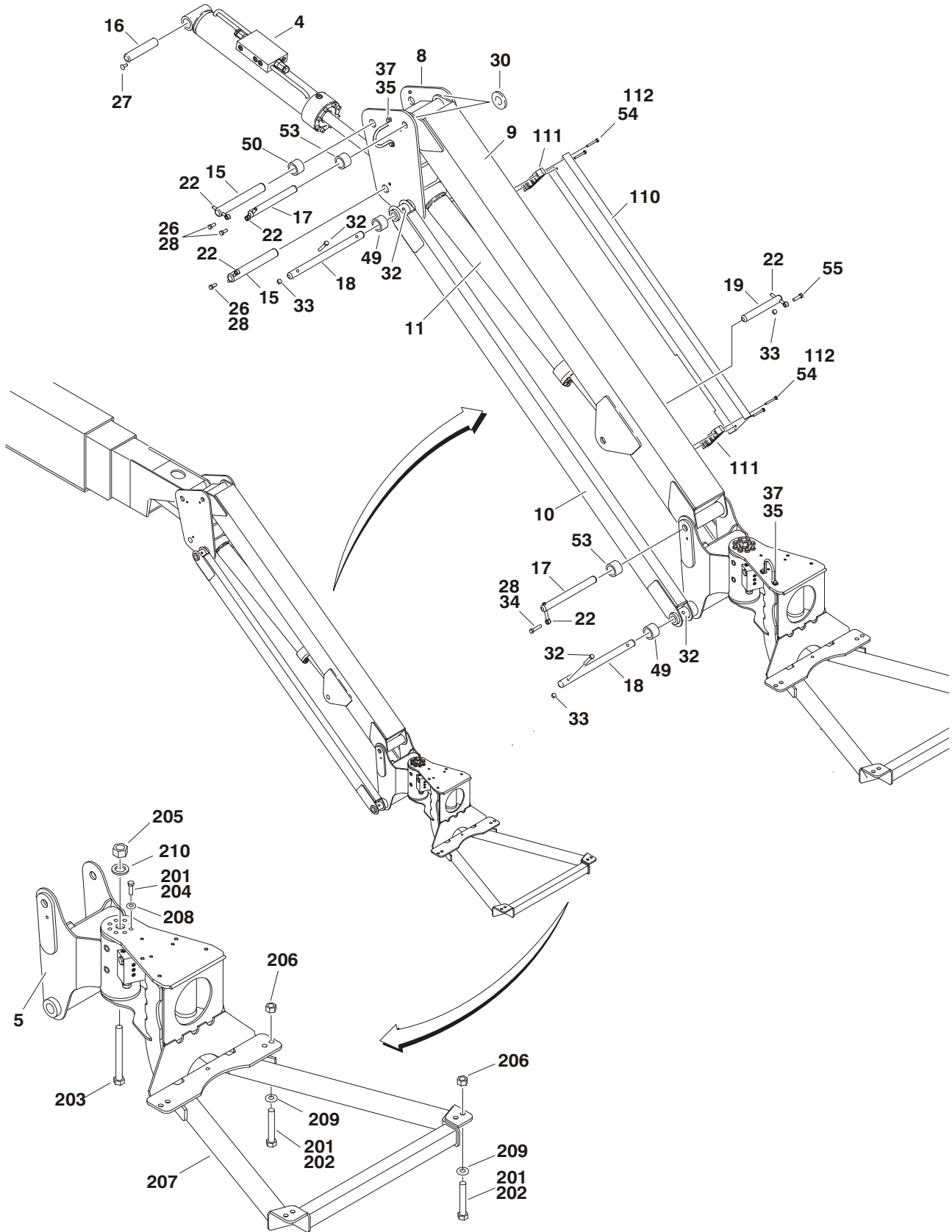
ITEM #	PART NUMBER	QTY.	DESCRIPTION	REV.
107	4846573	1	Support, Platform	
108	4891600	8	Flatwasher 3/8in Hardened	
109	4891800	8	Flatwasher 1/2in Hardened	
110	4892600	1	Flatwasher 1in Hardened	

SECTION 3 BOOM

FIGURE 3-2. BOOM INSTALLATION - 600SJ & 660SJ



SECTION 3 BOOM



SECTION 3 BOOM

FIGURE 3-2. BOOM INSTALLATION - 600SJ & 660SJ

ITEM #	PART NUMBER	QTY.	DESCRIPTION	REV.
		Ref	BOOM & CYLINDERS INSTALLATIONS	
		Ref	USA Built Machines SN 0300087000 to SN 0300137551	
	0272139	Ref	600SJ ANSI & ANSI Export Specs	7
	0272134	Ref	600SJ Australian & CE Specs	8
	0272137	Ref	660SJ ANSI & ANSI Export Specs	7
	0272130	Ref	660SJ Australian & CE Specs	8
	1001108342	Ref	USA Built Machines SN 0300137551 to SN 0300171769	C
	1001115359 & 1001115357 & 1001113429	Ref	China Built Machines SN B300000100 to Present	D/D/ D
1	See Note	1	Boom Assembly (See MAIN BOOM ASSEMBLIES for Breakdown)	
2	Use 1001112468	1	Boom Lift Cylinder Assembly Options (See CYLINDER SECTION for Breakdown): USA Built Machines SN 0300087000 to SN 0300138402 (was p/n 1683666) USA Built Machines SN 0300138402 to SN 0300171769 China Built Machines SN B300000100 to Present	
3	1001112468 1001112468	1	Master Cylinder Assembly Options (See CYLINDER SECTION for Breakdown): USA Built Machines SN 0300087000 to SN 0300096979 USA Built Machines SN 0300096979 to SN 0300171769 China Built Machines SN B300000100 to Present	
4	1683263 1684413 1684413 1683418	1	Platform Level Cylinder Assembly (See CYLINDER SECTION for Breakdown)	
5	0060066	1	Rotator Assembly (See ROTATOR ASSEMBLIES for Breakdown)	
6	Not Used			
7	1001094043	1	Link, Push (was p/n 4844944)	
8	4844815 1001113423	1	Pivot Options: USA Built Machines China Built Machines	
9	4844816 1001113386	1	Tube, Top Jib Options: USA Built Machines China Built Machines	
10	4844817 1001113407	2	Tube, Bottom Jib Options: USA Built Machines China Built Machines	
11	1683609	1	Jib Lift Cylinder Assembly (See CYLINDER SECTION for Breakdown)	
12	3422564	2	Pin (Boom Pivot & Lift Cylinder Pivot - T/T End)	
13	3422568 3423184	1	Pin (Boom Lift Cylinder - Boom End) Options: USA Built Machines SN 0300087000 to SN 0300096979 USA Built Machines SN 0300096979 to SN 0300171769	
14	3422566	2	Pin (Link - T/T End & Master Cylinder - T/T End)	
15	3422561	2	Pin (Jib Cylinder - Pivot End & Pivot - Boom End)	
16	3422583	1	Pin (Jib Level Cylinder - Boom End)	
17	3422860	2	Pin (Top Tube - Pivot End)	
18	3422861	2	Pin (Bottom Tube - Both Ends)	

FIGURE 3-2. BOOM INSTALLATION - 600SJ & 660SJ (CONTINUED)

ITEM #	PART NUMBER	QTY.	DESCRIPTION	REV.
19	3422867	1	Pin (Jib Lift Cylinder - Top Tube End)	
20	Not Used			
21	3841258	3	Keeper, Pin	
22	3841143	9	Keeper, Pin	
23	3422557	1	Pin (Link - Boom)	
24		1	Pin (Master Cylinder - Boom End) Options:	
	3422574		USA Built Machines SN 0300087000 to SN 0300096979	
	3422790		USA Built Machines SN 0300096979 to SN 0300171769	
	3422790		China Built Machines SN B300000100 to Present	
25	0642012	3	Bolt 5/8in-11NC x 1-1/2in	
26	0641608	7	Bolt 3/8in-16NC x 1in	
27	0741607	1	Screw, Countersunk 3/8in-16NC x 7/8in	
28	0100011	AR	Compound, Locking	
29	0100019	AR	Compound, Locking	
30	4740439	2	Thrustwasher	
31	Not Used			
32	0641618	4	Bolt 3/8in-16NC x 2-1/4in	
33	3311605	5	Locknut 3/8in-16NC	
34		1	Bolt Options:	
	0641614		Bolt 3/8in-16NC x 1-3/4in	
	0641610		Bolt 3/8in-16NC x 1-1/4in	
35	3841340	AR	Clamp, Loop Options:	
		1	USA Built Machines SN 0300137551 to SN 0300156720 China Built Machines SN B300000100 to SN B300000542	
		2	USA Built Machines SN 0300156720 to SN 0300171769 China Built Machines SN B300000542 to Present	
36	1671055	1	Cover, Boom	
37	0641606	AR	Bolt 3/8in-16NC x 3/4in	
38	4751400	4	Flatwasher 1/4in Regular	
39	0630458	1	U-Bolt	
40	3311402	4	Nut, Jam 1/4in-20NC	
41	3311405	2	Locknut 1/4in-20NC	
42 to 43	Not Used			
44	1320235	1	Clamp, Stauff	
45	4100033	2ft/.6m	Sleeve, Abrasion	
46	4240033	2	Tie-Strap	
47	0961950	2	Bushing, Composite	
48	0962006	3	Bushing, Composite	
49	0961947	6	Bushing, Composite	
50	0961951	2	Bushing, Composite	
51	3539563	1	Cover	
52	0641604	4	Bolt 3/8in-16NC x 1/2in	
53	0962335	4	Bushing	
54	2080044	4	Rivnut	
55	0641611	1	Bolt 3/8in-16NC x 1-3/8in	
56	4360328	1	Switch, Toggle (Not Shown - Located at Platform Console Box)	
57	3790012	1	O-Ring (Not Shown - Used with item 56)	
58	4740314	AR	Thrustwasher	
59	4740158	AR	Thrustwasher	
60	Not Used			

SECTION 3 BOOM

FIGURE 3-2. BOOM INSTALLATION - 600SJ & 660SJ (CONTINUED)

ITEM #	PART NUMBER	QTY.	DESCRIPTION	REV.
61	3520034	4	Plug, Nylon Hole (Not Shown)	
		Ref	BOOM CABLES INSTALLATION	
101 to 109	Not Used			
110	1670769	1	Cover	
111	0561237	2	Clamp, Block	
112	0641416	4	Bolt 1/4in-20NC x 2in	
		Ref	SUPPORT INSTALLATIONS (SIDE ENTRY PLATFORM)	
	0272070	Ref	USA Built Machines without Load Sensing and without Skyglazier.	C
	1001115098	Ref	China Built Machines without Load Sensing and without Skyglazier.	A
	See Note	Ref	Machines without Load Sensing and with Skyglazier (Note: For Replacement Parts, Contact JLG Customer Service and Request Manual p/n 3124242.)	
	See Note	Ref	Machines with Load Sensing and without Skyglazier (Note: For Replacement Parts, Contact JLG Customer Service and Request Manual p/n 3124287.)	
	See Note	Ref	Machines with Load Sensing and with Skyglazier (Note: For Replacement Parts, Contact JLG Customer Service and Request Manual p/n 3124287.)	
201	0100011	AR	Compound, Locking	
202	0641812	8	Bolt 1/2in-13NC x 1-1/2in	
203	0642684	1	Bolt 1in-8NC x 10-1/2in	
204	0681608	8	Bolt 3/8in-16NC x 1in (Grade 8)	
205	3272605	1	Locknut 1in-8NC	
206	3311805	8	Locknut 1/2in-13NC	
207		1	Support, Platform Options:	
	4846573		USA Built Machines without Load Sensing & without SkyGlazier	
	1001113465		China Built Machines without Load Sensing & without SkyGlazier	
	See Notes Above		All Machines with Load Sensing and/or SkyGlazier Options	
208	4891600	8	Flatwasher 3/8in Hardened	
209	4891800	8	Flatwasher 1/2in Hardened	
210	4892600	1	Flatwasher 1in Hardened	

FIGURE 3-2. BOOM INSTALLATION - 600SJ & 660SJ (CONTINUED)

ITEM #	PART NUMBER	QTY.	DESCRIPTION	REV.

SECTION 3 BOOM

FIGURE 3-3. MAIN BOOM ASSEMBLIES

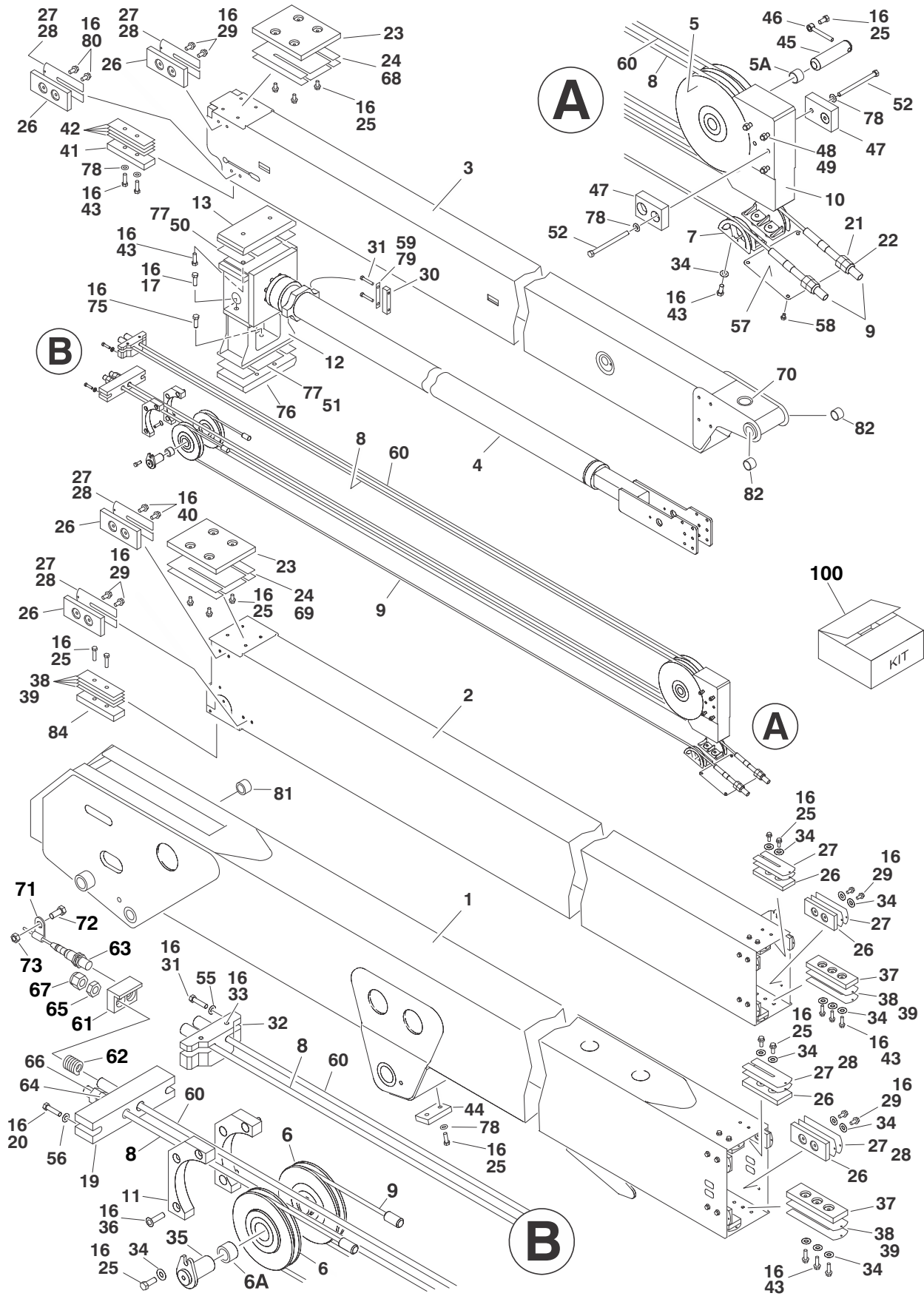


FIGURE 3-3. MAIN BOOM ASSEMBLIES

ITEM #	PART NUMBER	QTY.	DESCRIPTION	REV.
		Ref	MAIN BOOM ASSEMBLY OPTIONS:	
		Ref	ANSI & ANSI Export Specs (USA Built Machines):	
	0801381	Ref	600S - SN0300087000 to SN0300096979	4/D
	0801471	Ref	600S - SN 0300096979 to SN 0300171769	H
	0801389	Ref	600SJ - SN0300087000 to SN0300096979	4/D
	0801480	Ref	600SJ - SN 0300096979 to SN 0300171769	E
	0801388	Ref	660SJ - SN0300087000 to SN0300096979	4/D
	0801475	Ref	660SJ - SN 0300096979 to SN 0300171769	H
		Ref	ANSI & ANSI Export Specs (China Built Machines):	
	0801471	Ref	600S - SN B300000100 to SN B300000215	H
	1001127285	Ref	600S - SN B300000215 to Present	C
	0801475	Ref	660SJ - SN 0300096979 to SN B300000215	H
	1001126509	Ref	660SJ - SN B300000215 to Present	C
		Ref	Australian & CE Specs (USA Built Machines):	
	0801383	Ref	600S - SN0300087000 to SN0300096979	4/D
	0801472	Ref	600S - SN 0300096979 to SN 0300171769	H
	0801387	Ref	600SJ - SN0300087000 to SN0300096979	4/D
	0801474	Ref	600SJ - SN 0300096979 to SN 0300171769	G
	0801386	Ref	660SJ - SN0300087000 to SN0300096979	4/D
	0801473	Ref	660SJ - SN 0300096979 to SN 0300171769	G
		Ref	Australian & CE Specs (China Built Machines):	
	0801472	Ref	600S - SN B300000100 to SN B3000000215	H
	1001126597	Ref	600S - SN B300000215 to Present	C
	0801473	Ref	660SJ - SN 0300096979 to SN B300000215	G
	1001126596	Ref	660SJ - SN B300000215 to Present	C
1		1	Base Weldment Options: USA Built Machines: 600S & 660SJ - SN 0300087000 to SN 0300096979 600S & 660SJ - SN 0300096979 to SN 0300171769 600SJ - SN 0300087000 to SN 0300096979 600SJ - SN 0300096979 to SN 0300171769 China Built Machines: SN B300000100 to SN B300000215 SN B300000215 to SN B30000240 SN B300000240 to Present	
2		1	Mid Weldment Options: USA Built Machines: 600S & 660SJ - SN 0300087000 to SN 0300100776 (was p/n 0801372) 600S & 660SJ - SN 0300100776 to SN 0300171769 600SJ - SN 0300087000 to SN 0300100776 (was p/n 0801373) 600SJ SN 0300100776 to SN 0300171769 China Built Machines: SN B300000100 to SN B300000215 SN B300000215 to SN B30000240 SN B300000240 to Present	
	0801011			
	0801396			
	0801036			
	0801467			
	0801396			
	1001125631			
	0801396			
	Use 0801524			
	0801524			
	Use 0801525			
	0801525			
	0801524			
	1001126126			
	0801524			

SECTION 3 BOOM

FIGURE 3-3. MAIN BOOM ASSEMBLIES (CONTINUED)

ITEM #	PART NUMBER	QTY.	DESCRIPTION	REV.
3		1	Fly Weldment Options: USA Built Machines: 0801065 600S - SN 0300087000 to SN 0300096979 0801498 600S - SN 0300096979 to SN 0300171769 0801038 600SJ - SN 0300087000 to SN 0300096979 0801615 600SJ - SN 0300096979 to SN 0300171769 0801014 660SJ - SN 0300087000 to SN 0300096979 0801504 660SJ - SN 0300096979 to SN 0300171769 China Built Machines: 0801498 600S - SN B300000100 to SN B300000215 1001126145 600S - SN B300000215 to SN B300000240 0801498 600S - SN B300000240 to Present 0801504 660SJ - SN B300000100 to SN B300000215 1001126154 660SJ - SN B300000215 to SN B300000240 0801504 660SJ - SN B300000240 to Present	
4		1	Telescope Cylinder Assembly Options (See CYLINDER SECTION for Breakdown): 1683618 600S & 660SJ 1683620 600SJ	
5	3580241	1	Sheave Assembly (Extend)	2/B
5A	0961951	2	Bushing, Garmax	
6	3580243	2	Sheave Assembly (Retract)	1/A
6A	0961951	2	Bushing, Garmax (1 Per Sheave)	
7	1220078	2	Block, Sheave	
8		1	Cable (Extend) Options: 3890005 600S & 660SJ (ANSI & ANSI Export Specs) 3890010 600S & 660SJ (Australian & CE Specs) 3890007 600SJ (ANSI & ANSI Export Specs) 3890011 600SJ (Australian & CE Specs)	
9		2	Cable (Retract) Options: 3890006 600S & 660SJ 3890008 600SJ	
10	3580248	1	Guard, Sheave (Extend)	
11	3580249	2	Guard, Sheave (Retract)	
12	4846319	1	Support, Wear Pad	
13	3340844	1	Pad, Wear	
14 to 15	Not Used			
16	0100011	AR	Compound, Locking	
17	0681610	4	Bolt 3/8in-16NC x 1-1/4in (Grade 8)	
18	Not Used			
19		1	Block, Cable Options: 0561184 ANSI & ANSI Export Specs 0561245 Australian & CE Specs	
20	0641824	2	Bolt 1/2in-13NC x 3in	
21	3312201	2	Nut 3/4in-10NC	
22	3300241	2	Locknut, Special 3/4in-10NC	
23	3340757	2	Pad, Wear	
24	4070896	4	Shim (.06) (Without Slide-In Slots)	
25	0811607	AR	Bolt 3/8in-16NC x 7/8in (was p/n 0641607)	

SECTION 3 BOOM

FIGURE 3-3. MAIN BOOM ASSEMBLIES (CONTINUED)

ITEM #	PART NUMBER	QTY.	DESCRIPTION	REV.
26	3340881	20	Pad, Wear Options: USA Built Machines SN 0300087000 to SN 0300168793 & China Built Machines SN B300000100 to SN B300000742	
	1001148652		USA Built Machines SN 0300168793 to SN 0300171769 & China Built Machines SN B300000742 to Present	
27	4070897	28	Shim (.05)	
28	4070898	24	Shim (.12)	
29	0811606	24	Bolt 3/8in-16NC x 3/4in (was p/n 0641606)	
30	0561185	2	Block	
31	0641616	6	Bolt 3/8in-16NC x 2in	
32	0561183	1	Block, Cable	
33	3951608	2	Setscrew 3/8in-16NC x 1in	
34	4711600	AR	Flatwasher 3/8in Thin	
35	3422424	2	Pin (Retract Sheave)	
36	0741612	6	Screw, Countersunk 3/8in-16NC x 1-1/2in	
37	3340871	4	Pad, Wear	
38	4070863	AR	Shim (.12)	
39	4070864	AR	Shim (.05)	
40	0641613	AR	Bolt 3/8in-16NC x 1-5/8in	
41	3340758	2	Pad, Wear Options: USA Built Machines SN 0300087000 to SN 0300168793 & China Built Machines SN B300000100 to SN B300000742	
	1001148650		USA Built Machines SN 0300168793 to SN 0300171769 & China Built Machines SN B300000742 to Present	
42	4070895	8	Shim (.06)	
43	0811608	22	Bolt 3/8in-16NC x 1in (was p/n 0641608)	
44	0561076	1	Block	
45	3422417	2	Pin (Extend Sheave)	
46	3841143	1	Keeper, Pin	
47	3340755	2	Pad, Wear Options: USA Built Machines SN 0300087000 to SN 0300168793 & China Built Machines SN B300000100 to SN B300000742	
	1001148651		USA Built Machines SN 0300168793 to SN 0300171769 & China Built Machines SN B300000742 to Present	
48	0641634	4	Bolt 3/8in-16NC x 4-1/4in	
49	3311605	4	Locknut 3/8in-16NC	
50	4070976	1	Shim (.12)	
51	4071004	1	Shim (.25)	
52	0641638	2	Bolt 3/8in-16NC x 4-3/4in	
53 to 54	Not Used			
55	4891600	6	Flatwasher 3/8in Hardened	
56	4891800	2	Flatwasher 1/2in Hardened	
57	3539622	1	Plate, Cover	
58	0641403	4	Bolt 1/4in-20NC x 3/8in	
59	4070929	AR	Shim	
60	3890005	1	Cable (Extend) Options: 600S & 660SJ (ANSI & ANSI Export Specs)	
	3890009		600S & 660SJ (Australian & CE Specs)	

SECTION 3 BOOM

FIGURE 3-3. MAIN BOOM ASSEMBLIES (CONTINUED)

ITEM #	PART NUMBER	QTY.	DESCRIPTION	REV.
60 (cont'd)	3890007		600SJ (ANSI & ANSI Export Specs)	
	3890012		600SJ (Australian & CE Specs)	
61	0561508	1	Plate, Spring Mounting (Australian & CE Specs Only)	
62	4160149	1	Spring (Australian & CE Specs Only)	
63	4360506	1	Switch, Proximity (Australian & CE Specs Only)	
64		1	Nut Options:	
	3300241		Locknut, Special 3/4in-10NC (ANSI & ANSI Export Specs)	
	3272401		Nut, Jam 7/8in-9NC (Australian & CE Specs) (was p/n 3300399)	
65		1	Nut Options	
	3300241		Locknut, Special 3/4in-10NC (ANSI & ANSI Export Specs)	
	3272001		Nut, Jam 5/8in-11NC (Australian & CE Specs) (was p/n 3300400)	
66		1	Locknut Options:	
	3312201		Nut 3/4in-10NC (ANSI & ANSI Export Specs)	
	3300242		Locknut 7/8in-9NC (Australian & CE Specs)	
67		1	Locknut Options:	
	3312201		Nut 3/4in-10NC (ANSI & ANSI Export Specs)	
	3300240		Locknut 5/8in-11NC (Australian & CE Specs)	
68	4070939	AR	Shim 16Ga (With Slide-In Slots)	
69	4070940	AR	Shim 16Ga (With Slide-In Slots)	
70	4060805	6in/16cm	Flex-Trim	
71	1320244	1	Clamp (Australian & CE Specs Only)	
72	0641406	1	Bolt 1/4in-20NC x 3/4in (Australian & CE Specs Only)	
73	3311405	1	Locknut 1/4in-20NC (Australian & CE Specs Only) (was p/n 3311401)	
74	1670836	8	Cover, Boom (Not Shown) (USA Built Machines SN 0300087000 to SN 0300134293)	
75	0681608	4	Bolt 3/8in-16NC x 1in	
76	3340900	1	Pad, Wear	
77	4071005	AR	Shim	
78	4751600	12	Flatwasher 3/8in Regular	
79	4071007	AR	Shim	
80	0811614	4	Bolt 3/8in-16NC x 1-3/4in (was p/n 0641614)	
81	0961950	2	Bushing, Garmax	
82	0961951	2	Bushing, Garmax (600SJ & 660SJ Only)	
83	3020039	AR	Lubricant (Not Shown)	
84		1	Pad, Wear Options;	
	3340871		USA Built Machines SN 0300087000 to SN 0300168793 & China Built Machines SN B300000100 to SN B300000742	
	1001148653		USA Built Machines SN 0300168793 to SN 0300171769 & China Built Machines SN B300000742 to Present	
85 to 99	Not Used			
100	2901986	1	Kit, Wear Pad Support (Includes Items 12, 51, 75, 76 & 77)	

FIGURE 3-3. MAIN BOOM ASSEMBLIES (CONTINUED)

ITEM #	PART NUMBER	QTY.	DESCRIPTION	REV.

SECTION 3 BOOM

FIGURE 3-4. ROTATOR ASSEMBLIES

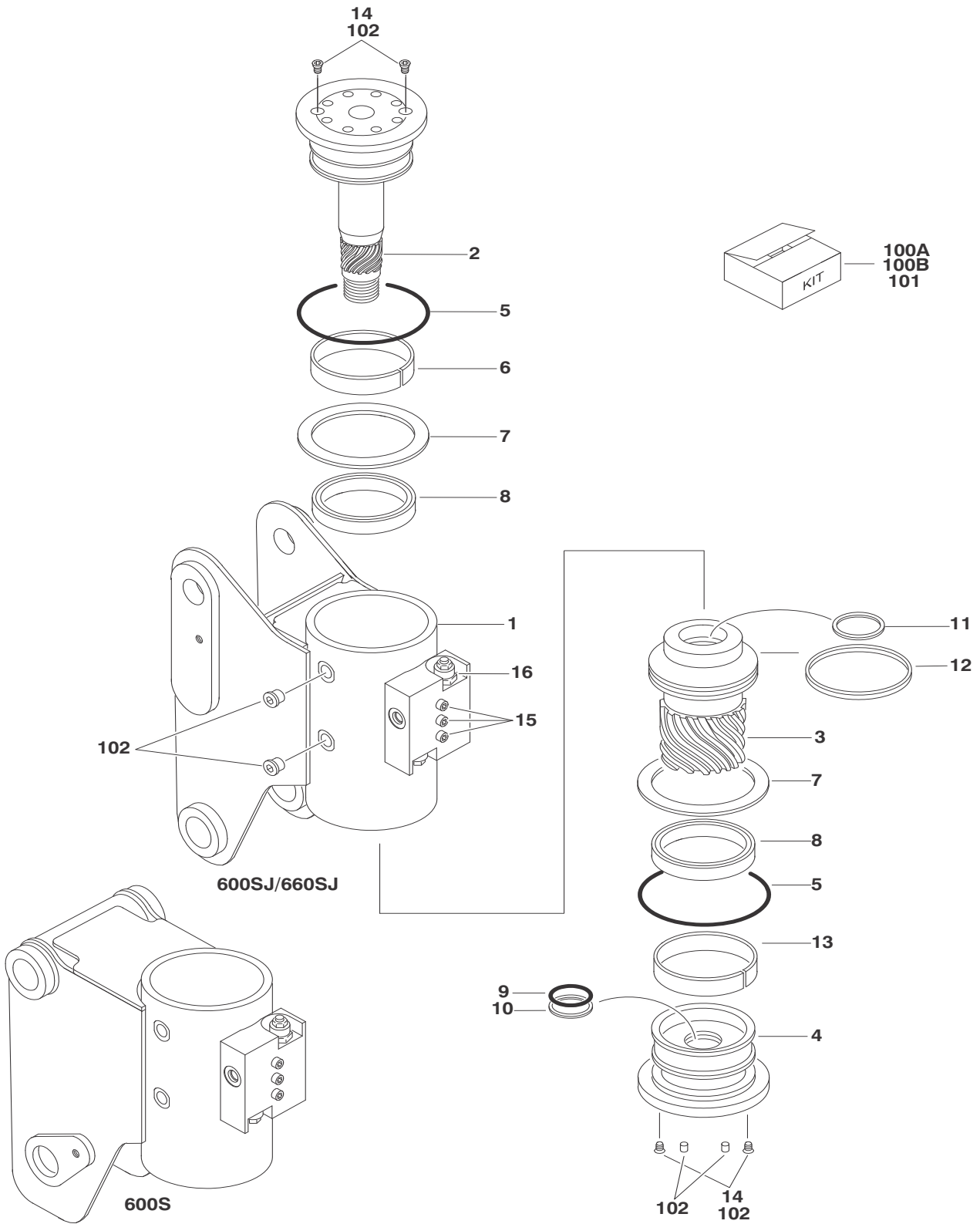


FIGURE 3-4. ROTATOR ASSEMBLIES

ITEM #	PART NUMBER	QTY.	DESCRIPTION	REV.
		Ref	ROTATOR ASSEMBLIES	
	0060067	Ref	600S	A
	0060066	Ref	600SJ & 660SJ	C
1	See Note	1	Housing/Ring Gear Assembly (Note: Not Available - Purchase Complete Rotator Assembly.)	
2	7017162	1	Shaft Weldment	
	7017195	2	Bushing, Shaft	
3	7017163	1	Piston/Sleeve Assembly	
4	7017164	1	Cap, End	
5	See Note	2	O-Ring (Note: Use Item 100A or 100B)	
6	Use 7017159	2	Bearing, Shaft	
7	Use 7017159	1	Thrustwasher	
8	See Note	2	Packing, Bearing (Note: Use Item 100A or 100B)	
9	See Note	2	Seal, Cap (Note: Use Item 100A or 100B)	
10	See Note	1	Ring, Back-Up Cap (Note: Use Item 100A or 100B)	
11	See Note	1	Seal, Rod (Note: Use Item 100A or 100B)	
12	See Note	1	Seal, Piston (Note: Use Item 100A or 100B)	
13	Use 7017159	1	Bearing, Cap	
14	70001697	4	Screw, Countersunk 1/4in-20NC x 3/8in (Grade 8)	
15	See Note	3	Cap screw 1/4in-20NC (Grade 8) (Note: Not Available for Purchase.)	
16	7017183	1	Valve Assembly	
	7017193	1	Cartridge, Valve	
	See Note	2	Seal Kit - 7017193 Valve (Note: Not Available for Purchase.)	
	See Note	2	Cartridge, Valve (Not Shown - Located on Side of Block) (Note: Not Available for Purchase.)	
	See Note	1	Seal Kit - Valve Located on Side of Block (Note: Not Available for Purchase.)	
		Ref	KIT OPTIONS	
100		1	Seal Kit Options (Includes Items 5, 8 - 12):	
100A	7017158		Seal Kit - Standard	
100B	70000342	1	Seal Kit - Low Temperature	
101	7017159		Bearing Kit (Includes Items 6, 7 & 13)	
102	See Note	1	Hardware Kit (Includes Items 14, 2 Setscrews & 2 Plugs) (Note: Not Available for Purchase.)	

SECTION 3 BOOM

FIGURE 3-5. POWER TRACK INSTALLATIONS

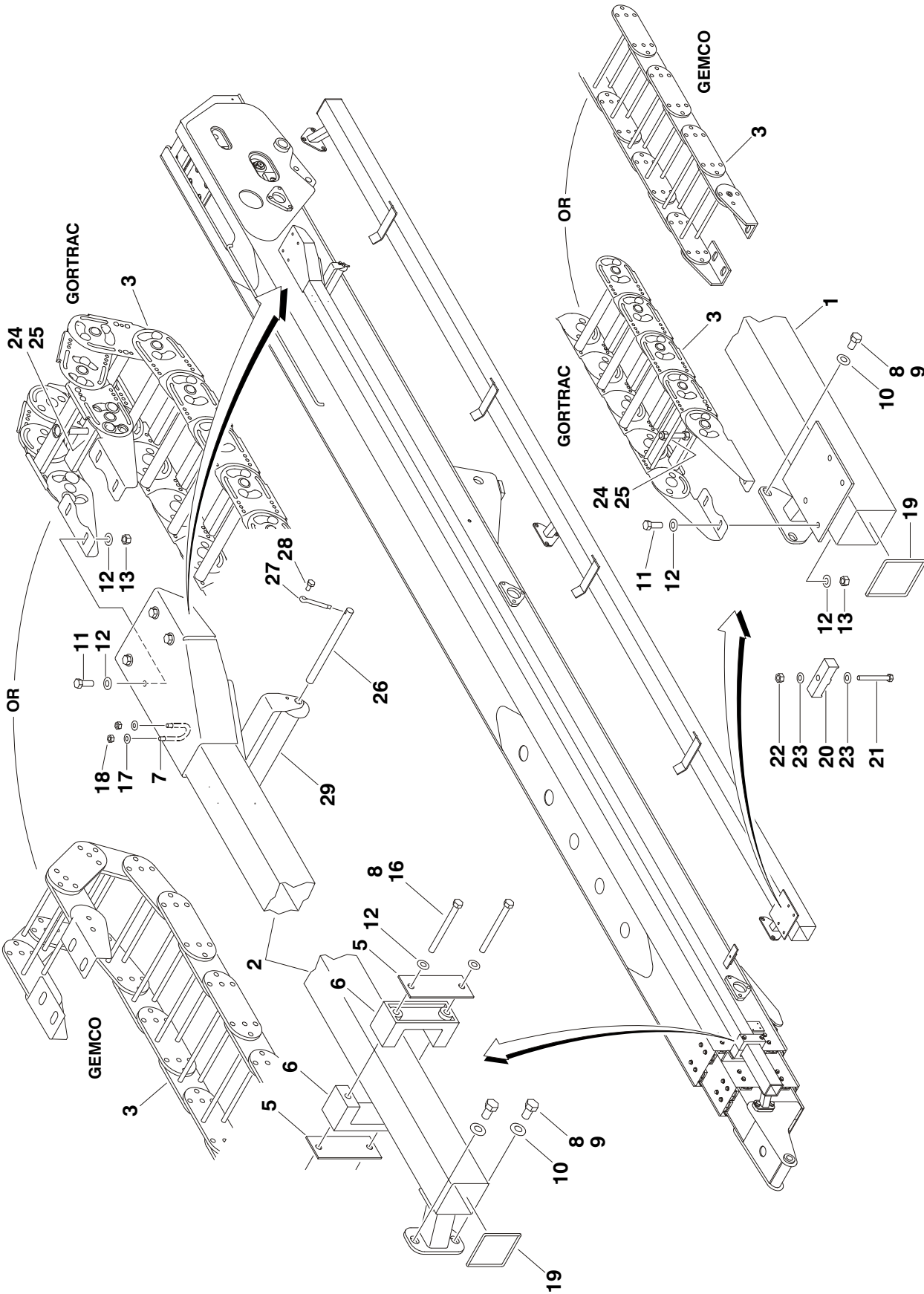


FIGURE 3-5. POWER TRACK INSTALLATIONS

ITEM #	PART NUMBER	QTY.	DESCRIPTION	REV.
		Ref	POWER TRACK INSTALLATIONS	
	0270804	Ref	600S/660SJ USA Built Machines	5
	1001115236	Ref	600S/660SJ China Built Machines	A
	0271372	Ref	600SJ	4
1		1	Support, Power Track Options: 600S/660SJ USA Built Machines 600S/660SJ China Built Machines 600SJ	
2		1	Tube, Push Options: 600S/660SJ USA Built Machines 600S/660SJ China Built Machines 600SJ	
3		1	Power Track Assembly Options: Note: Various Power Tracks use on this model. Identify brand before ordering parts. 600S/660SJ Power Track Assembly Gemco Brand Power Track (was p/n 1180345) Power Track - 8in Section (Includes 18 Link Pin, 4 Radius Links, 2 Carrier Links, 1 Rod Carrier, 1 Spring Loaded Rod, 1 Carrier Weldment & 12 Bearing Plates) 7006138 1 Power Track - Pin Kit (Includes 1 pin, 1 Retaining Ring & 4 Washers) 7006143 1 Feet, Mounting (Includes 1 Left Hand, 1 Right Hand & 2 Spacers) 1001099832 Gortrac Brand Power Track 70002005 AR Power Track - 1 Section Repair Kit 70002006 1 Power Track - Bracket Kit Use 1001099839 600SJ Power Track Assembly (was p/n 1180359) Gemco Replacement Parts: 7016530 AR Power Track - 8in Section (Includes 18 Link Pin, 4 Radius Links, 2 Carrier Links, 1 Rod Carrier, 1 Spring Loaded Rod, 1 Carrier Weldment & 12 Bearing Plates) 7006138 1 Power Track - Pin Kit (Includes 1 pin, 1 Retaining Ring & 4 Washers) 1001099839 Gortrac Replacement Parts: 70002007 AR Power Track - 1 Section Repair Kit 70002006 1 Power Track - Bracket Kit	
4	Not Used			
5	3538758	AR	Plate	
6	3340764	2	Pad, Wear	
7	0630458	1	U-Bolt	
8	0100011	AR	Compound, Locking	
9	0641807	11	Bolt 1/2in-13NC x 7/8in	
10	4711800	11	Flatwasher 1/2in Thin	
11	0641608	8	Bolt 3/8in-16NC x 1in	
12	4711600	18	Flatwasher 3/8in Thin	
13	3311605	8	Locknut 3/8in-16NC	
14 to 15	Not Used			

SECTION 3 BOOM

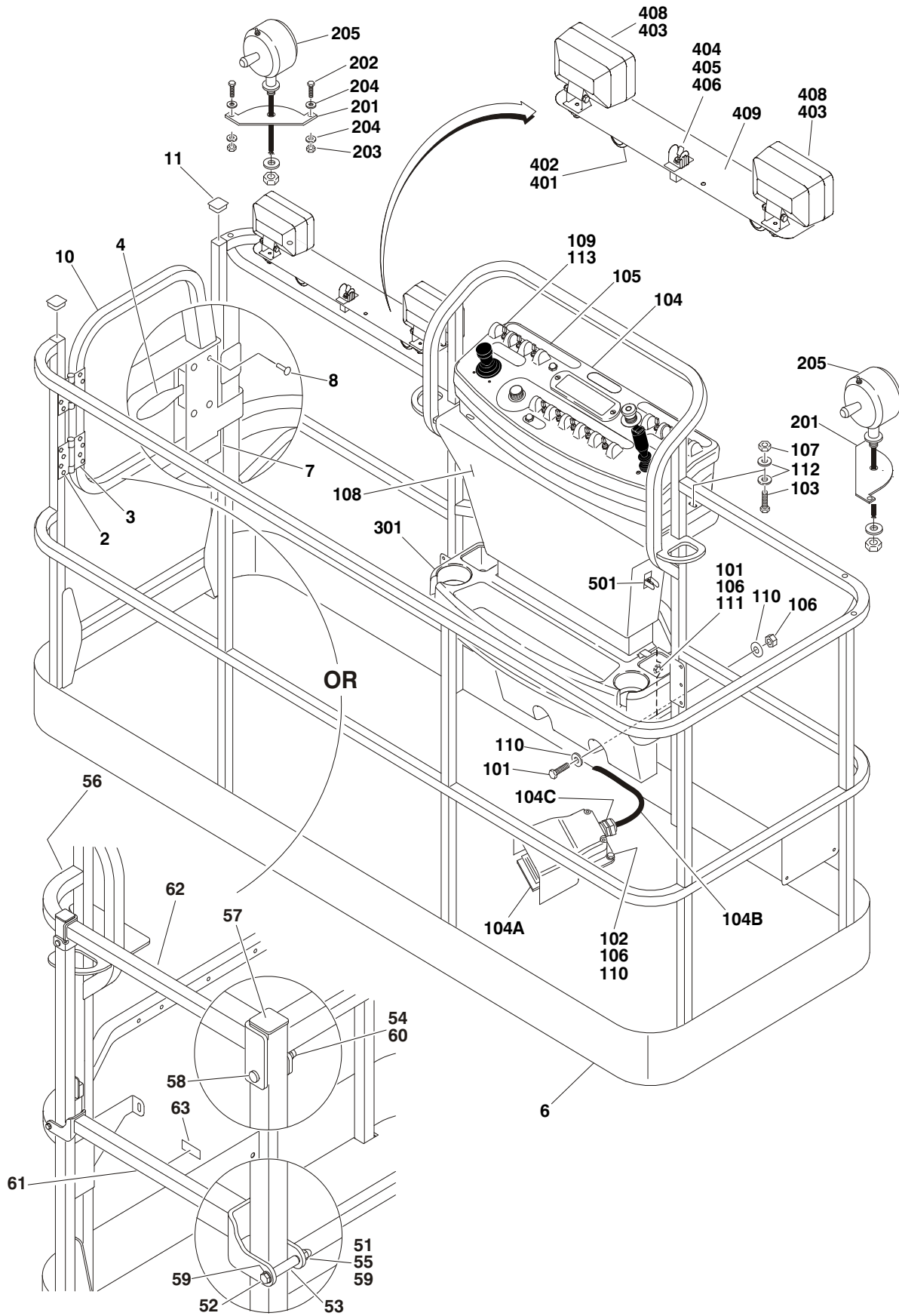
FIGURE 3-5. POWER TRACK INSTALLATIONS (CONTINUED)

ITEM #	PART NUMBER	QTY.	DESCRIPTION	REV.
16	0641644	2	Bolt 3/8in-16NC Options:	
	0641648		Bolt 3/8in-16NC x 5-1/2in	
			Bolt 3/8in-16NC x 6in	
17	4711400	2	Flatwasher 1/4in Thin	
18	3311405	2	Locknut 1/4in-20NC	
19	4060803	AR	Shield, Trim	
20	1320247	1	Clamp, Nylon	
21	0641522	1	Bolt 5/16in-18NC x 2-3/4in	
22	3311505	1	Locknut 5/16in-18NC	
23	4711500	2	Flatwasher 5/16in Thin	
24	4070994	2	Shim	
25	4070995	2	Shim	
	0100081	AR	Adhesive	
26	3841013	1	Roller, Rod	
27	3450806	1	Pin, Cotter	
28	0641404	1	Bolt 1/4in-20NC x 1/2in	
29	3860050	1	Roller	

SECTION 4 PLATFORM

SECTION 4 PLATFORM

FIGURE 4-1. PLATFORM COMPONENTS INSTALLATION



SECTION 4 PLATFORM

FIGURE 4-1. PLATFORM COMPONENTS INSTALLATION

ITEM #	PART NUMBER	QTY.	DESCRIPTION	REV.
		Ref	PLATFORM ASSEMBLY WITH GATE:	
		Ref	USA Built Machines:	
	Use 1001144027	Ref	Platform 30in x 4ft (76cm x 1.22m) (SN 0300087000 to SN 0300168215) (was p/n 3510830)	B/M
	1001144027	Ref	Platform 30in x 4ft (76cm x 1.22m) (SN 0300168215 to SN 0300171769)	B
	Use 1001144026	Ref	Platform 30in X 5ft (76cm x 1.52m) with No Mesh (SN 0300087000 to SN 0300168215) (was p/n 3510831)	B/L
	1001144026	Ref	Platform 30in X 5ft (76cm x 1.52m) with No Mesh (SN 0300168215 to SN 0300171769)	B
	Use 1001144024	Ref	Platform 36in X 6ft (91.5cm x 1.83m) with No Mesh (SN 0300087000 to SN 0300168215) (was p/n 3510833)	B/I
	1001144024	Ref	Platform 36in X 6ft (91.5cm x 1.83m) with No Mesh (SN 0300168215 to SN 0300171769)	B
	Use 1001144023	Ref	Platform 36in X 8ft (91.5cm x 2.44m) with No Mesh (SN 0300087000 to SN 0300168215) (was p/n 3510822)	B/J
	1001144023	Ref	Platform 36in X 8ft (91.5cm x 2.44m) with No Mesh (SN 0300168215 to SN 0300171769)	B
		Ref	China Built Machines:	
	Use 1001146180	Ref	36in x 72in (0.9m x1.83m) with No Mesh (SN B300000100 to SN B300000668) (was p/n 1001114335)	B/D
	1001146180	Ref	36in x 72in (0.9m x1.83m) with No Mesh (SN B300000668 to Present)	B
	Use 1001146179	Ref	36in x 96in (0.9m x 2.44m) with No Mesh (SN B300000100 to SN B300000668) (was p/n 1001114391)	B/D
	1001146179	Ref	36in x 96in (0.9m x 2.44m) with No Mesh (SN B300000668 to Present)	B
		Ref	Note: Original Equipment platform may have been replaced with Service Replacement platform. Identify platform before ordering parts.	
		Ref	Note: For Platforms with Mesh to the Top Rail, customer must order Platforms and Mesh separately. See SPECIAL OPTIONS SECTION for Mesh Installations.	
		Ref	Note: Replacement Decals must be ordered separately - See DECALS SECTION.	
		Ref	Note: When replacing 8ft/2.44m platform with Soft Touch option, new Soft Touch Rail p/n 4846673 must be purchased to accommodate limit switch locations.	
		Ref	Note: When replacing platform on machines with SkyCutter option, new bracket p/n 1001145405 must be purchased to accommodate SkyCutter components.	
1	Not Used			
2	2080040	16	Fastener, Huck	
3	2600281	2	Hinge, Self-Closing	
4	2940074	1	Latch	
5	Not Used			
6	See Note	1	Platform Weldment (Note: Purchase Complete Platform Assembly.)	
7	3520072	1	Cap-Plug Options: USA Built Machines China Built Machines	

SECTION 4 PLATFORM

FIGURE 4-1. PLATFORM COMPONENTS INSTALLATION (CONTINUED)

ITEM #	PART NUMBER	QTY.	DESCRIPTION	REV.
7 (cont'd)	3520072		SN B300000100 to SN B300000668)	
	1001152037		SN B300000668 to Present	
8	3820020	4	Rivet	
9	Not Used			
10		1	Gate Weldment Options:	
	4846452		USA Built Machines	
			Gate for Platform p/ns 3510822, 3510830, 3510831, 3510833	
	1001144629		Gate for Platform p/ns 1001144023, 1001144024, 1001144026, 1001144027	
	1001114341		China Built Machines	
			Gate for Platform p/ns 1001114335, 1001114391	
	1001144629		Gate for Platform p/ns 1001146180, 1001146179	
11		1	Cap-Plug Options:	
	3520198		USA Built Machines	
			China Built Machines	
	3520198		SN B300000100 to SN B300000668)	
	1001145781		SN B300000668 to Present	
		Ref	PLATFORM ASSEMBLY WITH DROP-BAR	
		Ref	USA Built Machines:	
	Use 1001144018	Ref	Platform 30in X 4ft (76cm x 1.22m) with No Mesh (SN 0300087000 to SN 0300168215) (was p/n 1001138431)	B/B
	1001144018	Ref	Platform 30in X 4ft (76cm x 1.22m) with No Mesh (SN 0300168215 to SN 0300171769)	B
	Use 1001144019	Ref	Platform 30in X 5ft (76cm x 1.52m) with No Mesh (SN 0300087000 to SN 0300168215) (was p/n 1001138432)	B/B
	1001144019	Ref	Platform 30in X 5ft (76cm x 1.52m) with No Mesh (SN 0300168215 to SN 0300171769)	B
	Use 1001144021	Ref	Platform 36in X 6ft (91.5cm x 1.83m) with No Mesh (SN 0300087000 to SN 0300168215) (was p/n 1001138434)	B/B
	1001144021	Ref	Platform 36in X 6ft (91.5cm x 1.83m) with No Mesh (SN 0300168215 to SN 0300171769)	B
	1001128598	Ref	Platform 36in x 6ft (0.9m x1.83m) with Mesh to Mid Rail & Dropbar (Not Shown)	B
	1001128479	Ref	Platform 36in x 6ft (0.9m x1.83m) with Mesh to Mid Rail Dropbar & Platform Bumpers (Not Shown)	B
	Use 1001144022	Ref	Platform 36in X 8ft (91.5cm x 2.44m) with No Mesh (SN 0300087000 to SN 0300168215) (was p/n 1001138430)	B/B
	1001144022	Ref	Platform 36in X 8ft (91.5cm x 2.44m) with No Mesh (SN 0300168215 to SN 0300171769)	B
		Ref	China Built Machines:	
	Use 1001146182	Ref	Platform 36in X 6ft (91.5cm x 1.83m) with No Mesh (SN B300000100 to SN B300000668) (was p/n 1001139373)	B/B
	1001146182	Ref	Platform 36in X 6ft (91.5cm x 1.83m) with No Mesh (SN B300000668 to Present)	B
	Use 1001146181	Ref	Platform 36in X 8ft (91.5cm x 2.44m) with No Mesh (SN B300000100 to SN B300000668) (was p/n 1001139374)	B/B
	1001146181	Ref	Platform 36in X 8ft (91.5cm x 2.44m) with No Mesh (SN B300000668 to Present)	A

SECTION 4 PLATFORM

FIGURE 4-1. PLATFORM COMPONENTS INSTALLATION (CONTINUED)

ITEM #	PART NUMBER	QTY.	DESCRIPTION	REV.
		Ref	Note: Original Equipment platform may have been replaced with Service Replacement platform. Identify platform before ordering parts.	
		Ref	Note: Replacement Decals Must Be Ordered Separately - See DECALS SECTION.	
		Ref	Note: When replacing 8ft/2.44m platform with Soft Touch option, new Soft Touch Rail p/n 4846673 must be purchased to accommodate limit switch locations.	
		Ref	Note: When replacing platform on machines with SkyCutter option, new bracket p/n 1001145405 must be purchased to accommodate SkyCutter components.	
51	0100011	AR	Compound, Locking	
52	0641418	2	Bolt 1/4in-20NC x 2-1/4in	
53	0961845	2	Bushing	
54	3290606	2	Nut M6	
55	3300151	2	Nut, Acorn	
56	See Note	1	Platform Weldment (Note: Purchase Platform Assembly.)	
57		2	Cap-Plug Options:	
	3520198		USA Built Machines	
			China Built Machines	
	3520198		SN B300000100 to SN B300000668)	
	1001145781		SN B300000668 to Present	
58	4010618	2	Screw M6 x 50mm	
59	4711400	4	Flatwasher 1/4in Thin	
60	4811700	2	Flatwasher M6	
61		1	Bar, Drop Options:	
	1001138494		Drop Bar (Machines without Shipyard Package)	
	1001111346	1	Drop Bar (Machines with Shipyard Package)r (Not Shown)	
62	1001138514	1	Rail (Top)	
63	1001140429	1	Decal - Drop-Bar	
		Ref	CONSOLE BOX INSTALLATIONS	
		Ref	All Specs Except CE UK Spec & CE German Spec	
	0271940	Ref	USA Built Machines SN 0300087000 to SN 0300138729	B
	1001108791	Ref	USA Built Machines without UGM SN 0300138729 to SN 0300171769	A
	Use 1001145896	Ref	USA Built Machines with UGM SN 0300138729 to SN 0300171769 (was p/n 100114447)	A/D
	Use 1001145896	Ref	China Built Machines SN B300000100 to Present (was p/n 100114447)	C
		Ref	CE UK Spec & CE German Spec Only	
	0273058	Ref	USA Built Machines SN 0300087000 to SN 0300138729	B
	1001108792	Ref	USA Built Machines without UGM SN 0300138729 to SN 0300171769	A
	Use 1001145896	Ref	USA Built Machines with UGM SN 0300138729 to SN 0300171769 (was p/n 100114447)	A/D
101	0641406	4	Bolt 1/4in-20NC x 3/4in	
102	0641408	3	Bolt 1/4in-20NC x 1in	
103	0641610	4	Bolt 3/8in-16NC x 1-1/4in	

SECTION 4 PLATFORM

FIGURE 4-1. PLATFORM COMPONENTS INSTALLATION (CONTINUED)

ITEM #	PART NUMBER	QTY.	DESCRIPTION	REV.
104	0861511	1	Platform Console Box Assembly Options: Platform Console Box Assembly (SN 0300087000 to SN 0300138729) (See PLATFORM CONSOLE ASSEMBLY for Breakdown) Without UGM Platform Console Box Assembly (USA Built Machines SN 0300138729 to SN 0300171769 & China Built Machines SN B300000100 to Present) (See PLATFORM CONSOLE ASSEMBLY for Breakdown) Without UGM	
	1001108790 Use 1001145895 Use 1001145895		With UGM (USA Built Machines) (was p/n 1001114449) With UGM (China Built Machines) (was p/n 1001114449)	
104A	0272970	1	Footswitch Assembly Options (Includes Footswitch & Items 104B & 104C): USA Built Machines SN 0300087000 to SN 0300167683 & China Built Machines SN B300000100 to Present	B
	1001117174		USA Built Machines SN 0300167683 to SN 0300171769	B
		Ref	Note: Assembly p/n 0272970 may use either p/n 4360031 or p/n 1001117320. If Original Equipment on machines SN 0300087000 to SN 0300143938 was replaced as an "assembly," p/n 1001117320 may have been used as part of the Service Replacement. Identify component before ordering parts.	
	4360031	1	Footswitch Options: Footswitch (USA Built Machines SN 0300087000 to SN 0300143938 & China Built Machines Prior to SN B300000232) (Original Equipment)	
	7000625 1001117320	2	Block for 4360031 Footswitch Footswitch (USA Built Machines SN 0300143938 to SN 0300167683 & China Built Machines SN B300000232 to Present) (Service Replacement)	
	70003483	1	Block for 1001117320 Footswitch	
	1001117172	1	Footswitch (USA Built Machines SN 0300167683 to Present)	
	70002902	1	Block, Contact for 1001117172 Footswitch	
	70002903	1	Gasket for 1001117172 Footswitch	
	70002905	1	Cover for 1001117172 Footswitch	
	70002904	1	Bolt Replacement Kit for 1001117172 Footswitch	
104B	1060918	7ft/2.14m	Cable, Electrical - 18/3	
104C	4460071	1	Connector, Strain Relief	
105	1702676	1	Decal - Horn	
106	3311405	7	Locknut 1/4in-20NC	
107	3311605	4	Locknut 3/8in-16NC	
108	3380434	1	Panel, Decal Mount Options: All Specs Except CE UK Spec & CE German Spec (Without UGM)	
	3380476		CE UK Spec & CE German Spec Only (Without UGM)	
	3380434		All Specs (With UGM)	

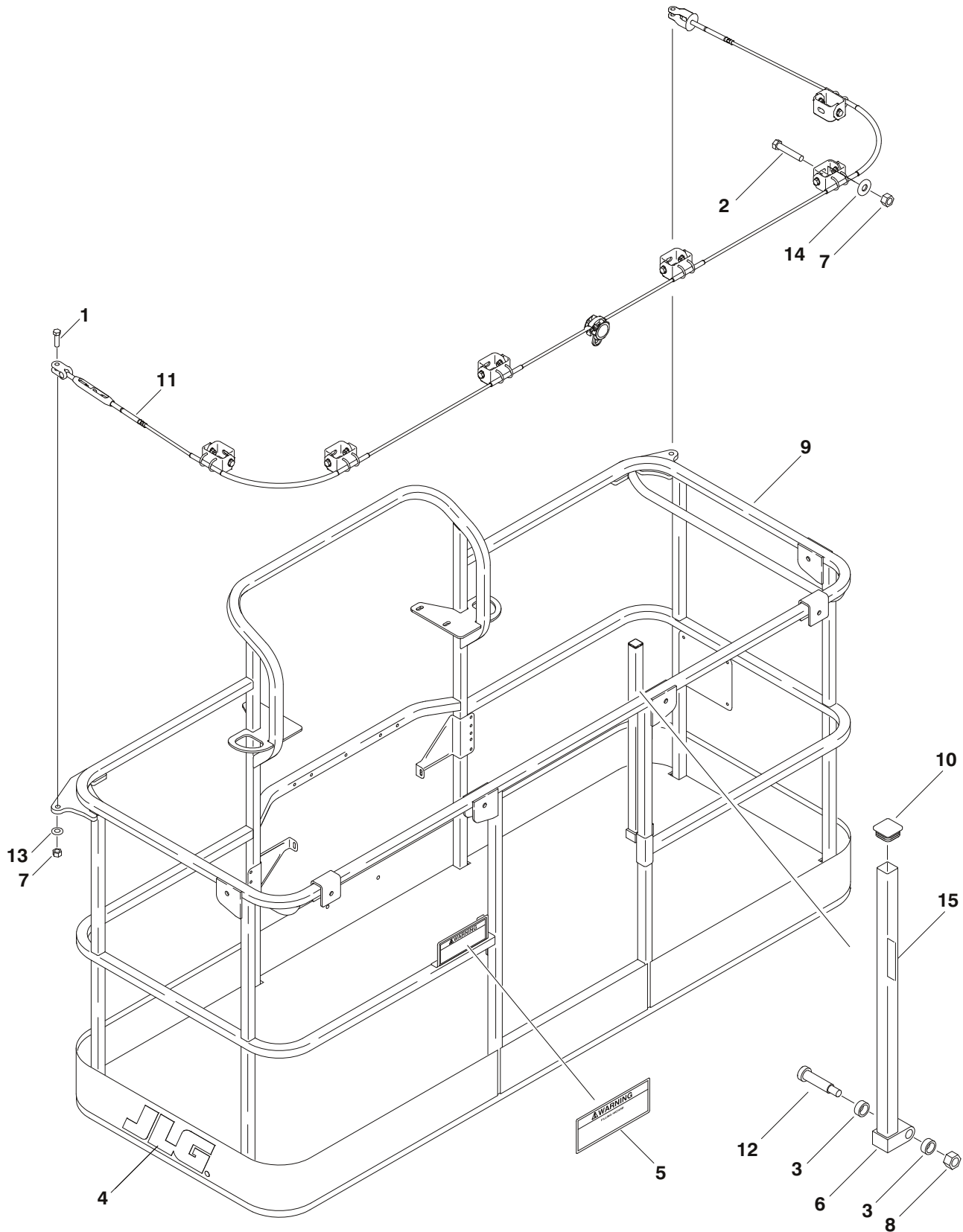
SECTION 4 PLATFORM

FIGURE 4-1. PLATFORM COMPONENTS INSTALLATION (CONTINUED)

ITEM #	PART NUMBER	QTY.	DESCRIPTION	REV.
109	4360331	1	Switch, Toggle	
110	4740362	7	Flatwasher 1/4in Fender	
111	4751400	4	Flatwasher 1/4in Regular	
112	4751600	8	Flatwasher 3/8in Regular	
113	3790012	1	O-Ring	
		Ref	WORKLIGHTS INSTALLATIONS (OPTIONAL)	
	0273486	Ref	600S	D
	0273490	Ref	600SJ	D
	0273491	Ref	660SJ	D
201	3536089	2	Plate, Mounting	
202		4	Hardware Options:	
	0641414		Bolt 1/4in-20NC x 1-3/4in (SN 0300087000 to SN 0300112346)	
	2080040		Huck Fastener (SN 0300112346 to SN 0300171769)	
203	3311405	4	Locknut 1/4in-20NC (SN 0300087000 to SN 0300112346)	
204	4711400	8	Flatwasher 1/4in Thin (SN 0300087000 to SN 0300112346)	
205	2920140	2	Worklight	
	7016399	2	Bulb, Replacement (1 Per Worklight)	
206	4240099	10	Tie-Strap (Not Shown)	
207	2820035	9ft/2.7m	Loom, Vinyl (Not Shown)	
208	Not Used			
209	4460426	1	Connector, Strain Relief (Not Shown - Located at Console Box)	
		Ref	TRAY INSTALLATIONS (OPTIONAL)	
301	1580012	1	Tray, Storage (Center)	
302	1580013	1	Tray, Storage (Rail Mounted - Not Shown)	
		Ref	FLOODLIGHT INSTALLATION (OPTIONAL)	
	0274209	Ref	600S & 600SJ	A
	1001093274	Ref	660SJ	A
401	0641518	2	Bolt 5/16in-18NC x 2-1/4in	
402	2560173	2	Handle	
403	2920157	2	Lamp, Work Light	
404	3250585	1	Nameplate - Light On	
405	4060802	1	Guard, Switch	
406	4360336	1	Switch, Toggle	
407	4420037	1	Tape, Insulation (Not Shown)	
408	4751800	2	Flatwasher 1/2in Regular	
409	4846561	1	Mount, Light	
410		1	Harness 12/3 Options (Not Shown):	
	4922888		600S & 600SJ	
	4922964		660SJ	
		Ref	2500W GENERATOR INSTALLATION (OPTIONAL)	
501	4360336	1	Switch, Toggle	
	4740397	1	Bushing	
	4060802	1	Guard, Switch	
	3251102	1	Decal - Generator On/Off	

SECTION 4 PLATFORM

FIGURE 4-2. PLATFORM COMPONENTS INSTALLATION (FALL ARREST PLATFORM)



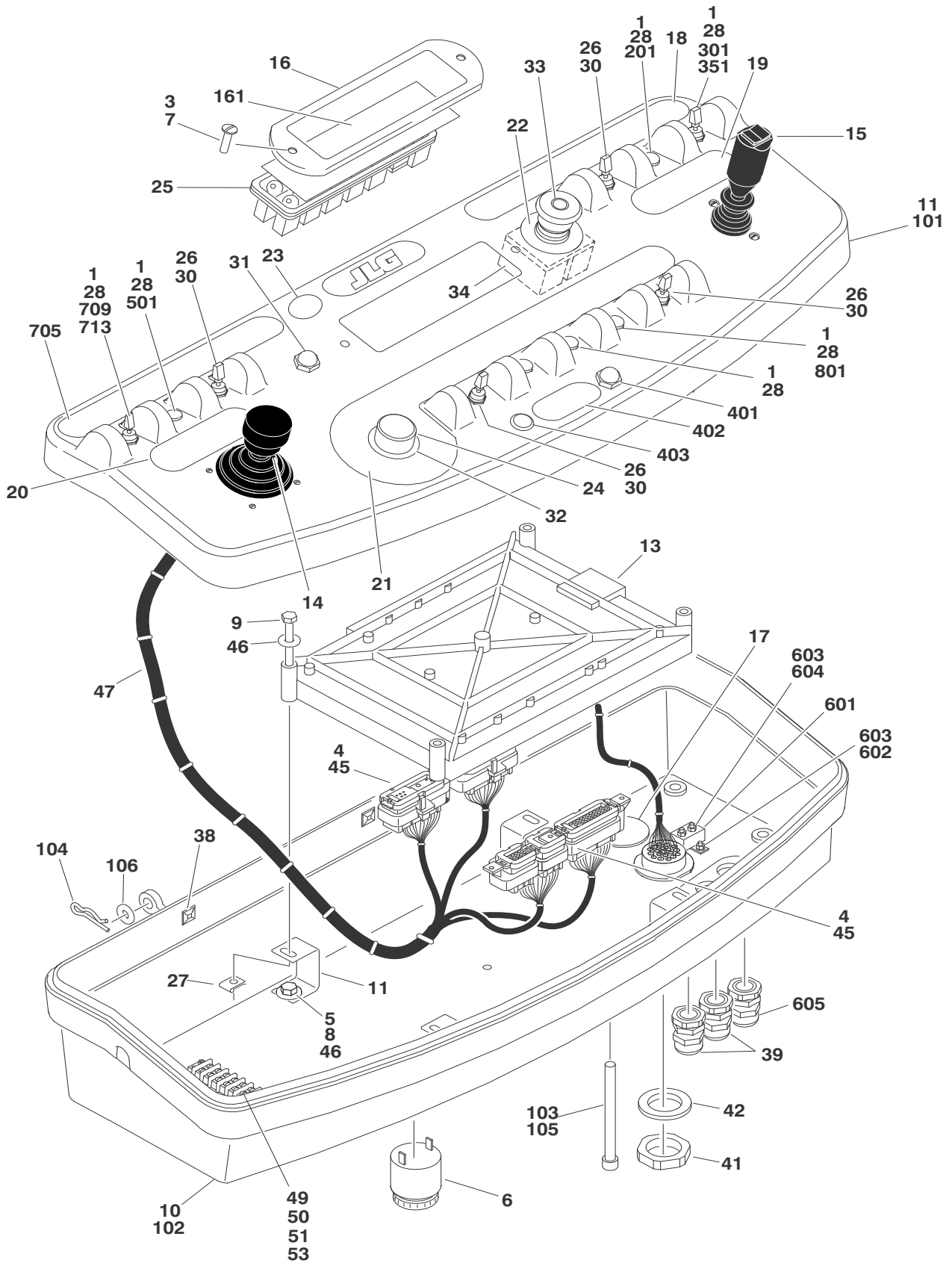
SECTION 4 PLATFORM

FIGURE 4-2. PLATFORM COMPONENTS INSTALLATION (FALL ARREST PLATFORM)

ITEM #	PART NUMBER	QTY.	DESCRIPTION	REV.
		Ref	Note: Only Available on USA Built Machines Only.	
		Ref	PLATFORM ASSEMBLY (FALL ARREST)	
	3510884	Ref	ANSI Spec (3ft x 6ft)	D
	3510868	Ref	ANSI Spec (3ft x 8ft)	E
	3510877	Ref	Australian Specs	D
		Ref	Note: Fall Arrest Not Available on CE Spec Platform Assembly.	
1	0681814	2	Bolt 1/2in-13NC x 1-3/4in (Grade 8)	
2	0681822	6	Bolt 1/2in-13NC x 2-3/4in (Grade 8)	
3	0962270	2	Bearing, Oilite	
4	1702773	1	Decal - JLG	
5		1	Decal - Safety Options:	
	1705014		ANSI Spec	
	1706501		Australian & CE Specs	
6	2410014	1	Gate Weldment	
7	3271805	8	Locknut 1/2in-13NC (Grade 8)	
8	3311605	1	Locknut 3/8in-16NC	
9	See Note	1	Platform Weldment (Note: Purchase Platform Assembly)	
10	3520072	1	Cap-Plug	
11		1	Cable, Fall Arrest Options:	
	1060919		ANSI Spec (3ft x 6ft)	
	3890040		ANSI Spec (3ft x 8ft)	
	3890040		Australian & CE Specs	
12	3900054	1	Bolt 1/2in-13NC x 1-3/4in	
13	4711800	2	Flatwasher 1/2in Thin	
14	4751800	6	Flatwasher 1/2in Regular	
15		1	Decal - Drop Bar Options:	
	1706385		ANSI Spec	
	1706493		Australian & CE Specs	

SECTION 4 PLATFORM

FIGURE 4-3. PLATFORM CONSOLE ASSEMBLY (USA BUILT MACHINES SN 0300087000 TO SN 0300138729)



SECTION 4 PLATFORM

FIGURE 4-3. PLATFORM CONSOLE ASSEMBLY (USA BUILT MACHINES SN 0300087000 TO SN 0300138729)

ITEM #	PART NUMBER	QTY.	DESCRIPTION	REV.
	0861511	Ref	CONSOLE BOX & FOOTSWITCH ASSEMBLIES	J
1	0100009	AR	Sealant	
2	Not Used			
3	0100035	AR	Compound, Locking	
4	0100048	AR	Grease, Dielectric	
5	0100081	AR	Loctite #454	
6	0140011	1	Alarm	
7	0630464	2	Screw, Button Head #10-24NC x 1/2in	
8	0641404	4	Bolt 1/4in-20NC x 1/2in	
9	0641414	4	Bolt 1/4in-20NC x 1-3/4in	
10	0861537	1	Box, Console (See Items 201-206 for Breakdown)	
11	0902751	4	Bracket, Module Support	
12	Not Used			
13	1600375	1	Controller, Module (Re-calibration Required when Replaced)	
14	Use 1001129555	1	Controller Assembly (Lift & Swing) (See CONTROLLER ASSEMBLY (LIFT & SWING) for Breakdown) (was p/n 1600317 & 100118417)	
15	Use 1001118416	1	Controller Assembly (Drive & Steer) (See CONTROLLER ASSEMBLY (DRIVE & STEER) for Breakdown) (was p/n 1600318)	
16	1670829	1	Bezel	
17	1001110434	1	Cover (was p/n 1671037)	
18		1	Decal (Stop) Options: Decal SN 0300087000 to SN 0300136519 SN 0300136519 to SN 0300138729	
19	1702565	1	Decal (Drive and Steer)	
20	1702566	1	Decal (Lift and Swing)	
21	1702567	1	Decal (Function Speed)	
22	1704260	1	Decal - EMS	
23	1705132	1	Decal - ADE	
24	2560136	1	Handle, Knob	
25	2760105	1	Housing, Display Light	
26	3790012	4	O-Ring	
27	3300353	4	Nut, Tinnerman	
28	3520054	6	Plug, Hole 1/2in	
29	Not Used			
30	4360328	4	Switch, Toggle	
31	4360387	1	Switch, Pushbutton	
32	4360407	1	Controller, Speed	
	See Note	1	Gasket "Top Hat" (Included with Switch) (Note: Not Available - Purchase Complete Controller.)	
	70003784	1	Seal	
33	4360475	1	Switch, Emergency Stop	
	7020175	1	Cap, Red	
	7020176	1	Contact Block	
34	4360476	1	Block, Contact	
35 to 37	Not Used			
38	4460234	AR	Terminal, Wire Tie Mounting	

SECTION 4 PLATFORM

FIGURE 4-3. PLATFORM CONSOLE ASSEMBLY (USA BUILT MACHINES SN 0300087000 TO SN 0300138729) (CONTINUED)

ITEM #	PART NUMBER	QTY.	DESCRIPTION	REV.
39	4460428	2	Connector, Strain Relief	
40	Not Used			
41	4460470	1	Nut, Terminal	
42	4460471	1	Lockwasher, Terminal	
43	Not Used			
44	4460708	2	Connector, Female - 15 Position (Not Shown - See ELECTRICAL SECTION for Location)	
45	4460905	5	Connector, Amp Seal Plug	
46	4751400	8	Flatwasher 1/4in Regular	
47		1	Harness, Platform Box (See ELECTRICAL SECTION for Breakdown)	
	4922639		SN 0300087000 to SN 0300136519	
	1001107753		SN 0300136519 to SN 0300138729	
48	4922666	1	Harness, Analyzer Cable (Not Shown - See ELECTRICAL SECTION for Breakdown)	
49	0721006	2	Screw #10-24NC x 3/4in	
50	3311005	2	Locknut #10-24NC	
51	4460007	1	Bar, Buss	
52	Not Used			
53	4751000	2	Flatwasher #10 Regular	
		1	Decal Kit - Console Box Options: ANSI Spec (Includes Items 18-23 & 261) All Other Specs (Note: Not Available for Purchase.)	
	1001119562			
	See Note			
	0861537	Ref	CONSOLE BOX ASSEMBLY	E
101	See Note	1	Console Top (Note: Not Available - Purchase Complete Console Box Assembly.)	
102	See Note	1	Console Bottom (Note: Not Available - Purchase Complete Console Box Assembly.)	
103	3311601	1	Nut 3/8in-16NC	
104		2	Hardware Options: Pin, Cotter (SN 0300087000 to SN 0300088140) Pin, Hair (SN 0300088140 to SN 0300138729)	
	3420156			
	3470003			
105	0630568	1	Screw 3/8in-16NC x 4-1/2in	
106	4711500	2	Flatwasher 5/16in Thin	
		Ref	LIGHT PANEL DECAL INSTALLATION	
	0256631	Ref	ANSI & CSA Specs	2
	0256633	Ref	ANSI Export, Australian, Brazilian, Japanese & Latin America Specs	2
	0256632	Ref	CE, ANSI Export, Australian & Japanese Specs	2
161		1	Decal - Display Options: ANSI & CSA Specs ANSI Export, Australian, Brazilian, Japanese & Latin America Specs CE, ANSI Export, Australian & Japanese Specs	
	1702387			
	1703085			
	1703084			

SECTION 4 PLATFORM

FIGURE 4-3. PLATFORM CONSOLE ASSEMBLY (USA BUILT MACHINES SN 0300087000 TO SN 0300138729) (CONTINUED)

ITEM #	PART NUMBER	QTY.	DESCRIPTION	REV.
	0270764	Ref	DUAL FUEL SWITCH INSTALLATION (FORD ENGINES ONLY)	4
201	4360336	1	Switch, Toggle	
	3790012	1	O-Ring	
	0271552	Ref	HEAD & TAIL LIGHTS INSTALLATIONS (OPTIONAL)	C
301		1	Switch Options (Not Shown - Located on Console):	
	4360336		Switch, Toggle SN 0300087000 to SN 0300136519	
	4360522		Switch, Push Button SN 0300136519 to SN 0300138729	
	3790012	1	O-Ring (Not Shown - Located on Console) (SN 0300087000 to SN 0300136519 Only)	
	0274210	Ref	CHASSIS ILLUMINATION LIGHT INSTALLATION	B
351		1	Switch Options (Not Shown - Located on Console):	
	4360336		Switch, Toggle SN 0300087000 to SN 0300136519	
	4360522		Switch, Push Button SN 0300136519 to SN 0300138729	
	3790012	1	O-Ring (Not Shown - Located on Console) (SN 0300087000 to SN 0300136519 Only)	
		Ref	SOFT TOUCH SYSTEM INSTALLATION (OPTIONAL)	
	0273824	Ref	6ft Platforms	A
	0274927	Ref	6ft Platforms with Fall Arrest (SN 0300087000 to SN 0300136519)	A
	1001108256	Ref	6ft Platforms with Fall Arrest (SN 0300136519 to SN 0300138729)	A
	0272427	Ref	8ft Platform	C
	0273706	Ref	8ft Platforms With Fall Arrest	A
401	4360387	1	Switch, Pushbutton	
402	1702938	1	Decal - Soft Touch Override	
403	2920028	1	Light, Indicator	
	2920029	1	Bulb, Light	
	0258945	Ref	4WS COMPONENTS INSTALLATION	A
501	4360331	1	Switch, Toggle	
	3790012	1	O-Ring	
		Ref	PLATFORM WORKLIGHT INSTALLATION (OPTIONAL)	
	0273486	Ref	600S	C
	0273490	Ref	600SJ	C
	0273491	Ref	660SJ	C
601	4360232	1	Breaker, Circuit - 15Amp	
602	0721003	2	Bolt #10-24NC x 3/8in	
603	4761000	4	Lockwasher #10	
604	3311001	2	Nut #10-24NC	

SECTION 4 PLATFORM

FIGURE 4-3. PLATFORM CONSOLE ASSEMBLY (USA BUILT MACHINES SN 0300087000 TO SN 0300138729) (CONTINUED)

ITEM #	PART NUMBER	QTY.	DESCRIPTION	REV.
605	4460426	1	Connector, Strain Relief	
	0271940	Ref	CONSOLE BOX INSTALLATIONS	B
701 to 704	Not Used			
705	1702676	1	Decal - Horn	
706 to 708	Not Used			
709	4360331	1	Switch, Toggle	
710 to 712	Not Used			
713	3790012	1	O-Ring	
		Ref	JIB SWITCH INSTALLATION (600SJ & 660SJ ONLY)	
801	4360328	1	Switch, Toggle	
	3790012	1	O-Ring	

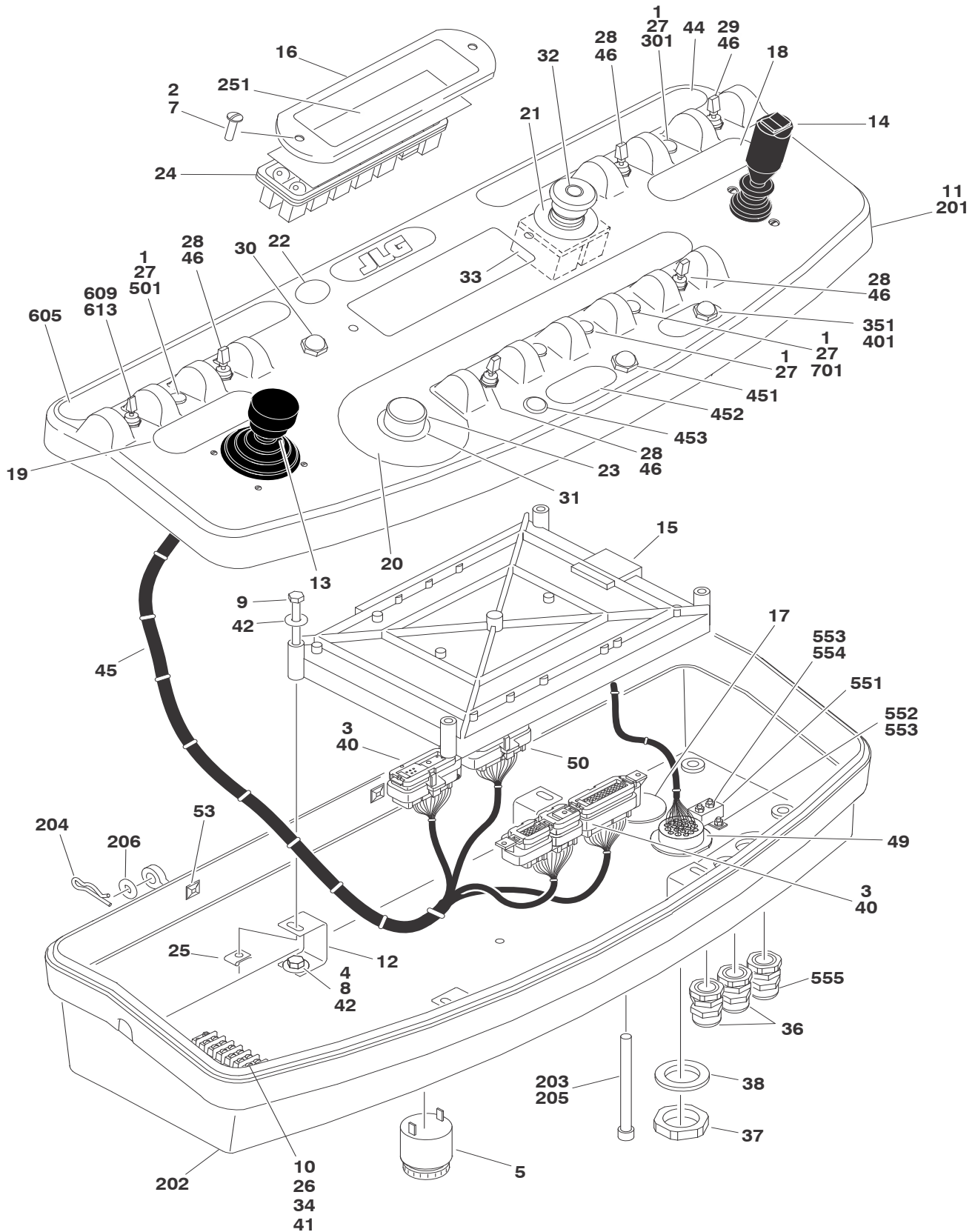
SECTION 4 PLATFORM

FIGURE 4-3. PLATFORM CONSOLE ASSEMBLY (USA BUILT MACHINES SN 0300087000 TO SN 0300138729) (CONTINUED)

ITEM #	PART NUMBER	QTY.	DESCRIPTION	REV.

SECTION 4 PLATFORM

FIGURE 4-4. PLATFORM CONSOLE ASSEMBLY (USA BUILT MACHINES SN 0300138729 TO SN 0300171769 & CHINA BUILT MACHINES SN B30000100 TO PRESENT)



SECTION 4 PLATFORM

FIGURE 4-4. PLATFORM CONSOLE ASSEMBLY (USA BUILT MACHINES SN 0300138729 TO SN 0300171769 & CHINA BUILT MACHINES SN B300000100 TO PRESENT)

ITEM #	PART NUMBER	QTY.	DESCRIPTION	REV.
		Ref	Note: Machines "Without UGM" are ALL USA Built Machines.	
		Ref	Note: Platform Console Module is different based on the Ground Control Module (i.e. with UGM or without UGM). For Ground Module identification, see Revision Log Page A.	
		Ref	CONSOLE BOX & FOOTSWITCH ASSEMBLIES	
	1001108790		Without UGM	C
	Use 1001145895		With UGM (USA Built Machines) (was p/n 100114449)	B/F
	Use 1001145895		With UGM (China Built Machines) (was p/n 100114449)	B/F
1	0100009	AR	Sealant	
2	0100035	AR	Compound, Locking	
3	0100048	AR	Grease, Dielectric	
4	0100081	AR	Loctite #454	
5	0140011	1	Alarm	
6	Not Used			
7	0630464	2	Screw, Button Head #10-24NC x 1/2in	
8	0641404	4	Bolt 1/4in-20NC x 1/2in	
9	0641414	4	Bolt 1/4in-20NC x 1 3/4in	
10	0721006	2	Screw #10-24NC x 3/4in	
11	0861537	1	Box, Console (See Items 201-206 for Breakdown)	
12	0902751	4	Bracket, Module Support	
13		1	Controller Assembly (Lift & Swing) Options (See CONTROLLER ASSEMBLY (LIFT & SWING) for Breakdown)	
	Use 1001129555		Controller USA Built Machines SN 0300087000 to SN 0300146164 & China Built Machines SN B300000100 to SN B300000272 (was p/n 1600317)	
	Use 1001129555		Controller USA Built Machines SN 0300146164 to SN 0300171769 & China Built Machines SN B300000272 to Present (was p/n 1001118417)	
14		1	Controller Assembly (Drive & Steer) Options (See CONTROLLER ASSEMBLY (DRIVE & STEER) for Breakdown):	
	Use 1001118416		Controller USA Built Machines SN 0300087000 to SN 0300146164 & China Built Machines SN B300000100 to SN B300000272 (was p/n 1600318)	
	1001118416		Controller USA Built Machines SN 0300146164 to SN 0300171769 & China Built Machines SN B300000272 to Present	
15		1	Controller, Module Options (Re-calibration Required when Replaced):	
	1600375		Without UGM	
	1001106355		With UGM	
16	1670829	1	Bezel	
17	1001110434	1	Cover (was p/n 1671037)	
18	1702565	1	Decal (Drive and Steer)	
19	1702566	1	Decal (Lift and Swing)	
20	1702567	1	Decal (Function Speed)	
21	1704260	1	Decal (EMS)	
22	1705132	1	Decal (ADE)	
23	2560136	1	Handle, Knob	

SECTION 4 PLATFORM

FIGURE 4-4. PLATFORM CONSOLE ASSEMBLY (USA BUILT MACHINES SN 0300138729 TO SN 0300171769 & CHINA BUILT MACHINES SN B300000100 TO PRESENT) (CONTINUED)

ITEM #	PART NUMBER	QTY.	DESCRIPTION	REV.
24	2760105	1	Housing, Display Light	
	2920129	12	Bulb, Light	
25	3300353	4	Nut, Tinnerman	
26	3311005	2	Locknut #10-24NC	
27	3520054	5	Plug, Hole 1/2in	
28	4360328	4	Switch, Toggle	
29	4360330	1	Switch, Toggle	
30	4360387	1	Switch, Pushbutton	
31	4360407	1	Controller, Speed	
	See Note	1	Gasket "Top Hat" (Included with Switch) (Note: Not Available - Purchase Complete Controller.)	
	70003784	1	Seal	
32	4360475	1	Switch, Emergency Stop	
	7020175	1	Cap, Red	
	7020176	1	Contact Block	
33	4360476	1	Block, Contact	
34	4460007	1	Bar, Buss	
35	4460234	3	Mount, Wire Tie (Not Shown - Used on bottom of Console Lid)	
36	4460428	2	Connector, Strain Relief	
37	4460470	1	Nut, Strain Relief	
38	4460471	1	Lockwasher, Strain Relief	
39	4460708	2	Connector, Female - 15 Position (Not Shown - Used on Console Box End of Footswitch Cable & Analyzer Harness)	
40	4460905	AR	Connector, Amp Seal Plug	
41	4751000	2	Flatwasher #10 Regular	
42	4751400	8	Flatwasher 1/4in Regular	
43	4922666	1	Harness, Analyzer Cable (Not Shown - See ELECTRICAL SECTION for Breakdown)	
44	1001131168	1	Decal (Stop) (was p/n 1001107677)	
45	1001107753	1	Harness, Platform Box (See ELECTRICAL SECTION for Breakdown)	
46	3790012	5	O-Ring	
47 to 200	Not Used			
		1	----- Decal Kit - Console Box Options: ANSI Spec (Includes Items 18-22, 44 & 251) All Other Specs (Note: Not Available for Purchase.)	
	1001119562			
	See Note			
	0861537	Ref	CONSOLE BOX ASSEMBLY	G
201	See Note	1	Console Top (Note: Not Available - Purchase Complete Console Box Assembly.)	
202	See Note	1	Console Bottom (Note: Not Available - Purchase Complete Console Box Assembly.)	
203	3311601	1	Nut 3/8in-16NC	
204	3470003	2	Pin, Hair	
205	0630568	1	Screw 3/8in-16NC x 4-1/2in	
206	4711500	2	Flatwasher 5/16in Thin	

SECTION 4 PLATFORM

FIGURE 4-4. PLATFORM CONSOLE ASSEMBLY (USA BUILT MACHINES SN 0300138729 TO SN 0300171769 & CHINA BUILT MACHINES SN B300000100 TO PRESENT) (CONTINUED)

ITEM #	PART NUMBER	QTY.	DESCRIPTION	REV.
		Ref	LIGHT PANEL DECAL INSTALLATION	
	1001108763	Ref	ANSI, ANSI Export, CSA, Brazilian, Japanese & Latin America Specs	B
	1001108764	Ref	CE, ANSI Export, Australian & Japanese Specs	A
251		1	Decal - Display Options:	
	1001107927		ANSI, ANSI Export, CSA, Brazilian, Japanese & Latin America Specs (USA Built Machines SN 0300138729 to SN 0300142586)	
	1001121657		ANSI, ANSI Export, CSA, Brazilian, Japanese & Latin America Specs (USA Built Machines SN 0300142586 to SN 0300171769)	
	1001121657		ANSI, ANSI Export, CSA, Brazilian, Japanese & Latin America Specs (China Built Machines SN B300000100 to Present)	
	1001107926		CE, ANSI Export, Australian & Japanese Specs	
		Ref	DUAL FUEL SWITCH INSTALLATION	
301	4360336	1	Switch, Toggle	
	3790012	1	O-Ring	
	0271552	Ref	HEAD & TAIL LIGHTS INSTALLATIONS (OPTIONAL)	C
351	4360522	1	Switch, Toggle (Not Shown - Located on Console)	
	0274210	Ref	CHASSIS ILLUMINATION LIGHT INSTALLATION	B
401	4360522	1	Switch, Toggle (Not Shown - Located on Console)	
		Ref	SOFT TOUCH SYSTEM INSTALLATION (OPTIONAL)	
	0273824	Ref	6ft Platforms	B
	1001108256	Ref	6ft Platforms with Fall Arrest	A
	0272427	Ref	8ft Platforms	E
	0273706	Ref	8ft Platforms With Fall Arrest	B
451	4360387	1	Switch, Pushbutton	
452	1702938	1	Decal - Soft Touch Override	
453	2920028	1	Light, Indicator	
	2920029	1	Bulb, Light	
		Ref	4WS COMPONENTS INSTALLATION	
	0273357	Ref	USA Built Machines	1
	0258945	Ref	China Built Machines	A
501	4360331	1	Switch, Toggle	
	3790012	1	O-Ring	

SECTION 4 PLATFORM

FIGURE 4-4. PLATFORM CONSOLE ASSEMBLY (USA BUILT MACHINES SN 0300138729 TO SN 0300171769 & CHINA BUILT MACHINES SN B300000100 TO PRESENT) (CONTINUED)

ITEM #	PART NUMBER	QTY.	DESCRIPTION	REV.
		Ref	PLATFORM WORKLIGHT INSTALLATION (OPTIONAL)	
	0273486	Ref	600S	C
	0273490	Ref	600SJ	C
	0273491	Ref	660SJ	C
551	4360232	1	Breaker, Circuit - 15Amp	
552	0721003	2	Bolt #10-24NC x 3/8in	
553	4761000	4	Lockwasher #10	
554	3311001	2	Nut #10-24NC	
555	4460426	1	Connector, Strain Relief	
		Ref	CONSOLE BOX INSTALLATIONS	
	1001108791	Ref	All Specs Except CE UK Spec & CE German Spec (Without UGM)	A
	1001108792	Ref	CE UK Spec & CE German Spec Only (Without UGM)	A
	Use 1001145896	Ref	All Specs (With UGM) (USA Built Machines) (was p/n 1001114447)	A/D
	1001114447	Ref	All Specs (With UGM) (China Built Machines)	D
601 to 604	Not Used			
605	1702676	1	Decal - Horn	
606 to 608	Not Used			
609	4360331	1	Switch, Toggle	
610 to 612	Not Used			
613	3790012	1	O-Ring	
		Ref	JIB SWITCH INSTALLATION (600SJ & 660SJ ONLY)	
701	4360328	1	Switch, Toggle	
	3790012	1	O-Ring	

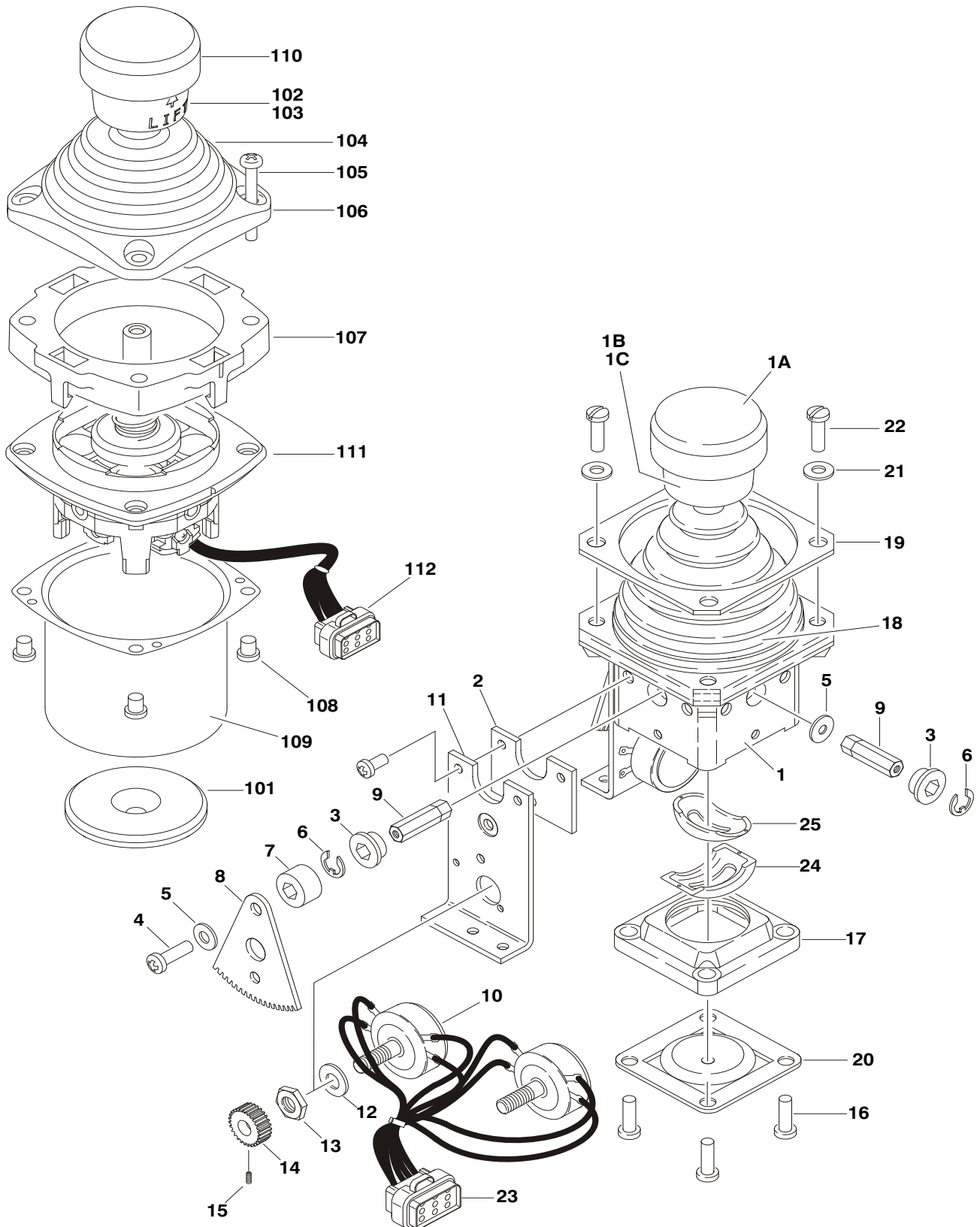
SECTION 4 PLATFORM

FIGURE 4-4. PLATFORM CONSOLE ASSEMBLY (USA BUILT MACHINES SN 0300138729 TO SN 0300171769 & CHINA BUILT MACHINES SN B300000100 TO PRESENT) (CONTINUED)

ITEM #	PART NUMBER	QTY.	DESCRIPTION	REV.

SECTION 4 PLATFORM

FIGURE 4-5. CONTROLLER ASSEMBLY (LIFT AND SWING)



SECTION 4 PLATFORM

FIGURE 4-5. CONTROLLER ASSEMBLY (LIFT AND SWING)

ITEM #	PART NUMBER	QTY.	DESCRIPTION	REV.
		Ref	Note: Original Equipment controller may have been replaced with Service Replacement controller. Visually identify controller before ordering parts.	
		Ref	CONTROLLER ASSEMBLIES	
	1600317	Ref	Controller Assembly (Original Equipment - USA Built Machines SN 0300087000 to SN 0300146164 & China Built Machines SN B300000100 to SN B300000272)	B
1	7019141	1	Mechanical Assembly (Includes Base, Handle Stem & Items 1A, 1B, 1C & 18)	
1A	7019197	1	Handle Cap & Rod	
1B	7003928	1	Spring	
1C	7022808	1	Cap, Lift	
2	7019171	2	Plate	
3	7019111	4	Bearing, Gear	
4	7019143	2	Screw	
5	7019144	2	Spacer, Cam	
6	7019145	4	E-Clip	
7	7019174	2	Spacer	
8	7003977	2	Gear, Drive	
9		2	Shaft Options:	
	7019147		Shaft, Short	
	7019177		Shaft, Long	
10	7022818	2	Potentiometer	
11	7019142	2	Plate	
12	7003992	2	Washer	
13	7003993	2	Nut	
14	7003976	2	Gear, Slave	
15	7019149	2	Setscrew	
16	7022816	4	Screw	
17	7019150	1	Gate	
18	7022814	1	Boot	
19	7022815	1	Bezel	
20	Use 1001129555	1	Center, Detent (Note: Not Available for Purchase.)	
21	7003953	4	Washer	
22	7022817	4	Screw	
23	7022819	1	Plug, Male 8 Position (Natural)	
	4460871	8	Socket, Female	
24	7019122	1	Gimble, Outer	
25	7019123	1	Gimble, Inner	

SECTION 4 PLATFORM

FIGURE 4-5. CONTROLLER ASSEMBLY (LIFT AND SWING) (CONTINUED)

ITEM #	PART NUMBER	QTY.	DESCRIPTION	REV.
	Use 1001129555	Ref	Controller Assembly (Service Replacement - USA Built Machines SN 0300087000 to SN 0300146164 & China Built Machines SN B300000100 to SN B300000272) (Original Equipment - USA Built Machines SN 0300146164 to SN 0300171769 & China Built Machines SN B300000272 to Present) Note: Was p/n 100118417 Assembly - Use p/n 1001129555 Kit as replacement.	A
		Ref		
		Ref		
		Ref		
101	70002730	1	Gasket	
102	7003928	1	Spring	
103	7022808	1	Cap, Lift	
104	70002731	1	Boot	
105	70002732	4	Screw	
106	7022815	1	Bezel	
107	70002733	1	Adapter	
108	70002734	4	Screw	
109	70002735	1	Can, Enclosure	
110	70002906	1	Cap	
111	Use 1001129555	1	Mechanical Assembly (Note: Not Available for Purchase.)	
112	7022819	1	Plug, Male 8 Position (Natural)	
	4460871	6	Socket, Female	

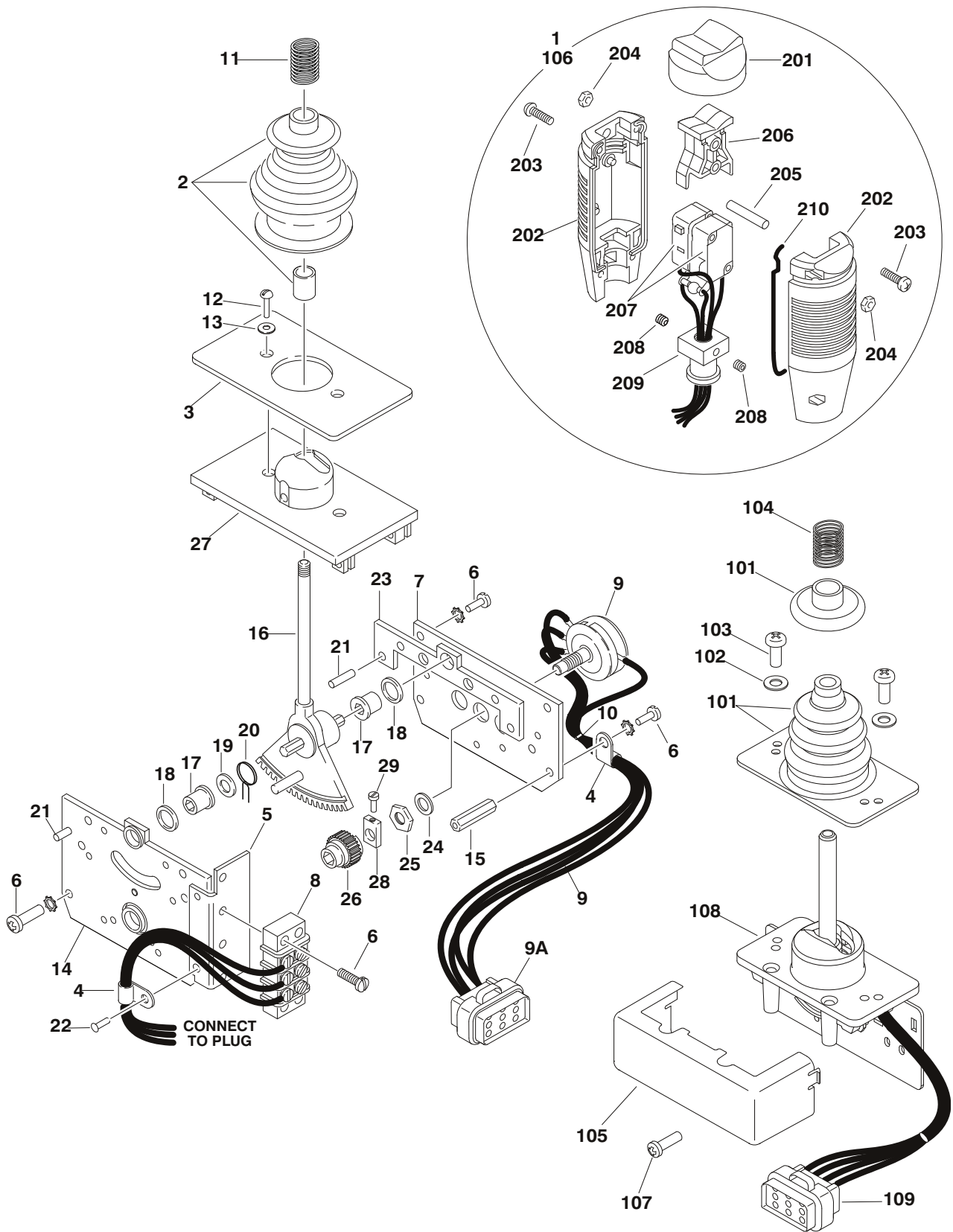
SECTION 4 PLATFORM

FIGURE 4-5. CONTROLLER ASSEMBLY (LIFT AND SWING) (CONTINUED)

ITEM #	PART NUMBER	QTY.	DESCRIPTION	REV.

SECTION 4 PLATFORM

FIGURE 4-6. CONTROLLER ASSEMBLY (DRIVE AND STEER)



SECTION 4 PLATFORM

FIGURE 4-6. CONTROLLER ASSEMBLY (DRIVE AND STEER)

ITEM #	PART NUMBER	QTY.	DESCRIPTION	REV.
		Ref	Note: Original Equipment controller may have been replaced with Service Replacement controller. Visually identify controller before ordering parts.	
		Ref	CONTROLLER ASSEMBLIES	
	1600318	Ref	Controller Assembly (Original Equipment - USA Built Machines SN 0300087000 to SN 0300146164 & China Built Machines SN B300000100 to SN B300000272)	C
1	7022812	1	Handle Assembly (See Items 201-210 for Breakdown)	
2	7019161	1	Boot and Sleeve	
3	7003933	1	Gasket	
4	7019154	2	Clamp, Wire	
5	7022823	1	Bracket, Mounting	
6	7003994	1	Screw	
7	7022822	1	Plate, Pot Mounting	
8	7003986	1	Strip, Terminal - 3 Position	
9	7022824	1	Electric Assembly	
9A	Use 1001113961	1	Plug, Male - 8 Position (Black) (was p/n 7022825)	
	4460871	7	Socket, Female	
10	7019151	AR	Tie-Strap	
11	7019162	1	Spring	
12	7003969	2	Screw	
13	7003941	2	Washer	
14	Use 1001118416	1	Plate, Mounting (Left Side) (Note: Not Available for Purchase.)	
15	7019115	2	Stand-Off	
16	7019155	1	Shaft 8mm	
17	7019111	2	Bearing	
18	7019110	2	Spacer, Head Gear	
19	7019112	1	Washer	
20	7003946	1	Spring, Return	
21	7019103	4	Pin	
22	See Note	1	Rivet (Note: Not Available - Purchase Locally.)	
23	7019168	1	Plate, Mounting (Right Side)	
24	7003992	1	Washer	
25	7003993	1	Nut	
26	7003935	1	Gear, Slave	
27	7019160	1	Plate, Base	
28	7019114	1	Coupling, Potentiometer	
29	See Note	1	Screw, Cup Point (Note: Not Available - Purchase Locally.)	
	1001118416	Ref	Controller Assembly (Service Replacement - USA Built Machines SN 0300087000 to SN 0300146164 & China Built Machines SN B300000100 to SN B300000272) (Original Equipment - USA Built Machines SN 0300146164 to SN 0300171769 & China Built Machines SN B300000272 to Present)	A
101	70002724	1	Boot & Control Lock Assembly	

SECTION 4 PLATFORM

FIGURE 4-6. CONTROLLER ASSEMBLY (DRIVE AND STEER) (CONTINUED)

ITEM #	PART NUMBER	QTY.	DESCRIPTION	REV.
102	7003941	2	Washer	
103	70002725	2	Screw	
104	7019162	1	Spring	
105	70002726	1	Enclosure	
106	70002727	1	Handle Assembly (See Items 201-210 for Breakdown)	
107	70002728	1	Screw	
108	Use 1001118416	1	Mechanical Assembly (Note: Not Available for Purchase.)	
109	7022825	1	Plug, Male - 8 Position (Black)	
	4460871	7	Socket, Female	
		Ref	HANDLE ASSEMBLY	
	7022812	Ref	Controller Assembly p/n 1600318	
	70002727	Ref	Controller Assembly p/n 1001118416	
201	7003972	1	Boot, Switch	
202	7003973	2	Half, Handle	
203	7003980	4	Screw	
204	7019167	4	Nut	
205	7019164	1	Axle	
206	7019165	1	Rocker	
207		1	Wiring Assembly Options:	
	7019196		Controller Assembly p/n 1600318	
	70002729		Controller Assembly p/n 1001118416	
		2	Switch, Micro	
	7019166		Controller Assembly p/n 1600318	
	7003982		Controller Assembly p/n 1001118416	
208	7003983	2	Setscrew	
209	7019194	1	Coupling	
210	7003989	2	Gasket	

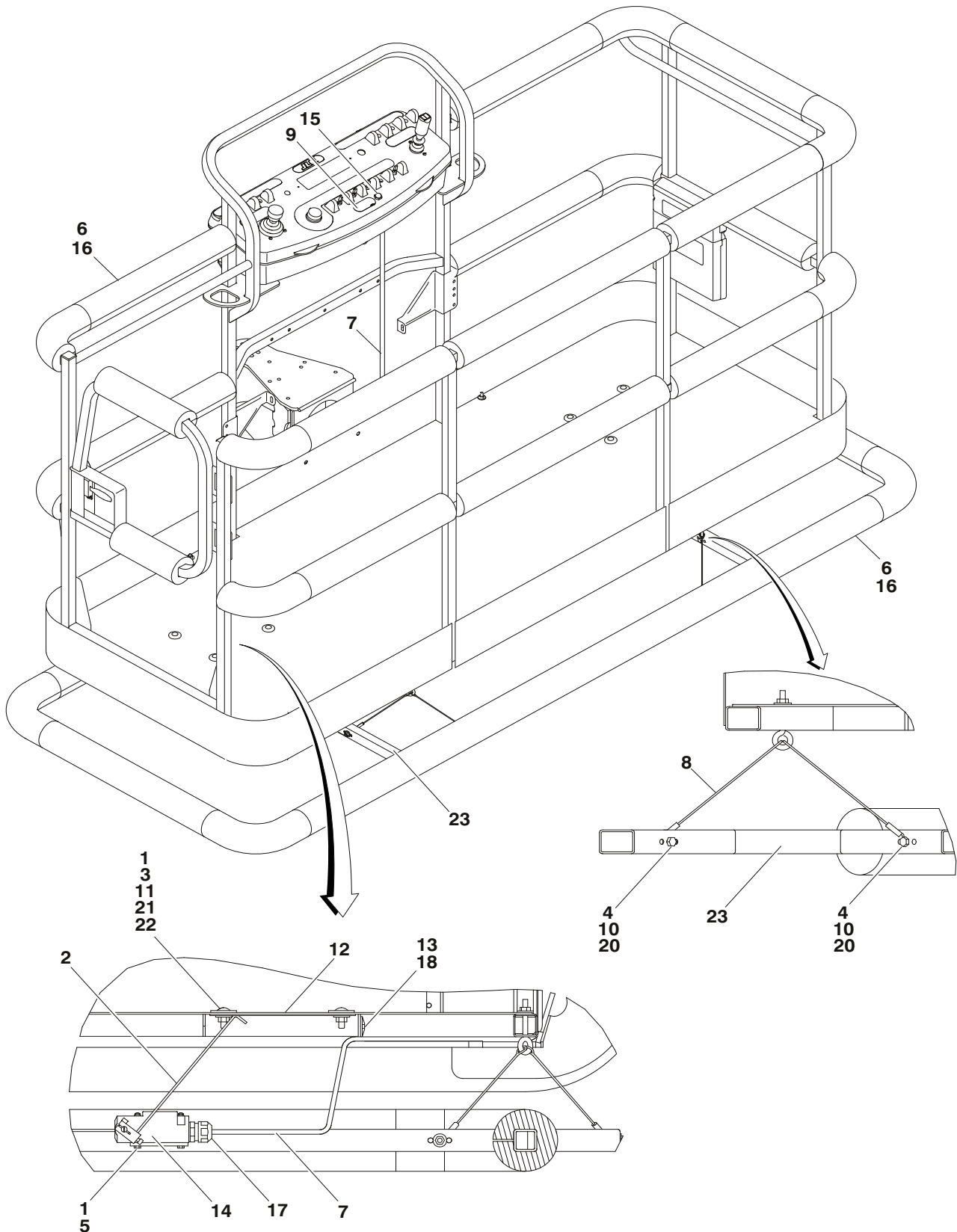
SECTION 4 PLATFORM

FIGURE 4-6. CONTROLLER ASSEMBLY (DRIVE AND STEER) (CONTINUED)

ITEM #	PART NUMBER	QTY.	DESCRIPTION	REV.

SECTION 4 PLATFORM

FIGURE 4-7. SOFT TOUCH SYSTEM INSTALLATION (OPTIONAL)



SECTION 4 PLATFORM

FIGURE 4-7. SOFT TOUCH SYSTEM INSTALLATION (OPTIONAL)

ITEM #	PART NUMBER	QTY.	DESCRIPTION	REV.
		Ref	SOFT TOUCH SYSTEM INSTALLATIONS	
	0273824	Ref	6ft Platforms (Side Entry Platform)	A
	0272427	Ref	8ft Platforms (Side Entry Platform)	E
	0274927	Ref	6Ft/1.8m Platforms (Fall Arrest Platform) (USA Built Machines SN 0300087000 to SN 0300136519)	A
	1001108256	Ref	6Ft/1.8m Platforms (Fall Arrest Platform) (USA Built Machines SN 0300136519 to SN 0300171769)	A
	0273706	Ref	8Ft/2.4m Platforms (Fall Arrest Platform)	A
		Ref	Note: For Overhead Soft Touch, See SPECIAL OPTIONS SECTION.	
1	0100011	AR	Compound, Locking	
2	0200048	2	Arm, Switch	
3	0630462	8	Bolt, Carriage	
4	0641414	8	Bolt 1/4in-20NC x 1-3/4in	
5	0721005	4	Bolt #10-24NC x 5/8in	
6		1	Bumper Kits (Includes Corners and Enough Straight Material for One Platform)	
	0940134		6ft Platforms (Side Entry Platform)	
	0940103		8ft Platforms (Side Entry Platform)	
	0940177		6Ft/1.8m Platforms (Fall Arrest Platform)	
	0940133		8Ft/2.4m Platforms (Fall Arrest Platform)	
	0940092		Bumper (Corner) Options:	
		12	Standard Side Entry Platform	
		8	Fall Arrest Platforms	
	0940094	AR	Bumper	
7	1060341		Cable, Electrical - 16/2 Options:	
		22ft/6.7m	6ft Platform	
		23ft/7m	8ft Platform	
8	1060903	4	Wire Rope & Eyebolt Assembly	
9	1702938	1	Decal - Soft Touch Override	
10	3311401	8	Nut 1/4in-20NC	
11	3311501	8	Nut 5/16in-18NC	
12		2	Plate, Switch Strike Options:	
	3575359		6ft Platform	
	3574091		8ft Platform	
13	4240099	7	Tie-Strap	
14	4360057	2	Switch, Limit	
15	4360387	1	Switch, Push Button	
16	4420068	1	Tape, Adhesive	
17	4460049	2	Connector, Strain Relief	
18	4460234	7	Tie-Strap	
19	4460425	1	Connector, Strain Relief	
20	4751400	8	Flatwasher 1/4in Regular	
21	4751500	12	Flatwasher 5/16in Regular	
22	4751800	8	Flatwasher 1/2in Regular	
23		1	Rail, Soft Touch Options:	
	3641569		6ft Platform	
	4846673		8ft Platform	
24 to 99	Not Used			

SECTION 4 PLATFORM

FIGURE 4-7. SOFT TOUCH SYSTEM INSTALLATION (OPTIONAL) (CONTINUED)

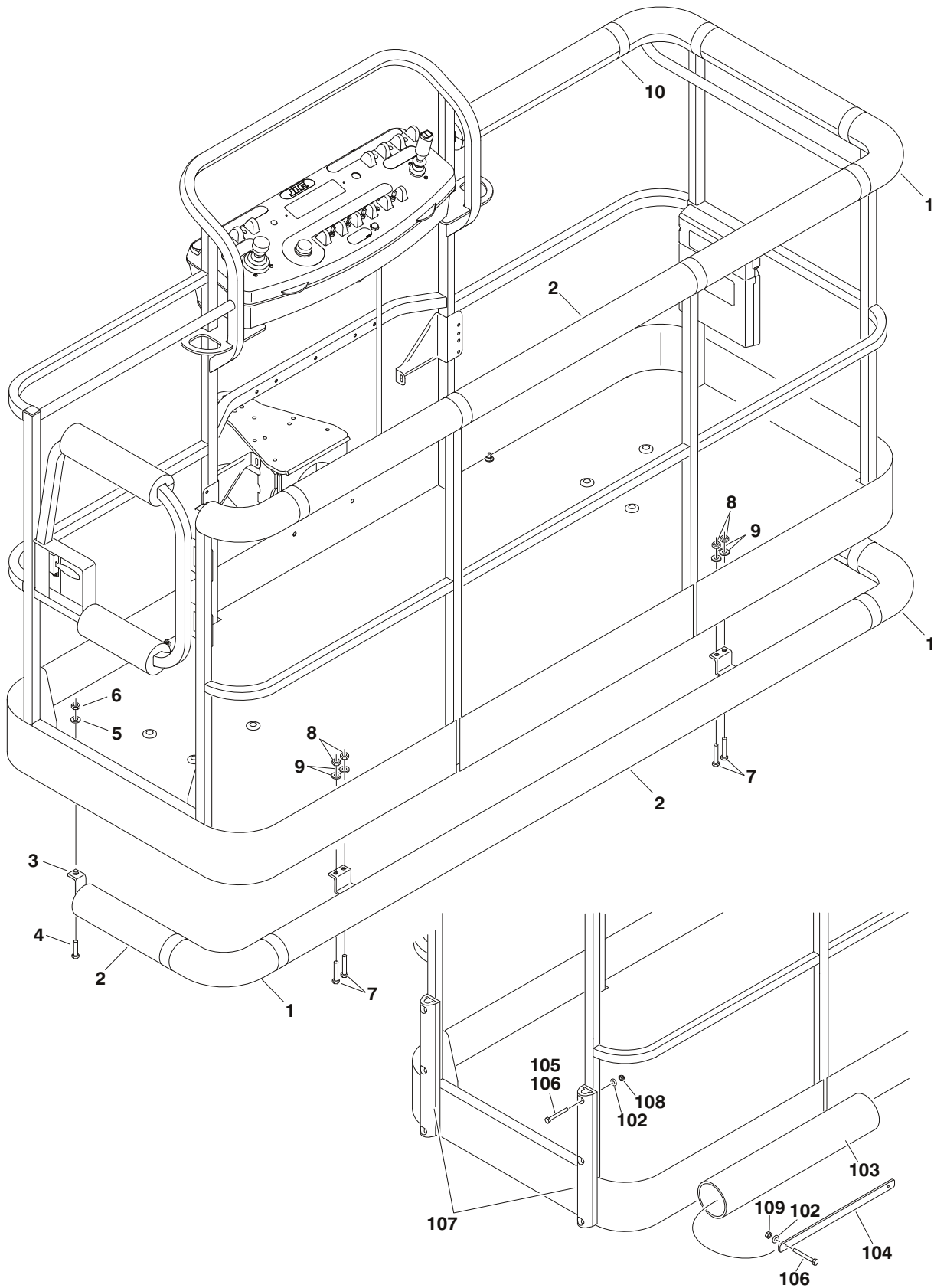
ITEM #	PART NUMBER	QTY.	DESCRIPTION	REV.
100	1001121592 1001121593	1 Ref	Soft-Touch Add-On Kit Options (Includes required components to add option to existing machines) (Not Shown): Note: May not be available for all machines depending on existing options. Contact JLG Parts Dept before ordering. 3ft x 6ft (.9m x 1.83m) Platform 3ft x 6ft (.9m x 2.44m) Platform	

FIGURE 4-7. SOFT TOUCH SYSTEM INSTALLATION (OPTIONAL) (CONTINUED)

ITEM #	PART NUMBER	QTY.	DESCRIPTION	REV.

SECTION 4 PLATFORM

FIGURE 4-8. PLATFORM BUMPER PADDING INSTALLATIONS (OPTIONAL)



SECTION 4 PLATFORM

FIGURE 4-8. PLATFORM BUMPER PADDING INSTALLATIONS (OPTIONAL)

ITEM #	PART NUMBER	QTY.	DESCRIPTION	REV.
	0273542	Ref	PADDING INSTALLATION	A
1	0940092	4	Bumper, Pad (Corner)	
2	0940094	9ft/2.7m	Bumper, Pad (Square Tubing)	
3	0940131	1	Bumper, Rail	
4	0641516	2	Bolt 5/16in-18NC x 2in	
5	4751500	2	Flatwasher 5/16in Regular	
6	3311505	2	Locknut 5/16in-18NC	
7	0641813	4	Bolt 1/2in-13NC x 1-5/8in	
8	3311805	4	Locknut 1/2in-13NC	
9	4891800	4	Flatwasher 1/2in Hardened	
10	4420068	30ft/9.1m	Tape	
	1001110982	Ref	BUMPER INSTALLATION	D
101	Not Used			
102	4711400	10	Flatwasher 1/4in Thin	
103	1001110979	3	Bumper	
104	1001110980	3	Clamp, Bumper	
105	0100011	AR	Compound, Locking	
106	0641418	10	Bolt 1/4in-20NC x 2-1/4in	
107	0940159	2	Bumper	
108	3300430	4	Nut, Acorn 1/4in-20NC	
109	3311405	6	Locknut 1/4in-20NC	

SECTION 4 PLATFORM

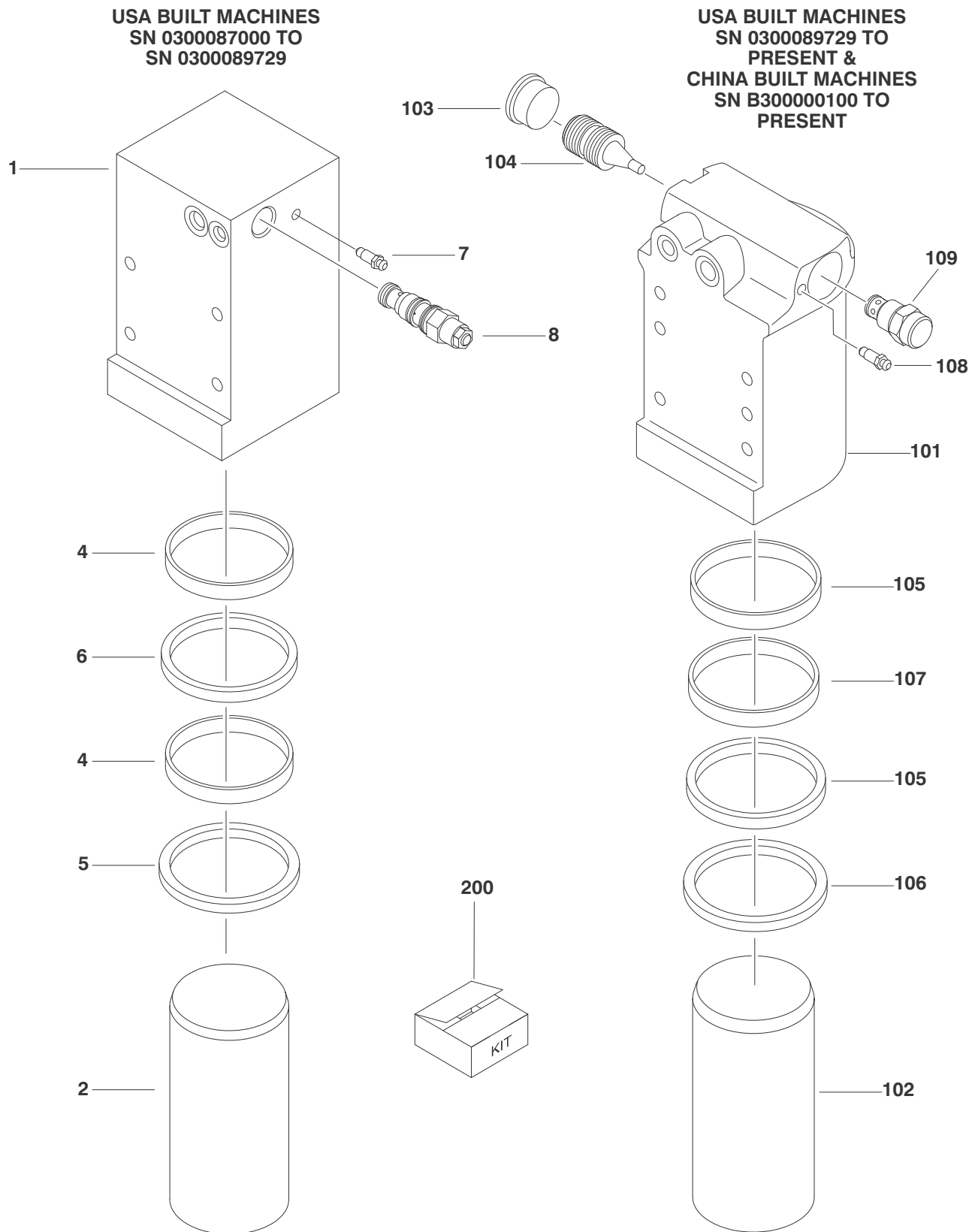
FIGURE 4-8. PLATFORM BUMPER PADDING INSTALLATIONS (OPTIONAL) (CONTINUED)

ITEM #	PART NUMBER	QTY.	DESCRIPTION	REV.

SECTION 5 CYLINDER

SECTION 5 CYLINDER

FIGURE 5-1. AXLE LOCKOUT CYLINDER ASSEMBLY



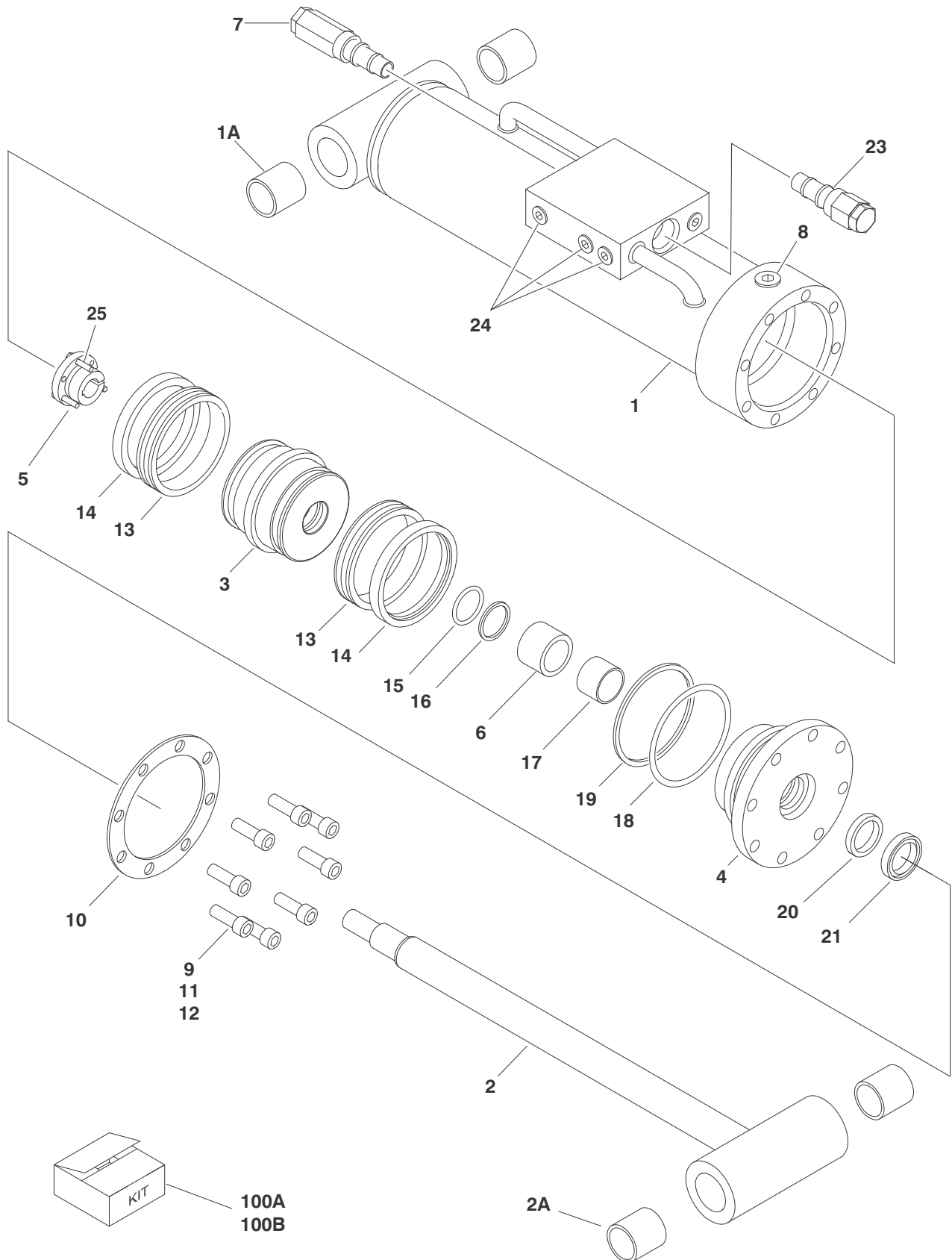
SECTION 5 CYLINDER

FIGURE 5-1. AXLE LOCKOUT CYLINDER ASSEMBLY

ITEM #	PART NUMBER	QTY.	DESCRIPTION	REV.
	1684280	Ref	AXLE LOCKOUT CYLINDER ASSEMBLY (USA BUILT MACHINES SN 0300087000 TO SN 0300089729)	F
1	1684289	1	Barrel	
2	1684290	1	Rod	
3	Not Used			
4	Use 2902266	2	Ring, Wear	
5	Use 2902266	1	Wiper	
6	Use 2902266	1	Seal, Rod	
7	4640476	1	Bleeder	
8	4641319	1	Cartridge, Valve	
	7024879	1	Seal Kit - 4641319 Cartridge	
	1684465	Ref	AXLE LOCKOUT CYLINDER ASSEMBLY (USA BUILT MACHINES SN 0300089729 TO SN 0300171769 & CHINA BUILT MACHINES SN B300000100 TO PRESENT)	G
101	0370026	1	Barrel	
102	1684290	1	Rod	
103	2220890	1	Plug	
104	3480288	1	Piston, Pilot	
105	Use 2902266	2	Ring, Wear	
106	Use 2902266	1	Wiper	
107	Use 2902266	1	Seal, Rod	
108	4640858	1	Bleeder	
109	4641390	1	Cartridge, Valve	
	7017496	1	Seal Kit - 4641390 Cartridge	
		Ref	SEAL KIT OPTIONS	
200	2902266	1	Seal Kit (Includes Items 4-6 or 105-107. Seals are the same)	

SECTION 5 CYLINDER

FIGURE 5-2. PLATFORM LEVEL SLAVE CYLINDER ASSEMBLY



SECTION 5 CYLINDER

FIGURE 5-2. PLATFORM LEVEL SLAVE CYLINDER ASSEMBLY

ITEM #	PART NUMBER	QTY.	DESCRIPTION	REV.
	1683415	Ref	PLATFORM LEVEL CYLINDER ASSEMBLY - 600S	G
	1683418	Ref	PLATFORM LEVEL CYLINDER ASSEMBLY - 600SJ & 660SJ	I
		Ref	Note: 600S Only China Built Machines SN B300000817 to SN B300000859 use cylinder p/n 1001140591. For replacement components contact JLG Parts Dept.	
1	1683977 1683952	1	Barrel Weldment 600S (Note: Includes Item 1A) 600SJ & 660SJ (Note: Item 1A not included - Purchase Separately)	
1A	0961947 0961951	2	Bushing Options: 600S - Garmax 600SJ & 660SJ - Composite	
2	1683976 1683963	1	Rod Weldment Options: 600S (Note: Includes Item 2A) 600SJ & 660SJ (Note: Item 1A not included - Purchase Separately)	
2A	0961947 0961951	2	Bushing, Garmax Options: 600S - Garmax 600SJ & 660SJ - Composite	
3	3480210 3480188	1	Piston Options: 600S 600SJ & 660SJ	
4	1683053 1683055	1	Head Options: 600S 600SJ & 660SJ	
5	0961893 0961894	1	Bushing, Tapered (Includes Item 25) Options: 600S 600SJ & 660SJ	
6	4566468	1	Spacer	
7	4640509 2900792	1 1	Cartridge, Valve Seal Kit - 4640509 Valve	
8	2220885	1	Plug, O-Ring	
9	3931516 3931620	8	Capscrew, Socket Head Options: 600S - Capscrew 5/16in-18NC x 1in 600SJ & 660SJ - Capscrew 3/8in-16NC x 1-1/4in	
10	3760368 3760369	1	Ring, Washer Options: 600S 600SJ & 660SJ	
11	0100011	AR	Compound, Locking	
12	0100038	AR	Primer, Locking	
13	See Note	2	Seal (Note: Use Item 100A or 100B)	
14	See Note	2	Ring, Lock (Note: Use Item 100A or 100B)	
15	See Note	1	O-Ring (Note: Use Item 100A or 100B)	
16	See Note	1	Ring, Back-up (Note: Use Item 100A or 100B)	
17	See Note	1	Ring, Wear (Note: Use Item 100A or 100B)	
18	See Note	1	O-Ring (Note: Use Item 100A or 100B)	
19	See Note	1	Ring, Back-up (Note: Use Item 100A or 100B)	
20	See Note	1	Seal, Rod (Note: Use Item 100A or 100B)	
21	See Note	1	Wiper (Note: Use Item 100A or 100B)	

SECTION 5 CYLINDER

FIGURE 5-2. PLATFORM LEVEL SLAVE CYLINDER ASSEMBLY (CONTINUED)

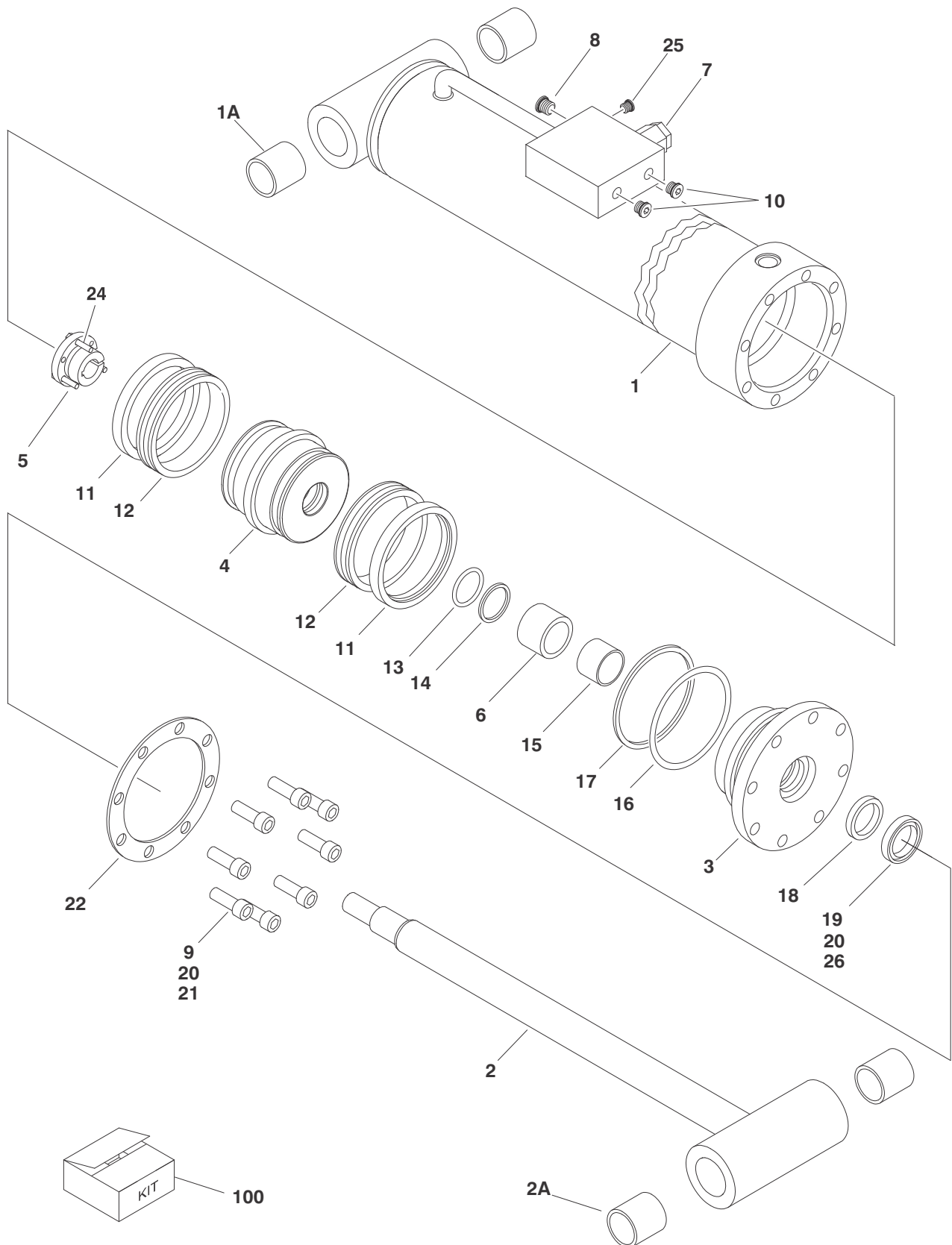
ITEM #	PART NUMBER	QTY.	DESCRIPTION	REV.
22	Not Used			
23	4640932	1	Cartridge, Valve	
	7011112	1	Seal Kit - 4640932 Valve	
24	2220883	8	Plug, O-Ring	
25		3	Bolt Options:	
	0630534		600S - Bolt #10-24NC x 1in	
	0630535		600SJ & 660SJ - Bolt 1/4in-20NC x 1-1/8in	
100		1	Seal Kit Options (Includes Items 13-21):	
100A	2901303		600S Seal Kit	
100B	2901301		600SJ & 660SJ Seal Kit	

FIGURE 5-2. PLATFORM LEVEL SLAVE CYLINDER ASSEMBLY (CONTINUED)

ITEM #	PART NUMBER	QTY.	DESCRIPTION	REV.

SECTION 5 CYLINDER

FIGURE 5-3. MAIN LIFT CYLINDER ASSEMBLY



SECTION 5 CYLINDER

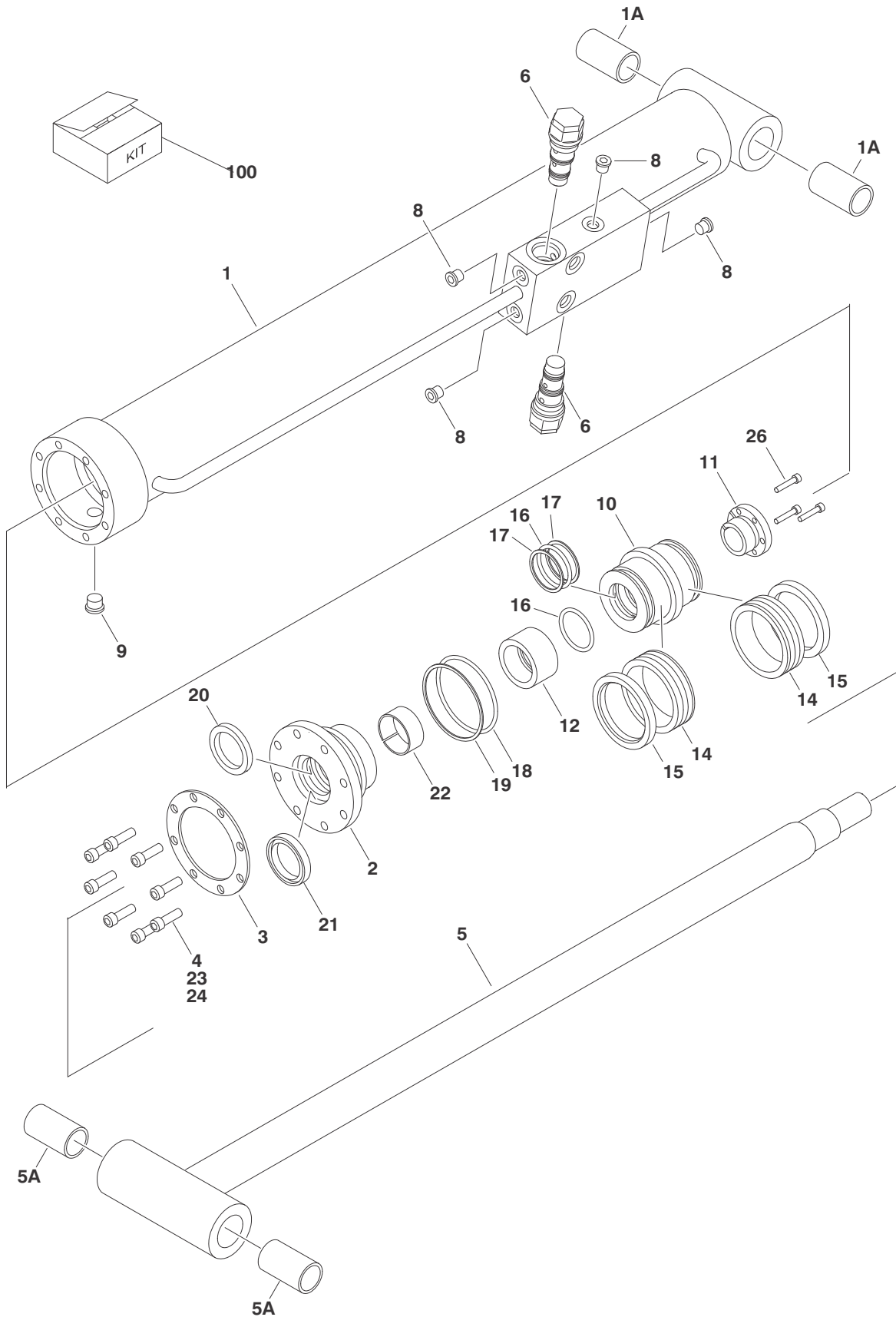
FIGURE 5-3. MAIN LIFT CYLINDER ASSEMBLY

ITEM #	PART NUMBER	QTY.	DESCRIPTION	REV.
		Ref	Note: Original Equipment Cylinder may have been replaced with Service Replacement Cylinder. Identify p/n stamped on cylinder before ordering parts.	
	1683666	Ref	MAIN LIFT CYLINDER ASSEMBLY OPTIONS: USA Built Machines SN 0300087000 to SN 0300138402 USA Built Machines SN 0300138402 to SN 0300171769 China Built Machines SN B300000100 to Present Note: For complete service replacement of p/n 1683666 order p/n 1001112468.	H
	1001112468	Ref		B
	1001112468	Ref		B
		Ref		
		Ref		
1	Use 1001112467	1	Barrel Weldment Options: USA Built Machines SN 0300087000 to SN 0300138402 (was p/n 1683955) USA Built Machines SN 0300138402 to SN 0300171769 China Built Machines SN B300000100 to Present	
	1001112467			
	1001112467			
1A	0961950	2	Bushing, Composite	
2	1683954	1	Rod Weldment	
2A	0961950	2	Bushing, Composite	
3	1683067	1	Head	
4	3480206	1	Piston	
5	0961898	1	Bushing, Tapered (Use item #24 in place of supplied bolts)	
6	4566501	1	Spacer, Tube	
7	4640509	1	Cartridge, Valve	
	2900792	1	Seal Kit - 4640509 Valve	
8	2220887	1	Plug, O-Ring	
9	3932032	8	Bolt, Socket Head 5/16in-11NC x 2in	
10	2220883	2	Plug, O-Ring	
11	Use 2901285	2	Ring, Lock	
12	Use 2901285	2	Seal, Hydrolock	
13	Use 2901285	1	O-Ring	
14	Use 2901285	2	Ring, Back-up	
15	Use 2901285	1	Ring, Wear	
16	Use 2901285	1	O-Ring	
17	Use 2901285	1	Ring, Back-up	
18	Use 2901285	1	Seal, Rod	
19	Use 2901285	1	Wiper	
20	0100011	AR	Compound, Locking	
21	0100038	AR	Primer, Locking	
22	3760372	1	Washer, Ring	
23	Not Used			
24	0630536	3	Screw, Socket Head 3/8in-16NC x 1-1/2in	
25	2220235	1	Plug, O-Ring	
26	0100063	AR	Loctite #609 (SN 0300087000 to SN 0300090183)	

100	2901285	1	Seal Kit - 1683666 & 1001112468 Cylinder (Includes Items 11-19)	

SECTION 5 CYLINDER

FIGURE 5-4. JIB LIFT CYLINDER ASSEMBLY - 600SJ & 660SJ



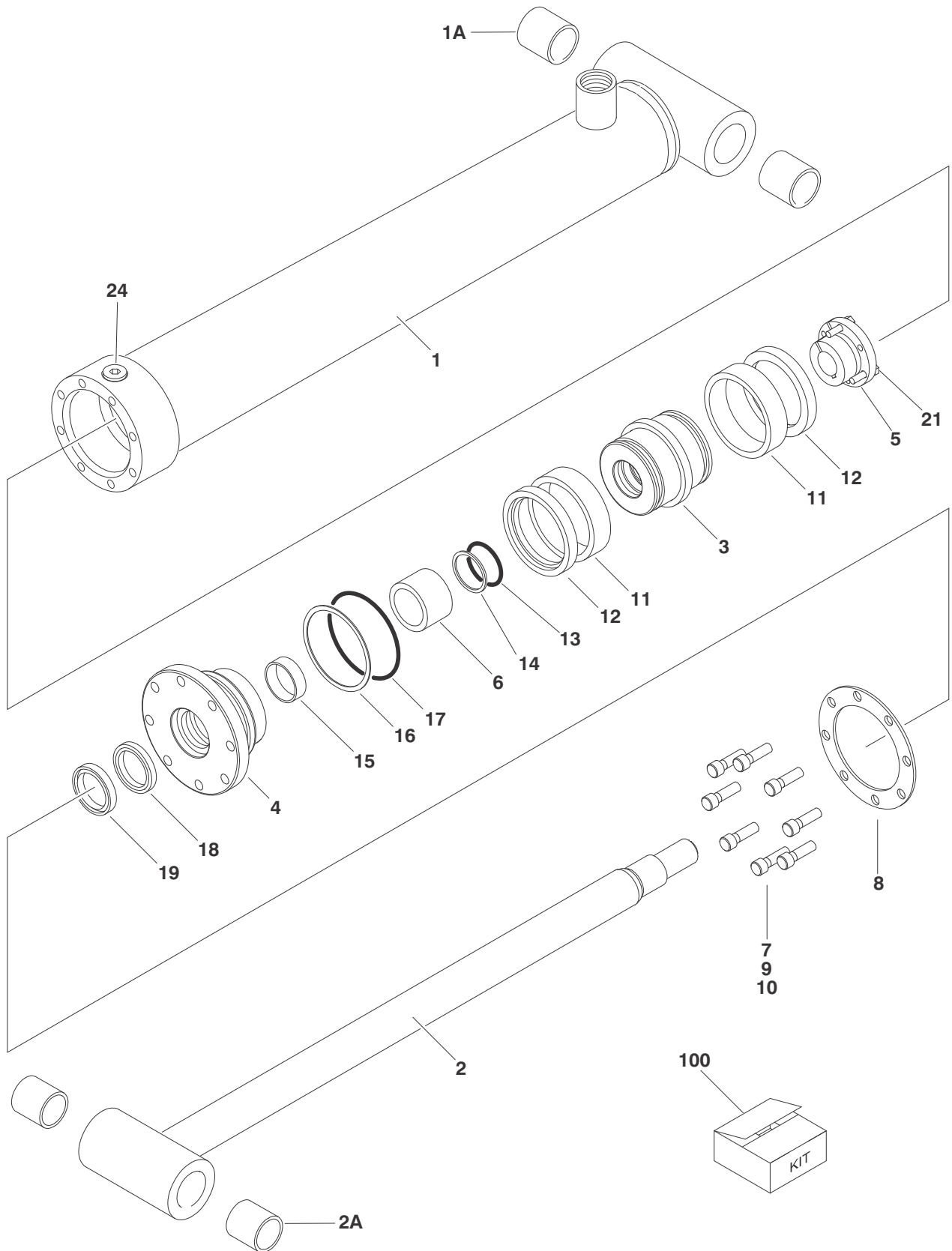
SECTION 5 CYLINDER

FIGURE 5-4. JIB LIFT CYLINDER ASSEMBLY - 600SJ & 660SJ

ITEM #	PART NUMBER	QTY.	DESCRIPTION	REV.
	1683609	Ref	JIB LIFT CYLINDER ASSEMBLY	K
1	1684089	1	Barrel	
1A	0962336	2	Bushing	
2	1683053	1	Head	
3	3760368	1	Ring, Washer	
4	3931516	8	Capscrew, Socket Head 5/16in-18NC x 1in	
5	1684090	1	Rod	
5A	0962336	2	Bushing	
6	4640509	2	Cartridge, Valve	
	2900792	2	Seal Kit - 4640509 Valve	
7	Not Used			
8	2220883	2	Plug, O-Ring #4	
9	2220885	1	Plug, O-Ring #6	
10	3480210	1	Piston	
11	0961893	1	Bushing, Tapered	
12	4100100	1	Spacer, Tube	
13	Not Used			
14	Use 2901303	2	Seal	
15	Use 2901303	2	Ring, Lock	
16	Use 2901303	2	O-Ring	
17	Use 2901303	2	Ring, Back-Up	
18	Use 2901303	1	O-Ring	
19	Use 2901303	1	Ring, Back-Up	
20	Use 2901303	1	Seal, Rod	
21	Use 2901303	1	Wiper	
22	Use 2901303	1	Ring, Wear	
23	0100011	AR	Compound, Locking	
24	0100038	AR	Primer, Locking	
25	Not Used			
26	0630534	3	Bolt #10-24NC x 1in	
100	2901303	1	----- Seal Kit (Includes Items 14-22)	

SECTION 5 CYLINDER

FIGURE 5-5. MASTER CYLINDER ASSEMBLIES



SECTION 5 CYLINDER

FIGURE 5-5. MASTER CYLINDER ASSEMBLIES

ITEM #	PART NUMBER	QTY.	DESCRIPTION	REV.
		Ref	MASTER CYLINDER ASSEMBLIES	
		Ref	600S:	
	1683266	Ref	USA Built Machines SN 0300087000 to SN 0300096979	F
	1684414	Ref	USA Built Machines SN 0300096979 to SN 0300171769	E
	1684414	Ref	China Built Machines SN B300000100 to Present	E
		Ref	Note: 600S Only China Built Machines SN B300000817 to SN B300000859 use cylinder p/n 1001140593. For replacement components contact JLG Parts Dept.	
		Ref	600SJ/660SJ:	
	1683263	Ref	USA Built Machines SN 0300087000 to SN 0300096979	K
	1684413	Ref	USA Built Machines SN 0300096979 to SN 0300171769	H
	1684413	Ref	China Built Machines SN B300000100 to Present	H
1		1	Barrel Options:	
	1683972		600S (Note: Includes Item 1A)	
	1683949		600SJ/660SJ (Note: Item 1A not included - Purchase Separately)	
1A		2	Bushing Options:	
	0961947		600S Bushing	
	0961951		600SJ/660SJ Bushing	
2		1	Rod Options:	
	1683973		600S Rod (Note: Includes Item 2A):	
	3850020		USA Built Machines SN0300087000 to SN 0300096979	
	3850020		USA Built Machines SN 0300096979 to SN0300171769	
			China Built Machines SN B300000100 to Present	
			600SJ/660SJ (Note: Item 2A not included - Purchase Separately):	
	1683962		USA Built Machines SN0300087000 to SN 0300096979	
	Use 1683963		USA Built Machines SN 0300096979 to SN 0300131102) (was p/n 3850019)	
	1683963		USA Built Machines SN 0300131102 to SN0300171769	
	1683963		China Built Machines SN B300000100 to Present	
2A		2	Bushing Options:	
	0961947		600S Bushing	
	0961951		600SJ/660SJ Bushing	
3		1	Piston Options:	
	3480210		600S	
	3480188		600SJ/660SJ	
4		1	Head Options:	
	1683053		600S	
	1683055		600SJ/660SJ	
5		1	Bushing, Tapered Options:	
	0961893		600S	
	0961894		600SJ/660SJ	
6	4566468	1	Spacer, Tube	
7		8	Capscrew Options:	
	3931516		600S - Capscrew 5/16in-18NC x 1in	
	3931620		600SJ/660SJ - Capscrew 3/8in-16NC x 1-1/4in	

SECTION 5 CYLINDER

FIGURE 5-5. MASTER CYLINDER ASSEMBLIES (CONTINUED)

ITEM #	PART NUMBER	QTY.	DESCRIPTION	REV.
8		1	Ring, Washer Options: 600S	
	3760368		600SJ/660SJ	
9	0100011	AR	Compound, Locking	
10	0100038	AR	Primer, Locking	
11	See Note	2	Seal (Note: Use Item 100A or 100B)	
12	See Note	2	Ring, Lock (Note: Use Item 100A or 100B)	
13	See Note	1	O-Ring (Note: Use Item 100A or 100B)	
14	See Note	1	Ring, Back-up (Note: Use Item 100A or 100B)	
15	See Note	1	Ring, Wear (Note: Use Item 100A or 100B)	
16	See Note	1	O-Ring (Note: Use Item 100A or 100B)	
17	See Note	1	Ring, Back-up (Note: Use Item 100A or 100B)	
18	See Note	1	Seal, Rod (Note: Use Item 100A or 100B)	
19	See Note	1	Wiper (Note: Use Item 100A or 100B)	
20	Not Used			
21		3	Screw Options: 600S - Screw, Socket Head #10-24NC x 1in 600SJ/660SJ - Screw, Socket Head 1/4in-20NC x 1-1/8in	
	0630534			
	0630535			
22 to 23	Not Used			
24	2220885	1	Fitting, Plug (600SJ/660SJ - 1683263 Cylinder Only)	
100		1	Seal Kit (Includes Items 11-19)	
100A	2901303		600S Seal Kit	
100B	2901301		600SJ/660SJ Seal Kit	

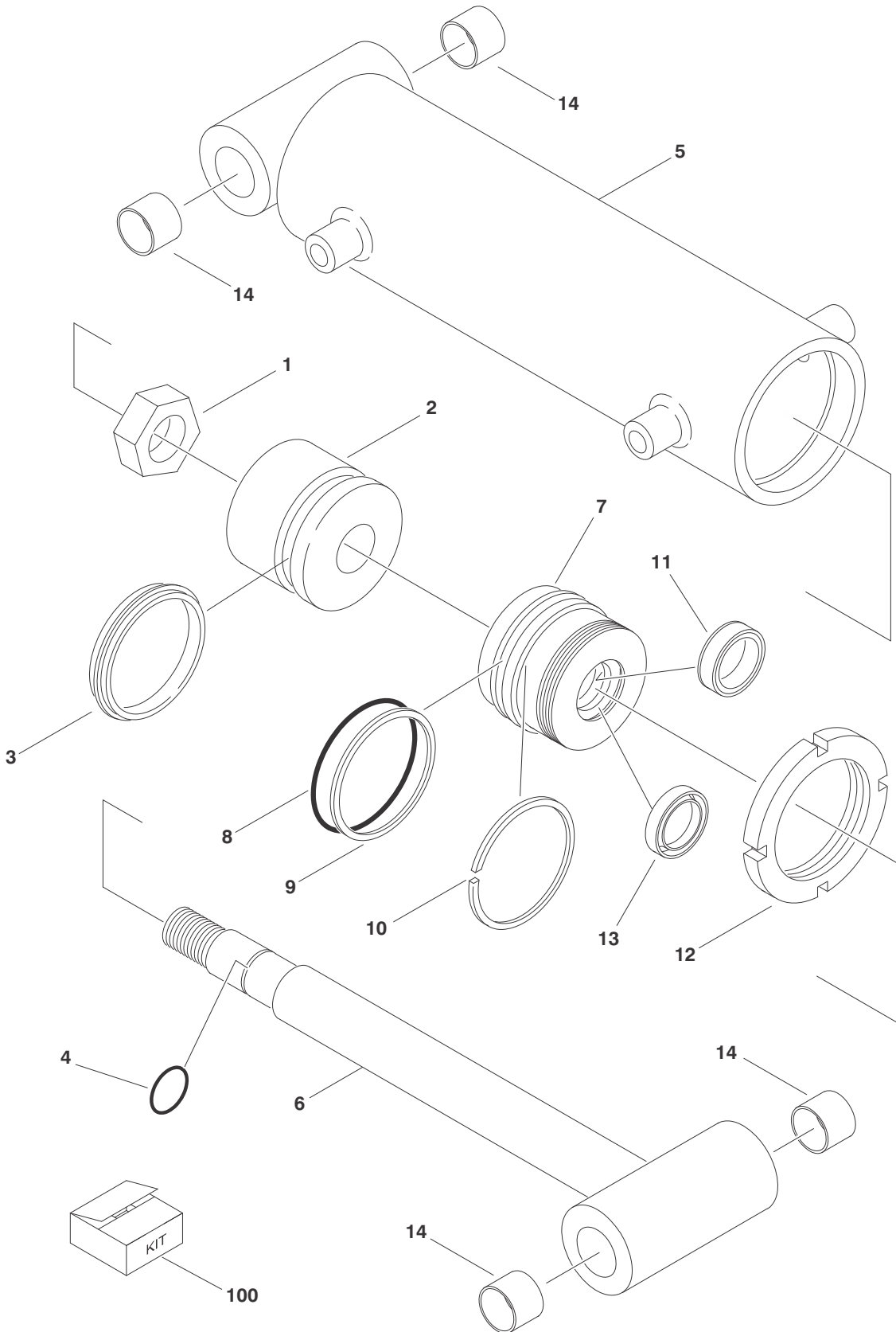
SECTION 5 CYLINDER

FIGURE 5-5. MASTER CYLINDER ASSEMBLIES (CONTINUED)

ITEM #	PART NUMBER	QTY.	DESCRIPTION	REV.

SECTION 5 CYLINDER

FIGURE 5-6. STEER CYLINDER ASSEMBLY (USA BUILT MACHINES SN 0300087000 TO SN 0300142635)



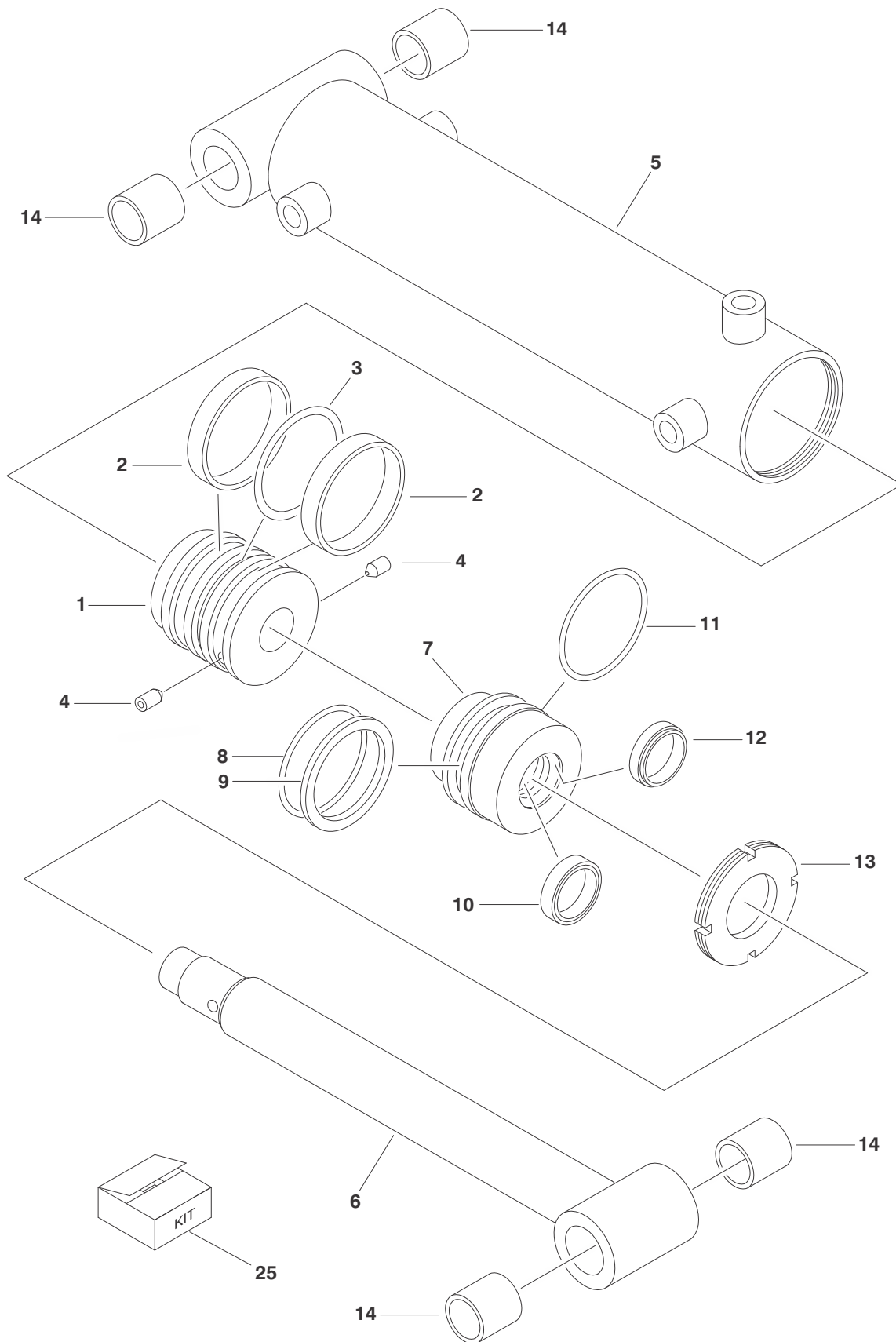
SECTION 5 CYLINDER

FIGURE 5-6. STEER CYLINDER ASSEMBLY (USA BUILT MACHINES SN 0300087000 TO SN 0300142635)

ITEM #	PART NUMBER	QTY.	DESCRIPTION	REV.
	1683208	Ref	STEER CYLINDER ASSEMBLY	C
1	7001626	1	Locknut	
2	7001627	1	Piston	
3	Use 7001625	1	Seal	
4	Use 7001625	1	O-Ring	
5	See Note	1	Barrel Weldment (Note: Not Available - Purchase Complete Steer Cylinder Assembly.)	
6	7001633	1	Rod Weldment	
7	7001629	1	Head	
8	Use 7001625	1	O-Ring	
9	Use 7001625	1	Ring, Back-up	
10	Use 7001625	1	Ring, Retainer	
11	Use 7001625	1	Seal, Lip	
12	7001630	1	Nut, Spanner	
13	Use 7001625	1	Wiper	
14	0961977	4	Bushings	
100	7001625	1	Seal Kit - 1683208 (Includes Items 3, 4, 8-11 & 13)	

SECTION 5 CYLINDER

FIGURE 5-7. STEER CYLINDER ASSEMBLY (USA BUILT MACHINES SN 0300142635 TO SN 0300171769 & CHINA BUILT MACHINES SN B300000100 TO PRESENT)



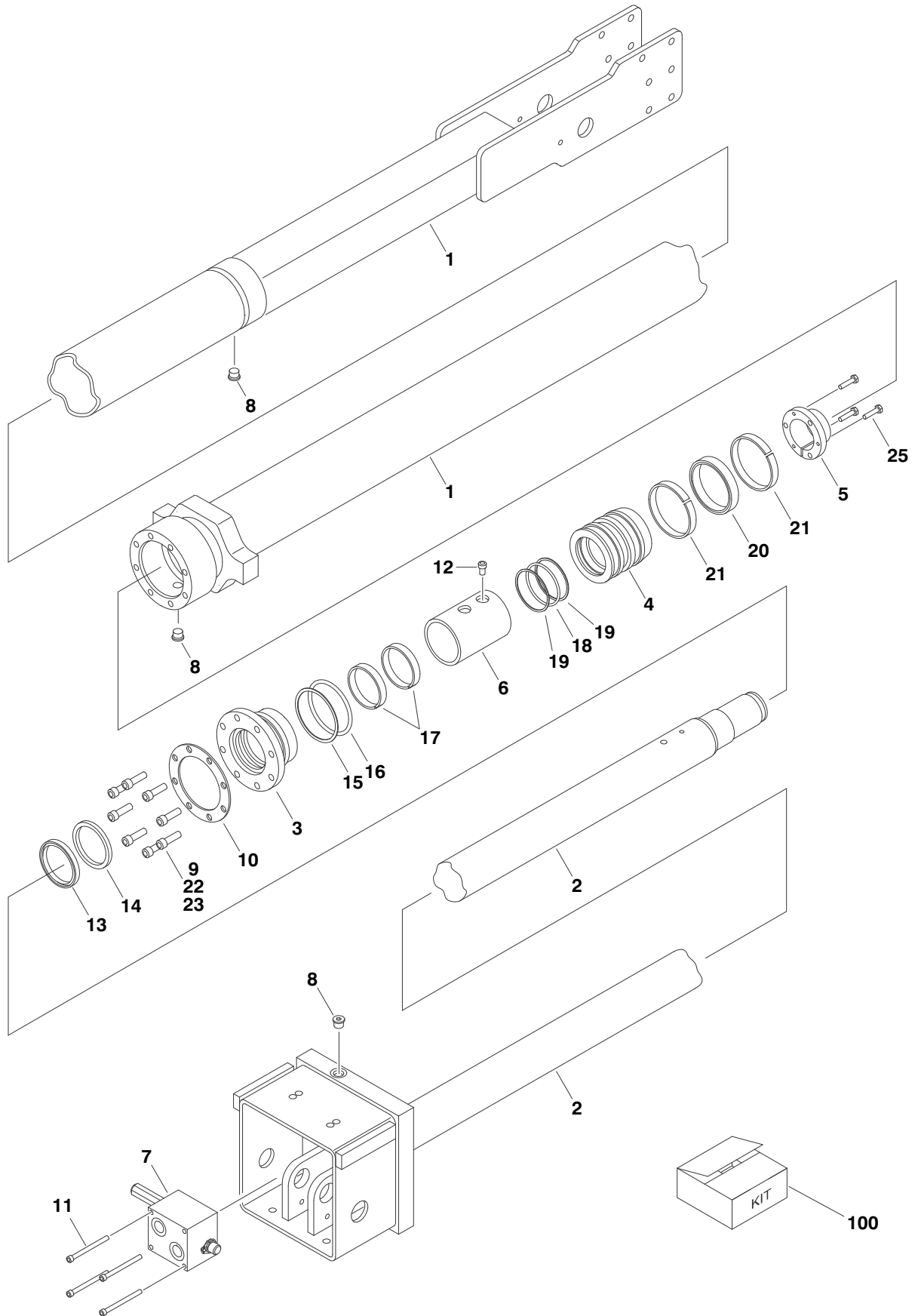
SECTION 5 CYLINDER

FIGURE 5-7. STEER CYLINDER ASSEMBLY (USA BUILT MACHINES SN 0300142635 TO SN 0300171769 & CHINA BUILT MACHINES SN B300000100 TO PRESENT)

ITEM #	PART NUMBER	QTY.	DESCRIPTION	REV.
		Ref	STEER CYLINDER ASSEMBLIES	
	See Previous Figure	Ref	USA Built Machines SN 0300087000 to SN 0300142635	
	1001097242	Ref	USA Built Machines SN SN 0300142635 to SN 0300171769	A
	1001097242	Ref	China Built Machines SN B300000100 to Present	A
1	70002752	1	Piston	
	0100011	AR	Compound, Locking	
	0100038	AR	Primer, Locking	
2	Use 70002757	2	Seal	
3	Use 70002757	1	O-Ring	
4	70002745	2	Setscrew	
5	70002753	1	Barrel	
6	70002754	1	Rod	
7	70002755	1	Head	
8	Use 70002757	1	O-Ring	
9	Use 70002757	1	Ring, Back-Up	
10	Use 70002757	1	Seal	
11	Use 70002757	1	O-Ring	
12	Use 70002757	1	Wiper	
13	70002756	1	Nut, Spanner	
	0100011	AR	Compound, Locking	
	0100038	AR	Primer, Locking	
14	0962356	4	Bushing	
15 to 24	Not Used			
25	70002757	1	----- Seal Kit (Includes Items 2, 3 and 8-12)	

SECTION 5 CYLINDER

FIGURE 5-8. TELESCOPE CYLINDER ASSEMBLIES



SECTION 5 CYLINDER

FIGURE 5-8. TELESCOPE CYLINDER ASSEMBLIES

ITEM #	PART NUMBER	QTY.	DESCRIPTION	REV.
		Ref	TELESCOPE CYLINDER ASSEMBLIES	
	1683618	Ref	600S & 660SJ	3/G
	1683620	Ref	600SJ	F
1		1	Barrel Options:	
	1683619		600S & 660SJ	
	1683621		600SJ	
2		1	Rod Options:	
	1683250		600S & 660SJ	
	1683359		600SJ	
3	1683057	1	Head	
4	3480205	1	Piston	
5	0961897	1	Bushing, Tapered	
6	4566644	1	Spacer, Tube	
7	4641028	1	Valve Assembly (No serviceable parts - sold as assembly only)	
	7024397	2	O-Rings Between Valve Block & Cylinder	
8	2220885	6	Plug, O-Ring	
9	3931620	8	Capscrew 3/8in-16NC x 1-1/4in	
10	3760369	1	Ring, Washer	
11	3931448	4	Capscrew 1/4in-20NC x 3in	
12	3931508	1	Capscrew 5/16in-18NC x 1/2in	
13	Use 2901284	1	Wiper	
14	Use 2901284	1	Seal, Rod	
15	Use 2901284	1	O-Ring	
16	Use 2901284	1	Ring, Back-up	
17	Use 2901284	2	Ring, Wear	
18	Use 2901284	1	O-Ring	
19	Use 2901284	2	Ring, Back-up	
20	Use 2901284	1	T-Seal	
21	Use 2901284	2	Ring, Wear	
22	0100011	AR	Compound, Locking	
23	0100038	AR	Primer, Locking	
24	Not Used			
25	0630535	3	Bolt 1/4in-20NC x 1-1/8in	

100	2901284	1	Seal Kit (Includes Items 13-21)	

SECTION 5 CYLINDER

FIGURE 5-8. TELESCOPE CYLINDER ASSEMBLIES (CONTINUED)

ITEM #	PART NUMBER	QTY.	DESCRIPTION	REV.

SECTION 6 HYDRAULIC

SECTION 6 HYDRAULIC

FIGURE 6-1. HYDRAULIC DIAGRAM - DRIVE & STEER (2WD/2WS)

ITEM #	PART NUMBER	QTY.	DESCRIPTION	REV.
		Ref	Note: 2WD Only Available on USA Built Machines	
	2792616	Ref	DRIVE & STEER HYDRAULIC DIAGRAM - 2WD/2WS	5/O
1	2220362	1	Fitting, Tee	
2	2220371	3	Fitting, Straight	
3	2220373	5	Fitting, Straight	
4	Not Used			
5	2220377	3	Fitting, Straight	
6	2220415	2	Fitting, Straight	
7	2220451	6	Fitting, Straight	
8	2220473	4	Fitting, 90	
9	2220504	2	Fitting, Tee	
10	2220582	3	Fitting, Straight	
11	2221170	1	Fitting, Tee	
12	2220606	2	Fitting, Tee	
13	Not Used			
14	2220307	2	Fitting, Plug	
15	Not Used			
16	4641307	1	Valve, Check	
17	Not Used			
18	2753925	2	Hose	
19	2753924	1	Hose	
20 to 23	Not Used			
24	2752592	2	Hose	
25	2752910	1	Hose	
26	2752478	1	Hose	
27	2752632	1	Hose	
28	2753397	2	Hose	
29	2752475	1	Hose	
30	2752611	1	Hose	
31	2752928	1	Hose	
32	2753929	2	Hose	
33	2752929	1	Hose	
34	2753969	2	Hose	
35	2753967	2	Hose	
36	2752341	1	Hose	
37	2753435	1	Hose	
38		1	Fitting, Straight Options:	
	2220371		SN 0300087000 to SN 0300104456	
	2220998		SN 0300104456 to SN 0300171769	

SECTION 6 HYDRAULIC

FIGURE 6-2. HYDRAULIC DIAGRAM - DRIVE & STEER (4WD/2WS)

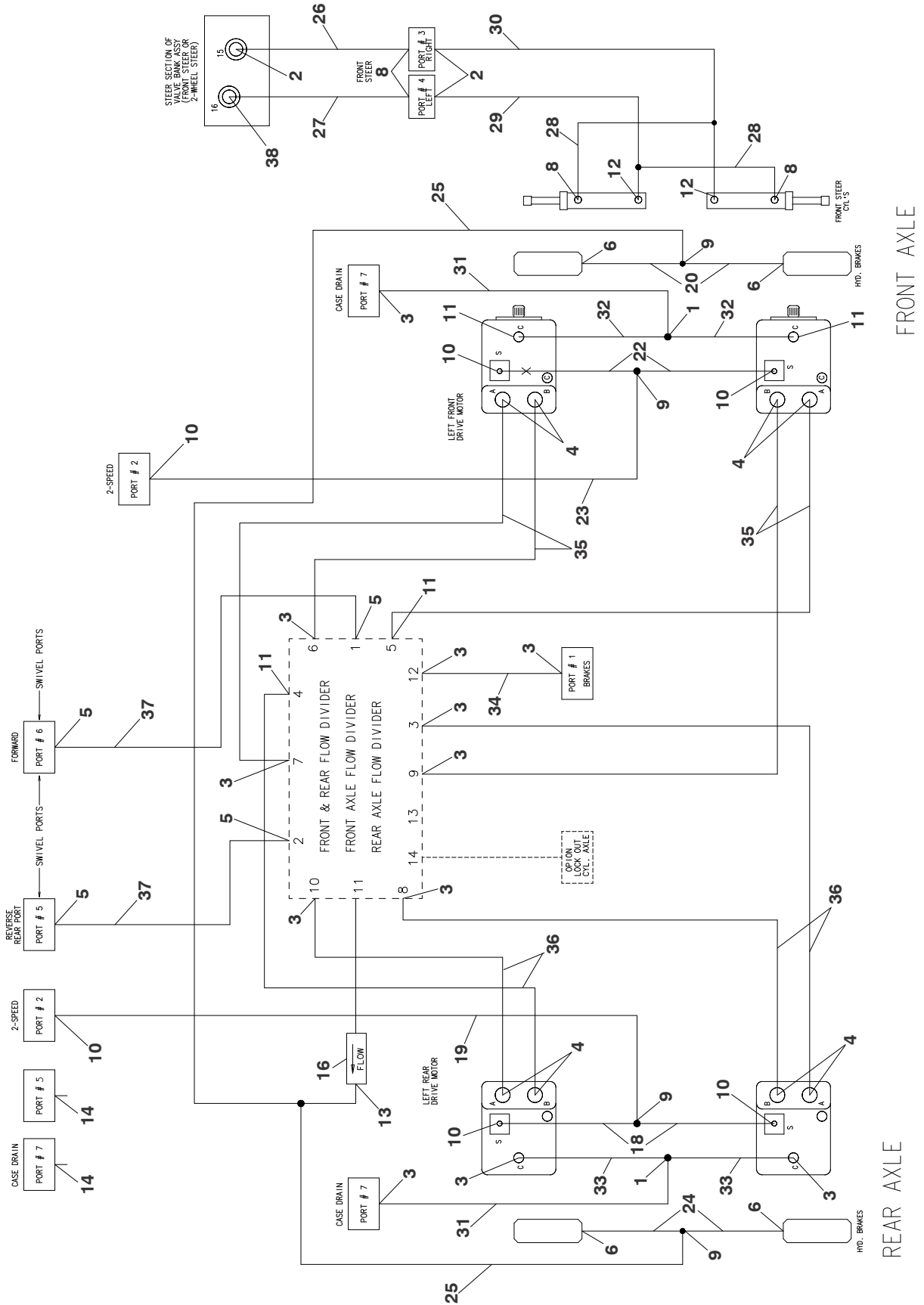


FIGURE 6-2. HYDRAULIC DIAGRAM - DRIVE & STEER (4WD/2WS)

ITEM #	PART NUMBER	QTY.	DESCRIPTION	REV.
		Ref	DRIVE & STEER HYDRAULIC DIAGRAM - 4WD/2WS	
	2792607	Ref	USA Built Machines	B/O
	1001114074	Ref	China Built Machines	1/A
1	2220362	2	Fitting, Tee	
2	2220371	3	Fitting, Straight	
3	2220373	12	Fitting, Straight	
4	2220375	8	Fitting, Straight	
5	2220377	4	Fitting, Straight	
6	2220415	4	Fitting, Straight	
7	Not Used			
8	2220473	4	Fitting, 90	
9	2220504	4	Fitting, Tee	
10	2220582	6	Fitting, Straight	
11	2220596	4	Fitting, 90	
12	2220606	2	Fitting, Tee	
13	2220861	1	Fitting, Tee	
14	2220237	2	Plug	
15	Not Used			
16	4641284	1	Valve, Check	
17	Not Used			
18		2	Hose Options:	
	2753925		USA Built Machines	
	1001113864		China Built Machines	
19		1	Hose Options:	
	2753924		USA Built Machines	
	1001113862		China Built Machines	
20		2	Hose Options:	
	2753926		USA Built Machines	
	1001113866		China Built Machines	
21	Not Used			
22		2	Hose Options:	
	2752574		USA Built Machines	
	1001113805		China Built Machines	
23		1	Hose Options:	
	2752977		USA Built Machines	
	1001113838		China Built Machines	
24		2	Hose Options:	
	2752592		USA Built Machines	
	1001113809		China Built Machines	
25		1	Hose Options:	
	2752910		USA Built Machines	
	1001113890		China Built Machines	
26		1	Hose Options:	
	2752478		USA Built Machines	
	1001113794		China Built Machines	
27		1	Hose Options:	
	2752632		USA Built Machines	
	1001113838		China Built Machines	

SECTION 6 HYDRAULIC

FIGURE 6-2. HYDRAULIC DIAGRAM - DRIVE & STEER (4WD/2WS) (CONTINUED)

ITEM #	PART NUMBER	QTY.	DESCRIPTION	REV.
28	2753397 1001113854	2	Hose Options: USA Built Machines China Built Machines	
29	2752475 1001113793	1	Hose Options: USA Built Machines China Built Machines	
30	2752611 1001113818	1	Hose Options: USA Built Machines China Built Machines	
31	2752928 1001113835	2	Hose Options: USA Built Machines China Built Machines	
32	2753928 1001113868	2	Hose Options: USA Built Machines China Built Machines	
33	2753929 1001113878	2	Hose Options: USA Built Machines China Built Machines	
34	2752929 1001113836	1	Hose Options: USA Built Machines China Built Machines	
35	2753931 1001113895	4	Hose Options: USA Built Machines China Built Machines	
36	2753930 1001113894	4	Hose Options: USA Built Machines China Built Machines	
37	2752331 1001113898	2	Hose Options: USA Built Machines China Built Machines	
38	2220371 2220998 2220998	1	Fitting, Straight Options: USA Built Machines SN 0300087000 to SN 0300104456 USA Built Machines SN 0300104456 to SN 0300171769 China Built Machines SN B300000100 to Present	

SECTION 6 HYDRAULIC

FIGURE 6-2. HYDRAULIC DIAGRAM - DRIVE & STEER (4WD/2WS) (CONTINUED)

ITEM #	PART NUMBER	QTY.	DESCRIPTION	REV.

SECTION 6 HYDRAULIC

FIGURE 6-3. HYDRAULIC DIAGRAM - OSCILLATING AXLE

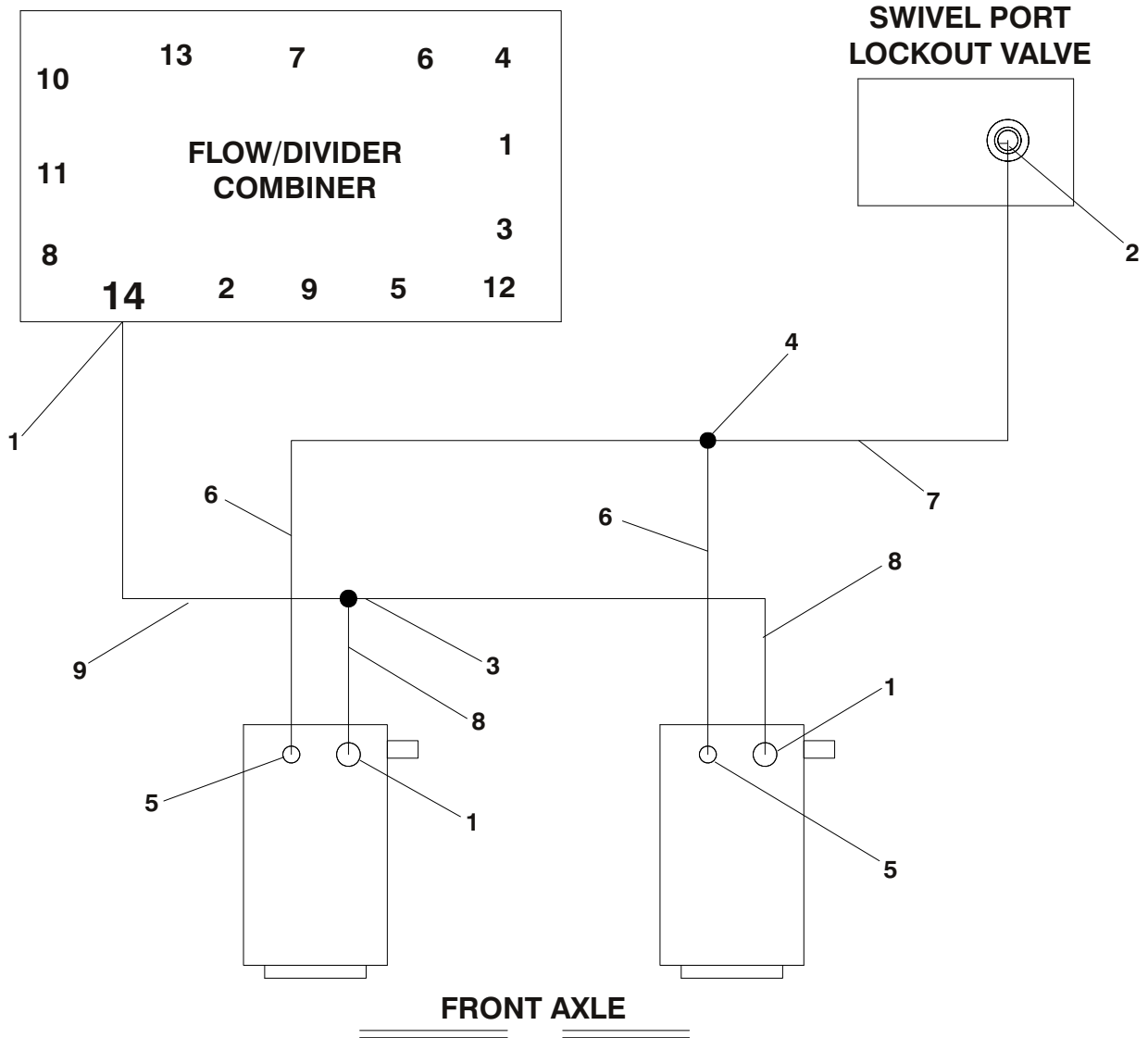


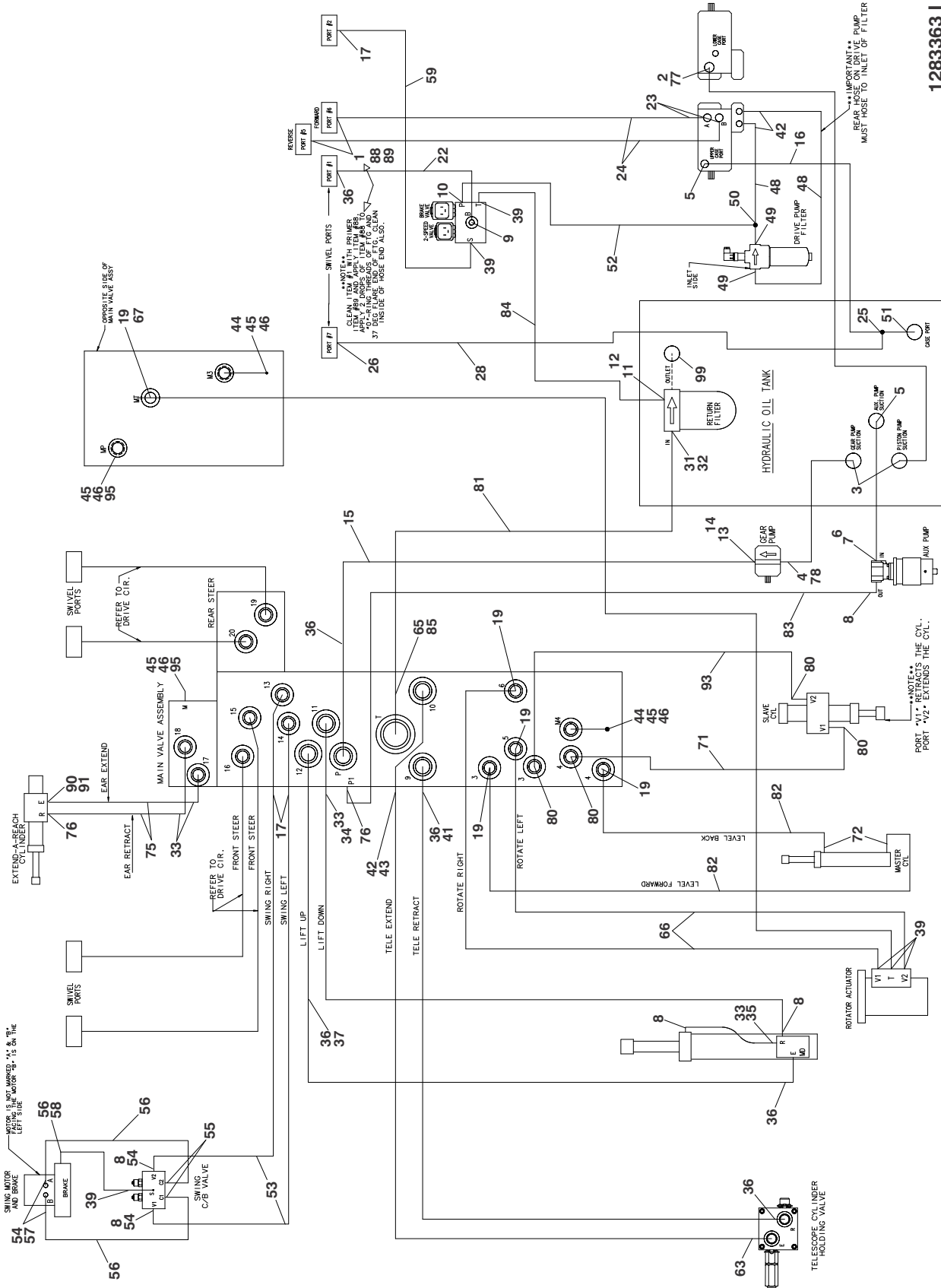
FIGURE 6-3. HYDRAULIC DIAGRAM - OSCILLATING AXLE

ITEM #	PART NUMBER	QTY.	DESCRIPTION	REV.
		Ref	AXLE LOCKOUT HYDRAULIC DIAGRAM - OSCILLATING AXLE	
	2792612	Ref	USA Built Machines	1/O
	1001114075	Ref	China Built Machines	1/A
1	2220371	3	Fitting, Straight	
2	2220468	1	Fitting, Straight	
3	2220490	1	Fitting, Tee	
4	2220504	1	Fitting, Tee	
5	2220415	2	Fitting, Straight	
6		2	Hose Options:	
	2751434		USA Built Machines	
	1001113914		China Built Machines	
7		1	Hose Options:	
	2751410		USA Built Machines	
	1001113913		China Built Machines	
8		2	Hose Options:	
	2753933		USA Built Machines	
	1001113879		China Built Machines	
9		1	Hose Options:	
	2752462		USA Built Machines	
	1001113789		China Built Machines	

SECTION 6 HYDRAULIC

FIGURE 6-4. HYDRAULIC DIAGRAM - STANDARD

USA BUILT MACHINES SN 0300087000 TO SN 0300137441



1283363 I

SECTION 6 HYDRAULIC

FIGURE 6-4. HYDRAULIC DIAGRAM - STANDARD

ITEM #	PART NUMBER	QTY.	DESCRIPTION	REV.
			STANDARD HYDRAULIC DIAGRAM	
		Ref		
		Ref	USA Built Machines	
	2792608	Ref	600S (SN 0300087000 to SN 0300166808)	B/O
	1001143450	Ref	600S (SN 0300166808 to SN 0300171769)	C
	2792614	Ref	600SJ	11/O
	2792613	Ref	660SJ (SN 0300087000 to SN 0300166808)	B/O
	1001143451	Ref	660SJ (SN 0300166808 to SN 0300171769)	C
		Ref	China Built Machines	
	1001114072	Ref	600S (SN B300000100 to SN B300000700)	1/B
	1001143455	Ref	600S (SN B300000700 to Present)	A
	1001114073	Ref	660SJ (SN B300000100 to SN B300000700)	1/B
	1001143456	Ref	660SJ (SN B300000700 to Present)	A
1	2220377	2	Fitting, Straight	
2		1	Hose Options:	
	2752752		USA Built Machines	
	1001113905		China Built Machines	
3	2220380	2	Fitting, Straight	
4	2220376	1	Fitting, Straight (Part of Pump Assembly)	
5	2220578	AR	Fitting, 90	
6		1	Hose Options:	
	2752653		USA Built Machines	
	1001113832		China Built Machines	
7		1	Fitting, Straight Options:	
	2220408		USA Built Machines SN 0300087000 to SN 0300166808 & China Built Machines SN B300000100 to SN B300000700	
	2220593		USA Built Machines SN 0300166808 to SN 0300171769 &China Built Machines SN B300000700 to Present	
8	2220628	AR	Fitting, 90	
9	2220596	1	Fitting, 90	
10	2220474	1	Fitting, 90	
11	2220574	1	Fitting, 90	
12	0100020	AR	Sealant, Pipe	
13	2220810	1	Fitting, Reducer (Part of Pump Assembly)	
14	4640744	1	Fitting, Check Valve (Part of Pump Assembly)	
15		1	Hose Options:	
	2752504		USA Built Machines	
	1001113798		China Built Machines	
16		1	Hose Options:	
	2752654		USA Built Machines	
	1001113907		China Built Machines	
17	2220582	AR	Fitting, Straight	
18	Not Used			
19	2220415	5	Fitting, Straight	
20 to 21	Not Used			

SECTION 6 HYDRAULIC

FIGURE 6-4. HYDRAULIC DIAGRAM - STANDARD (CONTINUED)

ITEM #	PART NUMBER	QTY.	DESCRIPTION	REV.
22	2752502 1001113797	1	Hose Options: USA Built Machines China Built Machines	
23	2220646	2	Fitting, 90(Part of Pump Assembly)	
24	2752340 1001113899	2	Hose Options: USA Built Machines China Built Machines	
25	2220407	1	Fitting, 90	
26	2220375	1	Fitting, Straight	
27	Not Used			
28	2753968 1001113896	1	Hose Options: USA Built Machines China Built Machines	
29 to 30	Not Used			
31	2220921	1	Fitting, Reducer	
32	2220498	1	Fitting, 45	
33	2220372	AR	Fitting, Straight	
34	2752631 1001113821	1	Hose Options: USA Built Machines China Built Machines	
35	2752632 1001113822	1	Hose Options: USA Built Machines China Built Machines	
36	2220373	6	Fitting, Straight	
37	2752515 1001113801	1	Hose Options: USA Built Machines China Built Machines	
38	Not Used			
39	2220466	AR	Fitting, 90	
40	Not Used			
41	2751474 1001113893	1	Hose Options: USA Built Machines China Built Machines	
42	2220947	AR	Fitting, Straight	
43	2752762 1001113833	1	Hose Options: USA Built Machines China Built Machines	
44	2220873	2	Fitting, Straight Nipple	
45	2220428	AR	Fitting, Quick Coupling	
46	2220429	AR	Fitting, Dust Cap	
47	2220618	1	Fitting, Reducer (USA Built Machines SN 0300087000 to SN 0300166419)	
48	2752763 1001113834	2	Hose Options: USA Built Machines China Built Machines	
49	2221042	2	Fitting, 90	
50	2220948	1	Fitting, Tee	
51	2220738	1	Fitting, Tee	

SECTION 6 HYDRAULIC

FIGURE 6-4. HYDRAULIC DIAGRAM - STANDARD (CONTINUED)

ITEM #	PART NUMBER	QTY.	DESCRIPTION	REV.
52	2753957 1001113880	1	Hose Options: USA Built Machines China Built Machines	
53	2752588 2752437 1001113807	2	Hose Options: USA Built Machines SN 0300087000 to SN 0300137441 USA Built Machines SN 0300137441 to SN 0300171769 China Built Machines SN B300000100 to Present	
54	2220609	AR	Fitting, Reducer (USA Built Machines SN 0300087000 to SN 0300137441)	
55	2220468	2	Fitting, Straight (USA Built Machines SN 0300087000 to SN 0300137441)	
56	2752981	3	Hose (USA Built Machines SN 0300087000 to SN 0300137441)	
57	2220497	2	Fitting, Straight (USA Built Machines SN 0300087000 to SN 0300137441)	
58	2220502	1	Fitting, 45 (USA Built Machines SN 0300087000 to SN 0300137441)	
59	2751396 1001113912	1	Hose Options: USA Built Machines China Built Machines	
60 to 62	Not Used			
63	2220950	1	Fitting, 45	
64	Not Used			
65	2220974	1	Fitting, Long Straight	
66	2752598 1001113813 2752596 1001113811	2	Hose Options: 600S & 600SJ USA Built Machines 600S & 600SJ China Built Machines 660SJ USA Built Machines 660SJ China Built Machines	
67	2752599 1001113814 2752597 1001113812	1	Hose Options: 600S & 600SJ USA Built Machines 600S & 600SJ China Built Machines 660SJ USA Built Machines 660SJ China Built Machines	
68 to 70	Not Used			
71	2752633 2751868 2753048 1001113823	AR	Hose Options: 600S & 660SJ USA Built Machines 600SJ USA Built Machines SN 0300087000 to SN 0300087912 600SJ USA Built Machines SN 0300087912 to SN 0300171769 600S/660SJ China Built Machines SN B300000100 to Present	
72	2220472	AR	Fitting, 90	
73 to 74	Not Used			
75	Not Required 2753048 2752633 1001113823	AR 0 2 2 2	Hose Options: 600S 600SJ USA Built Machines 660SJ USA Built Machines 660SJ China Built Machines	
76	2220473	AR	Fitting, 90	

SECTION 6 HYDRAULIC

FIGURE 6-4. HYDRAULIC DIAGRAM - STANDARD (CONTINUED)

ITEM #	PART NUMBER	QTY.	DESCRIPTION	REV.
77	2220479	1	Fitting, Straight (Part of Pump Assembly)	
78	2752753 1001113906	1	Hose Options: USA Built Machines China Built Machines	
79	Not Used			
80	2220603	4	Fitting, Straight	
81	2752783 1001113911	1	Hose Options: USA Built Machines China Built Machines	
82	2752591 1001113808	2	Hose Options: USA Built Machines China Built Machines	
83	2752643 1001113826	1	Hose Options: USA Built Machines China Built Machines	
84	2753325 1001113855	1	Hose Options: USA Built Machines China Built Machines	
85	2220409	1	Fitting, 45	
86 to 87	Not Used			
88	0100011	AR	Compound, Locking	
89	0100038	AR	Loctite, ³ Primer	
90	2180724	1	Fitting, 90 (600SJ & 660SJ Only)	
91	2180380	1	Fitting, Pipe Plug (600SJ & 660SJ Only)	
92	1703533	2	Decal - Hose Tags (Not Shown)	
93	2752633 1001113823 2752633 2753048	1	Hose Options: 600S & 660SJ USA Built Machines 600S & 660SJ China Built Machines 600SJ USA Built Machines SN 0300087000 to SN 0300087912) 600SJ USA Built Machines SN 0300087912 to SN 0300171769)	
94	4240018	7	Tie-Strap (Not Shown)	
95	2220873	1	Fitting, Nipple	
96 to 98	Not Used			
99	2220893	AR	Fitting, Adapter	

SECTION 6 HYDRAULIC

FIGURE 6-5. HYDRAULIC DIAGRAM LIST

ITEM #	PART NUMBER	QTY.	DESCRIPTION	REV.
		Ref	Note: Diagrams with asterisk (*) are shown in the preceding pages. Information on diagrams not shown is available from JLG service/parts departments.	
		Ref	Drive & Steer Hydraulic Diagrams:	
	1283363*	Ref	USA Built Machines:	
	2792616*	Ref	2WD/2WS Machines	
	2792617	Ref	2WD/4WS Machines	
	2792607*	Ref	4WD/2WS Machines	
	2792615	Ref	4WD/4WS Machines	
	2792749	Ref	4WD/2WS Machines (With Arctic Package)	
		Ref	China Built Machines:	
	1001114074*/ 1001114070*	Ref	4WD/2WS Machines	
	2792749/1283363*	Ref	4WD/2WS Machines (With Arctic Package)	
	2792615/1283363	Ref	4WD/4WS Machines (SN B300000100 to SN B300000631)	
	1001138035/ 1001114070	Ref	4WD/4WS Machines (SN B300000631 to Present)	
		Ref	Axle Lockout Hydraulic Diagram	
	2792612/1283363*	Ref	USA Built Machines:	
	1001114075*/ 1001114070*	Ref	China Built Machines:	
		Ref	Loop Flushing Hydraulic Diagram	
	2792660	Ref	2WD	
	2792659	Ref	4WD	
		Ref	Oil Cooler Hydraulic Diagrams	
		Ref	Deutz Engine Machines	
	0256762/1282665	Ref	USA Built Machines SN 0300087000 to SN 0300137650	
	1001108701	Ref	USA Built Machines SN 0300137650 to SN 0300171769	
	0272041/1283309	Ref	Ford/GM Engine Machines	
		Ref	Standard Hydraulic Diagrams:	
	1283363*	Ref	USA Built Machines:	
	2792608*	Ref	600S	
	2792614*	Ref	600SJ	
	2792613*	Ref	660SJ	
	1001114070*	Ref	China Built Machines:	
	1001114072*	Ref	600S	
	1001114073*	Ref	660SJ	
	2792605	Ref	Standard Hydraulic Schematic	
		Ref	Tool Hydraulic Diagrams:	
	2792325	Ref	600S	
	2792326	Ref	600SJ	
	2792327	Ref	660SJ	

SECTION 6 HYDRAULIC

ITEM #	PART NUMBER	QTY.	DESCRIPTION	REV.
	2792630	Ref	Tow Hydraulic Diagram	

SECTION 6 HYDRAULIC

ITEM #	PART NUMBER	QTY.	DESCRIPTION	REV.

SECTION 7 ELECTRICAL

SECTION 7 ELECTRICAL

FIGURE 7-1. ELECTRICAL DIAGRAM LIST

ITEM #	PART NUMBER	QTY.	DESCRIPTION	REV.
		Ref	Note: Diagrams are available from the JLG Service Department.	
	4933217/1282571	Ref	ENGINE BLOCK HEATER ELECTRICAL DIAGRAM (FORD ENGINES)	
		Ref	COLD WEATHER PACKAGE ELECTRICAL DIAGRAM	
	0273575/1282571	Ref	Caterpillar Engines	
	0271912/1283264	Ref	Deutz Engines	
	0275262/1282571	Ref	GM Engines	
		Ref	GENERATOR ELECTRICAL DIAGRAMS	
		Ref	2500W Generator Options:	
	4933300	Ref	Caterpillar & Deutz Engine Machines with 60Hz Generators (USA Built Machines SN 0300087000 to SN 0300139050)	
	1001112588	Ref	Caterpillar & Deutz Engine Machines with 60Hz Generators (USA Built Machines SN 0300139050 to SN 0300171769 & China Built Machines SN B300000100 to Present)	
	4933300	Ref	Caterpillar & Deutz Engine Machines with 50Hz Generators Except CE UK & CE Germany Specs (USA Built Machines SN 0300087000 to SN 0300133734)	
	4933287	Ref	CE UK Spec (USA Built Machines SN 0300087000 to SN 0300133734)	
	4933284	Ref	CE Germany Spec (USA Built Machines SN 0300087000 to SN 0300133734)	
	1001100027	Ref	Caterpillar & Deutz Engine Machines with 50Hz Generators (USA Built Machines SN 0300133734 to SN 0300139050)	
	1001112743	Ref	Caterpillar & Deutz Engine Machines with 50Hz Generators (USA Built Machines SN 0300139050 to SN 0300171769 & China Built Machines SN B300000100 to SN 0300171769)	
	4933300	Ref	Ford Engines	
	4933350	Ref	GM Engines	
		Ref	7500W Generator Options:	
	4933264	Ref	Caterpillar & Deutz Engines (USA Built Machines SN 0300087000 to SN 0300139050)	
	1001112586	Ref	Caterpillar & Deutz Engines (USA Built Machines SN 0300139050 to SN 0300171769 & China Built Machines SN B300000100 to Present)	
	4933283	Ref	Ford Engines	
	4933349	Ref	GM Engines	
	4933217	Ref	GLOW PLUG DIAGRAM	
		Ref	LIGHTS ELECTRICAL DIAGRAM	
	4933219	Ref	Headlight/Taillight & Chassis Illumination Lights	
	4933313	Ref	Platform Floodlights	
	0273491	Ref	Platform Worklights	

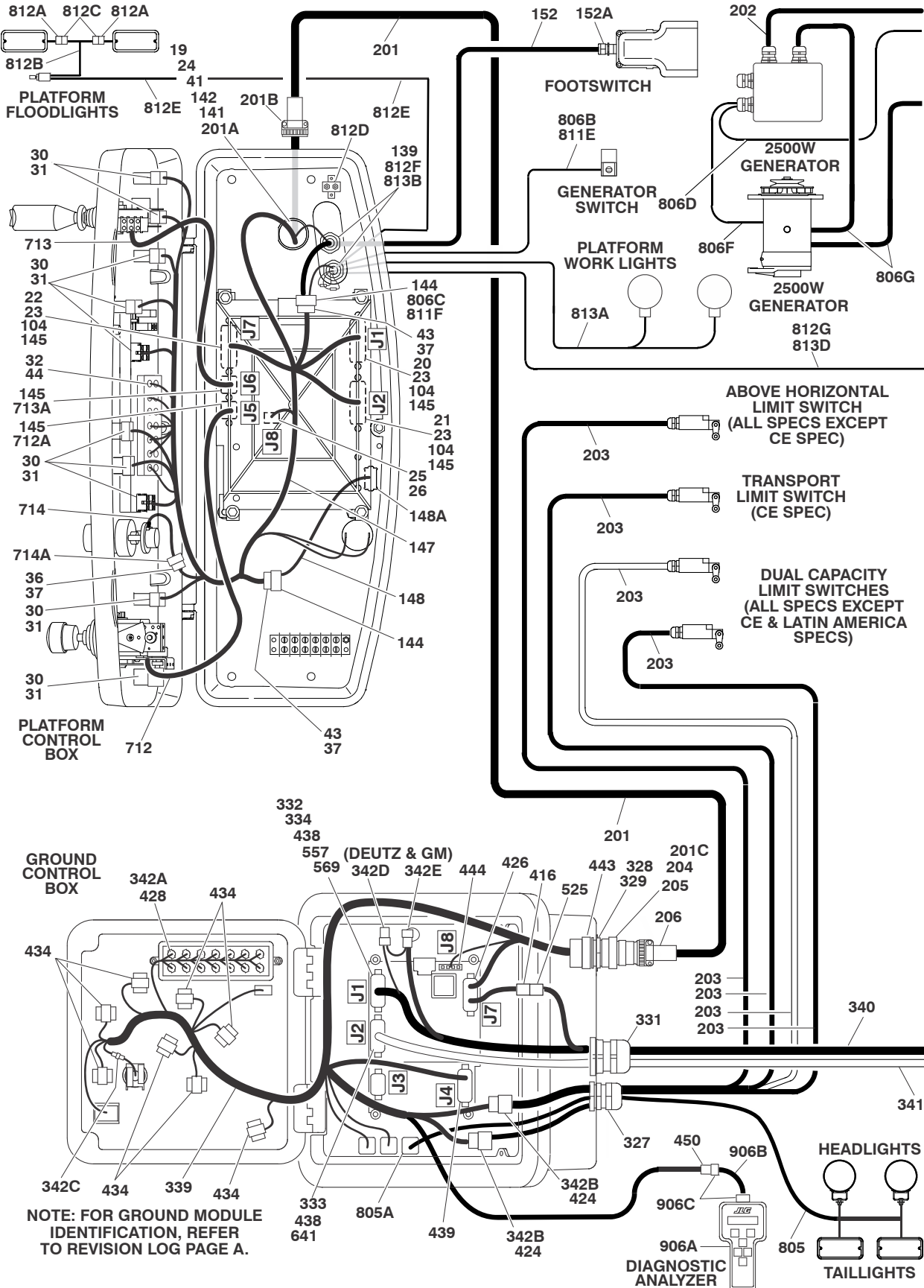
SECTION 7 ELECTRICAL

FIGURE 7-1. ELECTRICAL DIAGRAM LIST (CONTINUED)

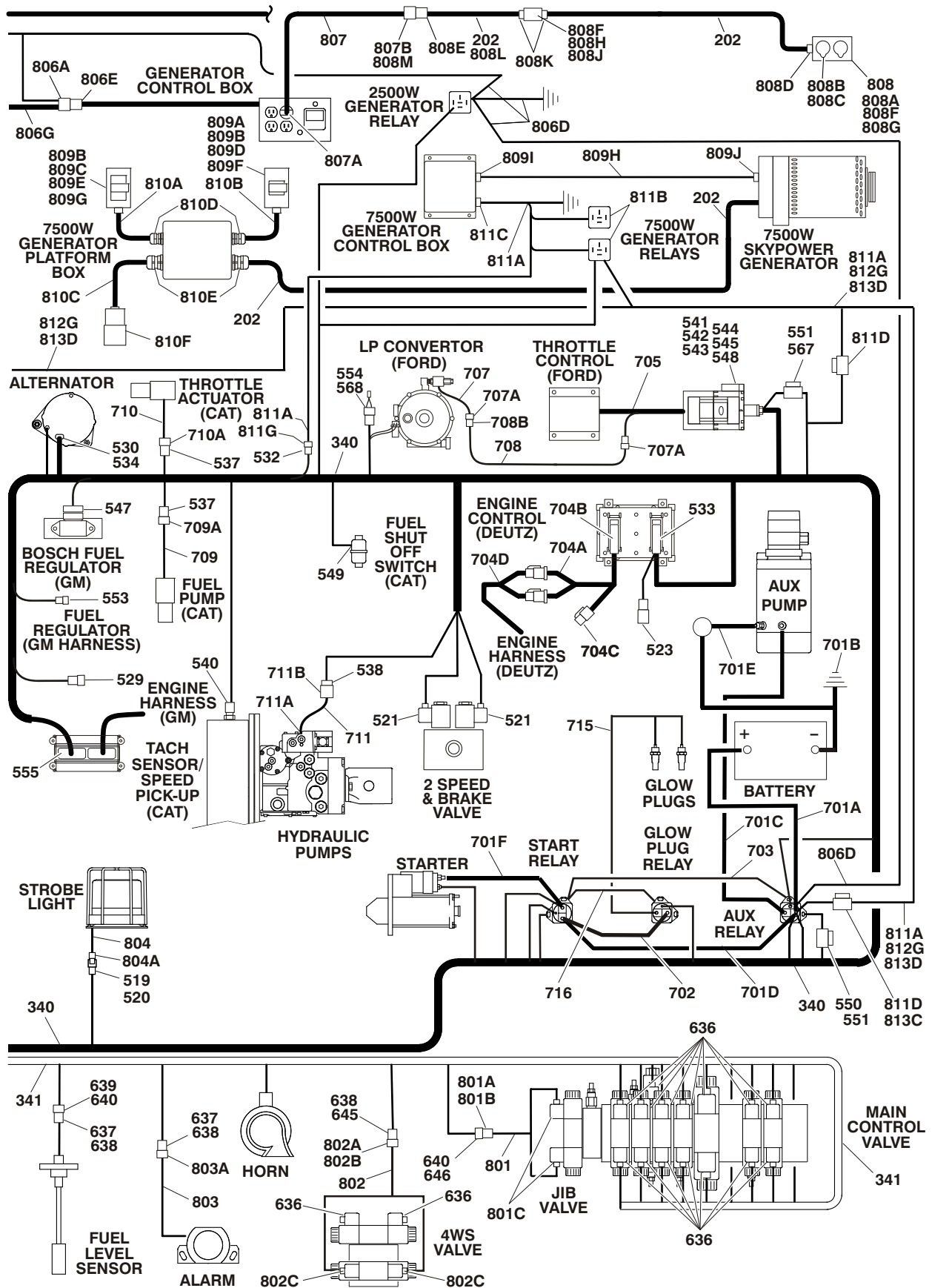
ITEM #	PART NUMBER	QTY.	DESCRIPTION	REV.
	See Note	Ref	PLATFORM ELECTRICAL DIAGRAM (Note: Not Available for Purchase.)	
	4933218	Ref	PLATFORM SOFT TOUCH SYSTEM ELECTRICAL DIAGRAM	
		Ref	STANDARD ELECTRICAL DIAGRAMS	
		Ref	Note: For Ground Module identification, refer to Revision Log page A.	
		Ref	Note: All units "Without UGM" are USA Built Machines.	
		Ref	Without UGM:	
	4933328	Ref	Caterpillar Engine Machines (SN 0300087000 to SN 0300099060)	
	4933383	Ref	Caterpillar Engine Machines (SN 0300099060 to SN 0300171769)	
	4933318	Ref	Deutz Engine Machines (SN 0300087000 to SN 0300099060)	
	4933366	Ref	Deutz Engine Machines (SN 0300099060 to SN 0300171769)	
	4933327	Ref	Ford Engine Machines	
	4933355	Ref	GM Engine Machines (SN 0300087000 to SN 0300099060)	
	4933365	Ref	GM Engine Machines (SN 0300099060 to SN 0300171769)	
		Ref	With UGM:	
	1001110365	Ref	Caterpillar Engine Machines	
	1001110364	Ref	Deutz Engine Machines	
	1001110359	Ref	GM Engine Machines	
		Ref	STANDARD ELECTRICAL SCHEMATIC	
		Ref	USA Built Machines:	
	1870132*	Ref	Caterpillar Engine Machines without UGM (SN 0300087000 to SN 0300099060)	
	1870215*	Ref	Caterpillar Engine Machines without UGM (SN 0300099060 to SN 0300171769)	
	1001110345*	Ref	Caterpillar Engine Machines with UGM	
	1870191*	Ref	Deutz Engine Machines without UGM (SN 0300087000 to SN 0300099060)	
	1870215*	Ref	Deutz Engine Machines without UGM (SN 0300099060 to SN 0300171769)	
	1001110345*	Ref	Deutz Engine Machines with UGM	
	1870132*	Ref	Ford Engine Machines	
	1870191*	Ref	GM Engine Machines without UGM (SN 0300087000 to SN 0300099060)	
	1870215*	Ref	GM Engine Machines without UGM (SN 0300099060 to SN 0300171769)	
	1001110345*	Ref	GM Engine Machines with UGM	
	1001131992	Ref	GM Engine Schematic (Engine Schematic Only. P/N 1001110345 is for schematic for complete machine.)	
	1001110345*	Ref	China Built Machines	
	0270805/1283235	Ref	STROBE LIGHT ELECTRICAL DIAGRAM	

SECTION 7 ELECTRICAL

FIGURE 7-2. HARNESS COMPONENTS INSTALLATION (WITHOUT UGM)



SECTION 7 ELECTRICAL



SECTION 7 ELECTRICAL

FIGURE 7-2. HARNESS COMPONENTS INSTALLATION (WITHOUT UGM)

ITEM #	PART NUMBER	QTY.	DESCRIPTION	REV.
		Ref	Note: For Ground Module Identification, Refer to Revision Log Page A	
		Ref	Note: All Units "Without UGM" are USA Built Machines.	
		Ref	PLATFORM BOX HARNESS ASSEMBLY	
	4922639	Ref	SN 0300087000 to SN 0300136519	8/I
	1001107753	Ref	SN 0300136519 to SN 0300171769	C
1 to 18	Not Used			
19	4460866	1	Terminal, 19 Pin Receptacle	
20	4460874	1	Connector - 35 Position (Natural)	
21	4460875	1	Connector - 35 Position (Gray)	
22	4460873	1	Connector - 35 Position (Black)	
23	4460871	79	Socket, Female	
24	4460464	7	Pin, Male (16 Gauge)	
25	4460879	1	Terminal, Housing 2 Position	
26	4460887	2	Terminal, (12 Gauge)	
27 to 29	Not Used			
30	4460418	9	Connector - 6 Position	
31	4460419	27	Terminal, Female	
32	4120035	13	Base, Light	
33 to 35	Not Used			
36	4460225	1	Plug, Male- 6 Position	
37	4460227	6	Pin, Male	
38 to 40	Not Used			
41	4460508	3	Pin, Male (12 Gauge)	
42	Not Used			
43	4460434	2	Connector - 15 Position	
44	2920129	13	Lamp, Indicator	
		Ref	PLATFORM BOX ASSEMBLY COMPONENTS	
101 to 103	Not Used			
104	0100048	AR	Grease, Dielectric	
105 to 138	Not Used			
139	4460428	2	Connector, Strain Relief	
140	Not Used			
141	4460470	1	Nut, Terminal	
142	4460471	1	Lockwasher, Terminal	
143	Not Used			
144	4460708	2	Connector, Female - 15 Position	
145	4460905	5	Seal, Plug	
146	Not Used			
147		1	Harness, Platform Console Box Options (Includes Items 1-44):	
	4922639		SN 0300087000 to SN 0300136519	
	1001107753		SN 0300136519 to SN 0300171769	
148	4922666	1	Harness, Analyzer Cable	2/B
	4460226	4	Socket, Female (Not Shown - Located at J2)	

SECTION 7 ELECTRICAL

FIGURE 7-2. HARNESS COMPONENTS INSTALLATION (WITHOUT UGM) (CONTINUED)

ITEM #	PART NUMBER	QTY.	DESCRIPTION	REV.
148A	4460761	1	Connector, Female - 4 Position	
	4460227	4	Pin, Male	
149 to 151	Not Used			
152	See Note	1	Footswitch Harness (Note: Not Available for Purchase.)	
	1060918	8ft/2.4m	Cable, Electrical - 18/3	
152A	4460071	1	Connector, Strain Relief	
		Ref	BOOM CABLES INSTALLATION	
		Ref	600S:	
	0270733	Ref	ANSI, ANSI Export, Brazilian, CSA, Japanese Specs without 7500W Generator	5
	0270734	Ref	CE & Latin American Specs without 7500W Generator	6
	0272483	Ref	ANSI, ANSI Export, Australian, CSA Specs with 7500W Generator	3
	0272484	Ref	Brazilian, CE, Japanese, Latin American Specs with 7500W Generator	3
	0275924	Ref	ANSI, ANSI Export, CSA Specs without 7500W Generator and Arctic Package	2
	0275925	Ref	ANSI, ANSI Export, CSA Specs with 7500W Generator and Arctic Package	3
		Ref	600SJ:	
	0270738	Ref	ANSI, ANSI Export, Australian, Brazilian, CSA, Japanese, Latin American Specs without 7500W Generator	3
	0270737	Ref	CE Specs without 7500W Generator	3
	0272488	Ref	ANSI, ANSI Export, Australian, CSA, Latin American Specs with 7500W Generator	2
	0272487	Ref	Brazilian, CE, Japanese Specs with 7500W Generator	2
	0275926	Ref	ANSI, ANSI Export, CSA Specs without 7500W Generator and Arctic Package	1
	0275927	Ref	ANSI, ANSI Export, CSA Specs with 7500W Generator and Arctic Package	2
		Ref	660SJ:	3
	0270736	Ref	ANSI, ANSI Export, Australian, Brazilian, CSA, Japanese, Latin American Specs without 7500W Generator	3
	0270735	Ref	CE Specs without 7500W Generator	3
	0272485	Ref	ANSI, ANSI Export, Australian, CSA, Latin American Specs with 7500W Generator	2
	0272486	Ref	Brazilian, CE, Japanese Specs with 7500W Generator	2
	0275339	Ref	ANSI, ANSI Export, CSA Specs without 7500W Generator and Arctic Package	1
	0275831	Ref	ANSI, ANSI Export, CSA Specs with 7500W Generator and Arctic Package	2
201		1	Harness, Main Boom Options:	
			600S:	
	4922468		ANSI, ANSI Export, CE, CSA, Australian, Brazilian, Japanese, Latin American Spec	
	4923657		ANSI, ANSI Export, CSA Spec (With Arctic Package)	
			600SJ:	
	4922466		ANSI, ANSI Export, Australian, CE, CSA, Brazilian, Japanese, Latin American Spec	
	4923653		ANSI, ANSI Export, CSA Spec (With Arctic Package)	

SECTION 7 ELECTRICAL

FIGURE 7-2. HARNESS COMPONENTS INSTALLATION (WITHOUT UGM) (CONTINUED)

ITEM #	PART NUMBER	QTY.	DESCRIPTION	REV.
201(cont'd)	4922467		660SJ: ANSI, ANSI Export, Australian, CE, CSA, Brazilian, Japanese, Latin American Spec	
	4923509		ANSI, ANSI Export, CSA Spec (With Arctic Package)	
	1060896	AR	Cable Options:	
		67ft/20.4m	600S	
		69ft/21m	600SJ	
		75ft/22.8m	660SJ	
	4923462	AR	Cable Options (With Arctic Package):	
		67ft/20.4m	600S	
		69.5ft/21.8m	600SJ	
		75ft/22.8m	660SJ	
201A	4460465	11	Socket, Female - #16	
	4460865	1	Plug, Connector (19 Pin)	
	4460509	4	Socket, Female - #12	
	4460466	4	Seal, Plug	
201B	4460473	1	Clamp, Cable	
201C	4460465	11	Socket, Female - #16	
	4460509	4	Socket, Female - #12	
202		AR	Harness, Generator Options: (Does not include plug ends)	
	4922889		600S without 7500W Generator ANSI, ANSI Export, Australian, Brazilian, CSA, Japanese Specs (69.5ft/21.8m of 12/3 ANSI Spec Cable P/N 1060494)	
	4922884		CE & Latin American Specs (69.5ft/21.8m of 12/3 CE Spec Cable P/N 1060461)	
	4923660		ANSI, ANSI Export, CSA Specs (69.5ft/21.8m of 12/3 Cable P/N 4923463) (With Arctic Package)	
	Use 4922792		600S with 7500W Generator (83ft/25.3m of 8/5 Cable P/N 1060945) (For Arctic Machines p/n was 4923658)	
	4922887		600SJ without 7500W Generator ANSI, ANSI Export, Australian, Brazilian, CSA, Japanese, Latin American Specs (71ft/21.6m of 12/3 ANSI Spec Cable P/N 1060494)	
	4922885		CE Specs (71ft/21.6m of 12/3 CE Spec Cable P/N 1060461)	
	4923656		ANSI, ANSI Export, CSA Specs (71ft/21.6m of 12/3 Cable P/N 4923463) (With Arctic Package)	
	Use 4922790		600SJ with 7500W Generator (85ft/25.9m of 8/5 Cable P/N 1060945) (For Arctic Machines, p/n was 4923654)	
	4922888		660SJ without 7500W Generator ANSI, ANSI Export, Australian, Brazilian, CSA, Japanese, Latin American Specs (77ft/23.5m of 12/3 ANSI Spec Cable P/N 1060494)	
	4922886		CE Specs (77ft/23.5m of 12/3 CE Spec Cable P/N 1060461)	
	4923510		ANSI, ANSI Export, CSA Specs (77ft/23.5m of 12/3 Cable P/N 4923463) (With Arctic Package)	
	Use 4922791		660SJ with 7500W Generator (90.5ft/27.6m of 8/5 Cable P/N 1060945) (For Arctic Machines p/n was 4923630)	

SECTION 7 ELECTRICAL

FIGURE 7-2. HARNESS COMPONENTS INSTALLATION (WITHOUT UGM) (CONTINUED)

ITEM #	PART NUMBER	QTY.	DESCRIPTION	REV.
203		AR	Cable, Limit Switch Options:	
	1061026	1	600S: ANSI, ANSI Export, Australian, Brazilian, CE, CSA, Latin American, Japanese Specs (25.5ft/7.8m of 18/2 Cable P/N 1060680)	
	4923659	1	ANSI, ANSI Export, CSA Spec (25.5ft/7.8m of 18/2 Cable P/N 4923466) (With Arctic Package)	
	1061027	2	ANSI, ANSI Export, Australian, CSA, Brazilian, Japanese Specs (13.5ft/4.2m of 18/2 Cable P/N 1060680)	
	1061026	1	600SJ: Brazilian, CE, Japanese Specs (25.5ft/7.8m of 18/2 Cable P/N 1060680)	
	1061027	1	ANSI, ANSI Export, Australian, Brazilian, CSA, Japanese, Latin American Specs (13.5ft/4.2m of 18/2 Cable P/N 1060680)	
	4923655	1	ANSI, ANSI Export, CSA Spec (13.5ft/4.2m of 18/2 Cable P/N 4923466) (With Arctic Package)	
	1061027	1	660SJ: ANSI, ANSI Export, Australian, Brazilian, CSA, Latin American, Japanese Specs (13.5ft/4.2m of 18/2 Cable P/N 1060680)	
	1061026	1	Brazilian, CE, Japanese Specs (25.5ft/7.8m of 18/2 Cable P/N 1060680)	
	4923511	1	ANSI, ANSI Export, CSA Spec (13.5ft/4.2m of 18/2 Cable P/N 4923466) (With Arctic Package)	
204	4460865	1	Plug, Connector (19 Pin)	
205	4460466	4	Seal, Plug	
206	4460473	1	Clamp, Cable	
207	4100026	AR	Sleeve, Nylon (Required on 600S Only - Not Shown)	
		10ft/3.0m	SN 0300087000 to SN 0300137883	
		4ft/1.2m	SN 0300137883 to SN 0300171769	
		Ref	GROUND CONTROL BOX COMPONENTS	
301	Not Used			
302	0100048	AR	Grease, Dielectric (Not Shown)	
303 to 326	Not Used			
327	4460426	2	Connector, Strain Relief	
328	4460470	1	Nut, Terminal	
329	4460471	1	Lockwasher, Terminal	
330	Not Used			
331	4460526	1	Connector, Strain Relief	
332	4460874	1	Connector (Natural)	
333	4460875	1	Connector (Gray)	
334	4460905	4	Connector, Amp Seal Plug	
335 to 338	Not Used			

SECTION 7 ELECTRICAL

FIGURE 7-2. HARNESS COMPONENTS INSTALLATION (WITHOUT UGM) (CONTINUED)

ITEM #	PART NUMBER	QTY.	DESCRIPTION	REV.	
339		1	Ground Control Box Harness Assembly Options (See Items 401-453 for Breakdown):		
	4923229		Caterpillar & Ford Engine (SN 0300087000 to SN 0300099060)		
	4923213		Deutz & GM Engine (SN 0300087000 to SN 0300099060)		
	4923577		Caterpillar, Deutz & GM Engine (SN 0300099060 to SN 0300137195)		
	1001108126		Caterpillar, Deutz & GM Engine (SN 0300137195 to SN 0300171769)		
340			Engine Harness Assembly (See 501 to 569 for Breakdown):		
	4923227	1	Caterpillar Engine Machines (SN 0300087000 to SN 0300099060)		
	4923576	1	Caterpillar Engine Machines (SN 0300099060 to SN 0300171769)		
	3990001	1	Diode (SN 0300090378 to SN 0300171769)		
	4923212	1	Deutz Engine Machines		
	4923226	1	Ford Engine Machines		
	4923492	1	GM Engine Machines		
	341	4923206	1	Valve Harness Assembly (See 601 to 646 for Breakdown):	2/B
342		1	Ground Control Box Wiring Diagram (Not Shown)		
	4933328		Caterpillar Engine (SN 0300087000 to SN 0300099060)	3/C	
	4933383		Caterpillar Engine (SN0300099060 to SN 0300171769)	A	
	4933318		Deutz Engine (SN 0300087000 to SN 0300099060)	F	
	4933366		Deutz Engine (SN 0300099060 to SN 0300171769)	A	
	4933327		Ford Engine	2/B	
	4933355		GM Engine (SN 0300087000 to SN 0300099060)	D	
	4933365		GM Engine (SN 0300099060 to SN 0300171769)	A	
	342A	2920129	AR	Bulb, Light	
	342B	4460708	AR	Receptacle, Female - 15 Position	
4460226		AR	Socket, Female		
4922637		1	Harness, Jumper (Not Shown)		
	4922636	1	Harness, Jumper (Not Shown) (SN 0300099060 to SN 0300171769)		
342C	2400065	1	Fuse, 30Amp		
	2400066	1	Fuse, Holder with Cover		
342D	4460894	1	Plug, Male - 6 Position (Deutz/GM Engines Only)		
	4460892	1	Receptacle, Female - 6 Position (Deutz/GM Engines Only)		
342E	4460539	1	Plug, Male - 3 Position (Caterpillar Only)		
	2902443	1	Receptacle Kit (Deutz Only)		
	4461071	8	Socket, Female		
	4461072	1	Receptacle		
	4461073	1	Cap, Dust		
	4461074	1	Shell, Black		
342F	4923591	1	Harness, Jumper (Not Shown - Located on Module J7-6 to J7-17 Caterpillar Only) (SN 0300099060 to SN 0300171769)		

SECTION 7 ELECTRICAL

FIGURE 7-2. HARNESS COMPONENTS INSTALLATION (WITHOUT UGM) (CONTINUED)

ITEM #	PART NUMBER	QTY.	DESCRIPTION	REV.
		Ref	GROUND CONTROL HARNESS ASSEMBLY	
	4923229	Ref	Caterpillar & Ford Engines (SN 0300087000 to SN 0300099060)	2/B
	4923213	Ref	Deutz & GM Engines (SN 0300087000 to SN 0300099060)	E
	4923577	Ref	Caterpillar, Deutz & GM Engines (SN 0300099060 to SN 0300137195)	D
	1001108126	Ref	Caterpillar, Deutz & GM Engines (SN 0300137195 to SN 0300171769)	C
401 to 415	Not Used			
416	4460536	1	Connector, Female - 3 Position (Caterpillar/Deutz/GM Engines Only)	
	4460943	3	Pin, Male (Caterpillar/Deutz/GM Engines Only)	
417 to 420	Not Used			
421	3990010	2	Diode - 6 Amp (Not Shown)	
422 to 423	Not Used			
424	4460434	AR	Plug, Male 15 - Position Options:	
		1	Ford Engines	
		2	Caterpillar/Deutz/GM Engines	
	4460227	AR	Pin	
425	Not Used			
426	4460873	1	Plug, Male - 35 Position (Black)	
	4460871	AR	Socket, Female	
	4460905	AR	Plug, Seal	
427	Not Used			
428	4120035	AR	Base, Light	
	4460634	AR	Terminal (16 Gauge)	
	4460635	AR	Terminal (12 Gauge)	
429 to 433	Not Used			
434	4460418	AR	Connector, Female - 6 Position	
	4460419	AR	Socket, Female	
435 to 437	Not Used			
438	4460871	9	Socket, Female	
439	4460876	1	Plug, Male - 35 Position (Blue)	
	4460871	AR	Socket, Female	
	4460905	AR	Plug, Seal	
440 to 442	Not Used			
443	4460866	1	Connector - 19 Pin	
	4460464	10	Pin, Male (16 Gauge)	
	4460508	3	Pin, Male (12 Gauge)	
444	4460878	1	Housing, Terminal - 4 Position	
	4460887	3	Terminal (12 Gauge)	
445 to 449	Not Used			
450	4460761	1	Connector, Female 4 - Position	
	4460227	4	Pin, Male	

SECTION 7 ELECTRICAL

FIGURE 7-2. HARNESS COMPONENTS INSTALLATION (WITHOUT UGM) (CONTINUED)

ITEM #	PART NUMBER	QTY.	DESCRIPTION	REV.
		Ref	ENGINE HARNESS ASSEMBLIES	
	4923227	Ref	Caterpillar Engine Machines (SN 0300087000 to SN 0300099060)	3/C
	4923576	Ref	Caterpillar Engine Machines (SN 0300099060 to SN 0300171769)	D
	4923212	Ref	Deutz Engine Machines	F
	4923226	Ref	Ford Engine Machines	3/C
	4923492	Ref	GM Engine Machines	D
501 to 518	Not Used			
519	4460424	1	Receptacle, Female - 2 Position	
520	4460268	2	Socket, Female	
521	4460880	2	DIN Connector without Diode	
522	4460891	2	Connector, Male - 2 Position (Caterpillar Engine Only)	
	4460465	7	Socket, Female	
523	4461070	1	Receptacle, Female With Resistor (3 Position) (Deutz Engines Only)	
	4461095	1	Plug, Male - 3 Position (Deutz Engines Only)	
	4460944	3	Socket, Female (Deutz Engines Only)	
524	Not Used			
525	4460539	1	Connector, Male - 3 Position (Deutz Engine Only)	
	4460944	3	Socket, Female (Deutz Engine Only)	
526 to 529	Not Used			
530	4460582	3	Terminal (Ford Engine Only)	
	4460580	1	Lock, Terminal (Ford Engine Only)	
	4460579	1	Housing - 3 Position (Ford Engine Only)	
531	Not Used			
532	4461157	1	Receptacle, Female - 2 Position (GM Engine Only)	
	4460979	2	Pin, Male (GM Engine Only)	
	4460458	2	Seal, Terminal (GM Engine Only)	
533	4461052	1	Connector, Receptacle - 25 Position (Deutz Engine Only)	
	4461005	5	Terminal (Gold) (Deutz Engine Only)	
	4461006	5	Seal, Terminal (Deutz Engine Only)	
	4461060	2	Terminal (Tin) (Deutz Engine Only)	
	4461054	2	Seal, Terminal (Deutz Engine Only)	
	4461053	1	Cover, Plug (Deutz Engine Only)	
534	4460996	1	Connector, Female - 3 Position (Caterpillar Engines Only)	
	4460995	2	Terminal, Spade (Caterpillar Engines Only)	
535 to 536	Not Used			
537	4460891	2	Plug, Male - 2 Position (Caterpillar Engines Only)	
	4460465	4	Socket, Female (Caterpillar Engines Only)	
538	4460460	1	Connector, Male - 4 Position	
	4460457	AR	Terminal, Female	
	4460458	AR	Seal, Terminal	
539	Not Used			
540	4460539	1	Plug, Male - 3 Position (Caterpillar Engines Only)	
	4460465	3	Socket, Female (Caterpillar Engines Only)	
541	4460713	1	Connector, Housing 42 Position (Ford Engine Only)	
542	4460725	1	Connector Wedge Lock, Center (Ford Engine Only)	
543	4460726	2	Connector Wedge Lock, Side (Ford Engine Only)	

SECTION 7 ELECTRICAL

FIGURE 7-2. HARNESS COMPONENTS INSTALLATION (WITHOUT UGM) (CONTINUED)

ITEM #	PART NUMBER	QTY.	DESCRIPTION	REV.
544	4460800	29	Connector, Plug (Ford Engine Only)	
545	4460799	7	Pin, Male (Ford Engine Only)	
546	Not Used			
547	4461121	1	Plug, Male - 4 Position (GM Engine Only)	
	4461122	4	Socket, Female (GM Engine Only)	
	4461123	4	Seal, Terminal (GM Engine Only)	
548	4460728	3	Pin, Male (Ford Engine Only)	
549	4460792	1	Plug, Male - 1 Position (Caterpillar Engines Only)	
	4460339	3	Terminal (Caterpillar Engines Only)	
550 to 552	Not Used			
553	4461124	1	Receptacle, Female - 4 Position (GM Engine Only)	
	4460693	4	Pin, Male (GM Engine Only)	
	4460608	4	Seal, Terminal (GM Engine Only)	
	4461161	1	Lock, Terminal (GM Engine Only)	
554	4460742	1	Plug, Male - 2 Position (Ford Engine Only)	
	4460457	2	Terminal, Female (Ford Engine Only)	
	4460458	2	Seal, Terminal (Ford Engine Only)	
555	4461109	1	Plug, Male - 16 Position (GM Engine Only)	
	4461111	7	Pin, Male (GM Engine Only)	
	4461113	AR	Seal, Terminal (GM Engine Only)	
	4461222	9	Terminal, Cavity Plug (GM Engine Only)	
556	Not Used			
557	4460871	AR	Socket, Female	
558 to 566	Not Used			
567	2400065	1	Fuse, 30Amp (Ford Engine Only)	
568	3730120	1	Resistor Assembly (Ford Engine Only)	
	4460978	1	Receptacle, Male - 2 Position	
	4460979	2	Pin, Male	
	4460458	2	Seal, Terminal	
	3730121	1	Resistor	
569	4460226	2	Socket, Female (Deutz Engine Only) (SN 0300088140 to SN 0300171769)	
	4923206	Ref	VALVE HARNESS ASSEMBLY	2/B
601 to 635	Not Used			
636	4460880	15	DIN Connector	
637	4460320	2	Plug, Male - 2 Position	
638	4460267	5	Pin, Male	
639	4460424	1	Receptacle, Female - 2 Position	
640	4460268	5	Socket, Female	
641	4460871	28	Socket, Female	
642 to 644	Not Used			
645	4460326	1	Plug, Male - 3 Position	
646	4460445	1	Receptacle, Female - 3 Position	

SECTION 7 ELECTRICAL

FIGURE 7-2. HARNESS COMPONENTS INSTALLATION (WITHOUT UGM) (CONTINUED)

ITEM #	PART NUMBER	QTY.	DESCRIPTION	REV.
		Ref	STANDARD HARNESS COMPONENTS	
701	2902296	1	Battery Cable Kit Options:	C
	2902297		Caterpillar & Deutz Engines Machines	
	2902531		Ford Engine Machines	
			GM Engine Machines	A
701A		1	Cable, Battery (Red) Options:	
			Caterpillar & Deutz Engines Machines Options:	
	100116241	1	Machines with 2 Relays on Engine Tray (was p/n 7027000)	
	100116240	1	Machines with 3 Relays on Engine Tray (was p/n 7027000)	
	7027006		Ford Engine Machines	
	7027015		GM Engine Machines	
701B		1	Cable, Battery (Black) Options:	
	7027004		Caterpillar & Deutz Engines Machines	
	7027005		Ford Engine Machines	
	7016822		GM Engine Machines	
701C		1	Cable (Red) Options:	
	7027002		Caterpillar, Deutz & Ford Engines Machines	
701D		1	Cable (Red) Options:	
	7027001		Caterpillar & Deutz Engine Machines (SN 0300087000 to SN 0300138090)	
	See Note		Caterpillar & Deutz Engine Machines (SN 0300138090 to SN 0300171769) Note: Incorporated in Item 701A after SN 0300138090.	
	Not Required		Ford Engines Machines	
	7027017		GM Engines Machines	
701E	7027003	1	Cable (Black)	
701F		1	Cable, Battery (Red) Options:	
			Caterpillar & Deutz Engines Machines	
	100116241	1	Machines with 2 Relays on Engine Tray (was p/n 7027000)	
	100116240	1	Machines with 3 Relays on Engine Tray (was p/n 7027000)	
	7027007		Ford Engine Machines	
	7016822		GM Engine Machines	
702	1060904	1	Cable, Battery (Caterpillar Engine Machines Only)	
703	14922737	1	Harness, Relay Ground (Caterpillar Engine Machines Only)	
704	See Note	AR	Deutz Engine Harness Components (Deutz Engine Machines Only) (Note: Not Available for Purchase. See 704A-704D for Available Components.)	
704A	7027796	1	Deutz Engine Harness	
704B	See Note	1	Receptacle, Female - 25 Position (Note: Not Available - Purchase Complete Harness)	
704C	7027793	1	Plug-In, Connector	
704D		1	Deutz Engine Harness Options (For other replacement parts refer to Deutz engine dealer):	
	7027794		Deutz Tier I & Tier II (SN 0300087000 to SN 0300126189)	
	70001872		Deutz Tier III (SN 0300126189 to SN 0300171769)	

SECTION 7 ELECTRICAL

FIGURE 7-2. HARNESS COMPONENTS INSTALLATION (WITHOUT UGM) (CONTINUED)

ITEM #	PART NUMBER	QTY.	DESCRIPTION	REV.
705	7027403	1	Ford Engine Harness (For other replacement parts refer to Ford engine dealer)	
706	7027991	1	GM Engine Harness (Not Shown - For other replacement parts refer to GM industrial engine dealer)	
	7027989	1	Connector - 10 Position (Not Shown)	
	See Note	1	Box, Fuse Box (Not Shown) (Note: Part of Harness Not Available for Purchase.)	
	70002627	1	Cover, Fuse Box (Not Shown)	
	70001950	2	Relay (Power & Fuel Pump) (Not Shown)	
	70001951	1	Relay (Starter) (Not Shown)	
	70001931	1	Fuse - 60Amp (Alternator) (Not Shown)	
	See Note	1	Fuse - 20Amp (Not Shown) (Note: Not Available - Purchase Locally.)	
	See Note	1	Fuse - 15Amp (Not Shown) (Note: Not Available - Purchase Locally.)	
	See Note	1	Fuse - 10Amp (Not Shown) (Note: Not Available - Purchase Locally.)	
	See Note	1	Fuse - 5Amp (Not Shown) (Note: Not Available - Purchase Locally.)	
707	See Note	1	Dual Fuel Shut-Off Filter Harness (Note: Not Available for Purchase.)	
707A	7023679	1	Electrical Connector Kit (Includes [1] 2 Position Connector, 2 Pins & 2 Seals)	
708	4922968	1	Dual Fuel Shut-Off Filter Extension Harness (Not Shown)	
708A	4460742	1	Connector, Male - 2 Position	
	4460458	2	Seal, Terminal	
	4460743	2	Socket, Female	
708B	4460978	1	Receptacle, Male - 2 Position	
	4460979	2	Pin, Male	
	4460458	2	Seal, Terminal	
709	See Note	1	Fuel Pump Harness (Caterpillar Engines Only) (Note: Not Available for Purchase.)	
	4460897	1	Receptacle, Female -2 Position (Caterpillar Engines Only)	
	4460464	2	Pin, Male (Caterpillar Engines Only)	
710	See Note	1	Throttle Actuator Harness (Caterpillar Engines Only) (Note: Not Available for Purchase.)	
	4460897	1	Receptacle, Female -2 Position (Caterpillar Engines Only)	
	4460464	2	Pin, Male (Caterpillar Engines Only)	
711	See Note	1	Pump Harness (Note: Not Available for Purchase.)	
711A	7007497	1	Plug (Pump End)	
711B	7007498	1	Plug (Engine Harness End)	
712	See Note	1	Controller Harness Assembly (Lift and Swing) (Note: Not Available for Purchase.)	
712A	7022819	1	Plug, Male - 8 Position (Natural)	
	4460871	8	Socket, Female	
713	See Note	1	Controller Harness/Circuit Board Assembly (Drive and Steer) (Note: Not Available for Purchase.)	
713A	7022825	1	Plug, Male - 8 Position (Black)	
	4460871	7	Socket, Female	
714	See Note	1	Controller Harness (Speed Control) (Note: Not Available for Purchase.)	

SECTION 7 ELECTRICAL

FIGURE 7-2. HARNESS COMPONENTS INSTALLATION (WITHOUT UGM) (CONTINUED)

ITEM #	PART NUMBER	QTY.	DESCRIPTION	REV.
714A	4460224	1	Receptacle, Female - 6 Position	
	4460226	6	Socket, Female	
715	4923379	1	Harness, Glow Plug (Deutz Engine Machines SN 0300092726 to SN 0300171769)	B
716	1060904	1	Cable, Jumper (Deutz Engine Machines SN 0300092726 to SN 0300171769)	
		Ref	OPTIONAL HARNESS COMPONENTS	
801	4921927	1	Jib Valve Harness (600AJ Only)	3
801A	4460326	1	Plug, Male - 3 Position	
801B	4460267	3	Pin, Male	
801C	4460499	2	Connector, DIN with Diode	
802	4921928	1	4WS Valve Harness	3
802A	4460268	3	Socket, Female	
802B	4460445	1	Connector, Female - 3 Position	
802C	4460499	2	Connector, DIN with Diode	
803	0257887	1	Alarm Harness (Includes Alarm)	
	0140032	1	Alarm	
	2820035	6in/15cm	Loom	
803A	4460424	1	Plug, Male - 2 Position	
803B	4460268	2	Socket, Female	
804	0272507	1	Strobe Light Harness Options (Includes Strobe Light):	
804A	4460320	1	Connector, Female - 2 Position	
804B	4460267	2	Pin, Male	
805	See Note	1	Headlight & Taillight/Chassis Illumination Harness (Note: Not Available for Purchase.)	
	1060341	AR	Cable, Electrical 16/2 Options:	
		37ft/11.3m	Headlights & Taillights	
		40ft/12.2m	Chassis Illumination Lights	
805A	3740049	1	Relay	
	4460259	3	Terminal	
	4460260	4	Housing, Terminal	
	4460297	1	Terminal	
	4922643	1	Lights Harness for Ground Control Box	1/A
	4460226	2	Socket, Female	
806		Ref	2500W Generator Electrical Components Options:	
	4933350	Ref	GM Engine Machines	1/A
	4933300	Ref	Deutz & Caterpillar with 60Hz Generators	2/A
	1001100027	Ref	Deutz & Caterpillar with 50Hz Generators	5/E
806A	4460321	1	Connector, Male - 4 Position	
	4460906	4	Socket, Female	
806B	4922641	1	Harness - On/Off Switch	
806C	4460226	2	Socket, Female	
806D		1	2500W Control Box to Relay Harness Options:	
	4922970		Caterpillar, Deutz & Ford Engines Machines	
	4923445		GM Engines Machines	
806E	4460961	1	Connector, Female - 4 Position	
	4460705	4	Pin, Male	
806F	1001100305	1	Ground Harness (50Hz Only)	C

SECTION 7 ELECTRICAL

FIGURE 7-2. HARNESS COMPONENTS INSTALLATION (WITHOUT UGM) (CONTINUED)

ITEM #	PART NUMBER	QTY.	DESCRIPTION	REV.
806G	7020193	1	2500W Generator Power Cable	
807		1	Generator to Rear of Boom Harness Options: Note: Harness used to connect AC at platform harness to generator receptacle to power platform receptacle.	
	4921827		110V (ANSI, ANSI Export & Japanese Specs)	2
	4921954		220V (ANSI & ANSI Export Specs)	2
	4921956		110V/220V (Australian, CE, Latin America & Brazilian Specs)	—
		AR	Cable, Electrical - 12/3 Options:	
	1060494	20ft/6m	110V (ANSI, ANSI Export & Japanese Specs)	
	1060494	26ft/8m	220V (ANSI & ANSI Export Specs)	
	1060461	20ft/6m	110V/220V (Australian, CE, Latin America & Brazilian Specs)	
807A		1	Plug, Male Options:	
	4460205		110V (ANSI, ANSI Export & Japanese Specs)	
	4460233		220V (ANSI & ANSI Export Specs)	
	Not Required		110V/220V (Australian, CE, Latin American & Brazilian Specs) (Purchase Locally)	
	4460027	1	Receptacle, Twist Lock (110V Only)	
807B		1	Receptacle, Female Options:	
	4460134		110V (ANSI, ANSI Export & Japanese Specs)	
	4460701		220V (ANSI & ANSI Export Specs)	
	Not Required		110V/220V (Australian, Latin American & Brazilian Specs) (Purchase Locally)	
	See Note		110V/220V (CE Spec) (Note: See Item 808M)	
808			AC to Platform Receptacle Components Options:	
	0256113	Ref	110V/60Hz GFI Receptacle (ANSI, ANSI Export & Japanese Specs)	5
	0256201	Ref	110V/50Hz Receptacle (Plug & Receptacle Supplied Locally) (Australian, Brazilian, Latin America Specs)	4
	0257175	Ref	220V Receptacle (ANSI & ANSI Export Specs)	4
		Ref	CE Specs Options Only:	
			Without Generator:	
	0256201	Ref	110V/50Hz Receptacle (Plug & Receptacle Supplied Locally)	3
	0273076	Ref	110V/50Hz Receptacle (See Next Figure for Components)	A
	0273078	Ref	CE Germany Specs (See Next Figure for Components)	A
	0275455	Ref	220V with CEE 7 Post Ground Receptacle & Plug & Circuit Breaker (2x4 Box)	D
	0275456	Ref	220V with CEE 7 Side Ground Receptacle & Plug & Circuit Breaker (2x4 Box)	D
	0275659	Ref	220V with AFSINT 107 Keyed Ground Receptacle & Plug & Circuit Breaker (2x4 Box)	D
	0275235	Ref	110V with IEC Yellow Receptacle & Plug & Circuit Breaker	D
	0275254	Ref	220V with IEC Blue Receptacle & Plug & Circuit Breaker	D
	0275237	Ref	220V with CEE 7 Post Ground Receptacle & Plug & Circuit Breaker (70mm x 70mm Box)	D
	Use 1001153312	Ref	220V with CEE 7 Side Ground Receptacle & Plug & Circuit Breaker (70mm x 70mm Box) (was p/n 0275253)	A/D
	1001100390	Ref	With Generator: 220V with CEE 7 Post Ground Receptacle & Plug & Circuit Breaker (2x4 Box)	D

SECTION 7 ELECTRICAL

FIGURE 7-2. HARNESS COMPONENTS INSTALLATION (WITHOUT UGM) (CONTINUED)

ITEM #	PART NUMBER	QTY.	DESCRIPTION	REV.
808 (cont'd)	1001100391	Ref	220V with CEE 7 Side Ground Receptacle & Plug & Circuit Breaker (2x4 Box)	D
	1001100392	Ref	220V with AFSINT 107 Keyed Ground Receptacle & Plug & Circuit Breaker (2x4 Box)	C
	1001100393	Ref	110V with IEC Yellow Receptacle & Plug & Circuit Breaker	C
	1001100394	Ref	220V with IEC Blue Receptacle & Plug & Circuit Breaker	C
	1001100395	Ref	220V with CEE 7 Post Ground Receptacle & Plug & Circuit Breaker (70mm x 70mm Box)	C
	1001100396	Ref	220V with CEE 7 Side Ground Receptacle & Plug & Circuit Breaker (70mm x 70mm Box)	C
808A	1		Box, Switch Options:	
	0860038		0256113 & 0257175 Installations	
	Not Required		0256201 Installation (Purchase Locally)	
	0861731		0275455, 0275456, 0275659, 1001100390, 1001100391 & 1001100392 Installations	
	0861781		0275235, 0275254, 1001100393 & 1001100394 Installations	
	See Note		0275237, 0275253, 1001100395, 1001100396 & 1001153312 Installations (Note: Was p/n 0861782 which is no longer available. Use p/n 1001100344 CEE 7 Side Ground Service Kit or p/n 1001100343 CEE 7 Post Ground Service Kit. Kit include Box p/n 1001141967 & items 808B, 808C, 808E & 808M.)	
808B	1001141967	1	1001100343, 1001100344, 1001141970 & 1001141971 Kits	
	4460346		Receptacle Options:	
	4460125		0256113 Installation	
	Not Required		0257175 Installation	
	4461244		0256201 Installation (Purchase Locally)	
	4461245		0275455 & 1001100390 Installations	
	4461246		0275456 & 1001100391 Installations	
	4461198		0275659 & 1001100392 Installations	
	4461201		0275235 & 1001100393 Installations	
	Use 1001100343		0275254 & 1001100394 Installations	
	Use 1001100344		0275237 & 1001100395 Installations (was p/n 4461204)	
808C	1001141968	1	0275253, 1001100396 & 1001153312 Installations (was p/n 4461207)	
	1001141969		1001100343 & 1001141971 Kits	
	4060700		1001100344 & 1001141970 Kits	
	1001110873		Shield, Cover Options:	
	4060092		0256113 Installation (SN 0300087000 to SN 0300138241)	
	Not Required		0256113 Installation (SN 0300138241 to SN 0300171769)	
	4461244		0257175 Installation	
	4461245		0256201 Installation (Purchase Locally)	
4461246		0275455 & 1001100390 Installations		
4461198		0275456 & 1001100391 Installations		
4461201		0275659 & 1001100392 Installations		
			0275235 & 1001100393 Installations	
			0275254 & 1001100394 Installations	

SECTION 7 ELECTRICAL

FIGURE 7-2. HARNESS COMPONENTS INSTALLATION (WITHOUT UGM) (CONTINUED)

ITEM #	PART NUMBER	QTY.	DESCRIPTION	REV.	
808C (cont'd)	Use 1001100343		0275237 & 1001100395 Installation (was p/n 4461204)		
	Use 1001100344		0275253, 1001100396 & 1001153312 Installation (was p/n 4461207)		
808D	1001141968	1	1001100343 & 1001141971 Kits		
	1001141969	1	1001100344 & 1001141970 Kits		
	4460071	1	Connector, Strain Relief Options: 0256113 & 0257175 Installations		
	Not Required 4460968	1	0256201 Installation (Purchase Locally) 0275455, 0275456, 0275659, 0275235, 0275254, 0275237, 0275253, 1001100390, 1001100391, 1001100392, 1001100393, 1001100394, 1001100395, 1001100396 & 1001153312 Installations		
808E	4460205	1	Plug, Male Options: 0256113 Installation		
	4460233		0257175 Installation		
	Not Available		0256201 Installation (Purchase Locally)		
	4461202		0275237, 0275455, 1001100390 & 1001100395 Installations & 1001100343 & 1001141971 Kits		
	4461205		0275453, 0275256, 1001100391 & 1001100396 Installations & 1001100344 & 1001141970 Kits		
	4461249		0275659 & 1001100392 Installations		
	4461196 4461199		0275235 & 1001100393 Installations 0275254 & 1001100394 Installations		
808F		AR	Hardware Options:		
	0641405		Bolt 1/4in - 20NC x 5/8in		
	0641407		Bolt 1/4in - 20NC x 7/8in		
	0641410		Bolt 1/4in - 20NC x 1-1/4in		
	0641416		Bolt 1/4in - 20NC x 2in		
	0700408		Screw M4 x 16mm		
	3290405		Locknut M4		
	3311405		Locknut 1/4in - 20NC		
	4711400		Flatwasher 1/4in (Narrow)		
	4811400		Flatwasher M4		
	1320149 0100011		Clamp, Stauff Compound, Locking		
808G		AR	Bracket, Receptacle Box Mounting Options:		
	Not Required		0	0256113, 0257175 & 0256201 Installations	
	0903484	1	0275455, 0275456, 0275659, 0275235, 0275254, 0275237, 0275253, 1001100390, 1001100391, 1001100392, 1001100393, 1001100394, 1001100395, 1001100396 & 1001153312 Installations		
808H		AR	Bracket, Circuit Breaker Mounting Options:		
	Not Required		0	0256113, 0257175 & 0256201 Installations	
	0903611		1	0275455, 0275456, 0275659, 0275235, 0275254, 0275237, 0275253, 1001100390, 1001100391, 1001100392, 1001100393, 1001100394, 1001100395, 1001100396 & 1001153312 Installations	
	1001154592	1	1001153312 Installation		

SECTION 7 ELECTRICAL

FIGURE 7-2. HARNESS COMPONENTS INSTALLATION (WITHOUT UGM) (CONTINUED)

ITEM #	PART NUMBER	QTY.	DESCRIPTION	REV.
808J		AR	Kit, Box and Breaker (Required Only on CE Spec Installations Except 0256201 Installation):	
	2902549		Without Generator	D
	1001096070		With 110V Generator	D
	1001109554		With 220V Generator	B
		1	Circuit Breaker Options:	
	See Note		Without Generator	
			(Note: For machines equipped with a single circuit breaker use both p/ns 1001109475 & 1001109482 as replacement.)	
	1001109475	1	Circuit Breaker, 16A	
	1001109482	1	Circuit Breaker, 30MA RCD	
			With 110V Generator	
	1001109475	1	Circuit Breaker, 16A	
	1001109482	1	Circuit Breaker, 30MA RCD	
			With 220V Generator	
	1001109477	1	Circuit Breaker, 10A	
	1001109482	1	Circuit Breaker, 30MA RCD	
	0861880	1	Breaker Box	
	4460956	1	Barrier, Terminal Block End	
	4460957	1	Block, Terminal	
808K		2	Connector, Strain Relief Options (Required Only on CE Spec Installations Except 0256201 Installation):	
	4460633		M20 Thread	
	1001097150		M25 Thread	
808L	1060908	AR	Cable, Extension (Required Only on CE Spec Installations Except 0256201 Installation)	
		6ft/1.8m	Without Generator	
		12ft/3.6m	With Generator	
808M		1	Receptacle, Female Options:	
	4461203		1001100390 & 1001100395 Installations & 1001100343 & 1001141971 Kits	
	4461206		1001100391 & 1001100396 Installations & 1001100344 & 1001141970 Kits	
	4461250		1001100392 Installation	
	4461197		1001100393 Installation	
	4461200		1001100394 Installation	
	0275452		Receptacle Box Kit (220V CEE 7 Post Ground) (Includes Items 808A, 808B, 808C & 808E) (0275455 Installation)	1
	1001100345		Receptacle Box Kit (220V CEE 7 Post Ground) (Includes Items 808A-808C, 808E & 808M) (1001100390 Installation)	2
	0275453		Receptacle Box Kit (220V CEE 7 Side Ground) (Includes Items 808A, 808B, 808C & 808E) (0275456 Installation)	1
	1001100347		Receptacle Box Kit (220V CEE 7 Side Ground) (Includes Items 808A-808C, 808E & 808M) (1001100391 Installation)	3
	0275454		Receptacle Box Kit (220V AFSINT 107 Keyed Ground) (Includes Items 808A, 808B, 808C & 808E) (0275659 Installation)	1
	1001100346		Receptacle Box Kit (220V AFSINT 107 Keyed Ground) (Includes Items 808A-808C, 808E & 808M) (1001100392 Installation)	2

SECTION 7 ELECTRICAL

FIGURE 7-2. HARNESS COMPONENTS INSTALLATION (WITHOUT UGM) (CONTINUED)

ITEM #	PART NUMBER	QTY.	DESCRIPTION	REV.
	0275216		Receptacle Box Kit (110V IEC Yellow) (Includes Items 808A, 808B, 808C & 808E) (0275235 Installation)	1
	1001100341		Receptacle Box Kit (110V IEC Yellow) (Includes Items 808A-808C, 808E & 808M) (1001100393 Installation)	2
	0275217		Receptacle Box Kit (220V IEC Blue) (Includes Items 808A, 808B, 808C & 808E) (0275254 Installation)	1
	1001100342		Receptacle Box Kit (220V IEC Blue) (Includes Items 808A-808C, 808E & 808M) (1001100394 Installation)	2
	Use 1001100343		Receptacle Box Kit (220V CEE 7 Post Ground) (Includes Items 808A-808C, 808E & 808M) (0275237 Installation) (was p/n 0275218)	B/B
	1001100343		Receptacle Box Kit (220V CEE 7 Post Ground) (Includes Items 808A-808C, 808E & 808M) (1001100395 Installation)	B
	Use 1001100344		Receptacle Box Kit (220V CEE 7 Side Ground) (Includes Items 808A-808C, 808E & 808M) (0275253 & 1001153312 Installation) (was p/n 0275219)	B/B
	1001100344		Receptacle Box Kit (220V CEE 7 Side Ground) (Includes Items 808A-808C, 808E & 808ME) (1001100396 Installation)	B
809		Ref	7500W SkyPower Generator Installation	
	0273540	Ref	60Hz & Caterpillar Engine	H
	0273541	Ref	50Hz Spec & Caterpillar Engine	H
	0272255	Ref	60Hz & Deutz Engine	I
	0272640	Ref	60Hz & Deutz Engine (Brazilian Spec Only)	G
	0272492	Ref	50Hz Spec & Deutz Engine	H
	0272817	Ref	60Hz Spec & Ford Engine	E
	0275257	Ref	60Hz Spec & GM Engine	E
		Ref	Note: SkyPower generator is standard on ANSI & CSA Specs. Optional on All Other Specs.	
809A		1	Receptacle, Female Twist-Lock Options:	
	4460958		60Hz Spec	
	See Note		50Hz Spec (Note: Not Available - Purchase Locally.)	
809B		2	Gasket Options:	
	3960422		60Hz Spec	
	See Note		50Hz Spec (Note: Not Available - Purchase Locally.)	
809C		1	Cover, Receptacle Options:	
	4060700		60Hz Spec (SN 0300087000 to SN 0300138110)	
	1001110873		60Hz Spec (SN 0300138110 to SN 0300171769)	
	See Note		50Hz Spec (Note: Not Available - Purchase Locally.)	
809D		1	Cover, Receptacle Options:	
	4061043		60Hz Spec (SN 0300087000 to SN 0300138110)	
	1001110872		60Hz Spec (SN 0300138110 to SN 0300171769)	
	See Note		50Hz Spec (Note: Not Available - Purchase Locally.)	
809E		1	Receptacle Options:	
	4460346		60Hz Spec	
	See Note		50Hz Spec (Note: Not Available - Purchase Locally.)	
809F	4460051	1	Connector, Strain Relief	
809G	4460071	1	Connector, Strain Relief	
809H	4922925	1	Harness, Generator	
809I	See Note	1	Plug, Male - 6 Position (Note: Not Available for Purchase.)	
	See Note	6	Socket, Female (Note: Not Available for Purchase.)	

SECTION 7 ELECTRICAL

FIGURE 7-2. HARNESS COMPONENTS INSTALLATION (WITHOUT UGM) (CONTINUED)

ITEM #	PART NUMBER	QTY.	DESCRIPTION	REV.
809J	4460225	1	Plug, Male - 6 Position	
	4460226	6	Socket, Female	
810		Ref	7500W SkyPower Generator Junction Box Components	
	0861542	Ref	60Hz Spec	C
	0861567	Ref	50Hz Specs	B
810A		2ft/.6m	Cable, Electrical 12/3	
	1060494		60Hz Spec	
	See Note		50Hz Spec (Note: Not Available - Purchase Locally.)	
810B		2.5ft/.76m	Cable, Electrical 10/3	
	1060708		60Hz Spec	
	See Note		50Hz Spec (Note: Not Available - Purchase Locally.)	
810C	1060343	1.5ft/.46m	Cable, Electrical 10/4 (60Hz Spec Only)	
810D	4460425	2	Connector, Strain Relief	
810E		AR	Component Options:	
	4460426	2	Connector, Strain Relief (60Hz Spec Only)	
	4460426	1	Connector, Strain Relief (50Hz Spec Only)	
	3520189	1	Plug (50Hz Spec Only)	
810F	1671092	1	Cover (60Hz Spec Only)	
	4460963	1	Connector (60Hz Spec Only)	
811		Ref	7500W Generator Electrical Diagram Components	
	4933264	Ref	Caterpillar & Deutz Engine Machines	C
	4933283	Ref	Ford Engine Machines	2/B
	4933349		GM Engine Machines	1/A
811A		1	Generator Harness Options:	
	4922757		Caterpillar & Deutz Engine Machines	3/C
	4922905		Ford Engine Machines	1/A
	4923420		GM Engine Machines	A
811B	4460374	2	Plug, Sealed Relay	
	4460375	7	Terminal	
811C	4460967	1	Plug, Male - 3 Position	
	4460465	3	Socket, Female	
811D	2400060	AR	Fuseholder Options:	
		1	Caterpillar, Deutz & GM Engine Machines	
		2	Ford Engine Machines	
	2400064	AR	Fuse - 5 Amp Options:	
		1	Caterpillar, Deutz & GM Engine Machines	
		2	Ford Engine Machines	
811E	4922641	1	Switch Harness	
811F	4460226	2	Socket, Female	
811G	4460742	1	Plug, Male - 2 Position (GM Engine Only)	
	4460743	2	Socket, Female (GM Engine Only)	
812	4933313	1	Floodlights Harness Components	1/A
812A	4460320	2	Plug, Male - 2 Position	
	4460227	4	Pin, Male	
812B	4922764	1	Floodlight Harness (Lights to Switch)	1/A
812C	4460424	2	Connector, Female - 2 Position	
	4460226	4	Socket, Female	
812D	4360232	1	Circuit Breaker - 15 Amp	
812E	1060977	1	Cord, 2 Wire Coiled (Console Box Circuit Breaker to Switch)	

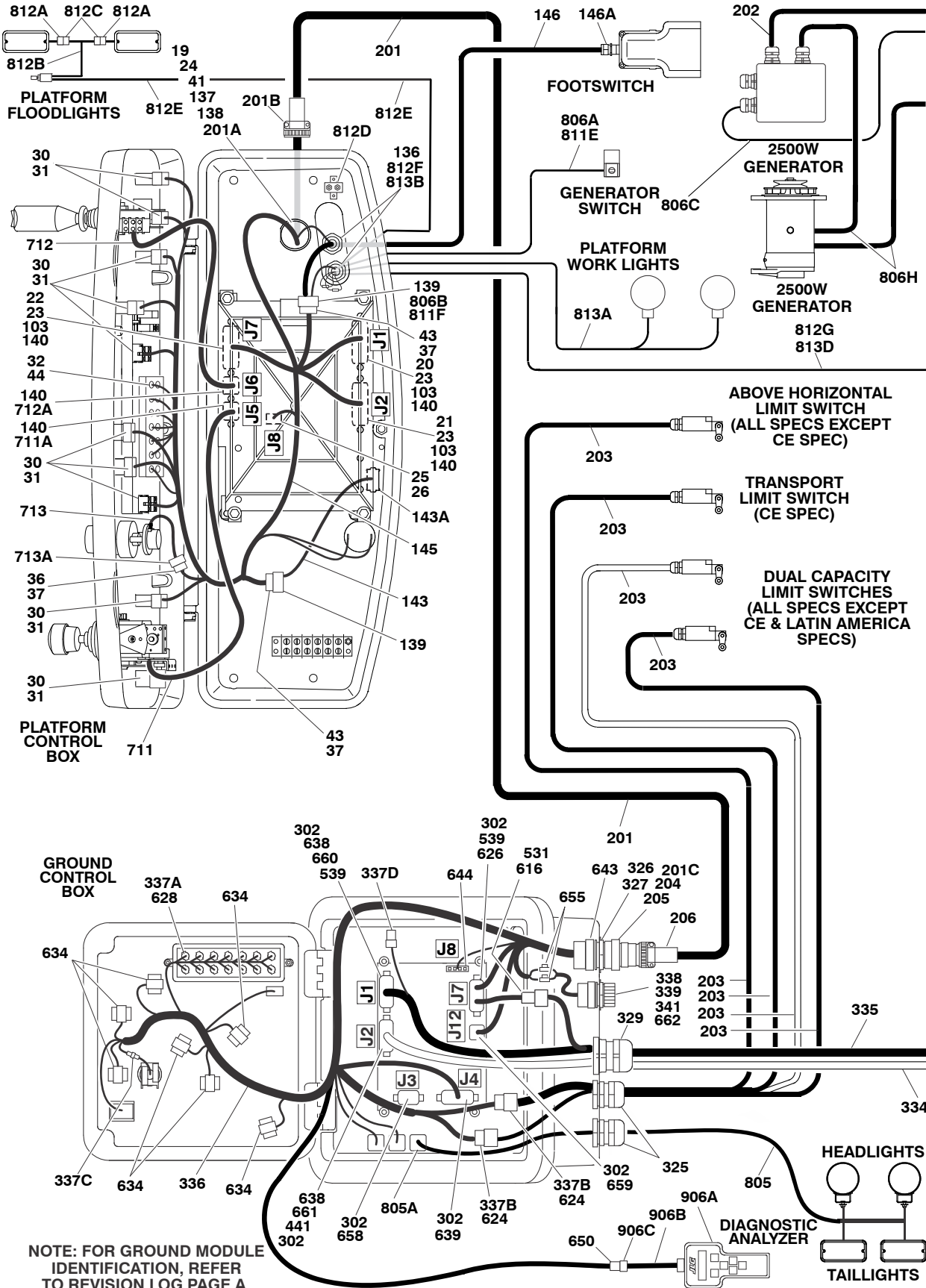
SECTION 7 ELECTRICAL

FIGURE 7-2. HARNESS COMPONENTS INSTALLATION (WITHOUT UGM) (CONTINUED)

ITEM #	PART NUMBER	QTY.	DESCRIPTION	REV.
812F	4460425	1	Connector, Strain Relief	
812G		1	Harness, Console Box to Aux Relay Options:	
	4922888		600S & 600SJ Harness (77ft/23.5m of 12/3 Cable P/N 1060494)	
	4922964		660SJ Harness (83ft/25.4m of 12/3 Cable P/N 1060494)	
813		AR	Platform Worklights Components	
813A	2920140	2	Platform Worklights External Harness (Includes Light & Wire Only)	
813B	4460426	1	Connector, Strain Relief	
813C	2400070	1	Fuse	
	2400066	1	Holder, Fuse	
813D		1	Harness, Console Box to Aux Relay Options:	
	4922888		600S & 600SJ Harness (77ft/23.5m of 12/3 Cable P/N 1060494)	
	4922964		660SJ Harness (83ft/25.4m of 12/3 Cable P/N 1060494)	
		Ref	TOOLS	
901	7002821	1	Crimper (For Wire to Pin/Socket Connections) (Not Shown)	
902	7002823	1	Extractor (For Removal of Pin/Socket from Connectors) (Not Shown)	
903	4460467	1	Extractor, Pin (Blue 16-18 Gauge) (For Removal of Pin/Socket from Connectors) (Not Shown)	
904	4460510	1	Extractor, Pin (Yellow 12-14 Gauge) (For Removal of Pin/Socket from Connectors) (Not Shown)	
905	7002828	1	Stripper, Wire (Not Shown)	
906	2901443	1	Analyzer Kit (Not Shown)	
906A	1600244	1	Analyzer	
906B	1060633	1	Cable, Analyzer	1/A
906C	4460321	2	Plug, Male	
	4460226	8	Socket, Female	

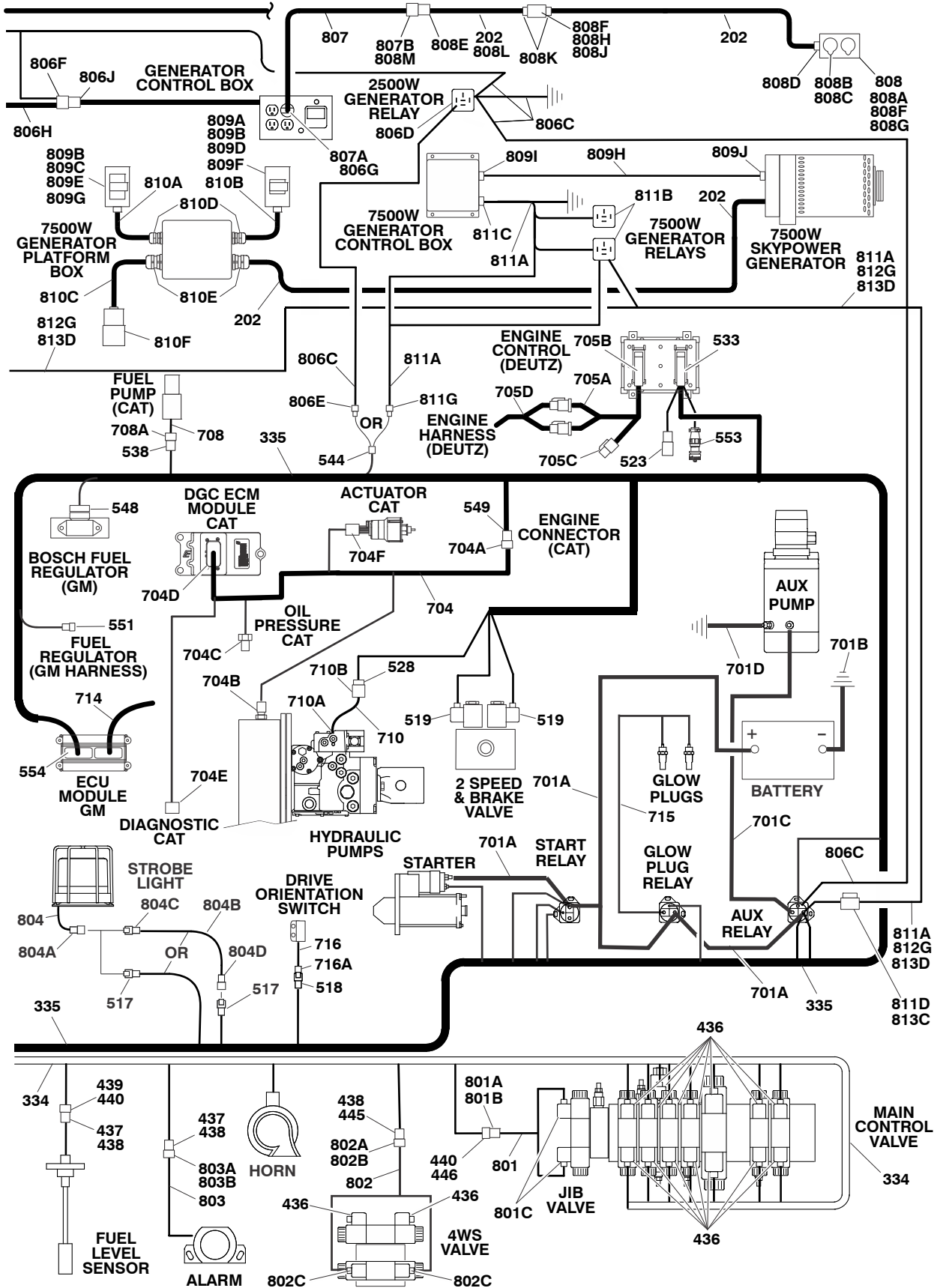
SECTION 7 ELECTRICAL

FIGURE 7-3. HARNESS COMPONENTS INSTALLATION (WITH UGM)



NOTE: FOR GROUND MODULE IDENTIFICATION, REFER TO REVISION LOG PAGE A.

SECTION 7 ELECTRICAL



SECTION 7 ELECTRICAL

FIGURE 7-3. HARNESS COMPONENTS INSTALLATION (WITH UGM)

ITEM #	PART NUMBER	QTY.	DESCRIPTION	REV.
		Ref	Note: For Ground Module Identification, Refer to Revision Log Page A	
	1001107753	Ref	PLATFORM BOX HARNESS ASSEMBLY	D
1 to 18	Not Used			
19	4460866	1	Terminal, 19 Pin Receptacle	
20	4460874	1	Connector - 35 Position (Natural)	
21	4460875	1	Connector - 35 Position (Gray)	
22	4460873	1	Connector - 35 Position (Black)	
23	4460871	79	Socket, Female	
24	4460464	7	Pin, Male (16 Gauge)	
25	4460879	1	Terminal, Housing 2 Position	
26	4460887	2	Terminal, (12 Gauge)	
27 to 29	Not Used			
30	4460418	9	Connector - 6 Position	
31	4460419	27	Terminal, Female	
32	4120035	13	Base, Light	
33 to 35	Not Used			
36	4460225	1	Plug, Male- 6 Position	
37	4460227	6	Pin, Male	
38 to 40	Not Used			
41	4460508	3	Pin, Male (12 Gauge)	
42	Not Used			
43	4460434	2	Connector - 15 Position	
44	2920129	13	Lamp, Indicator	
		Ref	PLATFORM BOX ASSEMBLY COMPONENTS	
101 to 102	Not Used			
103	0100048	AR	Grease, Dielectric	
104 to 135	Not Used			
136	4460428	2	Connector, Strain Relief	
137	4460470	1	Nut, Terminal	
138	4460471	1	Lockwasher, Terminal	
139	4460708	2	Connector, Female - 15 Position	
140	4460905	5	Seal, Plug	
141 to 142	Not Used			
143	4922666	1	Harness, Analyzer Cable	2/B
	4460226	4	Socket, Female (Not Shown - Located at J2)	
143A	4460761	1	Connector, Female - 4 Position	
	4460227	4	Pin, Male	
144	Not Used			
145	1001107753	1	Harness, Platform Console Box Options (Includes Items 1-44):	
146	See Note	1	Footswitch Harness (Note: Not Available for Purchase.)	
	1060918	7ft/2.1m	Cable, Electrical - 18/3	
146A	4460071	1	Connector, Strain Relief	

SECTION 7 ELECTRICAL

FIGURE 7-3. HARNESS COMPONENTS INSTALLATION (WITH UGM) (CONTINUED)

ITEM #	PART NUMBER	QTY.	DESCRIPTION	REV.
		Ref	BOOM CABLES INSTALLATION	
		Ref	600S:	
	0270733	Ref	ANSI, ANSI Export, Brazilian, CSA, Japanese Specs without 7500W Generator	5
	0270734	Ref	CE & Latin American Specs without 7500W Generator	6
	0272483	Ref	ANSI, ANSI Export, Australian, CSA Specs with 7500W Generator	3
	0272484	Ref	Brazilian, CE, Japanese, Latin American Specs with 7500W Generator	3
	0275924	Ref	ANSI, ANSI Export, CSA Specs without 7500W Generator and Arctic Package	2
	0275925	Ref	ANSI, ANSI Export, CSA Specs with 7500W Generator and Arctic Package	3
		Ref	660SJ:	3
	0270736	Ref	ANSI, ANSI Export, Australian, Brazilian, CSA, Japanese, Latin American Specs without 7500W Generator	3
	0270735	Ref	CE Specs without 7500W Generator	3
	0272485	Ref	ANSI, ANSI Export, Australian, CSA, Latin American Specs with 7500W Generator	2
	0272486	Ref	Brazilian, CE, Japanese Specs with 7500W Generator	2
	0275339	Ref	ANSI, ANSI Export, CSA Specs without 7500W Generator and Arctic Package	1
	0275831	Ref	ANSI, ANSI Export, CSA Specs with 7500W Generator and Arctic Package	2
201		1	Harness, Main Boom Options:	
			600S:	
	4922468		ANSI, ANSI Export, CE, CSA, Australian, Brazilian, Japanese, Latin American Spec	
	4923657		ANSI, ANSI Export, CSA Spec (With Arctic Package)	
			660SJ:	
	4922467		ANSI, ANSI Export, Australian, CE, CSA, Brazilian, Japanese, Latin American Spec	
	4923509		ANSI, ANSI Export, CSA Spec (With Arctic Package)	
	1060896	AR	Cable Options:	
		67ft/20.4m	600S	
		75ft/22.8m	660SJ	
	4923462	AR	Cable Options (With Arctic Package):	
		67ft/20.4m	600S	
		75ft/22.8m	660SJ	
201A	4460465	11	Socket, Female - #16	
	4460865	1	Plug, Connector (19 Pin)	
	4460509	4	Socket, Female - #12	
	4460466	4	Seal, Plug	
201B	4460473	1	Clamp, Cable	
201C	4460465	11	Socket, Female - #16	
	4460509	4	Socket, Female - #12	

SECTION 7 ELECTRICAL

FIGURE 7-3. HARNESS COMPONENTS INSTALLATION (WITH UGM) (CONTINUED)

ITEM #	PART NUMBER	QTY.	DESCRIPTION	REV.
202		AR	Harness, Generator Options: (Does not include plug ends) 600S without 7500W Generator	
	4922889		ANSI, ANSI Export, Australian, Brazilian, CSA, Japanese Specs (69.5ft/21.8m of 12/3 ANSI Spec Cable P/N 1060494)	
	4922884		CE & Latin American Specs (69.5ft/21.8m of 12/3 CE Spec Cable P/N 1060461)	
	4923660		ANSI, ANSI Export, CSA Specs (69.5ft/21.8m of 12/3 Cable P/N 4923463) (With Arctic Package)	
	Use 4922792		600S with 7500W Generator (83ft/25.3m of 8/5 Cable P/N 1060945) (For Arctic Machines p/n was 4923658)	
	4922888		660SJ without 7500W Generator ANSI, ANSI Export, Australian, Brazilian, CSA, Japanese, Latin American Specs (77ft/23.5m of 12/3 ANSI Spec Cable P/N 1060494)	
	4922886		CE Specs (77ft/23.5m of 12/3 CE Spec Cable P/N 1060461)	
	4923510		ANSI, ANSI Export, CSA Specs (77ft/23.5m of 12/3 Cable P/N 4923463) (With Arctic Package)	
	Use 4922791		660SJ with 7500W Generator (90.5ft/27.6m of 8/5 Cable P/N 1060945) (For Arctic Machines p/n was 4923630)	
203		AR	Cable, Limit Switch Options: 600S:	
	1061026	1	ANSI, ANSI Export, Australian, Brazilian, CE, CSA, Latin American, Japanese Specs (25.5ft/7.8m of 18/2 Cable P/N 1060680)	
	4923659	1	ANSI, ANSI Export, CSA Spec (25.5ft/7.8m of 18/2 Cable P/N 4923466) (With Arctic Package)	
	1061027	2	ANSI, ANSI Export, Australian, CSA, Brazilian, Japanese Specs (13.5ft/4.2m of 18/2 Cable P/N 1060680)	
	1061027	1	660SJ: ANSI, ANSI Export, Australian, Brazilian, CSA, Latin American, Japanese Specs (13.5ft/4.2m of 18/2 Cable P/N 1060680)	
	1061026	1	Brazilian, CE, Japanese Specs (25.5ft/7.8m of 18/2 Cable P/N 1060680)	
	4923511	1	ANSI, ANSI Export, CSA Spec (13.5ft/4.2m of 18/2 Cable P/N 4923466) (With Arctic Package)	
204	4460865	1	Plug, Connector (19 Pin)	
205	4460466	4	Seal, Plug	
206	4460473	1	Clamp, Cable	
207	4100026	AR	Sleeve, Nylon (Required on 600S Only - Not Shown)	
		10ft/3.0m	USA Built Machines SN 0300087000 to SN 0300137883	
		4ft/1.2m	USA Built Machines SN 0300137883 to SN 0300171769	
		4ft/1.2m	China Built Machines SN B300000100 to Present	
		Ref	GROUND CONTROL BOX COMPONENTS	
301	Not Used			
302	0100048	AR	Grease, Dielectric	
303 to 324	Not Used			

SECTION 7 ELECTRICAL

FIGURE 7-3. HARNESS COMPONENTS INSTALLATION (WITH UGM) (CONTINUED)

ITEM #	PART NUMBER	QTY.	DESCRIPTION	REV.
325	4460426	2	Connector, Strain Relief	
326	4460470	1	Nut, Terminal	
327	4460471	1	Lockwasher, Terminal	
328	Not Used			
329	4460526	1	Connector, Strain Relief	
332 to 333	Not Used			
334	4923206	1	Valve Harness Assembly (See 401 to 446 for Breakdown):	C
335			Engine Harness Assembly (See 501 to 554 for Breakdown):	
	1001110362	1	Caterpillar Engine Machines	
	1001110361	1	Deutz Engine Machines	
	1001110359	1	GM Engine Machines	
336	1001108602	1	Ground Control Box Harness Assembly (See Items 601-662 for Breakdown)	
337		1	Ground Control Box Wiring Diagram (Not Shown)	
	1001110365		Caterpillar Engine	D
	1001110364		Deutz Engine	D
	1001110363		GM Engine	C
337A	2920129	AR	Bulb, Light	
337B	4460708	AR	Receptacle, Female - 15 Position	
	4460226	AR	Socket, Female	
	4922637	1	Harness, Jumper (Not Shown)	
	4922636	1	Harness, Jumper (Not Shown)	
337C	2400065	1	Fuse, 30Amp	
	2400066	1	Fuse, Holder with Cover	
337D	4460894	1	Plug, Male - 6 Position	
	4460892	1	Receptacle, Female - 6 Position	
338	4460496	1	Lockwasher, Terminal	
339	4460497	1	Nut, Terminal	
340	Not Used			
341	1001106736	1	Cap, Dust	
	4923206	Ref	VALVE HARNESS ASSEMBLY	2/B
401 to 435	Not Used			
436	4460880	15	DIN Connector	
437	4460320	2	Plug, Male - 2 Position	
438	4460267	5	Pin, Male	
439	4460424	1	Receptacle, Female - 2 Position	
440	4460268	5	Socket, Female	
441	4460871	28	Socket, Female	
442 to 444	Not Used			
445	4460326	1	Plug, Male - 3 Position	
446	4460445	1	Receptacle, Female - 3 Position	

SECTION 7 ELECTRICAL

FIGURE 7-3. HARNESS COMPONENTS INSTALLATION (WITH UGM) (CONTINUED)

ITEM #	PART NUMBER	QTY.	DESCRIPTION	REV.
		Ref	ENGINE HARNESS ASSEMBLIES	
	1001110362	Ref	Caterpillar Engine Machines	B
	1001110361	Ref	Deutz Engine Machines	A
	1001110359	Ref	GM Engine Machines	A
501 to 516	Not Used			
517	4460424	1	Receptacle, Female - 2 Position	
	4460268	2	Socket, Female	
518	4460424	1	Receptacle, Female - 2 Position	
	4460226	2	Socket, Female	
519	4460880	2	DIN Connector without Diode	
520 to 522	Not Used			
523	4461070	1	Receptacle, Female With Resistor (3 Position) (Deutz Engine Only)	
	4461095	1	Plug, Male - 3 Position (Deutz Engine Only)	
	4460944	3	Socket, Female (Deutz Engine Only)	
524 to 527	Not Used			
528	4460460	1	Connector, Male - 4 Position	
	4460457	AR	Terminal, Female	
	4460458	AR	Seal, Terminal	
529 to 530	Not Used			
531	4460539	1	Connector, Male - 3 Position	
	4460944	3	Socket, Female	
532	Not Used			
533	4461052	1	Connector, Receptacle - 25 Position (Deutz Engine Only)	
	4461005	5	Terminal (Gold) (Deutz Engine Only)	
	4461006	5	Seal, Terminal (Deutz Engine Only)	
	4461060	2	Terminal (Tin) (Deutz Engine Only)	
	4461054	2	Seal, Terminal (Deutz Engine Only)	
	4461053	1	Cover, Plug (Deutz Engine Only)	
	4461008	AR	Plug, Hole (Deutz Engine Only)	
534 to 537	Not Used			
538	4460891	1	Plug, Male - 2 Position (Caterpillar Engines Only)	
	4460465	2	Socket, Female (Caterpillar Engines Only)	
539	4460871	AR	Socket, Female	
540 to 543	Not Used			
544	4461157	1	Receptacle, Female - 2 Position	
	4460979	2	Pin, Male	
	4460458	2	Seal, Terminal	
545 to 547	Not Used			
548	4461121	1	Plug, Male - 4 Position (GM Engine Only)	
	4461122	4	Socket, Female (GM Engine Only)	
	4461123	4	Seal, Terminal (GM Engine Only)	
549	4460899	1	Connector - 6 Position (Caterpillar Engines Only)	
	4460464	5	Pin, Male (Caterpillar Engines Only)	
	4460466	1	Seal, Plug (Caterpillar Engines Only)	
550	Not Used			

SECTION 7 ELECTRICAL

FIGURE 7-3. HARNESS COMPONENTS INSTALLATION (WITH UGM) (CONTINUED)

ITEM #	PART NUMBER	QTY.	DESCRIPTION	REV.
551	4461124	1	Receptacle, Female - 4 Position (GM Engine Only)	
	4460693	4	Pin, Male (GM Engine Only)	
	4460608	4	Seal, Terminal (GM Engine Only)	
	4461161	1	Lock, Terminal (GM Engine Only)	
552	Not Used			
553	2902443	1	Kit, Receptacle (Deutz Engine Only)	
	4461071	8	Terminal, Female (Gold) (Deutz Engine Only)	
	4461072	1	Connector, Flange Mount (Deutz Engine Only)	
	4461073	1	Connector, Dust Cap (Deutz Engine Only)	
	4461074	1	Connector, Shell (Deutz Engine Only)	
554	4461109	1	Plug, Male - 16 Position (GM Engine Only)	
	4461111	7	Pin, Male (GM Engine Only)	
	4461113	7	Seal, Terminal (GM Engine Only)	
	4461222	9	Plug, Cavity (GM Engine Only)	
	1001108602	Ref	GROUND CONTROL HARNESS ASSEMBLY	C
601 to 615	Not Used			
616	4460536	1	Connector, Female - 3 Position (Caterpillar/Deutz/GM Engines Only)	
	4460943	3	Pin, Male (Caterpillar/Deutz/GM Engines Only)	
617 to 620	Not Used			
621	3990010	2	Diode - 6 Amp (Not Shown)	
622 to 623	Not Used			
624	4460434	2	Plug, Male 15 - Position	
	4460227	AR	Pin	
625	Not Used			
626	4460873	1	Plug, Male - 35 Position (Black)	
	4460871	AR	Socket, Female	
	4460905	AR	Plug, Seal	
627	Not Used			
628	4120035	6	Base, Light	
	4460634	7	Terminal (16 Gauge)	
	4460635	5	Terminal (12 Gauge)	
629 to 633	Not Used			
634	4460418	AR	Connector, Female - 6 Position	
	4460419	AR	Socket, Female	
635 to 637	Not Used			
638	4460871	9	Socket, Female	
639	4460876	1	Plug, Male - 35 Position (Blue)	
	4460871	AR	Socket, Female	
	4460905	AR	Plug, Seal	
640 to 642	Not Used			
643	4460866	1	Connector - 19 Pin	
	4460464	10	Pin, Male (16 Gauge)	
	4460508	3	Pin, Male (12 Gauge)	
644	4460878	1	Housing, Terminal - 4 Position	
	4460887	3	Terminal (12 Gauge)	
645 to 649	Not Used			

SECTION 7 ELECTRICAL

FIGURE 7-3. HARNESS COMPONENTS INSTALLATION (WITH UGM) (CONTINUED)

ITEM #	PART NUMBER	QTY.	DESCRIPTION	REV.
650	4460761	1	Connector, Female 4 - Position	
	4460227	4	Pin, Male	
651 to 654	Not Used			
655	8229242	2	Fuse 5A	
	2400060	2	Holder, Fuse	
656 to 657	Not Used			
658	1001106339	1	Connector, Male - 14 Position	
	4460871	2	Socket, Female	
	4460905	AR	Plug, Seal	
659	1001106340	1	Connector, Male - 14 Position	
	4460871	5	Socket, Female	
660	4460874	1	Connector, Natural	
	4460871	10	Socket, Female	
	4460905	AR	Plug, Seal	
661	4460875	1	Connector, Gray	
	4460871	2	Socket, Female	
662	1001112612	1	Connector - 9 Position	
	4460871	2	Socket, Female	
		Ref	STANDARD HARNESS COMPONENTS	
701		1	Battery Cable Kit Options:	
	1001112763		Caterpillar Engines Machines (2 Relays on Engine Tray)	A
	2902296		Deutz Engines Machines (3 Relays on Engine Tray)	C
	2902531		GM Engine Machines	A
701A		1	Cable, Battery (Red) Options:	
	7027028		Caterpillar Engines Machines	
	1001116240	1	Deutz Engines Machines	
	7027015		GM Engine Machines	
701B		1	Cable, Battery (Black) Options:	
	7027029		Caterpillar Engines Machines	
	7027004		Deutz Engines Machines	
	7016822		GM Engine Machines	
701C	7027002	1	Cable (Red)	
701D		1	Cable (Black) Options:	
	7027033		Caterpillar Engines Machines	
	7027003		Deutz Engines Machines	
702 to 703	Not Used			
704	1001112071	1	Caterpillar Engine Harness Components (Caterpillar Engine Machines Only)	A
	70004318	1	Fuse 5 Amp (at Fuse Box F1)	
	70004319	3	Fuse 10Amp (at Fuse Box F2, F3 & F4)	
	70004316	1	Relay, Starter (at Fuse Box)	
	70004317	2	Relay, Shut-Off & Glow Plug Control 25Amp (at Fuse Box)	
704A	4460894	1	Plug, Male - 6 Position	
	4460465	5	Socket, Female	
	4460466	1	Seal, Plug	
704B	4460891	1	Plug, Male - 2 Position	
	4460465	2	Socket, Female	

SECTION 7 ELECTRICAL

FIGURE 7-3. HARNESS COMPONENTS INSTALLATION (WITH UGM) (CONTINUED)

ITEM #	PART NUMBER	QTY.	DESCRIPTION	REV.
704C	4460891	1	Plug, Male - 2 Position	
	4460465	2	Socket, Female	
704D	70020808	1	Plug, Male - 23 Position	
	70020809	16	Socket, Female	
704E	See Note	1	Connector - 8 Position (Note: Not Available for Purchase.)	
704F	See Note	1	Connector - 5 Position (Note: Not Available for Purchase.)	
705	See Note	AR	Deutz Engine Harness Components (Deutz Engine Machines Only) (Note: Not Available for Purchase. See 705A-705D for Available Components.)	
705A	7027796	1	Deutz Engine Harness	
705B	See Note	1	Receptacle, Female - 25 Position (Note: Not Available - Purchase Complete Harness)	
705C	7027793	1	Plug-In, Connector	
705D	70001872	1	Deutz Engine Harness (For other replacement parts refer to Deutz engine dealer)	
706 to 707	Not Used			
708	See Note	1	Fuel Pump Harness (Caterpillar Engines Only) (Note: Not Available for Purchase.)	
708A	4460897	1	Receptacle, Female -2 Position (Caterpillar Engines Only)	
	4460464	2	Pin, Male (Caterpillar Engines Only)	
709	Not Used			
710	See Note	1	Pump Harness (Note: Not Available for Purchase.)	
710A	7007497	1	Plug (Pump End)	
710B	7007498	1	Plug (Engine Harness End)	
711	See Note	1	Controller Harness Assembly (Lift and Swing) (Note: Not Available for Purchase.)	
711A	7022819	1	Plug, Male - 8 Position (Natural)	
	4460871	8	Socket, Female	
712	See Note	1	Controller Harness/Circuit Board Assembly (Drive and Steer) (Note: Not Available for Purchase.)	
712A	7022825	1	Plug, Male - 8 Position (Black)	
	4460871	7	Socket, Female	
713	See Note	1	Controller Harness (Speed Control) (Note: Not Available for Purchase.)	
713A	4460224	1	Receptacle, Female - 6 Position	
	4460226	6	Socket, Female	
714	See Note	AR	GM Engine Harness Components (GM Engine Machines Only) (Note: Not Available for Purchase.)	
715	4923379	1	Harness, Glow Plugs (Deutz Engine Machines Only)	B
716	4360517	1	Switch, Proximity	
716A	4460320	1	Connector - 2 Position	
	4460227	2	Pin, Male	
		Ref	OPTIONAL HARNESS COMPONENTS	
801	4921927	1	Jib Valve Harness (660SJ Only)	3
801A	4460326	1	Plug, Male - 3 Position	
801B	4460267	3	Pin, Male	
801C	4460499	2	Connector, DIN with Diode	
802	4921928	1	4WS Valve Harness	3
802A	4460268	3	Socket, Female	

SECTION 7 ELECTRICAL

FIGURE 7-3. HARNESS COMPONENTS INSTALLATION (WITH UGM) (CONTINUED)

ITEM #	PART NUMBER	QTY.	DESCRIPTION	REV.
802B	4460445	1	Connector, Female - 3 Position	
802C	4460499	2	Connector, DIN with Diode	
803	0257887	1	Alarm Harness (Includes Alarm)	
	0140032	1	Alarm	
	2820035	6in/15cm	Loom	
803A	4460424	1	Plug, Male - 2 Position	
803B	4460268	2	Socket, Female	
804		1	Strobe Light Harness Options (Includes Strobe Light):	B
	0272507		USA Built Machines SN 0300087000 to SN 0300169423	
	2920161		USA Built Machines SN 0300169423 to SN 0300171769	
	0272507		China Built Machines SN B300000100 to Present	
804A	4460320	1	Connector, Female - 2 Position (0272507 Strobe Light)	
	4460267	2	Pin, Male (0272507 Strobe Light)	
	4460891	1	Plug, Male - 2 Position (2920161 Strobe Light)	
	4460465	2	Socket, Female (2920161 Strobe Light)	
804B	1001149818	1	Strobe Light Extension Harness (USA Built Machines SN 0300169423 to SN 0300171769 Only)	
804C	4460897	1	Receptacle, Female -2 Position	
	4460464	2	Pin, Male	
804D	4460320	2	Plug, Male - 2 Position	
	4460267	4	Pin, Male	
805	See Note	1	Headlight & Taillight/Chassis Illumination Harness (Note: Not Available for Purchase.)	
	1060341	AR	Cable, Electrical 16/2 Options:	
		37ft/11.3m 40ft/12.2m	Headlights & Taillights Chassis Illumination Lights	
805A	3740049	1	Relay	
	4460259	3	Terminal	
	4460260	4	Housing, Terminal	
	4460297	1	Terminal	
	4922643	1	Lights Harness for Ground Control Box	1/A
806	4460226	2	Socket, Female	
		AR	2500W Generator Electrical Components	
	100112743		50Hz (Caterpillar & Deutz Engines)	B
	100112588		60Hz (Caterpillar & Deutz Engines)	A
	4933350		60Hz (GM Engine)	B
806A	4922641	1	Harness - On/Off Switch	A
806B	4460226	2	Socket, Female	
806C		1	Harness, Powermite Control Box to Relay Options:	
	100112589		Caterpillar & Deutz Engines	A
	4923445		GM Engine	A
806D	4460374	1	Connector, Seal Relay	
	4460705	4	Terminal	
806E	4460742	1	Connector, Male - 2 Position	
	4460743	2	Socket, Female	
	4460458	2	Seal	
806F	4460321	1	Connector, Male - 4 Position (60Hz Only)	
	4460906	4	Socket, Female (60Hz Only)	
806G	4460027	1	Receptacle, Twist Lock (110V Only)	
806H	7020193	1	Harness, Generator Power	

SECTION 7 ELECTRICAL

FIGURE 7-3. HARNESS COMPONENTS INSTALLATION (WITH UGM) (CONTINUED)

ITEM #	PART NUMBER	QTY.	DESCRIPTION	REV.
806J	4460961	1	Connector, Female - 4 Position	
	4460705	4	Pin, Male	
807		1	Generator to Rear of Boom Harness Options: Note: Harness used to connect AC at platform harness to generator receptacle to power platform receptacle.	
	4921827		110V (ANSI, ANSI Export, Latin America & Japanese Specs)	2
	1060494	20ft/6m	Cable, Electrical - 12/3	
807A	4460205	1	Plug, Male	
	4460027	1	Receptacle, Twist Lock (110V Only)	
807B	4460134	1	Receptacle, Female	
808			AC to Platform Receptacle Components Options:	
	0256113	Ref	110V/60Hz GFI Receptacle (ANSI, ANSI Export & Japanese Specs)	B
	0256201	Ref	110V/50Hz Receptacle (Plug & Receptacle Supplied Locally) (Australian, Brazilian, Latin America Specs)	B
	0257175	Ref	220V Receptacle (ANSI & ANSI Export Specs)	B
		Ref	CE Specs Options Only (CE Spec are USA Built Machines):	
			Without Generator:	
	0256201	Ref	110V/50Hz Receptacle (Plug & Receptacle Supplied Locally)	B
	0273076	Ref	110V/50Hz Receptacle (See Next Figure for Components)	A
	0273078	Ref	CE Germany Specs (See Next Figure for Components)	A
	0275455	Ref	220V with CEE 7 Post Ground Receptacle & Plug & Circuit Breaker (2x4 Box)	D
	0275456	Ref	220V with CEE 7 Side Ground Receptacle & Plug & Circuit Breaker (2x4 Box)	D
	0275659	Ref	220V with AFSINT 107 Keyed Ground Receptacle & Plug & Circuit Breaker (2x4 Box)	D
	0275235	Ref	110V with IEC Yellow Receptacle & Plug & Circuit Breaker	D
	0275254	Ref	220V with IEC Blue Receptacle & Plug & Circuit Breaker	D
	0275237	Ref	220V with CEE 7 Post Ground Receptacle & Plug & Circuit Breaker (70mm x 70mm Box)	D
	Use 1001153312	Ref	220V with CEE 7 Side Ground Receptacle & Plug & Circuit Breaker (70mm x 70mm Box) (was p/n 0275253)	A/D
			With Generator:	
	1001100390	Ref	220V with CEE 7 Post Ground Receptacle & Plug & Circuit Breaker (2x4 Box)	D
	1001100391	Ref	220V with CEE 7 Side Ground Receptacle & Plug & Circuit Breaker (2x4 Box)	D
	1001100392	Ref	220V with AFSINT 107 Keyed Ground Receptacle & Plug & Circuit Breaker (2x4 Box)	C
	1001100393	Ref	110V with IEC Yellow Receptacle & Plug & Circuit Breaker	C
	1001100394	Ref	220V with IEC Blue Receptacle & Plug & Circuit Breaker	C
	1001100395	Ref	220V with CEE 7 Post Ground Receptacle & Plug & Circuit Breaker (70mm x 70mm Box)	C
	1001100396	Ref	220V with CEE 7 Side Ground Receptacle & Plug & Circuit Breaker (70mm x 70mm Box)	C
808A		1	Box, Switch Options:	
	0860038		0256113 & 0257175 Installations	
	Not Required		0256201 Installation (Purchase Locally)	
	0861731		0275455, 0275456, 0275659, 1001100390, 1001100391 & 1001100392 Installations	

SECTION 7 ELECTRICAL

FIGURE 7-3. HARNESS COMPONENTS INSTALLATION (WITH UGM) (CONTINUED)

ITEM #	PART NUMBER	QTY.	DESCRIPTION	REV.
808A (cont'd)	0861781		0275235, 0275254, 1001100393 & 1001100394 Installations	
	See Note		0275237, 0275253, 1001100395, 1001100396 & 1001153312 Installations (Note: Was p/n 0861782 which is no longer available. Use p/n 1001100344 CEE 7 Side Ground Service Kit or p/n 1001100343 CEE 7 Post Ground Service Kit. Kit include Box p/n 1001141967 & items 808B, 808C, 808E & 808M)	
808B	1001141967	1	1001100343, 1001100344, 1001141970 & 1001141971 Kits	
	4460346		Receptacle Options:	
	4460125		0256113 Installation	
	Not Required		0257175 Installation	
	4461244		0256201 Installation (Purchase Locally)	
	4461245		0275455 & 1001100390 Installations	
	4461246		0275456 & 1001100391 Installations	
	4461198		0275659 & 1001100392 Installations	
	4461201		0275235 & 1001100393 Installations	
	Use 1001100343		0275254 & 1001100394 Installations	
808C	Use 1001100344	1	0275237 & 1001100395 Installations (was p/n 4461204)	
	1001141968		0275253, 1001100396 & 1001153312 Installations (was p/n 4461207)	
	1001141969		1001100343 & 1001141971 Kits	
	4060700		1001100344 & 1001141970 Kits	
	1001110873		Shield, Cover Options:	
	4060092		0256113 Installation (SN 0300087000 to SN 0300138241)	
	Not Required		0256113 Installation (SN 0300138241 to SN 0300171769)	
	4461244		0257175 Installation	
	4461245		0256201 Installation (Purchase Locally)	
	4461246		0275455 & 1001100390 Installations	
808D	4461198	1	0275456 & 1001100391 Installations	
	4461201		0275659 & 1001100392 Installations	
	Use 1001100343		0275235 & 1001100393 Installations	
	Use 1001100344		0275254 & 1001100394 Installations	
	1001141968		0275237 & 1001100395 Installations (was p/n 4461204)	
	1001141969		0275253, 1001100396 & 1001153312 Installations (was p/n 4461207)	
	4460071		1001100343 & 1001141971 Kits	
	Not Required		1001100344 & 1001141970 Kits	
	4460968		Connector, Strain Relief Options:	
			0256113 & 0257175 Installations	
	0256201 Installation (Purchase Locally)			
	0275455, 0275456, 0275659, 0275235, 0275254, 0275237, 0275253, 1001100390, 1001100391, 1001100392, 1001100393, 1001100394, 1001100395, 1001100396 & 1001153312 Installations			

SECTION 7 ELECTRICAL

FIGURE 7-3. HARNESS COMPONENTS INSTALLATION (WITH UGM) (CONTINUED)

ITEM #	PART NUMBER	QTY.	DESCRIPTION	REV.
808E	4460205	1	Plug, Male Options: 0256113 Installation 0257175 Installation 0256201 Installation (Note: Not Available - Purchase Locally.) 0275237, 0275455, 1001100390 & 1001100395 Installations & 1001100343 & 1001141971 Kits 0275453, 0275256, 1001100391 & 1001100396 Installations & 1001100344 & 1001141970 Kits 0275659 & 1001100392 Installations 0275235 & 1001100393 Installations 0275254 & 1001100394 Installations	
	4460233			
	See Note			
	4461202			
	4461205			
	4461249			
	4461196			
	4461199			
808F	0641405	AR	Hardware Options: Bolt 1/4in - 20NC x 5/8in Bolt 1/4in - 20NC x 7/8in Bolt 1/4in - 20NC x 1-1/4in Bolt 1/4in - 20NC x 2in Screw M4 x 16mm Locknut M4 Locknut 1/4in - 20NC Flatwasher 1/4in (Narrow) Flatwasher M4 Clamp, Stauff Compound, Locking	
	0641407			
	0641410			
	0641416			
	0700408			
	3290405			
	3311405			
	4711400			
	4811400			
	1320149			
0100011				
808G	Not Required	AR	Bracket, Receptacle Box Mounting Options: 0256113, 0257175 & 0256201 Installations 0275455, 0275456, 0275659, 0275235, 0275254, 0275237, 0275253, 1001100390, 1001100391, 1001100392, 1001100393, 1001100394, 1001100395, 1001100396 & 1001153312 Installations	
	0903484	0		
		1		
808H	Not Required	AR	Bracket, Circuit Breaker Mounting Options: 0256113, 0257175 & 0256201 Installations 0275455, 0275456, 0275659, 0275235, 0275254, 0275237, 0275253, 1001100390, 1001100391, 1001100392, 1001100393, 1001100394, 1001100395 & 1001100396 Installations	
	0903611	0		
		1		
808J	1001152486	1	1001153312 Installation	
		AR	Kit, Box and Breaker (Required Only on CE Spec Instal- lations Except 0256201 Installation): Without Generator	D
	2902549			With 110V Generator
	1001096070		With 220V Generator	B
	1001109554		Circuit Breaker Options: Without Generator (Note: For machines equipped with a single circuit breaker use both p/ns 1001109475 & 1001109482 as replacement.) Circuit Breaker, 16A Circuit Breaker, 30MA RCD With 110V Generator Circuit Breaker, 16A	
	See Note	1		
	1001109475	1		
1001109482	1			
1001109475	1			

SECTION 7 ELECTRICAL

FIGURE 7-3. HARNESS COMPONENTS INSTALLATION (WITH UGM) (CONTINUED)

ITEM #	PART NUMBER	QTY.	DESCRIPTION	REV.
808J (cont'd)	1001109482	1	Circuit Breaker, 30MA RCD	
			With 220V Generator	
	1001109477	1	Circuit Breaker, 10A	
	1001109482	1	Circuit Breaker, 30MA RCD	
	0861880	1	Breaker Box	
	4460956	1	Barrier, Terminal Block End	
	4460957	1	Block, Terminal	
808K		2	Connector, Strain Relief Options (Required Only on CE Spec Installations Except 0256201 Installation):	
	4460633		M20 Thread	
	1001097150		M25 Thread	
808L	1060908	AR	Cable, Extension (Required Only on CE Spec Installations Except 0256201 Installation)	
		6ft/1.8m	Without Generator	
		12ft/3.6m	With Generator	
808M		1	Receptacle, Female Options:	
	4461203		1001100390 & 1001100395 Installations & 1001100343 & 1001141971 Kits	
	4461206		1001100391 & 1001100396 Installations & 1001100344 & 1001141970 Kits	
	4461250		1001100392 Installation	
	4461197		1001100393 Installation	
	4461200		1001100394 Installation	
	0275452		Receptacle Box Kit (220V CEE 7 Post Ground) (Includes Items 808A, 808B, 808C & 808E) (0275455 Installation)	1
	1001100345		Receptacle Box Kit (220V CEE 7 Post Ground) (Includes Items 808A-808C, 808E & 808M) (1001100390 Installation)	2
	0275453		Receptacle Box Kit (220V CEE 7 Side Ground) (Includes Items 808A, 808B, 808C & 808E) (0275456 Installation)	1
	1001100347		Receptacle Box Kit (220V CEE 7 Side Ground) (Includes Items 808A-808C, 808E & 808M) (1001100391 Installation)	3
	0275454		Receptacle Box Kit (220V AFSINT 107 Keyed Ground) (Includes Items 808A, 808B, 808C & 808E) (0275659 Installation)	1
	1001100346		Receptacle Box Kit (220V AFSINT 107 Keyed Ground) (Includes Items 808A-808C, 808E & 808M) (1001100392 Installation)	2
	0275216		Receptacle Box Kit (110V IEC Yellow) (Includes Items 808A, 808B, 808C & 808E) (0275235 Installation)	1
	1001100341		Receptacle Box Kit (110V IEC Yellow) (Includes Items 808A-808C, 808E & 808M) (1001100393 Installation)	2
	0275217		Receptacle Box Kit (220V IEC Blue) (Includes Items 808A, 808B, 808C & 808E) (0275254 Installation)	1
	1001100342		Receptacle Box Kit (220V IEC Blue) (Includes Items 808A-808C, 808E & 808M) (1001100394 Installation)	2
	Use 1001100343		Receptacle Box Kit (220V CEE 7 Post Ground) (Includes Items 808A-808C, 808E & 808M) (0275237 Installation) (was p/n 0275218)	B/B
	1001100343		Receptacle Box Kit (220V CEE 7 Post Ground) (Includes Items 808A-808C, 808E & 808M) (1001100395 Installation) (was p/n 1001101971 Kit)	B

SECTION 7 ELECTRICAL

FIGURE 7-3. HARNESS COMPONENTS INSTALLATION (WITH UGM) (CONTINUED)

ITEM #	PART NUMBER	QTY.	DESCRIPTION	REV.
	Use 1001100344		Receptacle Box Kit (220V CEE 7 Side Ground) (Includes Items 808A-808C, 808E & 808M) (0275253 & 1001153312 Installations) (was p/n 0275219)	B/B
	1001100344		Receptacle Box Kit (220V CEE 7 Side Ground) (Includes Items 808A-808C, 808E & 808M) (1001100396 Installation) (was p/n 1001101970 Kit)	B
809		Ref	7500W SkyPower Generator Installation	
	1001115398	Ref	60Hz & Caterpillar Engine	A
	1001115400	Ref	50Hz Spec & Caterpillar Engine	A
	1001115387	Ref	60Hz & Deutz Engine	A
	1001115393	Ref	60Hz & Deutz Engine (Brazilian Spec Only)	A
	1001115389	Ref	50Hz & Deutz Engine	A
	0275257	Ref	60Hz & GM Engine	E
		Ref	Note: SkyPower generator is standard on ANSI & CSA Specs. Optional on All Other Specs.	
809A		1	Receptacle, Female Twist-Lock Options:	
	4460958		60Hz Spec	
	See Note		50Hz Spec (Note: Not Available - Purchase Locally.)	
809B		2	Gasket Options:	
	3960422		60Hz Spec	
	See Note		50Hz Spec (Note: Not Available - Purchase Locally.)	
809C		1	Cover, Receptacle Options:	
	1001110873		60Hz Spec	
	See Note		50Hz Spec (Note: Not Available - Purchase Locally.)	
809D		1	Cover, Receptacle Options:	
	1001110872		60Hz Spec	
	See Note		50Hz Spec (Note: Not Available - Purchase Locally.)	
809E		1	Receptacle Options:	
	4460346		60Hz Spec	
	See Note		50Hz Spec (Note: Not Available - Purchase Locally.)	
809F	4460051	1	Connector, Strain Relief	
809G	4460071	1	Connector, Strain Relief	
809H	4922925	1	Harness, Generator	
809I	See Note	1	Plug, Male - 6 Position (Note: Not Available for Purchase.)	
	See Note	6	Socket, Female (Note: Not Available for Purchase.)	
809J	4460225	1	Plug, Male - 6 Position	
	4460226	6	Socket, Female	
810		Ref	7500W SkyPower Generator Junction Box Components	
	0861542	Ref	60Hz Spec	C
	0861567	Ref	50Hz Specs	B
810A		2ft/.6m	Cable, Electrical 12/3	
	1060494		60Hz Spec	
	See Note		50Hz Spec (Note: Not Available - Purchase Locally.)	
810B		2.5ft/.76m	Cable, Electrical 10/3	
	1060708		60Hz Spec	
	See Note		50Hz Spec (Note: Not Available - Purchase Locally.)	
810C	1060343	1.5ft/.46m	Cable, Electrical 10/4 (60Hz Spec Only)	
810D	4460425	2	Connector, Strain Relief	

SECTION 7 ELECTRICAL

FIGURE 7-3. HARNESS COMPONENTS INSTALLATION (WITH UGM) (CONTINUED)

ITEM #	PART NUMBER	QTY.	DESCRIPTION	REV.
810E		AR	Component Options:	
	4460426	2	Connector, Strain Relief (60Hz Spec Only)	
	4460426	1	Connector, Strain Relief (50Hz Spec Only)	
	3520189	1	Plug (50Hz Spec Only)	
810F	1671092	1	Cover (60Hz Spec Only)	
	4460963	1	Connector (60Hz Spec Only)	
811		Ref	7500W Generator Electrical Diagram Components	
	1001112586	Ref	Caterpillar & Deutz Engine Machines	A
	4933349		GM Engine Machines	1/A
811A		1	Generator Harness Options:	
	1001112587		Caterpillar & Deutz Engine Machines	A
	4923420		GM Engine Machines	A
811B	4460374	2	Plug, Sealed Relay	
	4460375	7	Terminal	
811C	4460967	1	Plug, Male - 3 Position	
	4460465	3	Socket, Female	
811D	2400060	1	Fuseholder	
	2400064	1	Fuse - 5 Amp	
811E	4922641	1	Switch Harness	
811F	4460226	2	Socket, Female	
811G	4460742	1	Plug, Male - 2 Position	
	4460743	2	Socket, Female	
812	4933313	1	Floodlights Harness Components	1/A
812A	4460320	2	Plug, Male - 2 Position	
	4460227	4	Pin, Male	
812B	4922764	1	Floodlight Harness (Lights to Switch)	1/A
812C	4460424	2	Connector, Female - 2 Position	
	4460226	4	Socket, Female	
812D	4360232	1	Circuit Breaker - 15 Amp	
812E	1060977	1	Cord, 2 Wire Coiled (Console Box Circuit Breaker to Switch)	
812F	4460425	1	Connector, Strain Relief	
812G		1	Harness, Console Box to Aux Relay Options:	
	4922888		600S Harness (77ft/23.5m of 12/3 Cable P/N 1060494)	
	4922964		660SJ Harness (83ft/25.4m of 12/3 Cable P/N 1060494)	
813		AR	Platform Worklights Components	
813A	2920140	2	Platform Worklights External Harness (Includes Light & Wire Only)	
813B	4460426	1	Connector, Strain Relief	
813C	2400070	1	Fuse	
	2400066	1	Holder, Fuse	
813D		1	Harness, Console Box to Aux Relay Options:	
	4922888		600S Harness (77ft/23.5m of 12/3 Cable P/N 1060494)	
	4922964		660SJ Harness (83ft/25.4m of 12/3 Cable P/N 1060494)	

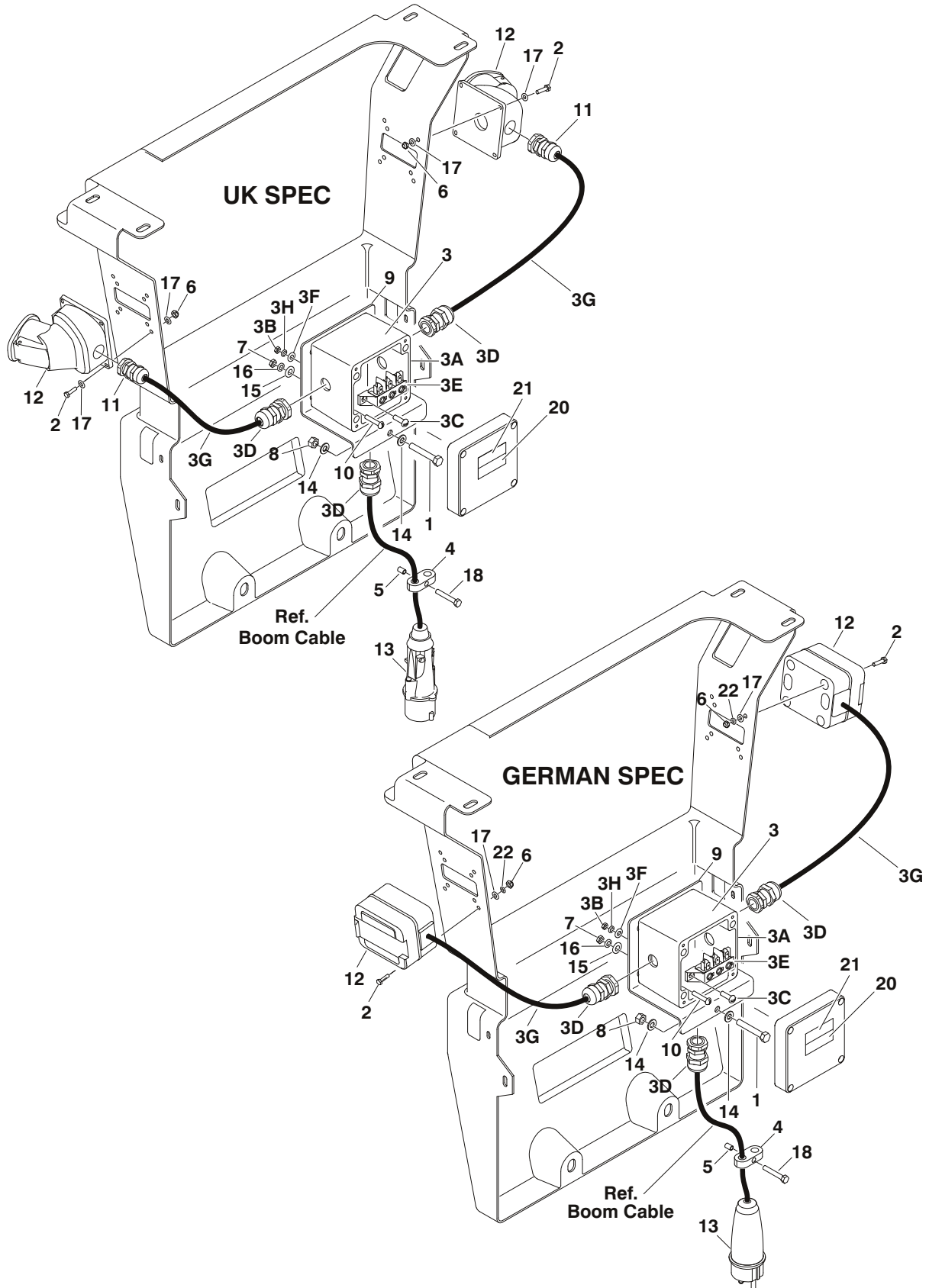
SECTION 7 ELECTRICAL

FIGURE 7-3. HARNESS COMPONENTS INSTALLATION (WITH UGM) (CONTINUED)

ITEM #	PART NUMBER	QTY.	DESCRIPTION	REV.
		Ref	TOOLS	
901	7002821	1	Crimper (For Wire to Pin/Socket Connections) (Not Shown)	
902	7002823	1	Extractor (For Removal of Pin/Socket from Connectors) (Not Shown)	
903	4460467	1	Extractor, Pin (Blue 16-18 Gauge) (For Removal of Pin/Socket from Connectors) (Not Shown)	
904	4460510	1	Extractor, Pin (Yellow 12-14 Gauge) (For Removal of Pin/Socket from Connectors) (Not Shown)	
905	7002828	1	Stripper, Wire (Not Shown)	
906	2901443	1	Analyzer Kit (Not Shown)	
906A	1600244	1	Analyzer	
906B	1060633	1	Cable, Analyzer	1/A
906C	4460321	2	Plug, Male	
	4460226	8	Socket, Female	

SECTION 7 ELECTRICAL

FIGURE 7-4. AC CABLES INSTALLATION (CE GERMAN & CE UK SPECS)



SECTION 7 ELECTRICAL

FIGURE 7-4. AC CABLES INSTALLATION (CE GERMAN & CE UK SPECS)

ITEM #	PART NUMBER	QTY.	DESCRIPTION	REV.
		Ref	Note: Available Only on USA Built Machines	
		Ref	AC CABLES INSTALLATIONS	
	0273076	Ref	UK Spec	B
	0273078	Ref	German Spec	B
1	0641516	1	Bolt 5/16in-18NC x 2in	
2		8	Bolt Options:	
	0700408		Bolt (Metric) 4mm x 16mm (UK Spec)	
	3910808		Bolt #8-32NC x 1/2in (German Spec)	
3	0861606	1	Junction Box Assembly	
3A	0861604	1	Box, Junction	
3B	3311001	2	Nut #10-24NC	
3C	3911010	2	Screw #10-24NC x 5/8in	
3D	4460968	3	Connector, Strain Relief	
3E	4460987	1	Terminal	
3F	4751000	2	Flatwasher #10 (Wide)	
3G	4922909	2	Harness	
3H	4761000	2	Lockwasher #10	
4	1320149	1	Clamp	
5		AR	Hardware Options:	
	2080046	1	Rivnut (SN 0300087000 to SN 0300117084)	
	0100011	AR	Compound, Locking (SN 0300117084 to SN 0300171769)	
6		8	Nut Options:	
	3290405		Locknut (Metric) 4mm x.7 (UK Spec)	
	3310801		Nut #8-32NC (German Spec)	
7	3311001	4	Nut #10-24NC	
8	3311505	1	Locknut 5/16in-18NC	
9	3574443	1	Plate, Box Bracket	
10	3911016	4	Screw #10-24NC x 1in	
11	4460968	2	Connector, Strain Relief (UK Spec Only)	
12		2	Terminal Options:	
	4460988		Plug, Female - UK Spec	
	4460997		Receptacle - German Spec	
13		1	Plug Options:	
	4460990		UK Spec	
	4460998		German Spec	
14	4711500	2	Flatwasher 5/16in (Narrow)	
15	4751000	4	Flatwasher #10	
16	4761000	4	Lockwasher #10	
17		AR	Flatwasher (Metric) 4mm	
	4811400	16	Flatwasher (Metric) 4mm (UK Spec)	
	4750800	8	Flatwasher #8 (Wide) (German Spec)	
18	0641410	1	Bolt 1/4in-20NC x 1-1/4in	
19	Not Used			
20	1705714	1	Decal - Danger	
21	1705715	1	Decal - 115V AC	
22	4760800	8	Lockwasher #8 (German Spec Only)	

SECTION 7 ELECTRICAL

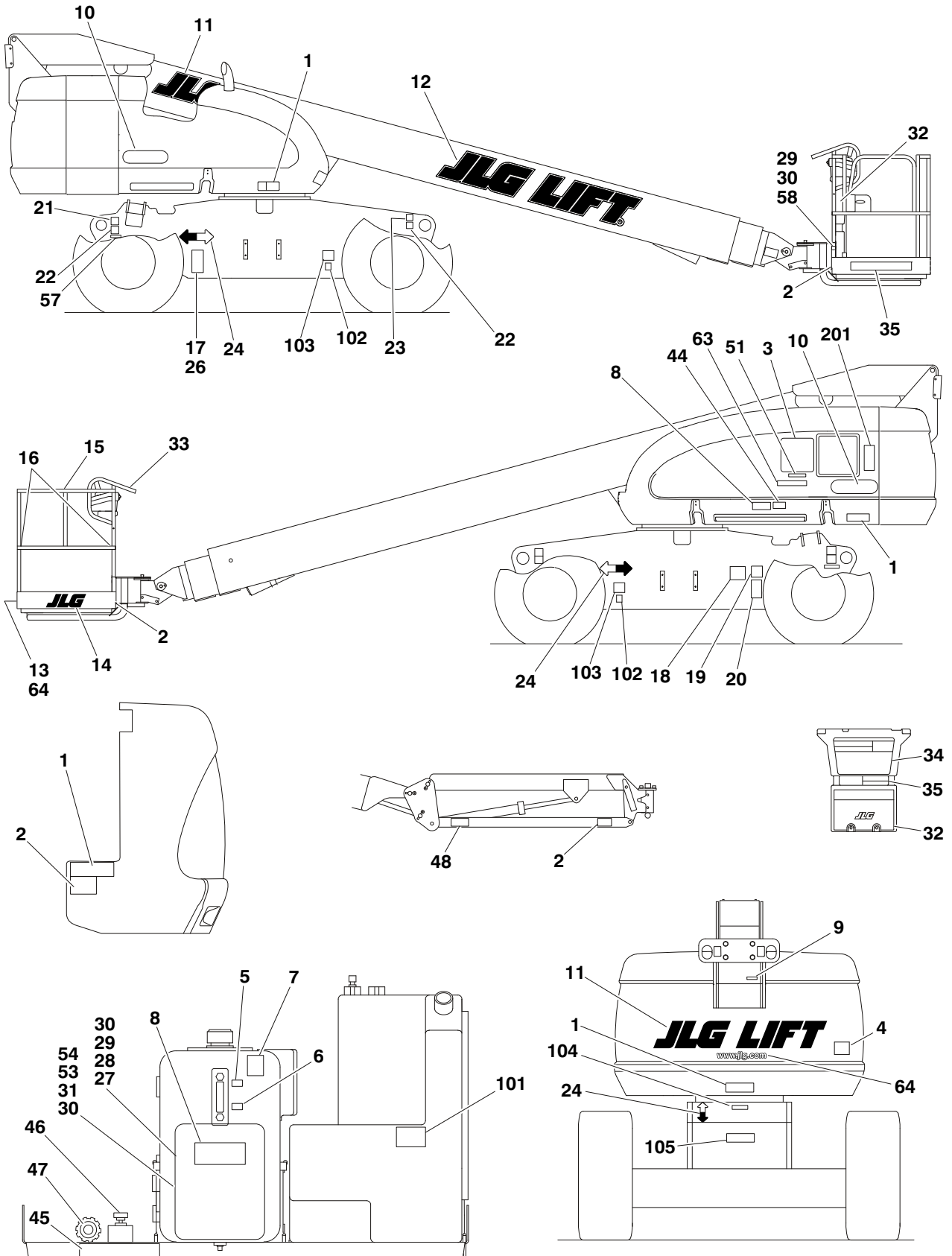
FIGURE 7-4. AC CABLES INSTALLATION (CE GERMAN & CE UK SPECS) (CONTINUED)

ITEM #	PART NUMBER	QTY.	DESCRIPTION	REV.

SECTION 8 DECALS

SECTION 8 DECALS

FIGURE 8-1. DECAL INSTALLATION (ANSI SPEC) (USA BUILT MACHINES SN 0300087000 TO SN 0300087912)



SECTION 8 DECALS

FIGURE 8-1. DECAL INSTALLATION (ANSI SPEC) (USA BUILT MACHINES SN 0300087000 TO SN 0300087912)

ITEM #	PART NUMBER	QTY.	DESCRIPTION	REV.
		Ref	STANDARD DECAL INSTALLATIONS	
	0271014	Ref	Decal - JLG	3
	0255329	Ref	600S ANSI Spec	17
	0255333	Ref	600SJ ANSI Spec	17
	0255331	Ref	660SJ ANSI Spec	18
1	1703805*+	4	Decal - Danger/Electrocution	
2	1703804*+	AR	Decal - Warning/Crushing	
3	1703798*+	1	Decal - Danger/Warning	
4	3251813*+	1	Decal - USA	
5	1701502*+	1	Decal - High Oil Level	
6	1701503*+	1	Decal - Low Oil Level	
7	1701504*+	1	Decal - Hydraulic Oil	
8	1701509*+	1	Decal - Manual	
9		1	Nameplate Options:	
	3251243*+		120V-60Hz	
	3252507		220V-50/60Hz	
10		2	Decal - Model Options:	
	1702815*		600S	
	1702816		600SJ	
	1702817+		660SJ	
11	1702861*+	3	Decal - JLG Lift (8in)	
12	1702862*+	1	Decal - JLG Lift (12in)	
13	1702774*+	1	Decal - JLG Lift (3-1/2in)	
14	1702773*+	2	Decal - JLG (5in)	
15	1702868*+	2	Decal - No Hands	
16	1704277*+	AR	Decal - Attach Lanyard Here	
17	See Note	1	Nameplate - Serial Number (Note: Not Available for Purchase.)	
18	1702153*+	1	Decal - Inspection	
19	See Note	1	Decal - Bar Code (Note: Not Available for Purchase.)	
20	1700584*+	1	Decal - Patent	
21	1701499*+	2	Decal - No Tie Down /Lift	
22	1702300*+	4	Decal - Tie Down /Lift	
23	1701500*+	2	Decal - Tie Down /Lift	
24	1701529*+	4	Decal- Arrow	
25	Not Used			
26	3820001	4	Rivet	
27	0641408	4	Bolt 1/4in-20NC x 1in	
28	1060279	1	Cable, Lanyard	
29	3311405	AR	Locknut 1/4in-20NC	
30	4751400	AR	Flatwasher 1/4in	
31	0860520	1	Box, Manual Storage	
32	3380434	1	Panel, Pedestal	
33	1702784*+	1	Decal - Legend	
34	1703797*+	1	Decal - Danger/Warning	

SECTION 8 DECALS

FIGURE 8-1. DECAL INSTALLATION (ANSI SPEC) (USA BUILT MACHINES SN 0300087000 TO SN 0300087912) (CONTINUED)

ITEM #	PART NUMBER	QTY.	DESCRIPTION	REV.
35	1704096*	2	Decal - 500LBS Max Capacity Options: Standard - 600S	
	1701645+		Standard - 600SJ & 660SJ	
36 to 43	Not Used			
44 to 48	Not Required			
49 to 50	Not Used			
51	1702966*	1	Decal - 500LBS Max Capacity Options: Standard (600S)	
	1702688+		Standard (600SJ & 660SJ)	
52	Not Used			
53	0641406	4	Bolt 1/4in-20NC x 3/4in	
54	0100011	AR	Compound, Locking	
55 to 56	Not Used			
57	1703470	4	Decal - Tire Load	
58	0641414	2	Bolt 1/4in-20NC x 1-3/4in	
59 to 62	Not Used			
63	1703808	1	Decal - Legend	
64	1704885	2	Decal - Website	
	2900967*	1	Decal Kit - 600S (Includes Items with *asterisk)	
	2900970+	1	Decal Kit - 660SJ (Includes Items with +plus)	
	Ref		DECAL INSTALLATION (OPTIONAL PARTS)	
101	1701542	1	Decal - Fuel Ford Engine Machines	
	1701505		Deutz Engine Machines	
102	1701543	1	Decal - LP Gas (Dual Fuel & LP Only Machines)	
103	1700818	1	Decal - LP Gas Liquid Withdrawal System (Dual Fuel & LP Only Machines)	
104	3250872	1	Nameplate - Steer/Tow Selection (Machines with Tow Package Only)	
105	1702305	1	Decal - Tow Instructions Options: (Machines with Tow Package Only) 2WD	
	1703403		4WD	
	0272341	Ref	DECAL INSTALLATION TIRE SEALANT	1
201	1705363	1	Decal - Tire Sealant Large	

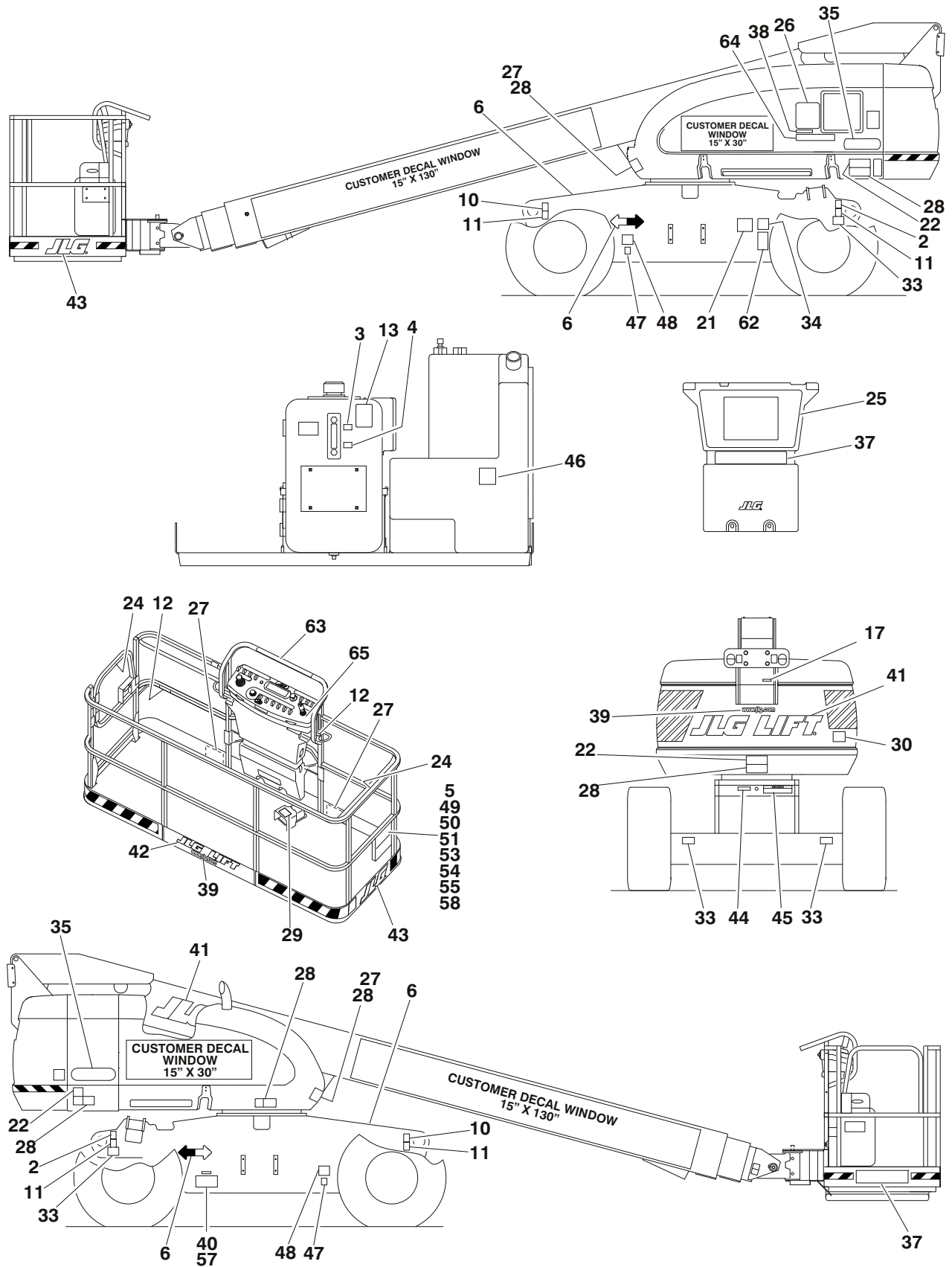
SECTION 8 DECALS

FIGURE 8-1. DECAL INSTALLATION (ANSI SPEC) (USA BUILT MACHINES SN 0300087000 TO SN 0300087912) (CONTINUED)

ITEM #	PART NUMBER	QTY.	DESCRIPTION	REV.

SECTION 8 DECALS

FIGURE 8-2. DECAL INSTALLATION (ANSI SPEC) (USA BUILT MACHINES SN 0300087912 TO SN 0300171769 & CHINA BUILT MACHINES SN B300000100 TO PRESENT)



SECTION 8 DECALS

FIGURE 8-2. DECAL INSTALLATION (ANSI SPEC) (USA BUILT MACHINES SN 0300087912 TO SN 0300171769 & CHINA BUILT MACHINES SN B300000100 TO PRESENT)

ITEM #	PART NUMBER	QTY.	DESCRIPTION	REV.
		Ref	STANDARD DECAL INSTALLATIONS	
	0274093	Ref	Decal - JLG	2
	0273867	Ref	600S ANSI Spec	10
	0273868	Ref	600SJ ANSI Spec	7
	0273869	Ref	660SJ ANSI Spec	9
1	1001108923	1	Decal - EPA/Carb Fuel Spec (Diesel Machines USA Built Machines SN 0300134794 to SN 0300171769 & China Built Machines SN B300000100 to Present)	
2	1701499	2	Decal - No Tie Down /Lift	
3	1701502	1	Decal - High Oil Level (USA Built Machines SN 0300087912 to SN 0300133154)	
4	1701503	1	Decal - Low Oil Level (USA Built Machines SN 0300087912 to SN 0300133154)	
5	1701509	1	Decal - Manual	
6	1701529	4	Decal- Arrow	
7 to 9	Not Used			
10	1703811	2	Decal - Tie Down /Lift	
11	1703814	4	Decal - Tie Down	
12	1704277	3	Decal - Attach Lanyard Here	
13	1704412	1	Decal - Hydraulic Oil	
14 to 16	Not Used			
17		1	Nameplate Options: 120V-60Hz 220V-50/60Hz	
	3251243			
	3252507			
18 to 20	Not Used			
21	1702153	1	Decal - Inspection (USA Built Machines SN 0300087912 to SN 0300133154)	
22	1703953	4	Decal - Warning/Crushing	
23	Not Used			
24	1702868	2	Decal - No Hands	
25	1703797	1	Decal - Danger/Warning	
26	1705336	1	Decal - Warning Inspection	
27	1703804	4	Decal - Warning Crushing	
28	1703805	4	Decal - Danger Electrocution	
29	3252347	1	Nameplate - Footswitch	
30	3251813	1	Decal - USA	
31 to 32	Not Used			
33		1	Decal Kit - Tire Load Options: 600S Tire Load Decal Kit (Includes Qty 4 of p/n 1703470) Decal - Tire Load (600S) 600SJ Tire Load Decal Kit (Includes Qty 4 of p/n 1703471) Decal - Tire Load (660S) 660SJ Tire Load Decal Kit (Includes Qty 4 of p/n 1703472) Decal - Tire Load (660SJ)	
	2902304			
	1703470	4		
	2902305			
	1703471	4		
	2902306			
	1703472	4		
34	See Note	1	Decal - Bar Code (Note: Not Available for Purchase.)	

SECTION 8 DECALS

FIGURE 8-2. DECAL INSTALLATION (ANSI SPEC) (USA BUILT MACHINES SN 0300087912 TO SN 0300171769 & CHINA BUILT MACHINES SN B300000100 TO PRESENT) (CONTINUED)

ITEM #	PART NUMBER	QTY.	DESCRIPTION	REV.
35	1702815 1702816 1702817	2	Decal - Model Options: 600S 600SJ 660SJ	
36	Not Used			
37	1704096 1001121800 1701645 1001121801 1704096 1001121800 1701645 1001121801	2	Decal - Capacity Options: USA Built Machines: 600S SN 0300087912 to SN 0300143326 SN 0300143326 to SN 0300171769 600SJ & 660SJ SN 0300087912 to SN 0300143326 SN 0300143326 to SN 0300171769 China Built Machines: 600S SN B300000100 to SN B300000189 SN B300000189 to Present 600SJ & 660SJ SN B300000100 to SN B300000189 SN B300000189 to Present	
38	1704104 1707014 1001121813 1702688 1707013 1001121814 1707014 1001121813 1707013 1001121814	1	Decal - Capacity Options: USA Built Machines: 600S SN 0300087912 to SN 0300099060 SN 0300099060 to SN 0300143326 SN 0300143326 to SN 0300171769 600SJ & 660SJ SN 0300087912 to SN 0300099060 SN 0300099060 to SN 0300143326 SN 0300143326 to SN 0300171769 China Built Machines: 600S SN B300000100 to SN B300000189 SN B300000189 to Present 660SJ SN B300000100 to SN B300000189 SN B300000189 to Present	
39	1704885	2	Decal - Website	
40	See Note	1	Nameplate - Serial Number (Note: Not Available for Purchase.)	
41	1702861	3	Decal - JLG Lift (8in)	
42	1702774	1	Decal - JLG Lift (3-1/2in)	
43	1702773	2	Decal - JLG Lift (5in)	
44	3250872	1	Nameplate - Steer/Tow Selection (Machines with Tow Package Only)	
45	1702305 1703403	1	Decal - Tow Instructions Options: (Machines with Tow Package Only) 2WD 4WD	

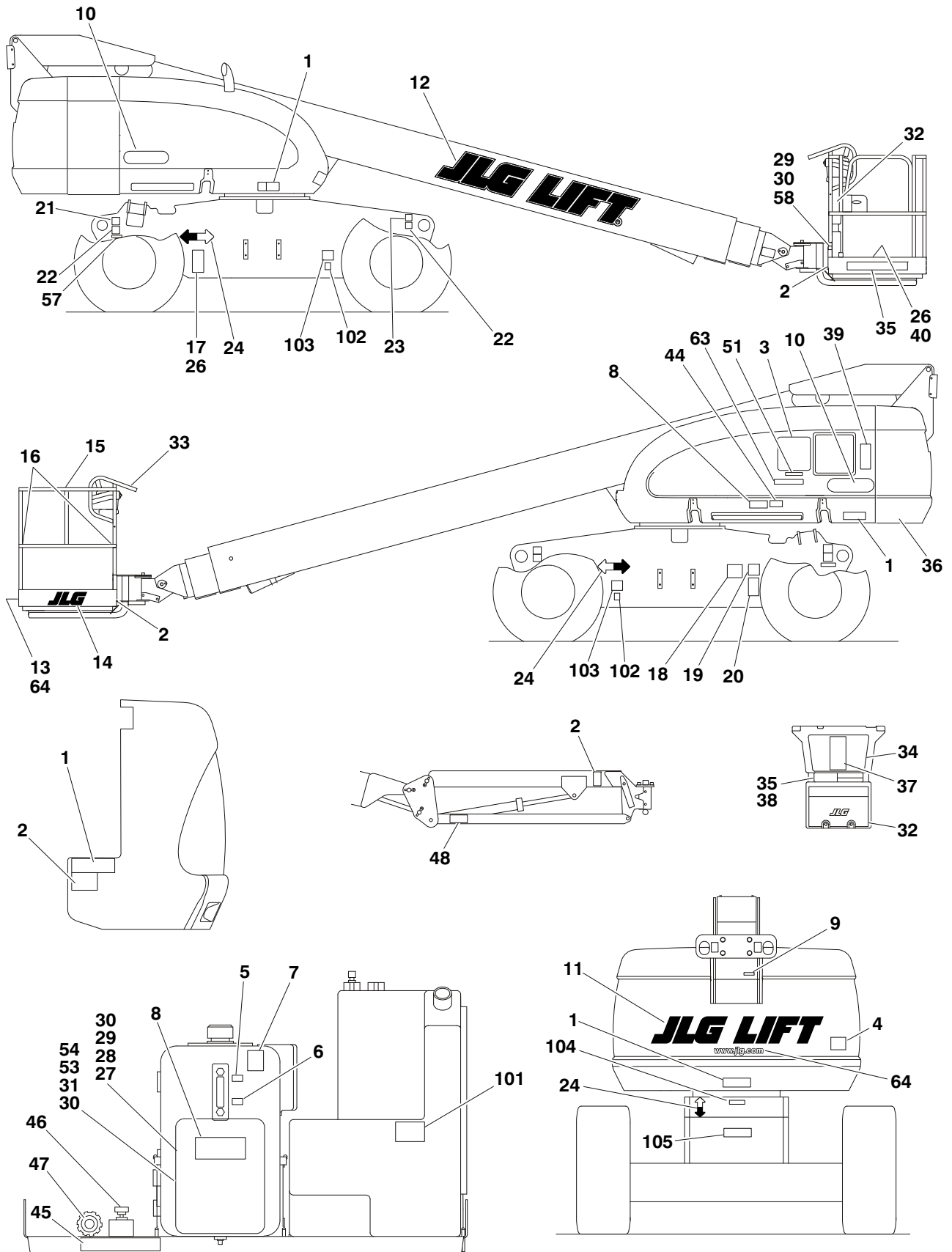
SECTION 8 DECALS

FIGURE 8-2. DECAL INSTALLATION (ANSI SPEC) (USA BUILT MACHINES SN 0300087912 TO SN 0300171769 & CHINA BUILT MACHINES SN B300000100 TO PRESENT) (CONTINUED)

ITEM #	PART NUMBER	QTY.	DESCRIPTION	REV.
46	1701542	1	Decal - Fuel Ford & GM Engine Machines	
	1701505		Caterpillar & Deutz Engine Machines	
47	1701543	2	Decal - LP Gas (Ford Engine Only)	
48		2	Decal - LP Gas Liquid Options (Gas Engine Only):	
	1700818		English Language	
	1704271		English & French Languages	
	1702720		Spanish Language	
49	0100011	AR	Compound, Locking	
50	0641406	4	Bolt 1/4in-20NC x 3/4in	
51	0641408	1	Bolt 1/4in-20NC x 1in	
52	Not Used			
53	0860520	1	Box, Manual Storage	
54	1060279	1	Cable, Lanyard	
55	3311405	AR	Locknut 1/4in-20NC	
56	Not Used			
57	3820001	4	Rivet	
58	4751400	AR	Flatwasher 1/4in	
59 to 61	Not Used			
62		1	Decal - Patent Options:	
	1700584		USA Built Machines SN 0300087912 to SN 0300151358 & China Built Machines SN B300000100 to SN B300000358	
	1001131269		USA Built Machines SN 0300151358 to SN 0300171769 & China Built Machines SN B300000358 to Present	
63		1	Decal - Legend Options:	
	1702784	1	USA Built Machines SN 0300087912 to SN 0300099060	
	1706931	1	USA Built Machines SN 0300099060 to SN 0300138729	
	1001108493	1	USA Built Machines SN 0300138729 to SN 0300171769	
	1001108493	1	China Built Machines SN B300000100 to Present	
64		1	Decal - Legend	
	1703808	1	USA Built Machines SN 0300087912 to SN 0300099060	
	1706941	1	USA Built Machines SN 0300099060 to SN 0300171769	
	1706941	1	China Built Machines SN B300000100 to Present	
65	1705351	1	Decal - Drive/Steer Instructions (USA Built Machines SN 03000138729 to SN 0300171769 & China Built Machines SN B300000100 to Present)	
	2902303	1	Master Decal Kit (Includes Items 2 & 5-17)	6
	2902307	1	ANSI Spec Decal Kit (Includes Items 24-30)	6

SECTION 8 DECALS

FIGURE 8-3. DECAL INSTALLATION (COUNTRY SPEC) (USA BUILT MACHINES SN 0300087000 TO SN 0300087912)



SECTION 8 DECALS

FIGURE 8-3. DECAL INSTALLATION (COUNTRY SPEC) (USA BUILT MACHINES SN 0300087000 TO SN 0300087912)

ITEM #	PART NUMBER	QTY.	DESCRIPTION	REV.
		Ref	DECAL INSTALLATIONS	
	0255330	Ref	600S Common Decals	12
	0255334	Ref	600SJ Common Decals	12
	0255332	Ref	660SJ Common Decals	13
	0257493	Ref	600S Brazilian Spec	5
	0257494	Ref	600SJ & 660SJ Brazilian Spec	5
	0259328	Ref	600S CSA Spec	11
	0259329	Ref	600SJ CSA Spec	13
	0259330	Ref	660SJ CSA Spec	13
	0273537	Ref	660SJ English, Chinese Spec	3
	0273536	Ref	600S English, Korean Spec	3
	0256258	Ref	600S Japanese Spec	3
	0256575	Ref	600SJ & 660SJ Japanese Spec	4
	0256673	Ref	600S Latin American Spanish Spec	15
	0256663	Ref	600SJ Latin American Spanish Spec	9
	0256672	Ref	660SJ Latin American Spanish Spec	11
1		AR	Decal - Electrocutation Options:	
	Not Required	0	Brazilian Spec & Japanese Spec	
	1703937	4	Chinese Spec	
	1703936	4	CSA Spec	
	1703939	4	Korean Spec	
	1702585	4	Latin American Spec	
2		AR	Decal - Crushing Options:	
	1701518	5	Brazilian Spec & Japanese Spec	
	1703949	3	Chinese Spec	
	1703948	3	CSA Spec	
	1703951	3	Korean Spec	
	1702583	3	Latin American Spec	
3		AR	Decal - Danger/Warning Options:	
	Not Required	0	Brazilian Spec & Japanese Spec	
	1703931	1	Chinese Spec	
	1703930	1	CSA Spec	
	1703933	1	Korean Spec	
	1702971	1	Latin American Spec	
4		AR	Decal - USA Options:	
	Not Required	0	Brazilian, Chinese, Japanese Spec & Korean Spec	
	3251813	1	CSA & Latin American Spec	
5	1701502	1	Decal - High Oil Level	
6	1701503	1	Decal - Low Oil Level	
7	1701504	1	Decal - Hydraulic Oil	
8	1701509	1	Decal - Manual	
9		AR	Decal - AC to Platform Options:	
	Not Required	0	Brazilian, Chinese, Japanese Spec & Korean Spec	
	1703453	1	AC (Latin American Spec)	
	3251243	1	120V-60Hz	
	3252507	1	220V-50/60Hz	

SECTION 8 DECALS

FIGURE 8-3. DECAL INSTALLATION (COUNTRY SPEC) (USA BUILT MACHINES SN 0300087000 TO SN 0300087912) (CONTINUED)

ITEM #	PART NUMBER	QTY.	DESCRIPTION	REV.
10		2	Decal - Model Designation Options:	
	1702815		600S	
	1702816		600SJ	
	1702817		660SJ	
11	1702861	1	Decal - JLG Lift (8in)	
12	1702862	1	Decal - JLG Lift (12in)	
13	1702774	1	Decal - JLG Lift (3-1/2in)	
14	1702773	2	Decal - JLG (5in)	
15		AR	Decal - No Hands Options:	
	1703899	2	Brazilian Spec	
	1704000	2	CSA Spec	
	Not Required	0	Chinese, Japanese Spec & Korean Spec	
	1702975	1	Latin American Spec	
16		AR	Decal - Attach Lanyard Here Options:	
	1704277	AR	Brazilian, Chinese, CSA, Korean & Latin American Spec	
	Not Required	0	Japanese Specs	
17	See Note	1	Nameplate - Serial Number (Note: Not Available for Purchase.)	
18		AR	Decal - Inspection Options:	
	Not Required	0	Brazilian, Chinese, Japanese Spec & Korean Spec	
	1704006	2	CSA Spec	
	1702552	1	Latin American Spec	
19	See Note	1	Decal - Bar Code (Note: Not Available for Purchase.)	
20		1	Decal - Patent Options:	
	1700584		Brazilian, Chinese, Japanese Spec & Korean Spec	
	1702573		Latin American Spec	
21	1701499	2	Decal - No Tie Down /Lift	
22	1702300	4	Decal - Tie Down /Lift	
23	1701500	2	Decal - Tie Down /Lift	
24	1701529	4	Decal- Arrow	
25		AR	Decal - Warning Options:	
	Not Required	0	Brazilian, Chinese, Japanese Spec & Korean Spec	
	1702581	1	Latin American Spec	
26	3820001	AR	Rivet	
27	0641408	1	Bolt 1/4in-20NC x 1in	
28	1060279	1	Cable, Lanyard	
29	3311405	AR	Locknut 1/4in-20NC	
30	4751400	AR	Flatwasher 1/4in	
31	0860520	1	Box, Manual Storage	
32	3380434	1	Panel, Pedestal (SN 0300068000 to SN 0300076512)	
33		AR	Decal - Legend Options:	
	Not Required	0	Brazilian, Chinese, Japanese Spec & Korean Spec	
	1702784	2	CSA Spec	
	1702972	1	Latin American Spec	
34		AR	Decal - Danger/Warning Options:	
	Not Required	0	Brazilian Spec & Japanese Spec	
	1703925	1	Chinese Spec	
	1703924	2	CSA Spec	
	1703927	1	Korean Spec	

SECTION 8 DECALS

FIGURE 8-3. DECAL INSTALLATION (COUNTRY SPEC) (USA BUILT MACHINES SN 0300087000 TO SN 0300087912) (CONTINUED)

ITEM #	PART NUMBER	QTY.	DESCRIPTION	REV.
34 cont'd	1702973	1	Latin American Spec	
35	Not Required	AR	Decal - Maximum Capacity Options:	
	1703996	0	Brazilian Spec & Japanese Spec	
	1703996	1	Chinese Spec - 660SJ	
	1704099	2	CSA Spec - 600S	
	1703996	2	CSA Spec - 600SJ/660SJ	
	1704103	1	Korean Spec - 600S	
	1704100	2	Latin American Spec - 600S	
	1702974	2	Latin American Spec - 600SJ/660SJ	
36	Not Used			
37	Not Required	AR	Nameplate - Capacity Options:	
	1703536	1	Brazilian Spec	
	1701924	1	Japanese Spec	
	Not Required	0	Chinese, CSA, Korean & Latin American Spec	
38	Not Required	AR	Nameplate - Caution Options:	
	1703538	1	Brazilian Spec	
	1703188	1	Japanese Spec	
	Not Required	0	Chinese, CSA, Korean & Latin American Spec	
39	Not Required	AR	Nameplate - Caution Options:	
	1703548	1	Brazilian Spec	
	1701923	1	Japanese Spec	
	Not Required	0	Chinese, CSA, Korean & Latin American Spec	
40	Not Required	AR	Nameplate - Caution Options:	
	1703548	1	Brazilian Spec	
	1701923	1	Japanese Spec	
	Not Required	0	Chinese, CSA, Korean & Latin American Spec	
41 to 43	Not Used			
44 to 48	Not Required			
49 to 50	Not Used			
51	Not Required	AR	Decal - Capacity Options:	
	Not Required	0	Brazilian Spec & Japanese Spec	
	1704112	1	Chinese Spec - 660SJ	
	1704107	1	CSA Spec (600S)	
	1704112	1	CSA Spec (600SJ & 660SJ)	
	1704111	1	Korean Spec - 600S	
	1704108	1	Latin American Spec	
52	Not Used			
53	0641406	4	Bolt 1/4in-20NC x 3/4in	
54	0100011	AR	Compound, Locking	
55 to 56	Not Used			
57	Not Required	4	Decal - Tire Load Options:	
	1703470		Brazilian, CSA, Spec & Latin American Spec	
	1703472		Chinese Spec	
	1703470		Korean Spec - 600S	
58	0641414	2	Bolt 1/4in-20NC x 1-3/4in	

SECTION 8 DECALS

FIGURE 8-3. DECAL INSTALLATION (COUNTRY SPEC) (USA BUILT MACHINES SN 0300087000 TO SN 0300087912) (CONTINUED)

ITEM #	PART NUMBER	QTY.	DESCRIPTION	REV.
59 to 62	Not Used			
63	Not Required	AR	Decal - Legend Options:	
		0	Brazilian, Chinese, Japanese, Korean & Latin American Specs	
	1703808	1	CSA Spec	
64	1704885	2	Decal - Website	

	2900937	1	Decal Kit - Brazilian Spec & Japanese Spec (Includes Items 1-16, 20-24, 46,47 & 57)	
	2910045	1	Decal Kit - Brazilian Spec with Ear (Includes Items 15,16, 37-40, 44,45 & 48)	
		Ref	DECAL INSTALLATION (OPTIONAL PARTS)	
101		1	Decal - Fuel Options:	
	1701505		Diesel	
	1701542		Gas	
102	1701543	1	Decal - LP Gas (Dual Fuel Machines Only)	
103		AR	Decal - Liquid Withdrawal System Options: (Dual Fuel Machines Only)	
	Not Required	0	Brazilian Spec & Japanese Spec	
	1700818	2	Chinese & Korean Spec	
	1704271	2	CSA Spec	
	1702720	2	Latin American Spec	
104		1	Nameplate - Steer/Tow Selection (Machines with Tow Package Only)	
	Not Required	0	Brazilian, Chinese, Japanese, Korean & Latin American Spec	
	1704272	1	CSA Spec	
105		1	Decal - Tow Instructions Options (Machines with Tow Package Only):	
	Not Required	0	Brazilian, Chinese, Japanese, Korean & Latin American Spec	
	1704273	1	CSA Spec 2WD	
	1704276	1	CSA Spec 4WD	

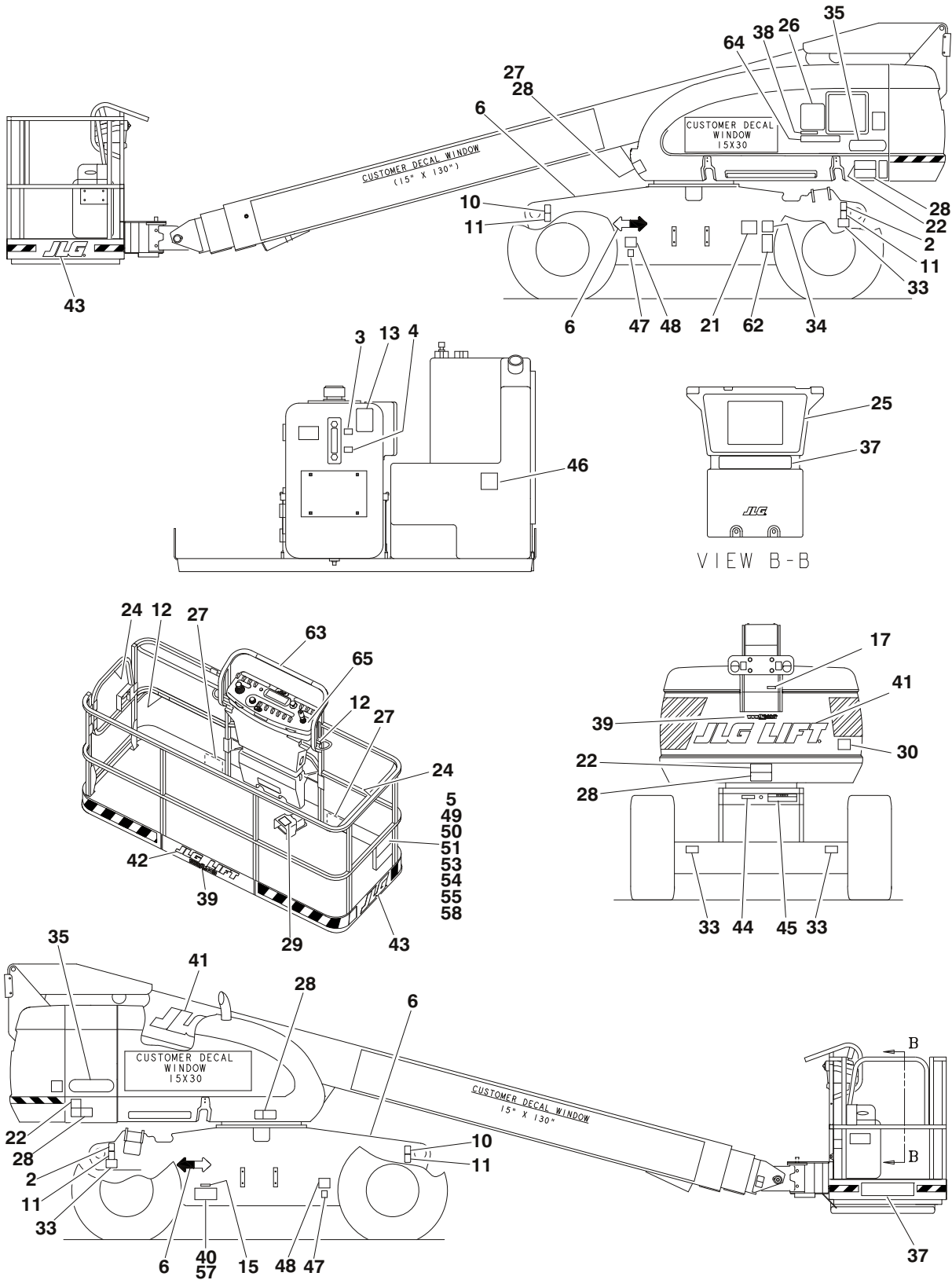
SECTION 8 DECALS

FIGURE 8-3. DECAL INSTALLATION (COUNTRY SPEC) (USA BUILT MACHINES SN 0300087000 TO SN 0300087912) (CONTINUED)

ITEM #	PART NUMBER	QTY.	DESCRIPTION	REV.

SECTION 8 DECALS

FIGURE 8-4. DECAL INSTALLATION (COUNTRY SPEC) (USA BUILT MACHINES SN 0300087912 TO SN 0300171769 & CHINA BUILT MACHINES SN B300000100 TO PRESENT)



SECTION 8 DECALS

FIGURE 8-4. DECAL INSTALLATION (COUNTRY SPEC) (USA BUILT MACHINES SN 0300087912 TO SN 0300171769 & CHINA BUILT MACHINES SN B300000100 TO PRESENT)

ITEM #	PART NUMBER	QTY.	DESCRIPTION	REV.
		Ref	STANDARD DECAL INSTALLATIONS	
	0274093	Ref	Decal - JLG	2
	0273885	Ref	600S Brazilian Spec	B
	0273886	Ref	600SJ Brazilian Spec	8
	0273887	Ref	660SJ Brazilian Spec	B
	0275099	Ref	600S Chinese Spec (Traditional)	10
	1001116839	Ref	600S Chinese Spec (Simplified)	4
	See Note	Ref	600SJ Chinese Spec (Note: Not Available for Purchase.)	
	0273871	Ref	660SJ Chinese Spec (Traditional)	B
	1001117939	Ref	660SJ Chinese Spec (Simplified)	4
	0273872	Ref	600S CSA Spec	B
	0273873	Ref	600SJ CSA Spec	7
	0273874	Ref	660SJ CSA Spec	C
	0273888	Ref	600S Japanese Spec	B
	0273889	Ref	600SJ Japanese Spec	7
	0273890	Ref	660SJ Japanese Spec	B
	0273870	Ref	600S Korean Spec	B
	1001112941	Ref	600SJ Korean Spec	2
	0274925	Ref	660SJ Korean Spec	11
	0273882	Ref	600S Latin American Spec	B
	0273883	Ref	600SJ Latin American Spec	8
	0273884	Ref	660SJ Latin American Spec	B
1	Not Used			
2	1701499	2	Decal - No Tie Down /Lift	
3	1701502	1	Decal - High Oil Level (USA Built Machines SN 0300087912 to SN 0300133154)	
4	1701503	1	Decal - Low Oil Level (USA Built Machines SN 0300087912 to SN 0300133154)	
5	1701509	1	Decal - Manual	
6	1701529	4	Decal- Arrow	
7 to 9	Not Used			
10	1703811	2	Decal - Tie Down /Lift	
11	1703814	4	Decal - Tie Down	
12	1704277	3	Decal - Attach Lanyard Here	
13	1704412	1	Decal - Hydraulic Oil	
14	Not Used			
15		AR	Decal - CSA Options:	
	1705514	1	CSA Spec Only	
	Not Required	0	All Other Specs	
16	Not Used			
17		1	Nameplate Options:	
	3251243		120V-60Hz	
	3252507		220V-50/60Hz	
18 to 20	Not Used			

SECTION 8 DECALS

FIGURE 8-4. DECAL INSTALLATION (COUNTRY SPEC) (USA BUILT MACHINES SN 0300087912 TO SN 0300171769 & CHINA BUILT MACHINES SN B300000100 TO PRESENT)

ITEM #	PART NUMBER	QTY.	DESCRIPTION	REV.
21		AR	Decal - Inspection Options:	
		1	Brazilian Spec	
	1705901		USA Built Machines SN 0300087912 to SN 0300151358	
	1705901		China Built Machines SN B300000100 to SN B300000358	
	Not Required	0	Chinese Spec	
		1	CSA Spec Options:	
	1704006		USA Built Machines SN 0300087912 to SN 0300151358	
	1704006		China Built Machines SN B300000100 to SN B300000358	
	Not Required	0	Japanese Spec	
	Not Required	0	Korean Spec	
		1	Latin American Spec Options:	
	1704007		USA Built Machines SN 0300087912 to SN 0300151358	
	1704007		China Built Machines SN B300000100 to SN B300000358	
22		4	Decal - Warning/Crushing Options:	
	1705903		Brazilian Spec	
	1703943		Chinese Spec (Traditional)	
	1001116845		Chinese Spec (Simplified)	
	1703942		CSA Spec	
	1703944		Japanese Spec	
	1703945		Korean Spec	
	1703941		Latin American Spec	
23	Not Used			
24		AR	Decal - No Hands Options:	
	1705967	2	Brazilian Spec	
		2	Chinese Spec Options:	
	1705968		USA Built Machines SN 0300087912 to SN 0300140843	
	1001116846		USA Built Machines SN 0300140843 to SN 0300171769	
	1001116846		China Built Machines SN B300000100 to Present	
	1704000	2	CSA Spec	
	Not Required	0	Japanese Spec	
	1705969	2	Korean Spec	
	1704001	2	Latin American Spec	
25		1	Decal - Danger/Warning Options:	
	1705895		Brazilian Spec	
	1703925		Chinese Spec (Traditional)	
	1001116847		Chinese Spec (Simplified)	
	1703924		CSA Spec	
	1703926		Japanese Spec	
	1703927		Korean Spec	
	1703923		Latin American Spec	
26		1	Decal - Warning Inspection Options:	
	1705896		Brazilian Spec	
			Chinese Spec (Traditional)	
	1705348		USA Built Machines SN 0300087912 to SN 0300140843	
	1001116849		USA Built Machines SN 0300140843 to SN 0300171769	
	1001116849		China Built Machines SN B300000100 to Present	
	1001116848		Chinese Spec (Simplified)	
1705347		CSA Spec		

SECTION 8 DECALS

FIGURE 8-4. DECAL INSTALLATION (COUNTRY SPEC) (USA BUILT MACHINES SN 0300087912 TO SN 0300171769 & CHINA BUILT MACHINES SN B300000100 TO PRESENT)

ITEM #	PART NUMBER	QTY.	DESCRIPTION	REV.
26 (cont'd)	1705344		Japanese Spec	
	1705345		Korean Spec	
	1705917		Latin American Spec	
27		4	Decal - Warning Crushing Options:	
	1705898		Brazilian Spec	
	1703949		Chinese Spec (Traditional)	
	1001116850		Chinese Spec (Simplified)	
	1703948		CSA Spec	
	1703950		Japanese Spec	
	1703951		Korean Spec	
	1703947		Latin American Spec	
28		4	Decal - Danger Electrocutation Options:	
	1705897		Brazilian Spec	
			Chinese Spec (Traditional)	
	1703937		USA Built Machines SN 0300087912 to SN 0300140843	
	1001116851		USA Built Machines SN 0300140843 to SN 0300171769	
	1001116851		China Built Machines SN B300000100 to Present	
	1703937		Chinese Spec (Simplified)	
	1703936		CSA Spec	
	1703938		Japanese Spec	
	1703939		Korean Spec	
	1703935		Latin American Spec	
29		1	Nameplate - Footswitch Options:	
	1705902		Brazilian Spec	
	1703982		Chinese Spec (Traditional)	
	1001116852		Chinese Spec (Simplified)	
	1703984		CSA Spec	
	1703980		Japanese Spec	
	1703981		Korean Spec	
	1703983		Latin American Spec	
30		AR	Decal - USA Options:	
	3251813	1	All Specs Except Korean & Japanese Specs (USA Built Machines)	
	Not Required	0	All Specs (China Built Machines)	
	3251813	1	Japanese Specs (USA Built Machines SN 0300087000 to SN 0300151358)	
	Not Required	0	Japanese Specs (USA Built Machines SN 0300151358 to SN 0300171769 and All Chinese Built Machines)	
	Not Required	0	Korean Specs	
31 to 32	Not Used			
33		1	Decal Kit - Tire Load Options:	
	2902304		600S Tire Load Decal Kit (Includes Qty 4 of p/n 1703470)	
	1703470	4	Decal - Tire Load (600S)	
	2902305		600SJ Tire Load Decal Kit (Includes Qty 4 of p/n 1703471)	
	1703471	4	Decal - Tire Load (660S)	
	2902306		660SJ Tire Load Decal Kit (Includes Qty 4 of p/n 1703472)	
	1703472	4	Decal - Tire Load (660SJ)	
34	See Note	1	Decal - Bar Code (Note: Not Available for Purchase.)	

SECTION 8 DECALS

FIGURE 8-4. DECAL INSTALLATION (COUNTRY SPEC) (USA BUILT MACHINES SN 0300087912 TO SN 0300171769 & CHINA BUILT MACHINES SN B300000100 TO PRESENT)

ITEM #	PART NUMBER	QTY.	DESCRIPTION	REV.
35	1702815 1702816 1702817	2	Decal - Model Options: 600S 600SJ 660SJ	
36	Not Used			
37	1706380 1704101 1001116853 1704099 1704102 1704103 1704098 1001121806 1001121809 1001121811 1001121802 1001121807 1001122200 1001121804 1703996 1707057 1707060 1707055 1707059 1707058 1707056 1001121656 1001121810 1001121803 1001121808 1001121918 1001121805	2	Decal - Capacity Options: 600S: USA Built Machines SN 0300087912 to SN 0300143326 & China Built Machines SN B300000100 to SN B300000189: Brazilian Spec Chinese Spec (Traditional) Chinese Spec (Simplified) CSA Spec Japanese Spec Korean Spec Latin American Spec USA Built Machines SN 0300143326 to SN 0300171769 & China Built Machines SN B300000189 to Present: Brazilian Spec Chinese Spec (Traditional) Chinese Spec (Simplified) CSA Spec Japanese Spec Korean Spec Latin American Spec 600SJ & 660SJ: USA Built Machines SN 0300087912 to SN 0300099060: Brazilian, Chinese, CSA, Japanese, Korean & Latin American Spec USA Built Machines SN 0300099060 to SN 0300143326 & China Built Machines SN B300000100 to SN B300000189: Brazilian Spec Chinese Spec CSA Spec Japanese Spec Korean Spec Latin American Spec USA Built Machines SN 0300143326 to SN 0300171769 & China Built Machines SN B300000189 to Present: Brazilian Spec Chinese Spec CSA Spec Japanese Spec Korean Spec Latin American Spec	

SECTION 8 DECALS

FIGURE 8-4. DECAL INSTALLATION (COUNTRY SPEC) (USA BUILT MACHINES SN 0300087912 TO SN 0300171769 & CHINA BUILT MACHINES SN B300000100 TO PRESENT)

ITEM #	PART NUMBER	QTY.	DESCRIPTION	REV.
38		1	Decal - Capacity Options: 600S: USA Built Machines SN 0300087912 to SN 0300099060: 1706381 Brazilian Spec 1704109 Chinese Spec 1704107 CSA Spec 1704110 Japanese Spec 1704111 Korean Spec 1704106 Latin American Spec USA Built Machines SN 0300099060 to SN 0300143326 & China Built Machines SN B300000100 to SN B300000189: 1707051 Brazilian Spec 1707045 Chinese Spec (Traditional) 1001116854 Chinese Spec (Simplified) 1707046 CSA Spec 1707053 Japanese Spec 1707043 Korean Spec 1707048 Latin American Spec USA Built Machines SN 0300143326 to SN 0300171769 & China Built Machines SN B300000189 to Present: 1001121819 Brazilian Spec 1001121822 Chinese Spec (Traditional) 1001121824 Chinese Spec (Simplified) 1001121815 CSA Spec 1001121820 Japanese Spec 1001122201 Korean Spec 1001121817 Latin American Spec 600SJ & 660SJ: USA Built Machines SN 0300087912 to SN 0300099060: 1704112 Brazilian, Chinese, CSA, Japanese, Korean & Latin American Spec USA Built Machines SN 0300099060 to SN 0300143326 & China Built Machines SN B300000100 to SN B300000189: 1707052 Brazilian Spec 1707044 Chinese Spec 1707047 CSA Spec 1707054 Japanese Spec 1707042 Korean Spec 1707049 Latin American Spec USA Built Machines SN 0300143326 to SN 0300171769 & China Built Machines SN B300000189 to Present 1001121655 Brazilian Spec 1001121823 Chinese Spec 1001121816 CSA Spec 1001121821 Japanese Spec 1001121921 Korean Spec 1001121818 Latin American Spec	

SECTION 8 DECALS

FIGURE 8-4. DECAL INSTALLATION (COUNTRY SPEC) (USA BUILT MACHINES SN 0300087912 TO SN 0300171769 & CHINA BUILT MACHINES SN B300000100 TO PRESENT)

ITEM #	PART NUMBER	QTY.	DESCRIPTION	REV.
39	1704885	AR	Decal - Website	
40	See Note	1	Nameplate - Serial Number (Note: Not Available for Purchase.)	
41	1702861	3	Decal - JLG Lift (8in)	
42	1702774	1	Decal - JLG Lift (3-1/2in)	
43	1702773	2	Decal - JLG Lift (5in)	
44	3250872	1	Nameplate - Steer/Tow Selection (Machines with Tow Package Only)	
45		1	Decal - Tow Instructions Options (Machines with Tow Package Only):	
	1702305		2WD	
	1703403		4WD	
46		1	Decal - Fuel	
	1701542		Ford & GM Engine Machines	
	1701505		Caterpillar & Deutz Engine Machines	
47	1701543	2	Decal - LP Gas (Gas Engine Only)	
48		2	Decal - LP Gas Liquid Options (Gas Engine Only):	
	1700818		English Language	
	1704271		English & French Languages	
	1702720		Spanish Language	
49	0100011	AR	Compound, Locking	
50	0641406	4	Bolt 1/4in-20NC x 3/4in	
51	0641408	1	Bolt 1/4in-20NC x 1in	
52	Not Used			
53	0860520	1	Box, Manual Storage	
54	1060279	1	Cable, Lanyard	
55	3311405	5	Locknut 1/4in-20NC	
56	Not Used			
57	3820001	4	Rivet	
58	4751400	10	Flatwasher 1/4in	
59 to 61	Not Used			
62		1	Decal - Patent Options:	
	1700584		All Other Specs Except CSA Spec & Latin American Spec (USA Built Machines SN 0300087912 to SN 0300143326 & China Built Machines SN B300000100 to SN B300000189)	
	1702573		Latin American Spec Only	
	1700584		CSA Spec	
	1001131269		USA Built Machines SN 0300087912 to SN 0300143326 & China Built Machines SN B300000100 to SN B300000189	
			USA Built Machines SN 0300143326 to SN 0300171769 & China Built Machines SN B300000189 to Present	
63		1	Decal - Legend Options:	
	1702784	1	USA Built Machines SN 0300087912 to SN 0300099060	
	1706931	1	USA Built Machines SN 0300099060 to SN 0300138729	
	1001108493	1	USA Built Machines SN 0300138729 to SN 0300171769	
	1001108493	1	China Built Machines SN B300000100 to Present	

SECTION 8 DECALS

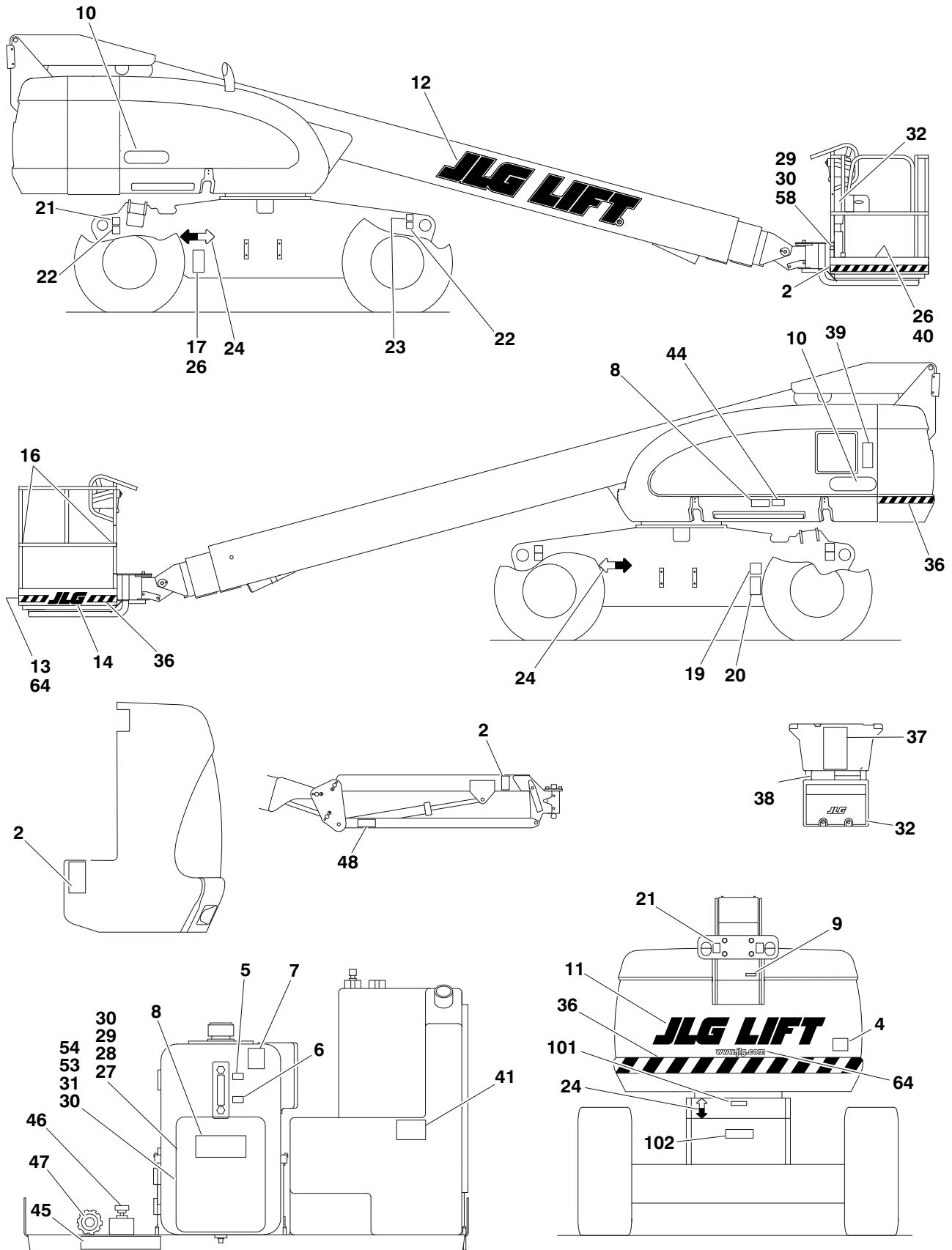
FIGURE 8-4. DECAL INSTALLATION (COUNTRY SPEC) (USA BUILT MACHINES SN 0300087912 TO SN 0300171769 & CHINA BUILT MACHINES SN B300000100 TO PRESENT)

ITEM #	PART NUMBER	QTY.	DESCRIPTION	REV.	
64		1	Decal - Legend		
	1703808	1	USA Built Machines SN 0300087912 to SN 0300099060		
	1706941	1	USA Built Machines SN 0300099060 to SN 0300171769		
	1706941	1	China Built Machines SN B300000100 to Present		
65		1	Decal - Drive/Steer Instructions Options (USA Built Machines SN 0300138729 to SN 0300171769 & China Built Machines SN B300000100 to Present):		
	1705905		Brazilian Spec		
			Chinese Spec (Traditional)		
	1705430		USA Built Machines SN 0300087912 to SN 0300140843		
	1001116863		USA Built Machines SN 0300140843 to SN 0300171769		
	1001116863		China Built Machines SN B300000100 to Present		
	1705430		Chinese Spec (Simplified)		
	1705429		CSA Spec		
	1705426		Japanese Spec		
	1705427		Korean Spec		
	1705910		Latin American Spec		

		2902303	1	Master Decal Kit (Includes Items 2 & 5-17)	6
			1	Spec Decal Kit Options (Includes Items 19-31):	
		2902312		Brazilian Spec	8
		2902309		Chinese Spec (Traditional)	8
	1001116844		Chinese Spec (Simplified)	2	
	2902322		CSA Spec	8	
	2902308		Japanese Spec	8	
	2902310		Korean Spec	4	
	2902311		Latin American Spec	9	

SECTION 8 DECALS

FIGURE 8-5. DECAL INSTALLATION (AUSTRALIAN & CE SPEC) (USA BUILT MACHINES SN 0300087000 TO SN 0300087912)



SECTION 8 DECALS

FIGURE 8-5. DECAL INSTALLATION (AUSTRALIAN & CE SPEC) (USA BUILT MACHINES SN 0300087000 TO SN 0300087912)

ITEM #	PART NUMBER	QTY.	DESCRIPTION	REV.
		Ref	STANDARD DECAL INSTALLATIONS	
	0271014	Ref	Decal - JLG	3
	0255330	Ref	600S Common Parts	11
	0255334	Ref	600SJ Common Parts	9
	0255332	Ref	660SJ Common Parts	12
	0256622	Ref	600S Australian Spec	9
	0256634	Ref	600SJ & 660SJ Australian Spec	9
	0256256	Ref	600S Dutch Spec	5
	0256573	Ref	600SJ & 660SJ Dutch Spec	5
	0256253	Ref	600S French Spec	6
	0256570	Ref	600SJ & 660SJ French Spec	6
	0256254	Ref	600S German Spec	5
	0256571	Ref	600SJ & 660SJ German Spec	5
	0256255	Ref	600S Italian Spec	6
	0256572	Ref	600SJ & 660SJ Italian Spec	6
	0273194	Ref	600S Norwegian Spec	3
	0256257	Ref	600S Spanish Spec	5
	0256574	Ref	600SJ & 660SJ Spanish Spec	5
	0256252	Ref	600S UK Spec	6
	0256569	Ref	600SJ & 660SJ UK Spec	6
	0257733	Ref	Warning Stripes Installation (CE Specs)	1
1	Not Used			
2	1701518	3	Decal - Crushing	
3	Not Used			
4		AR	Decal Options:	
	1705084	1	CE Spec	
	Not Required	0	Australian Spec	
5	1701502	1	Decal - High Oil Level	
6	1701503	1	Decal - Low Oil Level	
7	1701504	1	Decal - Hydraulic Oil	
8	1701509	1	Decal - Manual	
9		AR	Decal - 240/50HZ Options:	
	Not Required	0	CE Spec	
	3251242	1	Australian Spec	
10		2	Decal - Model Options:	
	1702815		600S	
	1702816		600SJ	
	1702817		660SJ	
11	1702861	3	Decal - JLG Lift (8in)	
12	1702862	1	Decal - JLG Lift (12in)	
13	1702774	1	Decal - JLG Lift (3-1/2in)	
14	1702773	2	Decal - JLG (5in)	
15	Not Used			
16		AR	Decal - Attach Lanyard Here Options:	
	Not Required	0	CE Spec	
	1704277	4	Australian Spec	

SECTION 8 DECALS

FIGURE 8-5. DECAL INSTALLATION (AUSTRALIAN & CE SPEC) (USA BUILT MACHINES SN 0300087000 TO SN 0300087912) (CONTINUED)

ITEM #	PART NUMBER	QTY.	DESCRIPTION	REV.
17	See Note	1	Nameplate - Serial Number (Note: Not Available for Purchase.)	
18	Not Used			
19	See Note	1	Decal - Bar Code (Note: Not Available for Purchase.)	
20	1700584	1	Decal - Patent	
21	1701499	2	Decal - No Tie Down /Lift	
22	1702300	4	Decal - Tie Down /Lift	
23	1701500	2	Decal - Tie Down /Lift	
24	1701529	4	Decal- Arrow	
25	Not Used			
26	3820001	4	Rivet	
27	0641408	1	Bolt 1/4in-20NC x 1in	
28	1060279	1	Cable, Lanyard	
29	3311405	AR	Locknut 1/4in-20NC	
30	4751400	AR	Flatwasher 1/4in	
31	0860520	1	Box, Manual Storage	
32	3380434	1	Panel, Pedestal	
33 to 35	Not Used			
36	4420051	17.4ft/5.3m	Decal - Warning Stripes	
37		1	Nameplate - Capacity Options:	
	1703992		Australian Spec	
	1701596		Dutch Spec	
	1690697		French Spec	
	1690697		German Spec	
	1690697		Italian Spec	
	1690697		Norwegian Spec	
	1690697		Spanish Spec	
	1690697		UK Spec	
38		1	Nameplate - Caution Options:	
	Not Required			
	1703186		Dutch Spec	
	1703184		French Spec	
	1703190		German Spec	
	1703185		Italian Spec	
	1705250		Norwegian Spec	
	1703187		Spanish Spec	
	1703183		UK Spec	
39		1	Nameplate - Caution Options:	
	1691483		Australian Spec	
	1701596		Dutch Spec	
	1693289		French Spec	
	1693291		German Spec	
	1701602		Italian Spec	
	1705232		Norwegian Spec	
	1701798		Spanish Spec	
	1691483		UK Spec	

SECTION 8 DECALS

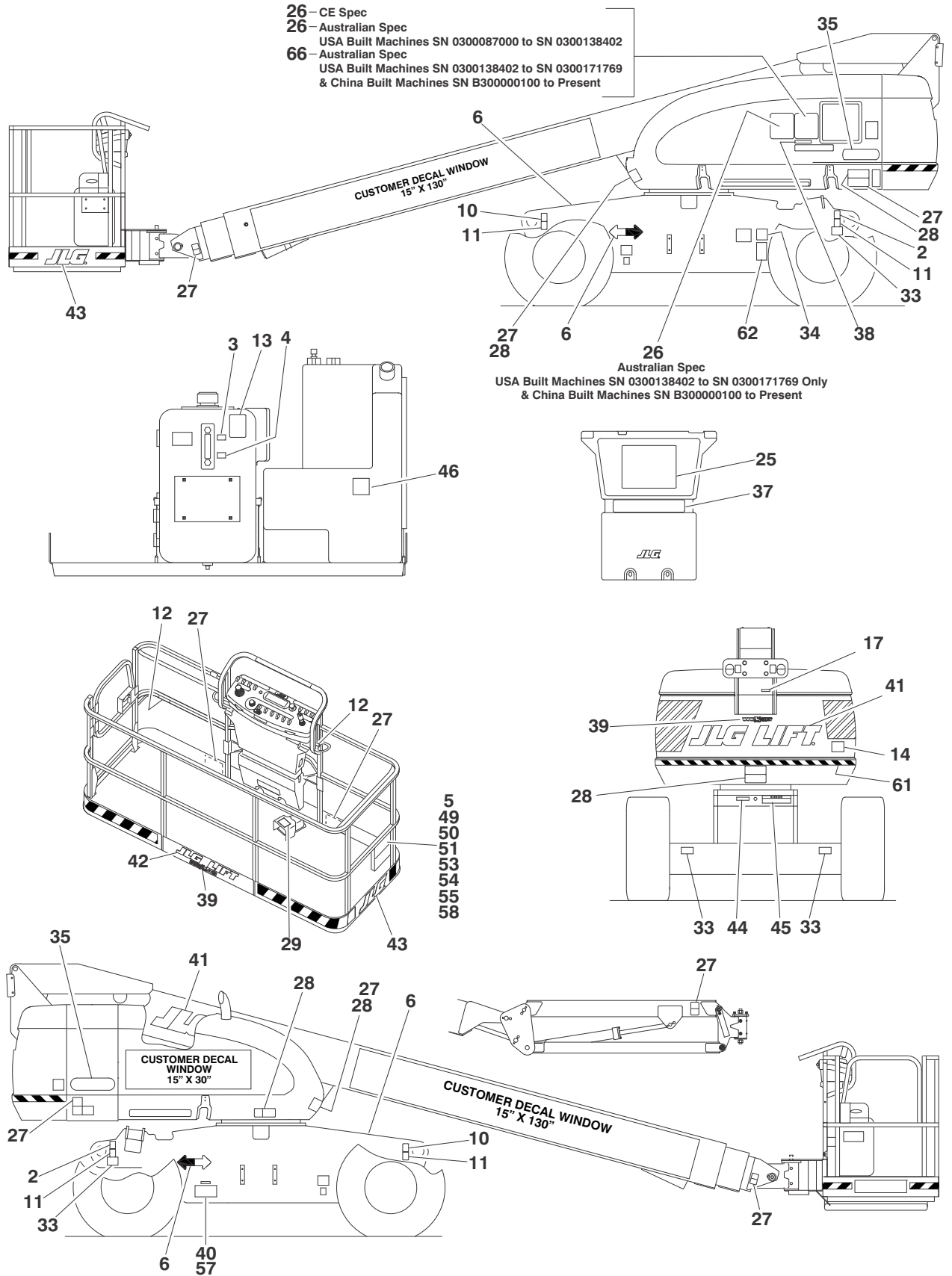
FIGURE 8-5. DECAL INSTALLATION (AUSTRALIAN & CE SPEC) (USA BUILT MACHINES SN 0300087000 TO SN 0300087912) (CONTINUED)

ITEM #	PART NUMBER	QTY.	DESCRIPTION	REV.
40	3252347	1	Nameplate - Footswitch Options:	
	1703518		Australian Spec	
	1693292		Dutch Spec	
	1693294		French Spec	
	1701600		German Spec	
	1705275		Italian Spec	
	1701791		Norwegian Spec	
	3252347		Spanish Spec	
			UK Spec	
41	1701505	1	Decal - Fuel (Diesel)	
42 to 43	Not Used			
44 to 48	Not Required			
49 to 52	Not Used			
53	0641406	4	Bolt 1/4in-20NC x 3/4in	
54	0100011	AR	Compound, Locking	
55 to 56	Not Used			
57		4	Decal - Wheel Load Options:	
	1703470		600S	
	1703471		600SJ	
	1703472		600SJ	
58	0641414	2	Bolt 1/4in-20NC x 1-3/4in	
59 to 63	Not Used			
64	1704885	2	Decal - Website	

		1	Decal Kit Options:	
	2900974		Australian Spec (Includes Items 1-16, 18,20-25,33-35,44 & 45)	
	2900937		CE Spec (Includes Items 1-16,20-24,46, 47 & 57)	
		Ref	OPTIONAL DECALS	
101	3250872	1	Nameplate - Steer/Tow Selection (Machines with Tow Package Only)	
102		1	Decal - Tow Instructions Options: (Machines with Tow Package Only)	
	1702305		2WD (Machines with Tow Package Only)	
	1703403		4WD (Machines with Tow Package Only)	

SECTION 8 DECALS

FIGURE 8-6. DECAL INSTALLATION (AUSTRALIAN & CE SPEC) (USA BUILT MACHINES SN 0300087912 TO SN 0300171769 & CHINA BUILT MACHINES SN B300000100 TO PRESENT)



SECTION 8 DECALS

FIGURE 8-6. DECAL INSTALLATION (AUSTRALIAN & CE SPEC) (USA BUILT MACHINES SN 0300087912 TO SN 0300171769 & CHINA BUILT MACHINES SN B300000100 TO PRESENT)

ITEM #	PART NUMBER	QTY.	DESCRIPTION	REV.
		Ref	STANDARD DECAL INSTALLATIONS	
	0274093	Ref	Decal - JLG	2
	0273875	Ref	600S (Australian Specs) (USA Built Machines SN 0300087912 to SN 0300138402)	C
	1001114385	Ref	600S (Australian Specs) (USA Built Machines SN 0300138402 to SN 0300171769)	B
	1001114385	Ref	600S (Australian Specs) (China Built Machines SN B300000100 to Present)	B
	0273875	Ref	600S (CE Specs)	B
	0273876	Ref	600SJ (Australian Specs) (USA Built Machines SN 0300087912 to SN 0300138402)	5
	1001114386	Ref	600SJ (Australian Specs) (USA Built Machines SN 0300138402 to SN 0300171769)	1
	0273876	Ref	600SJ (CE Specs)	4
	0273877	Ref	660SJ (Australian Specs) (USA Built Machines SN 0300087912 to SN 0300138402)	B
	1001114387	Ref	660SJ (Australian Specs) (USA Built Machines SN 0300138402 to SN 0300171769)	B
	1001114387	Ref	660SJ (Australian Specs) (China Built Machines SN B300000100 to Present)	B
	0273877	Ref	660SJ (CE Specs)	5
1	Not Used			
2	1701499	2	Decal - No Tie Down /Lift	
3	1701502	1	Decal - High Oil Level (USA Built Machines SN 0300087912 to SN 0300133154)	
4	1701503	1	Decal - Low Oil Level (USA Built Machines SN 0300087912 to SN 0300133154)	
5	1701509	1	Decal - Manual	
6	1701529	4	Decal- Arrow	
7 to 9	Not Used			
10	1703811	2	Decal - Tie Down /Lift	
11	1703814	4	Decal - Tie Down	
12	1704277	3	Decal - Attach Lanyard Here	
13	1704412	1	Decal - Hydraulic Oil	
14	1705084	1	Decal - Sound Power Level	
15 to 16	Not Used			
17		1	Nameplate Options: 120V-60Hz 220V-50/60Hz	
	3251243			
	3252507			
18 to 24	Not Used			
25	1705921	1	Decal - Tipping/Electrocution	
26	1705822	1	Decal - Electrocution/Safety Manual	
27	1701518	8	Decal - Warning Crushing	
28	1705961	5	Decal - Electrocution	
29	3255828	1	Nameplate - Footswitch	
30	3251813	1	Decal - USA (CE Spec Machines Built in USA SN 0300151358 to SN 0300171769 Only) (Not Shown)	
31 to 32	Not Used			

SECTION 8 DECALS

FIGURE 8-6. DECAL INSTALLATION (AUSTRALIAN & CE SPEC) (USA BUILT MACHINES SN 0300087912 TO SN 0300171769 & CHINA BUILT MACHINES SN B300000100 TO PRESENT)

ITEM #	PART NUMBER	QTY.	DESCRIPTION	REV.
33		1	Decal Kit - Tire Load Options:	
	2902304		600S Tire Load Decal Kit (Includes Qty 4 of p/n 1703470)	
	1703470	4	Decal - Tire Load (600S)	
	2902305		600SJ Tire Load Decal Kit (Includes Qty 4 of p/n 1703471)	
	1703471	4	Decal - Tire Load (660SJ)	
	2902306		660SJ Tire Load Decal Kit (Includes Qty 4 of p/n 1703472)	
	1703472	4	Decal - Tire Load (660SJ)	
34	See Note	1	Decal - Bar Code (Note: Not Available for Purchase.)	
35		2	Decal - Model Options:	
	1702815		600S	
	1702816		600SJ	
	1702817		660SJ	
36	Not Used			
37	1705978	1	Decal - Capacity	
38	1705978	1	Decal - Capacity	
39	1704885	AR	Decal - Website	
40	See Note	1	Nameplate - Serial Number (Note: Not Available for Purchase.)	
41	1702861	3	Decal - JLG Lift (8in)	
42	1702774	1	Decal - JLG Lift (3-1/2in)	
43	1702773	2	Decal - JLG Lift (5in)	
44	3250872	1	Nameplate - Steer/Tow Selection (Machines with Tow Package Only)	
45		1	Decal - Tow Instructions Options (Machines with Tow Package Only):	
	1702305		2WD	
	1703403		4WD	
46		1	Decal - Fuel	
	1701542		Ford & GM Engine Machines	
	1701505		Caterpillar & Deutz Engine Machines	
47 to 48	Not Used			
49	0100011	AR	Compound, Locking	
50	0641406	4	Bolt 1/4in-20NC x 3/4in	
51	0641408	1	Bolt 1/4in-20NC x 1in	
52	Not Used			
53	0860520	1	Box, Manual Storage	
54	1060279	1	Cable, Lanyard	
55	3311405	5	Locknut 1/4in-20NC	
56	Not Used			
57	3820001	4	Rivet	
58	4751400	10	Flatwasher 1/4in	
59 to 60	Not Used			
61	4420051	18ft/5.3m	Decal - Warning Stripe	
62		1	Decal - Patent Options	
	1700584		USA Built Machines SN 0300087912 to SN 0300143326 & China Built Machines SN B300000100 to SN B300000189	
	1001131269		USA Built Machines SN 0300143326 to SN 0300161210 & China Built Machines SN B300000189 to SN B300000631	
63 to 65	Not Used			

SECTION 8 DECALS

FIGURE 8-6. DECAL INSTALLATION (AUSTRALIAN & CE SPEC) (USA BUILT MACHINES SN 0300087912 TO SN 0300171769 & CHINA BUILT MACHINES SN B300000100 TO PRESENT)

ITEM #	PART NUMBER	QTY.	DESCRIPTION	REV.
66	1001112551	1	Decal - Emergency Controls (Australian Spec Only) (USA Built Machines SN 0300138402 to SN 0300171769 & China Built Machines SN B300000100 to Present Only) -----	
		AR	Decal Kit Options:	
	2902303	1	Master Decal Kit (Includes Items 2 & 5-17)	6
	2902329	1	Australian/CE Spec Decal Kit (Includes Items 19-31)	5

SECTION 8 DECALS

FIGURE 8-6. DECAL INSTALLATION (AUSTRALIAN & CE SPEC) (USA BUILT MACHINES SN 0300087912 TO SN 0300171769 & CHINA BUILT MACHINES SN B300000100 TO PRESENT)

ITEM #	PART NUMBER	QTY.	DESCRIPTION	REV.

SECTION 9 RECOMMENDED SERVICE PARTS STOCK

MODEL 600SJ/660SJ

The following list will service one machine (built to current production per date on the front cover) with emergency repair parts which can be installed in the field. Parts from the list should be replaced when inventory is depleted to keep service parts stock supplied. For further information, contact your JLG dealer or the JLG Industries Parts Department.

Part Number	Description	Qty./Machine
STANDARD PARTS		
2120210	Element Filter	4
2120149	Element, Filter	4
7020020	Switch, Indicator	1
7020021	Switch, Indicator	1
7012944	Coil	1
7012943	Coil	1
7018991	Coil	1
70000582	Coil	1
7012772	Coil	1
7012664	Element, Air Cleaner	1 Dozen
3740067	Relay	1
4360436	Switch, Fuel Level	1
7024444	Breather, Hydraulic Tank	1
3740049	Relay	1
4360328	Switch, Toggle	1
2860030	Key, Replacement	1
4360475	Switch, Mushroom	1
4360476	Switch, Contact Block	1
2940074	Latch	1
4360331	Switch, Toggle	1
4360407	Controller, Speed	1
4360330	Switch, Toggle	1
4360387	Switch, Push Button	1
1001129555	Controller (Lift and Swing)	1
1001118416	Controller (Drive and Steer)	1
2400065	Fuse, 30Amp	2
3990010	Diode	2
VARIABLE PARTS		
7026830	Filter, Fuel (Caterpillar Engine Machines)	1 Dozen
7026811	Filter, Oil (Caterpillar Engine Machines)	1 Dozen
1001112067	Module, Engine Control (Caterpillar Engine Machines)	1
7016328	Filter, Fuel (Deutz Engine Machines)	1 Dozen
7016331	Filter, Oil (Deutz Engine Machines)	1 Dozen
7026608	Relay (Deutz Engine Machines)	1
7027795	Module, Control (Deutz Engine Machines)	1
91083218	Filter, Fuel (Ford Engine Machines)	1 Dozen
7021868	Filter, Oil (Ford Engine Machines)	1 Dozen
1600374	Module, EPM (Ford Engine Machines)	1
7027972	Filter, Fuel (GM Engine Machines)	1 Dozen
7027965	Filter, Oil (GM Engine Machines)	1 Dozen
70002895	Module, ECU (GM Engine Machines)	1

SECTION 9 RECOMMENDED SERVICE PARTS STOCK

MODEL 600SJ/660SJ

The following list will service one machine (built to current production per date on the front cover) with emergency repair parts which can be installed in the field. Parts from the list should be replaced when inventory is depleted to keep service parts stock supplied. For further information, contact your JLG dealer or the JLG Industries Parts Department.

Part Number	Description	Qty./Machine
4360517	Switch, Proximity	1
4360469	Switch, Key (ANSI, ANSI Export & Australian Specs)	1
4360470	Switch, Key (CE Specs)	1
1001103667	Module - ADE (Ground Control) (Caterpillar, Deutz & GM Engine)	1
4360578	Switch, Limit	1
3740080	Relay (Machines with Generator)	1
4360336	Switch, Toggle (Machines with Generator)	1
4360506	Switch, Proximity (Australian & CE Specs Only)	1
70002005	Powertrack Repair Section (600S)	1
70002007	Powertrack Repair Section (660SJ)	1
4360336	Switch, Toggle (Machines with Floodlights)	1
1600375	Module - ADE (Platform Control)	1
4360331	Switch, Toggle (Machines with 4WS Options)	1
4360336	Switch, Toggle (Machines with Dual Fuel)	1
4360522	Switch, Toggle (Machines with Headlights/Chassis Worklights)	1
4360070	Breaker, Circuit (Machines with SkyPower)	1
2400064	Fuse - 5 Amp (Machines with SkyPower)	2
4360232	Breaker, Circuit (Machines with Platform Floodlights)	1
4360057	Switch, Limit (Machines with Soft Touch Option)	1
2400070	Fuse (Machines with Platform Worklights)	2

SECTION 10 SPECIAL OPTIONS

Note: This list is to accommodate machines ordered with special equipment. Options may not be applicable to all models. For more specific parts information contact JLG Parts Department.

FIG&ITEM#	PART NUMBER	QTY.	DESCRIPTION	REV.
10-1		Ref	MISCELLANEOUS SPECIAL OPTIONS	
	1340061	Ref	Air Cleaner Pre-Cleaner	
		Ref	Airline to Platform Installation Options:	
	0255388	Ref	1/2in 600S & 600SJ	
	0255389	Ref	1/2in 660SJ	
	1001093286	Ref	1/2in - 600S & 600SJ (Arctic Package Only)	
	0275341	Ref	1/2in - 660SJ (Arctic Package Only)	
	1001102674	Ref	Dual 1/2in 600S	
	0274219	Ref	Battery Disconnect Switch	
		Ref	Boom Wipers Installations	
	0256273	Ref	Bristle Brush Design	
	1001121605	Ref	Rubber Squeegee Design	
	0273834	Ref	Cable Installation - 600S (Fog Cannon)	
		Ref	Cable Tray Carrier Installation (Australian Spec Only)	
	1001116419	Ref	30in Platform	
	1001116420	Ref	36in Platform	
	0256789	Ref	Camera Mount Assembly	
		Ref	ClearSky Telematics (Factory Installed)	
		Ref	Note: Refer to ClearSky (Telematics) Manual p/n 3128499 for Service Parts.	
		Ref	ADE Machines (ABS Hoods)	
	1001102841	Ref	ANSI Spec	
	1001102842	Ref	ANSI Export & Japanese Specs	
	1001104985	Ref	CSA Spec	
		Ref	ADE/UGM Machines (ABS Hoods)	
	1001112990	Ref	ANSI Spec	
	1001112991	Ref	ANSI Export & Japanese Specs	
	1001112992	Ref	CSA Spec	
		Ref	ADE/UGM Machines (Steel Hoods)	
	1001118963	Ref	ANSI Spec	
	1001134103	Ref	Australian Specs	
	1001127087	Ref	Brazil & New Zealand Specs	
	1001118964	Ref	CSA Spec	

SECTION 10 SPECIAL OPTIONS

Note: This list is to accommodate machines ordered with special equipment. Options may not be applicable to all models. For more specific parts information contact JLG Parts Department.

FIG&ITEM#	PART NUMBER	QTY.	DESCRIPTION	REV.
		Ref	ClearSky Telematics Kit (Dealer Installed)	
		Ref	ANSI Spec	
	1001117251	Ref	Pre-UGM	
	1001119939	Ref	UGM	
		Ref	Australian Spec	
	1001139132	Ref	Pre-UGM	
	1001139151	Ref	UGM	
		Ref	CSA Spec	
	1001117258	Ref	Pre-UGM	
	1001119947	Ref	UGM	
		Ref	Cold Weather Package Installation Options:	
	0273575	Ref	Caterpillar Engine	
	0271912	Ref	Deutz	
	0255386	Ref	Ford	
	0275262	Ref	GM	
		Ref	Container - Tray Storage Options:	
	1580012	1	Center	
	1580013	1	Rail	
	1001093389	Ref	Cover, Fan	
	1001115918	Ref	Cribbing Installation	
		Ref	Cylinder Bellows Installations	
	0255929	Ref	Boom Bellows Installation (600S)	
	0255930	Ref	Boom Bellows Installation (600SJ & 660SJ)	
	0255354	Ref	Frame Bellows Installation (2WS)	
	0255356	Ref	Frame Bellows Installation (4WS)	
		Ref	Decal Installations Options:	
	1702788	1	Biodegradable Hydraulic Fluid Decal	
	1703479	1	Decal - Biodegradable Hydraulic Fluid (German Language)	
	1704174	1	Biodegradable (Synthetic) Hydraulic Fluid Decal	
	1704175	1	Decal - Biodegradable (Synthetic) Hydraulic Fluid (German Language)	
	1001154501	Ref	Decal - Boels Rentals	
	1001116251	Ref	Decal - ClearSky (ANSI Spec) (ABS Hoods)	
	1001116252	Ref	Decal - ClearSky (CSA Spec) (ABS Hoods)	
	1001120992	Ref	Decal - ClearSky (CSA Spec) (Steel Hoods)	
	0253550	Ref	CSA Decal Installation	
	0274455	Ref	FedEx Decal Installation (ANSI/CSA/CE Specs)	
	0257195	Ref	Government Warranty Decal Installation	
	0273246	Ref	Hertz Decals Installation (ANSI/CSA Specs) (SN 0300087000 to SN 0300147522)	

SECTION 10 SPECIAL OPTIONS

Note: This list is to accommodate machines ordered with special equipment. Options may not be applicable to all models. For more specific parts information contact JLG Parts Department.

FIG&ITEM#	PART NUMBER	QTY.	DESCRIPTION	REV.
	1001128985	Ref	Hertz Decals Installation (ANSI/CSA Specs) (SN 0300147522 to SN 0300171769)	
	0274528	Ref	Head & Engquist Equipment L.L.C (H&E) Decals Installation (ANSI Spec)	
	1001143076	Ref	Hewitt The Rental Store Decals Installation (English Language) (ANSI & CSA Specs)	
	1001143511	Ref	Hewitt The Rental Store Decals Installation (French Language) (ANSI & CSA Specs)	
	0256957	Ref	Lanyard Attach Decal Installation (GM K-1 Spec)	
	1001140624	Ref	Leavitt Decal Installation	
	0274243	Ref	National Equipment Services (NES) Decals Installation (ANSI/CSA Specs)	
	0270465	Ref	Nations Rent Decals Installation (ANSI/CSA Specs)	
	1702868	Ref	No Hands Decal (Platform With Mesh to Top Rail)	
		Ref	No Hands Decal - Chinese Options (Platform With Mesh to Top Rail):	
	1705968	Ref	USA Built Machines SN 0300087000 to SN 0300140843	
	1001116846	Ref	USA Built Machines SN 0300140843 to SN 0300171769	
	1001116846	Ref	China Built Machines SN B300000100 to SN 0300171769	
	1702868	Ref	No Hands Decal - ANSI Spec (Platform With Mesh to Top Rail)	
	1704000	Ref	No Hands Decal - CSA (Platform With Mesh to Top Rail)	
	1704001	Ref	No Hands Decal - Spanish (Platform With Mesh to Top Rail)	
	1705969	Ref	No Hands Decal - Korean (Platform With Mesh to Top Rail)	
	1705967	Ref	No Hands Decal - Portugese (Platform With Mesh to Top Rail)	
	0256487	Ref	Prop 65 Warning Decal Installation (Diesel Machines) (California Spec)	
	0256488	Ref	Prop 65 Warning Decal Installation (Gasoline Machines) (California Spec)	
	1001095383	Ref	RSC Decals Installation (ANSI Spec)	
	0273687	Ref	SkyAir Decal Installation (ANSI/ANSI Export/CSA Specs)	
	0272599	Ref	SkyCutter Decal Installation (ANSI/ANSI Export/CSA Specs)	
	0272607	Ref	SkyCutter Decal Installation (Brazilian/Japanese/Latin American Specs)	
	0272418	Ref	SkyGlazier Decal Installation (ANSI/Brazilian/CSA/Latin American/Australian Specs Model 600S Only)	
	0272589	Ref	SkyPower Decal Installation (Brazilian/Japanese/Latin American Specs)	
	0272448	Ref	SkyWelder Decal Installation (ANSI/ANSI Export/CSA Specs)	
	0272588	Ref	SkyWelder Decal Installation (Brazilian/Japanese/Latin American Specs)	
	0271107	Ref	Sunbelt Decals Installation (ANSI/CSA Specs)	
	1001151066	Ref	Titan Rentals Decal Installation (ANSI/CSA Specs)	
	0271893	Ref	United Rentals Decals Installations (ANSI/CSA Specs)	
	1001098291	Ref	UPS Decals Installations (ANSI/CSA Specs)	
	1001141470	Ref	Volvo Rents Decals Installation	
	2902394	Ref	Drive/Steer Cutout Kit	

SECTION 10 SPECIAL OPTIONS

Note: This list is to accommodate machines ordered with special equipment. Options may not be applicable to all models. For more specific parts information contact JLG Parts Department.

FIG&ITEM#	PART NUMBER	QTY.	DESCRIPTION	REV.
	1001109259	Ref	Drive Orientation Kit - 660SJ, 2WS (Australian Spec Only)	
		Ref	Electrical Connector Kits	
	1001148902	Ref	Amp/Tyco Electrical Connector Kit	
	1001148903	Ref	Deutsch DT Electrical Connector Kit	
	1001148904	Ref	Deutsch HD Electrical Connector Kit	
	1001148905	Ref	Packard Electrical Connector Kit	
	1001148906	Ref	Various Electrical Connectors Kit	
		Ref	Engine Block Heater Installations:	
	2580055	Ref	Caterpillar Engine Machines	
	0274227	Ref	Deutz Engine Machines	
	0258696	Ref	Ford Engine Machines	
	0275261	Ref	GM Engine Machines	
	1001093389	Ref	Engine Fan Shield Installation	
	1001153289	Ref	Exhaust Pipe Extension (Deutz Tier IVi Engine & Steel Hoods Only):	
		Ref	Filter Kits:	
		1	Combined Filter Kit (Hydraulic/Air & Fuel/Engine Oil)	
	1001110991	1	Caterpillar Engines (was p/n 1001114123 & p/n 1001114124)	
	1001110990	1	Deutz Engines	
	1001114042	1	Ford LRG-425 Engines (was p/n 1001114041)	
	1001114127	1	GM Engines (was p/n 1001114037)	
	1001109692	1	Hydraulic/Air Filter	
	1001110133	1	Fuel/Engine Oil Filter (Deutz Engines Only)	
	1001125824	Ref	Fire Extinguisher Brackets installation (Frame Mounted)	
	1001139099	Ref	Fire Extinguisher installation (Platform Mounted)	
	1001121554	Ref	Fire Protection For Hoses & Cables	
	0274233	Ref	Fuel Filter Installation (Davco Filter)	
		Ref	Footswitch Shield (Note: Move Decal to Shield)	
	4060959	Ref	USA Built Machines SN 0300087000 to SN 0300093958	
	3380652	Ref	USA Built Machines SN 0300093958 to SN 0300167683	
	1001117294	Ref	USA Built Machines SN 0300167683 to SN 0300171769	
	0271548	Ref	Glow Plugs Installation (Deutz Engine Machines) Options:	
	2901691	Ref	Kit, Intake Glow Plugs Installed In Intake (Deutz Engine Machines)	

SECTION 10 SPECIAL OPTIONS

Note: This list is to accommodate machines ordered with special equipment. Options may not be applicable to all models. For more specific parts information contact JLG Parts Department.

FIG&ITEM#	PART NUMBER	QTY.	DESCRIPTION	REV.
		Ref	Hood (Steel) Replacement Kit	
	1001126287	Ref	Caterpillar & GM Engine Machines	
	1001126286	Ref	Deutz Engine Machines	
	Not Available	Ref	Ford Engines Machines	
			Hostile (Extreme) Environment Options:	
	1001122603	Ref	2WS	
	1001121411	Ref	4WS	
	1001094475	Ref	Hourmeter for Generator Installation	
		Ref	Hydraulic Fluids Options:	
	2300014	Ref	Mobil 424	
	2300027	Ref	Mobil 224H Bio	
	2300029	Ref	Mobil EAL ISO 46 Bio	
	2300016	Ref	Mobil DTE 10 Excel 32	
	2300019	Ref	Quaker State Quintolubric 888-46 Fire Res.	
	2300039	Ref	Exxon Univis Hvi 26	
	1001148971	Ref	Lanyard (Bolt-On) Kit Installation	
		Ref	Loop Flushing Installations (Requires Oil Cooler Installation)	
	0273741	Ref	2WD	
	0273738	Ref	4WD	
	1001147699	Ref	Manual Storage Box Relocation Kit	
		Ref	Oil Cooler Installations (Requires Loop Flushing Installation)	
		Ref	Deutz Engine Machines	
	0256762/1282665	Ref	USA Built Machines SN 0300087000 to SN 0300137650	
	1001108701	Ref	USA Built Machines SN 0300137650 to SN 0300171769	
	1001108701	Ref	China Built Machines SN B300000100 to Present	
	0272041/1283309	Ref	Ford & GM Engine Machines	
	0257728	Ref	Pipe Jack Installation	
	0274661	Ref	Pipe Rack Installation (Australian Spec Only)	
		Ref	Platform Console Cover Installations	
	0258703	Ref	Flat Cover	
	1001110974	Ref	Curved Cover (All Specs except Chines & Korean Specs)	
	1001125229	Ref	Curved Cover (Korean Spec)	
	1001125230	Ref	Curved Cover (Chinese Spec)	

SECTION 10 SPECIAL OPTIONS

Note: This list is to accommodate machines ordered with special equipment. Options may not be applicable to all models. For more specific parts information contact JLG Parts Department.

FIG&ITEM#	PART NUMBER	QTY.	DESCRIPTION	REV.
		Ref	Platform Entry Kit	
	1001142504	Ref	Kit, Replace Swing Gate with Drop Bar	
	1001142505	Ref	Kit, Replace Drop Bar with Swing Gate	
		Ref	Platform Huck Fasteners Replacement Hardware	
	0641416	AR	Bolt 1/4in-20NC x 2in	
	3311405	AR	Locknut 1/4in-20NC	
	4711400	AR	Flatwasher 1/4in	
	3300151	AR	Acorn Nut 1/4in-20NC	
		Ref	Platform Mesh to Mid Rail Installation (Side-Entry)	
	1001140318	Ref	30in x 48in Platform	
	1001140315	Ref	30in x 60in Platform	
	1001138772	Ref	30in x 72in Platform	
	1001138773	Ref	36in x 96in Platform	
		Ref	Platform Mesh to Top Rail Installation (Side-Entry)	
	0273147	Ref	30in x 48in Platform	
	0273146	Ref	30in x 60in Platform	
	0273148	Ref	30in x 72in Platform	
	0273149	Ref	36in x 72in Platform	
	0273145	Ref	36in x 96in Platform	
	1001149730	Ref	Platform Mid Rail Repair Kit	
		Ref	Platform Top Rail Extension (W/Side Entry)	
	0272733	Ref	3ftx6ft Platforms	
	0272725	Ref	3ftx8ft Platforms	
	2910073	Ref	Power Track Hose & Clamp Kit	
	1320247	1	Clamp, Nylon	
	0641522	1	Bolt 5/16in-18NC x 2-3/4in	
	3311505	1	Locknut 5/16in-18NC	
	4711500	2	Flatwasher 5/16in	
	2753084	1	Hose	
	1001100151	Ref	Security Lock (Programmable) Installation	
	1001116159	Ref	Sky Power Kit, Deutz 7500W (600S Only)	

SECTION 10 SPECIAL OPTIONS

Note: This list is to accommodate machines ordered with special equipment. Options may not be applicable to all models. For more specific parts information contact JLG Parts Department.

FIG&ITEM#	PART NUMBER	QTY.	DESCRIPTION	REV.
		Ref	Sky Accessories:	
		Ref	Note: For Breakdown of Sky Accessories Refer to Accessory Manual p/n 3124242.	
	0273450	Ref	SkyAir Compressor (ANSI/ANSI Export/CSA Specs)	
	See Note	Ref	SkyCutter Plasma Cutter (ANSI/ANSI Export/CSA Specs - was p/n 0272590) (USA Built Machines SN 0300087000 to SN 0300119173) (Note: No Longer Available.)	
	See Note	Ref	SkyCutter Plasma Cutter (Brazilian/Japanese/Latin American Specs - was p/n 0272606) (USA Built Machines SN 0300087000 to SN 0300119173.) (Note: No Longer Available.)	
	1001098149	Ref	SkyCutter Plasma Cutter (ANSI/ANSI Export/Brazilian/CSA/Japanese/Latin American Specs) (USA Built Machines SN 0300119173 to SN 0300171769 & China Built Machines SN B300000100 to Present)	
	0273353	Ref	SkyCutter/Sky Welder Combo (ANSI/ANSI Export/CSA Specs)	
	0272395	Ref	SkyGlazier (Model 600S ANSI/CSA Spec Only) (USA Built Machines SN 0300087000 to SN 0300124132)	
	1001099376	Ref	SkyGlazier (Model 600S ANSI/CSA Spec Only) (USA Built Machines SN 0300124132 to SN 0300131102)	
	1001101422	Ref	SkyGlazier (Model 600S ANSI/CSA Specs Only) (USA Built Machines SN 0300124132 to SN 0300171769)	
	1001101422	Ref	SkyGlazier (Model 600S Australian Specs without Load Sensing Spec)	
	1001102647	Ref	SkyGlazier (Model 600S Australian with Load Sensing Spec)	
	0272387	Ref	SkyGlazier (Model 600S Latin America Spec Only) (USA Built Machines SN 0300087000 to SN 0300124132)	
	1001099421	Ref	SkyGlazier (Model 600S Latin America Spec Only) (USA Built Machines SN 0300124132 to SN 0300171769)	
	0272955	Ref	SkyGlazier (Model 600S Brazilian Spec Only) (USA Built Machines SN 0300087000 to SN 0300124132)	
	1001099422	Ref	SkyGlazier (Model 600S Brazilian Spec Only) (USA Built Machines SN 0300124132 to SN 0300171769)	
	0272254	Ref	SkyWelder (ANSI/ANSI Export/CSA Specs)	
	0272521	Ref	SkyWelder (Brazilian/Japanese/Latin American Specs)	
		Ref	SkyGuard Component Options:	
	1001149560	Ref	SkyGuard Complete Add-On Kit (Non-UGM Machines)	
	1001143669	Ref	SkyGuard Complete Add-On Kit (UGM Machines)	
	1001137672	Ref	SkyGuard Platform Sensor Kit (UGM Machines)	
	1001143256	Ref	SkyGuard Blue Beacon Kit	
	3121435	Ref	SkyGuard Combined Platform, Switch & Beacon Kit	
	3121462	Ref	SkyGuard Alert Beacon Kit	
	1001110926	Ref	Soft Touch (Overhead) Installation (Chinese/Korean Specs Only)	
		Ref	Strobe Light Installations (Amber)	
	1001152965	Ref	Platform Mounted	
	1001154231	Ref	Platform/Ground Mounted	

SECTION 10 SPECIAL OPTIONS

Note: This list is to accommodate machines ordered with special equipment. Options may not be applicable to all models. For more specific parts information contact JLG Parts Department.

FIG&ITEM#	PART NUMBER	QTY.	DESCRIPTION	REV.
	1001136698	Ref	Tiedown Lug Kit (600S & 660SJ Only)	
	0272302	Ref	Tire Sealant Installation	
	0272312	Ref	Tire Sealant Decal Installation	
	2902203	1	Kit, Tire Sealant Decal	
		Ref	Tools for Service	
	7002840	1	Antirotation Pin Removal Tool	
	8896941	1	Wire Stripper	
	7002821	1	Wire Crimper (To install wire ends to wires)	
	7002823	1	Pin/Socket Extractor - Universal (To Remove Pins/Sockets from Connectors)	
	4460467	1	Extractor - 16-18 Gauge (For Removal of Pin/Sockets from Deutsch Connectors)	
	4460510	1	Extractor - 12-14 Gauge (For Removal of Pin/Sockets from Deutsch Connectors)	
	7002822	1	Screwdriver, Potentiometer (To Adjust Drive Controllers)	
	7016654	1	Screwdriver, Magnetic	
	7004275	1	Seal Installation Tool - 1in	
	7004276	1	Seal Installation Tool - 1-1/2in	
	7002826	1	Seal Installation Tool - 2in	
	7016655	1	Wire Rope Sheave Gauge	
	7016652	1	Huck Bolt Faster (For Small Huck Bolts Only)	
	1001137005	1	Software Cable Kit	
		Ref	Tool (Hydraulic) Installations Options:	
	0272347	Ref	600S	
	0272348	Ref	600SJ	
	0272349	Ref	660SJ	
	0258918	Ref	Utility Rack Installation	
		Ref	Weld Leads to Platform Installation Options:	
	0255399	Ref	600S & 600SJ	
	0255895	Ref	660SJ	
	0273449	Ref	Wheel Cover Installation	

SECTION 11 PARTS NUMBER INDEX

Part Number	Page	Part Number	Page	Part Number	Page	Part Number	Page
0060066	3-8, 3-19	0140001	2-4	0256633	4-12	0272341	8-4
0060067	3-3, 3-19	0140011	4-11, 4-17	0256634	8-25	0272347	10-8
0080163	2-53	0140032	2-102, 7-16, 7-34	0256663	8-11	0272348	10-8
0080181	2-28, 2-38	0181727	2-28, 2-47, 2-58, 2-66	0256672	8-11	0272349	10-8
0080201	2-59, 2-68, 2-74	0181949	2-87	0256673	8-11	0272387	10-7
0080214	2-59	0200048	4-31	0256690	2-50	0272395	10-7
0080241	2-102	0200741	2-130	0256762	6-16, 10-5	0272418	10-3
0080243	2-28, 2-38	0200742	2-130	0256789	10-1	0272427	4-13, 4-19, 4-31
0100009	4-11, 4-17	0200819	2-126	0256823	2-111, 2-117, 2-122	0272435	2-147, 2-153, 2-157
0100011	1-3, 1-7, 1-8, 1-11, 1-13, 1-30, 1-33, 1-34, 2-4, 2-13, 2-28, 2-31, 2-38, 2-39, 2-40, 2-41, 2-46, 2-49, 2-50, 2-58, 2-59, 2-66, 2-67, 2-68, 2-72, 2-73, 2-74, 2-85, 2-89, 2-93, 2-97, 2-102, 2-103, 2-111, 2-114, 2-117, 2-120, 2-121, 2-122, 2-126, 2-130, 2-135, 2-139, 2-143, 2-151, 2-155, 3-4, 3-9, 10, 3-14, 3-21, 4-5, 4-31, 4-35, 5-5, 5-9, 5-11, 5-14, 5-19, 5-21, 6-15, 7-19, 7-37, 7-43, 8-4, 8-9, 8-13, 8-22, 8-27, 8-30	02539585	2-14	0256847	2-53	0272448	10-3
		0253550	10-2	0256957	10-3	0272483	7-7, 7-27
		0254798	2-14	0257175	7-17, 7-35	0272484	7-7, 7-27
		0254849	2-85	0257195	10-2	0272485	7-7, 7-27
		0255316	2-14	0257493	8-11	0272486	7-7, 7-27
		0255329	8-3	0257494	8-11	0272487	7-7
		0255330	8-11, 8-25	0257728	10-5	0272488	7-7
		0255331	8-3	0257733	8-25	0272492	2-143, 7-21
		0255332	8-11, 8-25	0257733	8-25	0272507	2-102, 7-16, 7-34
		0255333	8-3	0257887	2-102, 7-16, 7-34	0272521	10-7
		0255334	8-11, 8-25	0258696	10-4	0272588	10-3
		0255335	2-101	0258703	10-5	0272589	2-147, 10-3
		0255354	10-2	0258918	10-8	0272590	10-7
		0255356	10-2	0258945	4-13, 4-19	0272599	10-3
		0255386	10-2	0259328	8-11	0272606	10-7
		0255388	10-2	0259329	8-11	0272607	10-3
		0255389	10-1	0259330	8-11	0272640	2-143, 7-21
		0255399	10-8	0270329	2-13	0272725	10-6
		0255524	2-86	0270465	10-3	0272733	10-6
		0255698	2-101	0270528	1-33, 1-34	0272817	2-151, 7-21
		0255881	2-107	0270733	7-7, 7-27	0272955	10-7
		0255895	10-8	0270734	7-7, 7-27	0272970	4-6
		0255929	10-2	0270735	7-7, 7-27	0272992	1-14
		0255930	10-2	0270736	7-7, 7-27	0272993	1-14
		0256113	7-17, 7-35	0270737	7-7	0273001	1-13
		0256122	2-111, 2-117, 2-122	0270738	7-7	02730045	2-129
		0256201	7-17, 7-35	0270764	4-13	0273048	1-13, 1-29
		0256252	8-25	0270804	3-21	0273049	1-13, 1-29
		0256253	8-25	0270805	2-102, 7-3	0273052	2-89
		0256254	8-25	0270833	2-102	0273058	4-5
		0256255	8-25	0271014	8-3, 8-25	0273067	1-30
		0256256	8-25	0271107	10-3	0273076	7-17, 7-35, 7-43
		0256257	8-25	0271250	2-85	0273078	7-17, 7-35, 7-43
		0256258	8-11	0271372	3-21	0273080	1-8, 1-11
		0256273	10-1	0271548	10-4	0273081	1-3, 1-7
		0256305	2-101	0271552	2-103, 4-13, 4-19	0273085	2-129
		0256306	2-101	0271893	10-3	0273145	10-6
		0256487	10-3	0271912	7-2, 10-2	0273146	10-6
		0256488	10-3	0271940	4-5, 4-14, 4-20	0273147	10-6
		0256569	8-25	0272041	6-16, 10-5	0273148	10-6
		0256570	8-25	0272070	3-4, 3-10	0273149	10-6
		0256571	8-25	0272130	3-8	0273150	1-3
		0256572	8-25	0272132	3-3	0273161	2-89
		0256573	8-25	0272134	3-8	0273194	8-25
		0256574	8-25	0272137	3-8	0273226	1-3, 1-7
		0256575	8-11	0272139	3-8	0273238	1-13
		0256622	8-25	0272254	10-7	0273239	1-14
		0256631	4-12	0272255	2-143, 7-21	0273240	1-14
		0256632	4-12	0272302	10-8	0273242	1-13
				0272312	10-8	0273243	1-14

SECTION 11 PARTS NUMBER INDEX

Part Number	Page	Part Number	Page	Part Number	Page	Part Number	Page
0273244	1-14	0274152	1-13, 1-14	0275926	7-7	0641406	2-28, 2-38, 2-59, 2-66, 2-68, 2-72, 2-74, 2-102, 2-110, 2-114, 2-120, 3-4, 3-16, 4-5, 8-4, 8-9, 8-13, 8-22, 8-27, 8-30
0273246	10-2	0274209	4-7	0275927	7-7		
0273353	10-7	0274210	2-103, 4-13, 4-19	0340041	2-28, 2-38, 2-50, 2-59, 2-68, 2-74		
0273356	1-11	0274219	10-1	0340046	2-28, 2-38, 2-59		
0273357	1-8, 1-11, 4-19	0274227	10-4	0362519	2-87		
0273362	1-30	0274233	10-4	0362528	2-101		
0273366	1-13, 1-29	0274243	10-3	0362609	2-101		
0273367	1-13, 1-29	0274297	2-46	0362610	2-101	0641407	2-28, 2-32, 2-38, 2-40, 2-46, 2-50, 2-59, 2-67, 2-73, 2-99, 7-19, 7-37
0273369	3-3	0274298	2-46	0362910	1-34		
0273379	1-3, 1-7	0274316	2-3	0363012	1-29		
0273394	1-8, 1-33	0274317	2-3	0363082	2-135		
0273398	1-33	0274318	2-3	0363097	2-135, 2-151	0641408	2-58, 2-59, 2-66, 2-72, 2-120, 2-145, 4-5, 8-3, 8-9, 8-12, 8-22, 8-26, 8-30
0273422	1-3, 1-33	0274319	2-3	0363201	2-151		
0273448	1-33	0274322	1-13, 1-14	0370026	5-3		
0273449	10-8	0274455	10-2	0400075	2-28, 2-38, 2-46, 2-58, 2-66, 2-72	0641410	2-46, 7-19, 7-37, 7-43
0273450	10-7	0274489	2-58	0440170	1-3		
0273486	4-7, 4-13, 4-20	0274490	2-58	0440171	1-4	0641412	2-86
0273490	4-7, 4-13, 4-20	0274491	2-28	0440207	2-14	0641414	2-59, 4-7, 4-11, 4-17, 4-31, 8-4, 8-13, 8-27
0273491	4-7, 4-13, 4-20, 7-2	0274492	2-30	0480120	2-126, 2-130		
0273507	2-135	0274493	2-30	0480121	2-126, 2-130	0641416	2-4, 2-66, 2-72, 3-10, 7-19, 7-37, 10-6
0273511	2-135	0274528	10-3	0480125	2-145		
0273536	8-11	0274661	10-5	0480126	2-145	0641418	4-5, 4-35
0273537	8-11	0274751	2-114	0480129	2-145	0641505	2-144, 2-151, 2-155
0273540	2-143, 7-21	0274755	2-114	0480130	2-151	0641506	2-93, 2-98, 2-111, 2-114, 2-117, 2-121, 2-122
0273541	2-143, 7-21	0274925	8-17	0480135	2-135		
0273542	4-35	0274927	4-13, 4-31	0480142	2-139, 2-155		
0273575	7-2, 10-2	0275039	2-139	0561076	3-15	0641507	2-28, 2-32, 2-38, 2-40, 2-48, 2-59
0273687	10-3	0275099	8-17	0561183	3-15	0641508	2-46, 2-58, 2-66, 2-72, 2-86, 2-126, 2-130, 2-135, 2-144
0273706	4-13, 4-19, 4-31	0275216	7-21, 7-38	0561184	3-14		
0273738	10-5	0275217	7-21, 7-38	0561185	3-15	0641510	2-40, 2-50, 2-139
0273741	10-5	0275218	7-21, 7-38	0561237	3-10	0641512	2-111, 2-114
0273824	4-13, 4-19, 4-31	0275219	7-21, 7-39	0561245	3-14	0641514	2-32, 2-58, 2-66, 2-72, 2-139
0273834	10-1	0275230	1-8, 1-11	0561508	3-16		
0273867	8-7	0275235	7-17, 7-35	0630458	3-4, 3-9, 3-21	0641516	1-33, 2-143, 2-151, 2-155, 4-35, 7-43
0273868	8-7	0275237	7-17, 7-35	0630462	4-31		
0273869	8-7	0275253	7-17, 7-35	0630464	4-11, 4-17	0641518	4-7
0273870	8-17	0275254	7-17, 7-35	0630485	2-120	0641522	3-22, 10-6
0273871	8-17	0275256	2-28	0630490	1-4	0641532	1-29
0273872	8-17	0275257	2-155, 7-21, 7-39	0630491	2-102	0641552	1-29
0273873	8-17	0275261	10-4	0630498	2-28, 2-47, 2-58, 2-66	0641604	3-4, 3-9
0273874	8-17	0275262	7-2, 10-2	0630507	2-110, 2-114, 2-120	0641606	2-31, 2-38, 2-50, 2-58, 2-61, 2-68, 2-74, 2-87, 2-115, 2-116, 3-9, 3-15
0273875	8-29	0275266	2-66	0630518	2-93, 2-97		
0273876	8-29	0275282	2-66	0630534	5-6, 5-11, 5-14		
0273877	8-29	0275285	2-114	0630535	5-6, 5-14, 5-21		
0273882	8-17	0275339	7-7, 7-27	0630536	5-9		
0273883	8-17	0275341	10-1	0630548	2-93, 2-97		
0273884	8-17	0275342	2-30	0630568	4-12, 4-18		
0273885	8-17	0275343	2-46	0641403	2-101, 2-102, 2-145, 3-15		
0273886	8-17	0275452	7-20, 7-38	0641404	2-130, 2-145, 3-22, 4-11, 4-17		
0273887	8-17	0275453	7-20, 7-38	0641405	2-135, 2-139, 2-145, 2-151, 2-155, 7-19, 7-37		
0273888	8-17	0275454	7-20, 7-38				
0273889	8-17	0275455	7-17, 7-35				
0273890	8-17	0275456	7-17, 7-35				
0274081	2-125	0275619	1-33				
0274082	2-129	0275659	7-17, 7-35				
0274086	2-129	0275831	7-7, 7-27				
0274087	2-125	0275860	1-13, 1-14				
0274090	2-129	0275924	7-7, 7-27				
0274093	8-7, 8-17, 8-29	0275925	7-7, 7-27				

SECTION 11 PARTS NUMBER INDEX

Part Number	Page	Part Number	Page	Part Number	Page	Part Number	Page
0641608	1-4, 1-8, 1-11, 1-33, 2-4, 2-28, 2-32, 2-38, 2-41, 2-48, 2-50, 2-58, 2-59, 2-66, 2-68, 2-72, 2-74, 2-86, 2- 110, 2-114, 2- 116, 2-121, 2- 151, 2-155, 3-4, 3-9, 3-15, 3-21	0642012	1-3, 1-4, 1-7, 1-8, 1- 11, 3-4, 3-9	0801373	3-13	0861788	2-93
0641609	2-28, 2-38, 2-50, 2- 68, 2-74, 2-107, 2-111	0642018	2-13	0801381	3-13	0861789	2-93
0641610	2-28, 2-32, 2-38, 2- 40, 2-46, 2-50, 2-59, 2-68, 2-74, 2-120, 2-126, 2- 130, 3-9, 4-5	0642612	2-103	0801383	3-13	0861880	7-20, 7-38
0641611	2-120, 2-135, 2- 151, 3-9	0642684	3-4, 3-10	0801386	3-13	0902143	2-110, 2-114
0641612	1-4, 2-59, 2-66, 2- 68, 2-72, 2-74, 2-89, 2-135, 2- 151	0651406	2-4	0801387	3-13	0902161	2-110, 2-114
0641613	2-4, 3-15	0681608	3-4, 3-10, 3-16	0801388	3-13	0902206	2-103
0641614	2-85, 3-9, 3-16	0681610	3-14	0801389	3-13	0902219	2-111, 2-114
0641616	2-120, 3-15	0681610	3-14	0801396	3-13	0902223	2-110, 2-114
0641618	1-29, 2-146, 3-9	0681810	1-13	0801467	3-13	0902351	2-110, 2-114
0641634	3-15	0681814	4-9	0801471	3-13	0902384	2-111, 2-114
0641638	3-15	0681822	4-9	0801472	3-13	0902416	2-110, 2-114
0641644	3-22	0681836	2-13	0801473	3-13	0902491	2-110, 2-114
0641648	3-22	0682014	2-111, 2-117, 2-122	0801474	3-13	0902539	2-61
0641708	2-151	0682016	1-13, 2-14	0801475	3-13	0902751	4-11, 4-17
0641710	2-139	0700408	7-19, 7-37, 7-43	0801480	3-13	0902888	2-145, 2-152, 2-155
0641718	2-135	0700616	2-41, 2-121, 2-122	0801498	3-14	0902910	2-34
0641772	2-126, 2-130	0700620	2-41	0801504	3-14	0902952	2-135
0641807	3-21	0700808	2-28, 2-38, 2-41, 2- 50	0801524	3-13	0903010	2-61
0641808	2-28, 2-32, 2-38, 2- 40, 2-46, 2-58, 2-66, 2-67, 2-72, 2-73, 2-145, 2- 155	0700810	2-53, 2-68, 2-74	0801525	3-13	0903056	2-89
0641810	2-135, 2-151, 2-155	0700815	2-145	0801615	3-14	0903079	2-59
0641811	2-89	0700816	2-126	0811606	3-15	0903220	2-34
0641812	2-32, 2-40, 2-49, 2- 59, 2-67, 2-73, 3-4, 3-10	0700819	2-60	0811607	3-14	0903484	7-19, 7-37
0641813	4-35	0700820	2-139, 2-155	0811608	3-15	0903510	2-66, 2-72
0641814	1-3, 1-7	0701010	2-28, 2-38, 2-41	0811614	3-16	0903611	7-19, 7-37
0641818	2-50, 2-86, 2-107, 2- 120	0701010	2-28, 2-38, 2-41	0860038	2-144, 2-151, 2- 155, 7-18, 7-35	0920119	2-13
0641820	2-28, 2-38, 2-89	0701012	2-28, 2-38, 2-52, 2- 59	0860520	8-3, 8-9, 8-12, 8-22, 8-26, 8-30	0940049	2-115, 2-120
0641824	3-14	0701014	2-59	0861389	2-93	0940070	2-28, 2-38, 2-50, 2- 61, 2-68, 2-74
0641826	2-50, 2-69, 2-75	0701015	2-28, 2-38, 2-52, 2- 135, 2-151	0861511	4-6, 4-11, 4-17	0940071	2-110, 2-114, 2-115
0641828	2-59, 2-68, 2-74	0701016	2-139, 2-151, 2-155	0861537	4-11, 4-12, 4-17, 4- 18	0940088	2-111, 2-115
0642010	1-34, 2-31, 2-40, 2- 46, 2-58, 2-66, 2-72	0701016	2-139, 2-151, 2-155	0861537	4-11, 4-12, 4-17, 4- 18	0940092	4-31, 4-35
		0701214	2-28	0861538	2-146, 2-151, 2-155	0940094	4-31, 4-35
		0701414	2-28, 2-38, 2-50	0861541	2-146, 2-153, 2-156	0940103	4-31
		0711025	2-50	0861542	2-144, 2-146, 2- 151, 2-153, 2- 155, 2-156, 7- 22, 7-39	0940131	4-35
		0711214	2-28, 2-38	0861567	2-144, 2-146, 7-22, 7-39	0940133	4-31
		0721003	1-4, 4-13, 4-20	0861572	2-146	0940134	4-31
		0721004	1-34, 2-146	0861599	2-131	0940159	4-35
		0721005	2-132, 4-31	0861602	2-131	0940177	4-31
		0721006	2-30, 2-111, 2-114, 2-126, 2-131, 4- 12, 4-17	0861604	7-43	0961845	4-5
		0721008	2-115, 2-116	0861606	7-43	0961893	5-5, 5-11, 5-13
		0741606	2-135, 2-151	0861607	2-131	0961894	5-5, 5-13
		0741607	1-33, 1-34, 3-4, 3-9	0861685	2-93	0961897	5-21
		0741612	3-15	0861686	2-93	0961898	5-9
		0741808	2-135, 2-151	0861687	2-93	0961947	3-9, 5-5, 5-13
		0760606	2-41, 2-59	0861688	2-93	0961950	1-3, 1-7, 3-4, 3-9, 3- 16, 5-9
		0760610	2-41	0861694	2-93	0961951	3-4, 3-9, 3-14, 3-16, 5-5, 5-13
		0760612	2-41	0861695	2-93	0961977	1-4, 1-8, 1-11, 5-17
		0761210	2-41, 2-126	0861696	2-93	0961986	2-28, 2-38, 2-50, 2- 59, 2-68, 2-74
		0771212	2-28, 2-38	0861697	2-93	0962006	3-4, 3-9
		0771415	2-146	0861698	2-93	0962051	2-107
		0801011	3-13	0861699	2-93	0962131	1-4, 1-8, 1-11
		0801014	3-14	0861731	7-18, 7-35	0962270	4-9
		0801036	3-13	0861781	7-18, 7-36	0962292	1-33
		0801038	3-14	0861782	7-18, 7-36	0962335	3-9
		0801065	3-14			0962336	5-11
		0801372	3-13			0962348	1-33

SECTION 11 PARTS NUMBER INDEX

Part Number	Page	Part Number	Page	Part Number	Page	Part Number	Page
0962356	5-19	1001099217	2-48	1001105872	2-69	1001110349	2-97
0962449	2-127, 2-131	1001099376	10-7	1001105993	2-28	1001110350	2-97
0962520	2-146, 2-151, 2-155	1001099387	1-8, 1-11	1001106338	2-28	1001110351	2-97
0962521	2-151, 2-155	1001099391	2-3, 2-4	1001106339	7-32	1001110352	2-97
0962563	2-126	1001099421	10-7	1001106340	7-32	1001110353	2-97
1001091179	2-50	1001099422	10-7	1001106355	4-17	1001110354	2-97
1001091303	2-3, 2-7	1001099832	3-21	1001106479	2-101	1001110355	2-97
1001091562	2-85	1001099839	3-21	1001106481	2-101	1001110356	2-97
1001091583	2-68	1001099868	2-129	1001106482	2-101	1001110357	2-97
1001091587	2-66, 2-73	1001099869	2-127, 2-131	1001106736	2-99, 7-29	1001110359	2-98, 7-3, 7-29,
1001091630	2-66	1001100027	7-2, 7-16	1001106974	2-89, 2-90		7-30
1001091631	2-66	1001100120	1-29	1001106975	2-89, 2-90	1001110361	2-98, 7-29, 7-30
1001091632	2-68	1001100151	10-6	1001107116	2-29, 2-38	1001110362	2-98, 7-29, 7-30
1001091634	2-67	1001100233	2-127, 2-131	1001107229	2-30	1001110363	7-29
1001091635	2-67	1001100234	2-127, 2-131	1001107236	2-30	1001110364	7-3, 7-29
1001091794	2-69, 2-74	1001100305	7-16	1001107237	2-30	1001110365	7-3, 7-29
1001091892	2-50, 2-69	1001100308	2-129	1001107498	2-89	1001110434	4-11, 4-17
1001091911	2-85	1001100313	2-29, 2-33	1001107499	2-89	1001110872	2-144, 2-152, 2-156, 7-21, 7-39
1001093274	4-7	1001100321	2-125, 2-129, 2-135, 2-139	1001107527	4-11	1001110873	2-143, 2-152, 2-156, 7-18, 7-21, 7-36, 7-39
1001093286	10-1	1001100341	7-21, 7-38	1001107677	4-18		
1001093382	2-28, 2-39, 2-47, 2-66, 2-73	1001100342	7-21, 7-38	1001107705	2-29, 2-39		
1001093389	10-2, 10-4	1001100343	7-18, 7-19, 7-21, 7-36, 7-38	1001107753	4-12, 4-18, 7-6, 7-26	1001110926	10-7
1001093943	2-52	1001100344	7-18, 7-19, 7-21, 7-36, 7-39	1001107926	4-19	1001110974	10-5
1001094043	3-3, 3-8	1001100345	7-20, 7-38	1001107927	4-19	1001110979	4-35
1001094102	2-49	1001100346	7-20, 7-38	1001108126	2-95, 7-10, 7-11	1001110980	4-35
1001094103	2-48	1001100347	7-20, 7-38	1001108256	4-13, 4-19, 4-31	1001110982	4-35
1001094104	2-46	1001100390	7-17, 7-35	1001108341	3-3	1001110990	10-4
1001094321	2-52	1001100391	7-18, 7-35	1001108342	3-8	1001110991	10-4
1001094475	10-5	1001100392	7-18, 7-35	1001108493	8-9, 8-22	1001111017	2-97
1001094521	2-52	1001100393	7-18, 7-35	1001108602	2-99, 7-29, 7-31	1001111346	4-5
1001094828	2-13	1001100394	7-18, 7-35	1001108701	6-16, 10-5	1001111514	2-85
1001095383	10-3	1001100395	7-18, 7-35	1001108763	4-19	1001112057	2-42
1001096070	7-20, 7-37	1001100396	7-18, 7-35	1001108764	4-19	1001112059	2-42
1001097150	7-20, 7-38	1001100399	7-18, 7-35	1001108790	4-6, 4-17	1001112067	2-42, 9-1
1001097242	1-4, 1-8, 1-11, 5-19	1001101061	2-24	1001108791	4-5, 4-20	1001112068	2-42
1001097348	1-15	1001101061	2-24	1001108792	4-5, 4-20	1001112069	2-42
1001097351	1-14	1001101323	2-115, 2-116	1001108923	8-7	1001112070	2-42
1001097357	1-14	1001101324	2-116	1001109064	2-42	1001112071	2-42, 7-32
1001097358	1-14	1001101391	2-115	1001109065	2-38	1001112072	2-42
1001097373	1-14	1001101392	2-116	1001109259	10-4	1001112073	2-42
1001097374	1-14	1001101422	10-7	1001109475	7-20, 7-37	1001112075	2-42
1001097387	1-14	1001101800	1-13, 1-14	1001109477	7-20, 7-38	1001112077	2-39, 2-41
1001097388	1-14	1001101801	1-14	1001109482	7-20, 7-37, 7-38	1001112467	5-9
1001097553	2-42	1001101802	1-13	1001109554	7-20, 7-37	1001112468	3-3, 3-8, 5-9
1001097554	2-34	1001102547	2-125	1001109595	2-39	1001112551	8-31
1001097960	2-116	1001102548	2-125	1001109692	10-4	1001112570	2-42
1001097961	2-116	1001102601	2-94, 2-98	1001109762	2-29	1001112586	2-147, 7-2, 7-40
1001098149	10-7	1001102602	2-94, 2-98	1001110133	10-4	1001112587	2-147, 7-40
1001098211	2-52, 2-53	1001102644	2-126	1001110166	2-120	1001112588	7-2, 7-34
1001098291	10-3	1001102647	10-7	1001110169	2-13, 2-21	1001112589	7-34
1001098475	2-49	1001102674	10-1	1001110201	2-40	1001112592	2-42
1001098476	2-49	1001102841	10-1	1001110202	2-40	1001112612	7-32
1001098503	1-29, 1-30	1001102842	10-1	1001110203	2-40	1001112743	7-2, 7-34
1001098916	2-52	1001103667	2-97, 9-2	1001110209	2-39	1001112763	2-41, 7-32
1001099196	1-8, 1-11	1001104308	2-51	1001110210	2-39	1001112849	2-42
1001099215	2-46	1001104985	10-1	1001110211	2-39	1001112941	8-17
1001099216	2-46	1001105321	1-3	1001110345	7-3	1001112990	10-1
		1001105833	2-30, 2-39	1001110348	2-97	1001112991	10-1

SECTION 11 PARTS NUMBER INDEX

Part Number	Page	Part Number	Page	Part Number	Page	Part Number	Page
1001112992	10-1	1001113913	6-9	1001116544	2-74	1001121340	2-147, 2-148, 2-157, 2-158
1001113047	2-120	1001113914	6-9	1001116545	2-75	1001121410	3-3
1001113386	3-8	1001113961	4-27	1001116562	2-120	1001121411	10-5
1001113407	3-8	1001114037	10-4	1001116595	2-42	1001121554	10-4
1001113423	3-8	1001114041	10-4	1001116839	8-17	1001121592	4-32
1001113429	3-8	1001114042	10-4	1001116844	8-23	1001121593	4-32
1001113465	3-10	1001114070	6-16	1001116845	8-18	1001121605	10-1
1001113560	1-8, 1-11	1001114072	6-12, 6-16	1001116846	8-18, 10-3	1001121639	1-8, 1-11
1001113575	1-8, 1-11	1001114073	6-12, 6-16	1001116847	8-18	1001121655	8-21
1001113597	1-7	1001114074	6-5, 6-16	1001116848	8-18	1001121656	8-20
1001113644	1-7	1001114075	6-9, 6-16	1001116849	8-18	1001121657	4-19
1001113653	1-8	1001114123	10-4	1001116850	8-19	1001121800	8-8
1001113674	1-8	1001114124	10-4	1001116851	8-19	1001121801	8-8
1001113789	6-9	1001114127	10-4	1001116852	8-19	1001121802	8-20
1001113793	6-6	1001114341	4-4	1001116853	8-20	1001121803	8-20
1001113794	6-5	1001114385	8-29	1001116854	8-21	1001121804	8-20
1001113797	6-13	1001114386	8-29	1001116863	8-23	1001121805	8-20
1001113798	6-12	1001114387	8-29	1001117172	4-6	1001121806	8-20
1001113801	6-13	1001114391	4-3	1001117174	4-6	1001121807	8-20
1001113805	6-5	1001114447	4-5, 4-20	1001117234	2-120	1001121808	8-20
1001113807	6-14	1001114449	4-6	1001117249	2-120	1001121809	8-20
1001113808	6-15	1001114595	2-74	1001117251	10-2	1001121810	8-20
1001113809	6-5	1001114632	2-74	1001117258	10-2	1001121811	8-20
1001113811	6-14	1001114643	2-73	1001117294	10-4	1001121813	8-8
1001113812	6-14	1001114644	2-72	1001117307	2-120	1001121814	8-8
1001113813	6-14	1001114645	2-73	1001117320	4-6	1001121815	8-21
1001113814	6-14	1001114646	2-72	1001117429	2-120	1001121816	8-21
1001113818	6-6	1001114668	3-21	1001117430	2-120	1001121817	8-21
1001113821	6-13	1001114816	3-21	1001117523	2-120	1001121818	8-21
1001113822	6-13	1001115098	3-10	1001117525	2-121	1001121819	8-21
1001113823	6-14, 6-15	1001115236	3-21	1001117543	2-121	1001121820	8-21
1001113826	6-15	1001115357	3-8	1001117598	2-121	1001121821	8-21
1001113832	6-12	1001115359	3-8	1001117612	2-121	1001121822	8-21
1001113833	6-13	1001115387	2-143, 7-39	1001117799	2-41, 2-49, 2-73, 2-80	1001121823	8-21
1001113834	6-13	1001115389	2-143, 7-39	1001117939	8-17	1001121824	8-21
1001113835	6-6	1001115393	2-143, 7-39	1001118133	2-86	1001121891	2-72
1001113836	6-6	1001115398	2-143, 7-39	1001118264	2-121	1001121918	8-20
1001113838	6-5	1001115400	2-143, 7-39	1001118416	4-11, 4-17, 4-27, 4-28, 9-1	1001122200	8-20
1001113854	6-6	1001115404	2-125	1001118417	4-11, 4-17, 4-24	1001122201	8-21
1001113855	6-15	1001115405	2-129	1001118550	2-121	1001122472	3-4
1001113862	6-5	1001115409	2-129	1001118599	2-145	1001122603	10-5
1001113864	6-5	1001115410	2-129	1001118715	2-121	1001123000	2-73
1001113866	6-5	1001115413	2-125	1001118716	2-121, 2-122	1001125097	2-121
1001113868	6-6	1001115414	2-125	1001118718	2-120	1001125229	10-5
1001113878	6-6	1001115918	10-2	1001118735	2-121	1001125230	10-5
1001113879	6-9	1001115930	2-73	1001118963	10-1	1001125631	3-13
1001113880	6-14	1001116159	10-6	1001118964	10-1	1001125824	10-4
1001113890	6-5	1001116240	2-31, 2-47, 7-14, 7-32	1001119283	2-121	1001126126	3-13
1001113893	6-13	1001116241	2-31, 2-47, 7-14	1001119562	4-12, 4-18	1001126145	3-14
1001113894	6-6	1001116251	10-2	1001119939	10-2	1001126154	3-14
1001113895	6-6	1001116252	10-2	1001119947	10-2	1001126286	2-110, 2-114, 10-5
1001113896	6-13	1001116290	2-121, 2-122	1001120508	2-121	1001126287	2-110, 2-114, 10-5
1001113898	6-6	1001116292	2-121, 2-122	1001120992	10-2	1001126509	3-13
1001113899	6-13	1001116341	2-85	1001121059	2-121	1001126596	3-13
1001113905	6-12	1001116349	10-1	1001121061	2-121	1001126597	3-13
1001113906	6-15	1001116419	10-1	1001121118	2-121		
1001113907	6-12	1001116420	10-1	1001121119	2-121		
1001113911	6-15	1001116456	2-120				
1001113912	6-14	1001116457	2-120				

SECTION 11 PARTS NUMBER INDEX

Part Number	Page	Part Number	Page	Part Number	Page	Part Number	Page
1001127087	10-1	1001143455	6-12	1001156825	2-67, 2-72	1320224	2-41, 2-145, 2-151
1001127195	3-4	1001143456	6-12	1060279	8-3, 8-9, 8-12, 8-22, 8-26, 8-30	1320235	3-4, 3-9
1001127196	3-4	1001143511	10-3	1060341	4-31, 7-16, 7-34	1320244	3-16
1001127285	3-13	1001143669	10-7	1060343	2-147, 2-153, 2-157, 7-22, 7-39	1320245	2-86
1001128479	4-4	1001144018	4-4	1060461	2-131, 7-17	1320247	3-22, 10-6
1001128598	4-4	1001144019	4-4	1060494	2-146, 2-153, 2-156, 7-17, 7-22, 7-35, 7-39	1320263	2-42
1001128985	10-3	1001144021	4-4	1060584	1-34	1320318	2-145
1001129555	4-11, 4-17, 4-23, 4-24, 9-1	1001144022	4-4	1060625	2-32, 2-40, 2-48	1320323	2-66, 2-72
1001131168	4-18	1001144023	4-3	1060626	2-30, 2-41, 2-48	1321138	2-60
1001131269	8-9, 8-22, 8-30	1001144024	4-3	1060633	7-23, 7-41	1321384	2-115, 2-116, 2-120
1001131992	7-3	1001144026	4-3	1060637	2-28, 2-38, 2-46, 2-58, 2-66, 2-68, 2-73	1340060	2-28, 2-38, 2-50, 2-60, 2-68, 2-74
1001133057	1-8, 1-11	1001144027	4-3	1060708	2-146, 2-153, 2-156, 7-22, 7-39	1340061	10-1
1001133061	1-8, 1-11	1001144629	4-4	1060896	7-8, 7-27	1380147	2-107
1001134103	10-1	1001145279	2-3	1060903	4-31	14922737	7-14
1001136698	10-8	1001145280	2-3	1060904	2-31, 2-50, 7-14, 7-16	1580011	2-29, 2-38, 2-61, 2-68, 2-74
1001137005	10-8	1001145281	2-3	1060908	7-20, 7-38	1580012	4-7, 10-2
1001137458	2-3, 2-5	1001145282	2-3	1060918	4-6, 7-7, 7-26	1580013	4-7, 10-2
1001137672	10-7	1001145405	4-3, 4-5	1060919	4-9	1600244	7-23, 7-41
1001137748	2-52, 2-53	1001145781	4-4, 4-5	1060977	7-22, 7-40	1600317	4-11, 4-17, 4-23
1001137749	2-49	1001145895	4-6, 4-17	1061026	7-9, 7-28	1600318	4-11, 4-17, 4-27
1001137750	2-48	1001145896	4-5, 4-20	1061027	7-9, 7-28	1600361	2-34
1001137752	2-49	1001145996	2-55	1120304	1-4	1600364	2-93
1001137753	2-49	1001146179	4-3	1120362	2-85	1600374	2-61, 9-1
1001137761	2-48	1001146180	4-3	1120484	2-85	1600375	4-11, 4-17, 9-2
1001137762	2-46	1001146181	4-4	1120487	2-85	1600411	2-93
1001137763	2-46	1001146182	4-4	1120552	1-15	1660234	2-53
1001137764	2-46	1001147699	10-5	1180345	3-21	1660239	2-29, 2-38
1001138035	6-16	1001148650	3-15	1180359	3-21	1660250	2-61
1001138430	4-4	1001148651	3-15	1220078	3-14	1660257	2-89, 2-90
1001138431	4-4	1001148652	3-15	1260017	2-14	1660258	2-89, 2-90
1001138432	4-4	1001148653	3-16	1283363	6-16	1660303	2-89, 2-90
1001138434	4-4	1001148678	2-55, 2-120	1300019	1-15	1660304	2-89, 2-90
1001138494	4-5	1001148902	10-4	1320012	2-60, 2-68, 2-74	1670769	3-10
1001138514	4-5	1001148903	10-4	1320016	2-28, 2-38, 2-50, 2-60, 2-68, 2-74	1670771	2-111, 2-114
1001138772	10-6	1001148904	10-4	1320022	2-32, 2-40, 2-46, 2-50, 2-52, 2-58, 2-60, 2-66, 2-68, 2-72, 2-74	1670779	2-111, 2-114
1001138773	10-6	1001148905	10-4	1320033	2-60	1670818	2-101
1001139099	10-4	1001148906	10-4	1320127	2-86	1670824	2-101
1001139132	10-2	1001148925	3-4	1320149	7-19, 7-37, 7-43	1670829	2-93, 2-97, 4-11, 4-17
1001139151	10-2	1001148971	10-5	1320176	2-32, 2-40, 2-51, 2-55	1670836	3-16
1001139373	4-4	1001149560	10-7	1320218	2-87	1671037	4-11, 4-17
1001139374	4-4	1001149730	10-6	1320220	2-86	1671055	3-4, 3-9
1001140315	10-6	1001149818	2-103, 7-34	1320222	2-59, 2-66, 2-72	1671092	2-147, 2-153, 2-157, 7-22, 7-40
1001140318	10-6	1001149955	2-102	1320223	2-30, 2-31, 2-38, 2-40, 2-41, 2-48, 2-50, 2-61, 2-68, 2-74	1671227	2-114, 2-115
1001140429	4-5	1001149994	2-103	1320224	2-67, 2-72	1671228	2-114, 2-115
1001140591	3-3, 5-5	1001150406	2-102	1320225	2-67, 2-72	1671229	2-116
1001140593	3-3, 5-13	1001150998	2-51	1320226	2-67, 2-72	1671230	2-116
1001140624	10-3	1001151066	10-3	1320227	2-67, 2-72	1671231	2-115
1001141470	10-3	1001151393	2-98	1320228	2-67, 2-72	1671232	2-115
1001141967	7-18, 7-36	1001152037	4-4	1320229	2-67, 2-72	1671233	2-114
1001141968	7-18, 7-19, 7-36	1001152486	7-37	1320230	2-67, 2-72	1671247	2-114, 2-115
1001141969	7-18, 7-19, 7-36	1001152965	10-7	1320231	2-67, 2-72	1671311	2-155
1001142504	10-6	1001153289	10-4	1320232	2-67, 2-72	1671312	2-114, 2-115
1001142505	10-6	1001153312	7-17, 7-35	1320233	2-67, 2-72	1683053	5-5, 5-11, 5-13
1001143076	10-3	1001154231	10-7	1320234	2-67, 2-72	1683055	5-5, 5-13
1001143256	10-7	1001154501	10-2	1320235	2-67, 2-72	1683057	5-21
1001143365	2-3	1001154592	7-19	1320236	2-67, 2-72		
1001143450	6-12	1001156819	2-66, 2-73	1320237	2-67, 2-72		
1001143451	6-12	1001156823	2-66, 2-72	1320238	2-67, 2-72		
		1001156824	2-66, 2-72	1320239	2-67, 2-72		

SECTION 11 PARTS NUMBER INDEX

Part Number	Page	Part Number	Page	Part Number	Page	Part Number	Page
1683067	5-9	1701529	8-3, 8-7, 8-12, 8-17, 8-26, 8-29	1702972	8-12	1703949	8-11, 8-19
1683208	1-4, 1-8, 1-11, 5-17			1702973	8-13	1703950	8-19
1683250	5-21	1701542	2-58, 2-66, 2-72, 8-4, 8-9, 8-14, 8-22, 8-30	1702974	8-13	1703951	8-11, 8-19
1683263	3-8, 5-13			1702975	8-12	1703953	8-7
1683266	3-3, 5-13	1701543	2-58, 2-66, 2-72, 8-4, 8-9, 8-14, 8-22	1703084	4-12	1703980	8-19
1683359	5-21			1703085	4-12	1703981	8-13, 8-19
1683415	3-3, 5-5	1701596	8-26	1703162	2-29, 2-38, 2-50, 2-60, 2-68, 2-74	1703982	8-13, 8-19
1683418	3-8, 5-5			1703183	8-26	1703983	8-19
1683609	3-8, 5-11	1701600	8-27	1703184	8-26	1703984	8-19
1683618	3-14, 5-21	1701602	8-26	1703185	8-26	1703992	8-26
1683619	5-21	1701643	1-15	1703186	8-26	1703996	8-13, 8-20
1683620	3-14, 5-21	1701645	8-4, 8-8	1703187	8-26	1704000	8-12, 8-18, 10-3
1683621	5-21	1701791	8-27	1703188	8-13	1704001	8-18, 10-3
1683666	3-3, 3-8, 5-9	1701798	8-26	1703190	8-26	1704006	8-12, 8-18
1683949	5-13	1701923	8-13	1703403	8-4, 8-8, 8-22, 8-27, 8-30	1704007	8-18
1683952	5-5	1701924	8-13			1704096	8-4, 8-8
1683954	5-9	1702137	1-15	1703453	8-11	1704098	8-20
1683955	5-9	1702153	8-3, 8-7	1703465	2-94	1704099	8-13, 8-20
1683962	5-13	1702300	8-3, 8-12, 8-26	1703466	2-94	1704100	8-13
1683963	5-5, 5-13	1702305	8-4, 8-8, 8-22, 8-27, 8-30	1703470	8-4, 8-7, 8-13, 8-19, 8-27, 8-30	1704101	8-20
1683972	5-13			1703471	8-7, 8-19, 8-27, 8-30	1704102	8-20
1683973	5-13	1702387	4-12	1703472	8-7, 8-13, 8-19, 8-27, 8-30	1704103	8-13, 8-20
1683976	5-5	1702552	8-12			1704104	8-8
1683977	5-5	1702565	4-11, 4-17	1703479	10-2	1704106	8-21
1684089	5-11	1702566	4-11, 4-17	1703518	8-27	1704107	8-13, 8-21
1684090	5-11	1702567	4-11, 4-17	1703533	6-15	1704108	8-13
1684280	1-3, 1-7, 5-3	1702573	8-12, 8-22	1703536	8-13	1704109	8-21
1684289	5-3	1702581	8-12	1703538	8-13	1704110	8-21
1684290	5-3	1702583	8-11	1703548	8-13	1704111	8-13, 8-21
1684413	3-8, 5-13	1702585	8-11	1703797	8-3, 8-7	1704112	8-13, 8-21
1684414	3-3, 5-13	1702590	2-136, 2-140	1703798	8-3	1704174	10-2
1684465	1-3, 1-7, 5-3	1702676	4-6, 4-14, 4-20	1703804	8-3, 8-7	1704175	10-2
1690697	8-26	1702688	8-4, 8-8	1703805	8-3, 8-7	1704260	4-11, 4-17
1691483	8-26	1702701	1-15	1703808	8-4, 8-9, 8-14, 8-23	1704271	8-9, 8-14, 8-22
1693289	8-26	1702720	8-9, 8-14, 8-22	1703811	8-7, 8-17, 8-29	1704272	1-33, 8-14
1693291	8-26	1702773	4-9, 8-3, 8-8, 8-12, 8-22, 8-25, 8-30	1703814	8-7, 8-17, 8-29	1704273	8-14
1693292	8-27			1703899	8-12	1704276	8-14
1693294	8-27	1702774	8-3, 8-8, 8-12, 8-22, 8-25, 8-30	1703923	8-18	1704277	8-3, 8-7, 8-12, 8-17, 8-25, 8-29
1700584	8-3, 8-9, 8-12, 8-22, 8-26, 8-30	1702784	8-3, 8-9, 8-12, 8-22	1703924	8-12, 8-18	1704412	8-7, 8-17, 8-29
1700818	8-4, 8-9, 8-14, 8-22	1702788	10-2	1703925	8-12, 8-18	1704578	1-33
1701499	8-3, 8-7, 8-12, 8-17, 8-26, 8-29	1702815	8-3, 8-8, 8-12, 8-20, 8-25, 8-30	1703926	8-18	1704885	8-4, 8-8, 8-14, 8-22, 8-27, 8-30
1701500	2-111, 2-117, 2-122, 8-3, 8-12, 8-26	1702816	8-3, 8-8, 8-12, 8-20, 8-25, 8-30	1703927	8-12, 8-18	1704972	2-32, 2-48
1701502	8-3, 8-7, 8-11, 8-17, 8-25, 8-29	1702817	8-3, 8-8, 8-12, 8-20, 8-25, 8-30	1703930	8-11	1704997	4-11
1701503	8-3, 8-7, 8-11, 8-17, 8-25, 8-29	1702861	8-3, 8-8, 8-12, 8-22, 8-25, 8-30	1703931	8-11	1705014	4-9
1701504	8-3, 8-11, 8-25	1702862	8-3, 8-12, 8-25	1703933	8-11	1705084	8-25, 8-29
1701505	2-32, 2-40, 2-46, 2-120, 8-4, 8-9, 8-14, 8-22, 8-27, 8-30	1702868	8-3, 8-7, 10-3	1703935	8-19	1705090	1-33
1701509	8-3, 8-7, 8-11, 8-17, 8-25, 8-29	1702938	4-13, 4-19, 4-31	1703936	8-11, 8-19	1705132	2-94, 4-11, 4-17
1701518	8-11, 8-25, 8-29	1702941	2-32, 2-41, 2-48	1703937	8-11, 8-19	1705170	2-103, 2-104
		1702942	2-32, 2-41, 2-48	1703938	8-19	1705232	8-26
		1702943	2-32, 2-40, 2-48	1703939	8-11, 8-19	1705250	8-26
		1702944	2-32, 2-41, 2-48	1703941	8-18	1705275	8-27
		1702966	8-4	1703942	8-18	1705325	2-127, 2-130, 2-131
		1702971	8-11	1703943	8-18	1705336	8-7
				1703944	8-18	1705344	8-19
				1703945	8-18	1705345	8-19
				1703947	8-19	1705347	8-18
				1703948	8-11, 8-19	1705348	8-18

SECTION 11 PARTS NUMBER INDEX

Part Number	Page	Part Number	Page	Part Number	Page	Part Number	Page
1705351	8-9	1707042	8-21	2180125	2-87	2220603	6-15
1705363	8-4	1707043	8-21	2180344	2-14	2220606	6-3, 6-5
1705364	1-15	1707044	8-21	2180348	2-32, 2-40, 2-46	2220609	6-14
1705374	2-147, 2-153, 2-157	1707045	8-21	2180380	6-15	2220618	6-13
1705375	2-147, 2-153, 2-157	1707046	8-21	2180387	2-87	2220628	6-12
1705376	2-146, 2-153, 2-156	1707047	8-21	2180388	2-87	2220646	2-80, 6-13
1705387	2-147, 2-153, 2-157	1707048	8-21	2180389	2-87	2220738	6-13
1705426	8-23	1707049	8-21	2180418	2-66, 2-72, 2-87	2220767	2-30
1705427	8-23	1707051	8-21	2180467	2-60	2220794	2-32
1705429	8-23	1707052	8-21	2180536	2-31	2220810	2-83, 6-12
1705430	8-23	1707053	8-21	2180724	6-15	2220861	6-5
1705460	2-147, 2-153, 2-157	1707054	8-21	2180877	2-69, 2-75	2220873	6-13, 6-15
1705461	2-147	1707055	8-20	2200222	2-17	2220883	1-25, 5-6, 5-9, 5-11
1705489	2-147	1707056	8-20	2200233	2-86	2220885	2-8, 5-5, 5-11, 5-14, 5-21
1705514	8-17	1707057	8-20	2220005	2-66, 2-72	2220886	1-25
1705714	2-131, 7-43	1707058	8-20	2220063	2-14	2220887	5-9
1705715	2-131, 7-43	1707059	8-20	2220064	2-66, 2-72	2220890	5-3
1705728	2-131	1707060	8-20	2220235	5-9	2220893	2-4, 6-15
1705753	2-94	1810068	2-93	2220237	6-5	2220921	6-13
1705820	1-33	1810069	2-93	2220250	2-31	2220947	2-80, 6-13
1705822	8-29	1810070	2-93	2220261	2-87	2220948	6-13
1705895	8-18	1810071	2-93	2220273	2-31	2220950	6-14
1705896	8-18	1810072	2-93	2220307	6-3	2220974	6-14
1705897	8-19	1810073	2-93	2220313	2-31, 2-40, 2-46, 2-58, 2-66	2220998	6-3, 6-6
1705898	8-19	1810074	2-93	2220362	6-3, 6-5	2221018	2-87
1705901	8-18	1810075	2-93	2220371	6-3, 6-5, 6-6, 6-9	2221019	2-87
1705902	8-19	1810076	2-93	2220372	6-13	2221024	2-87
1705903	8-18	1810077	2-93	2220373	6-3, 6-5, 6-13	2221042	6-13
1705905	8-23	1870132	7-3	2220375	6-5, 6-13	2221170	6-3
1705910	8-23	1870191	7-3	2220376	2-83, 6-12	2221176	2-31, 2-40, 2-46, 2-58, 2-66, 2-72
1705917	8-19	1870215	7-3	2220377	2-80, 6-3, 6-5, 6-12	2221197	2-87
1705921	8-29	2000194	2-29, 2-33	2220380	6-12	2221270	2-86
1705961	8-29	2000272	2-60, 2-61	2220407	6-13	2300004	2-40, 2-59, 2-67, 2-72
1705967	8-18, 10-3	2000274	2-52, 2-53	2220408	6-12	2300014	10-5
1705968	8-18, 10-3	2000279	2-49	2220409	6-15	2300016	10-5
1705969	8-18, 10-3	2000280	2-48	2220415	6-3, 6-5, 6-9, 6-12	2300019	10-5
1705978	8-30	2000281	2-48	2220418	2-87	2300027	10-5
1706059	2-32, 2-48	2000296	2-59	2220428	6-13	2300029	10-5
1706060	2-32, 2-48	2000297	2-59	2220429	6-13	2300039	10-5
1706061	2-32, 2-48	2000298	2-59	2220451	2-50, 6-3	2300041	2-30, 2-40
1706062	2-32, 2-48	2000339	2-52, 2-53	2220459	2-32	2400060	2-147, 2-153, 2-157, 7-22, 7-32, 7-40
1706063	2-32, 2-48	2000342	2-49	2220466	6-13	2400064	2-147, 2-153, 2-157, 7-22, 7-40, 9-2
1706064	2-32, 2-48	2000354	2-68	2220468	6-9, 6-14	2400065	7-10, 7-13, 7-29, 9-1
1706098	2-32, 2-48	2000365	2-49	2220472	6-14	2400066	7-10, 7-23, 7-29, 7-40
1706380	8-20	2000366	2-49	2220473	6-3, 6-5, 6-14	2400070	7-23, 7-40, 9-2
1706381	8-21	2000373	2-67	2220474	6-12	2410014	4-9
1706385	4-9	2000374	2-67	2220479	2-80, 6-15	2420172	2-94, 2-98
1706493	4-9	2000375	2-68	2220490	6-9	2420187	2-61
1706501	4-9	2000386	2-29, 2-33	2220497	6-14	2420203	2-126, 2-130, 2-131, 2-136, 2-139
1706712	2-94, 2-97	2060025	2-29, 2-38, 2-50, 2-60, 2-69, 2-74	2220498	6-13		
1706846	1-15	2080040	2-120, 4-3, 4-7	2220502	6-14		
1706914	2-94	2080044	3-9	2220504	6-3, 6-5, 6-9		
1706915	2-94	2080046	7-43	2220549	2-32		
1706931	8-9, 8-22	2120149	2-4, 9-1	2220574	6-12		
1706941	8-9, 8-23	2120164	2-4	2220578	2-80, 6-12		
1706957	1-33	2120209	2-3	2220582	6-3, 6-5, 6-12		
1706960	1-33	2120210	2-3, 9-1	2220593	6-12		
1707013	8-8	2160003	2-14	2220596	6-5, 6-12		
1707014	8-8						

SECTION 11 PARTS NUMBER INDEX

Part Number	Page	Part Number	Page	Part Number	Page	Part Number	Page
2460048	2-144, 2-151, 2-155	2752475	6-3, 6-6	2792613	6-12, 6-16	2902311	8-23
2460049	2-125, 2-129	2752478	6-3, 6-5	2792614	6-12, 6-16	2902312	8-23
2460050	2-144	2752502	6-13	2792615	6-16	2902322	8-23
2460051	2-135, 2-139	2752504	6-12	2792616	6-3, 6-16	2902329	8-31
2460052	2-135, 2-139	2752515	6-13	2792617	6-16	2902394	10-3
2460055	2-125, 2-129	2752574	6-5	2792630	6-17	2902443	7-10, 7-31
2460056	2-125, 2-129	2752588	6-14	2792659	6-16	2902531	2-67, 2-68, 2-73, 7-14, 7-32
2460057	2-125, 2-129	2752591	6-15	2792660	6-16	2902549	7-20, 7-37
2560136	4-11, 4-17	2752592	6-3, 6-5	2792749	6-16	2910045	8-14
2560173	4-7	2752596	6-14	2820031	2-127, 2-131, 2-136, 2-140, 2-146, 2-152, 2-156	2910073	10-6
2560187	2-121, 2-122	2752597	6-14	2820035	2-102, 4-7, 7-16, 7-34	2915014	2-93
2580024	2-30, 2-41, 2-48	2752598	6-14	2820078	2-111, 2-117, 2-122	2920028	4-13, 4-19
2580050	2-32, 2-40, 2-48	2752599	6-14	2820079	2-111	2920029	4-13, 4-19
2580055	2-30, 2-34, 2-41, 10-4	2752611	6-3, 6-6	2820080	2-115	2920110	2-103
2580062	2-52	2752632	6-3, 6-5, 6-13	2820119	2-111	2920113	2-103
2600209	2-110, 2-116	2752633	6-14, 6-15	2820153	2-116	2920129	4-18, 7-6, 7-10, 7-26, 7-29
2600233	2-110, 2-115	2752643	6-15	2820172	2-60	2920140	4-7, 7-23, 7-40
2600280	2-120	2752653	6-12	2820173	2-60	2920157	2-103, 4-7
2600281	4-3	2752654	6-12	2820176	2-116	2920161	2-102, 7-34
2680448	2-110	2752752	6-12	2820180	2-69	2920162	2-131
2680449	2-110	2752753	6-15	2820233	2-116	2920215	2-102
2680450	2-110	2752762	6-13	2820234	2-116	2940045	2-120
2720058	2-29, 2-32, 2-38, 2-40, 2-46, 2-58, 2-66, 2-69, 2-74	2752763	6-13	2820235	2-116	2940074	4-3, 9-1
2720144	2-86	2752783	6-15	2840016	2-107	2940088	2-110, 2-115, 2-116
2720271	2-32, 2-69, 2-75	2752910	6-3, 6-5	2860012	2-130	2940173	2-120
2720392	2-66, 2-72	2752928	6-3, 6-6	2860030	2-94, 2-98, 9-1	2940188	2-115
2720398	2-50	2752929	6-3, 6-6	2900770	2-3	3010125	1-33
2720434	2-29, 2-38, 2-50	2752977	6-5	2900792	5-5, 5-9, 5-11	3020016	2-40, 2-49, 2-50, 2-59
2720435	2-60	2752981	6-14	2900937	8-14, 8-27	3020021	2-53
2720436	2-60	2753048	6-14, 6-15	2900967	8-4	3020039	3-16
2720449	2-50	2753084	10-6	2900970	8-4	3020044	2-30, 2-40, 2-50
2720472	2-58	2753325	6-15	2900974	8-27	3121435	10-7
2720509	2-29, 2-38	2753397	6-3, 6-6	2901284	5-21	3121462	10-7
2720510	2-29	2753435	6-3	2901285	5-9	3160273	2-13, 2-19
2720514	2-60, 2-69	2753924	6-3, 6-5	2901301	5-6, 5-14	3160299	1-13, 1-21
2720515	2-30, 2-38	2753925	6-3, 6-5	2901303	5-6, 5-11, 5-14	3160300	1-13, 1-21
2720532	2-58	2753926	6-5	2901443	7-23, 7-41	3160349	1-13, 1-25
2720563	2-69, 2-74	2753928	6-6	2901691	10-4	3160350	1-13, 1-25
2720564	2-69, 2-74	2753929	6-3, 6-6	2901763	2-8	3200362	2-50, 2-60, 2-69, 2-74
2720566	2-66, 2-72	2753930	6-6	2901763	2-8	3200406	2-29, 2-38, 2-51
2720567	2-66, 2-72	2753931	6-6	2901886	3-16	3220103	2-51
2720567	2-66, 2-72	2753933	6-9	2902065	2-53	3220104	2-51
2720580	2-67, 2-72	2753957	6-14	2902085	2-131	3220113	2-29, 2-38
2720580	2-67, 2-72	2753967	6-3	2902203	10-8	3220134	2-61
2750532	2-31, 2-40, 2-46, 2-50, 2-60, 2-67, 2-69, 2-74	2753968	6-13	2902266	5-3	3220154	2-29
2751032	2-14	2753969	6-3	2902296	2-31, 2-47, 7-14, 7-18	3250585	4-7
2751396	6-14	2760105	2-94, 2-98, 4-11, 4-18	2902297	2-58, 7-14	3250872	1-33, 8-4, 8-8, 8-22, 8-27, 8-30
2751410	6-9	2780205	2-13, 2-17	2902303	8-9, 8-23, 8-31	3251102	2-127, 2-131, 2-136, 4-7
2751434	6-9	2780269	1-13, 1-17	2902304	8-7, 8-19, 8-30	3251242	8-25
2751474	6-13	2780271	1-4	2902305	8-7, 8-19, 8-30	3251243	2-130, 2-136, 2-140, 8-3, 8-7, 8-11, 8-17, 8-29
2751868	6-14	2792325	6-16	2902306	8-7, 8-19, 8-30		
2752331	6-6	2792326	6-16	2902307	8-7, 8-19, 8-30		
2752340	6-13	2792327	6-16	2902308	8-23		
2752341	6-3	2792605	6-16	2902309	8-23		
2752437	6-14	2792607	6-5, 6-16	2902310	8-23		
2752462	6-9	2792608	6-12, 6-16				
		2792612	6-9, 6-16				

SECTION 11 PARTS NUMBER INDEX

Part Number	Page	Part Number	Page	Part Number	Page	Part Number	Page
3251813	8-3, 8-7, 8-11, 8-19, 8-29	3311405	2-4, 2-29, 2-32, 2-38, 2-40, 2-47, 2-51, 2-58, 2-59, 2-60, 2-67, 2-69, 2-72, 2-73, 2-74, 2-86, 2-111, 2-114, 2-120, 2-136, 2-140, 2-145, 2-152, 2-156, 3-4, 3-9, 3-16, 3-22, 4-6, 4-7, 4-35, 7-19, 7-37, 8-3, 8-9, 8-12, 8-22, 8-26, 8-30, 10-6	3340844	3-14	3470003	4-12, 4-18
3252220	8-13	3311501	2-4, 2-111, 2-114, 2-120, 4-31	3340871	3-15, 3-16	3480188	5-5, 5-13
3252347	8-7, 8-13, 8-27	3311505	1-29, 2-29, 2-32, 2-39, 2-40, 2-47, 2-51, 2-58, 2-61, 2-67, 2-72, 2-86, 2-111, 2-114, 2-121, 2-122, 2-140, 2-143, 2-152, 2-156, 3-1, 3-13	3340877	2-121, 2-122	3480205	5-21
3252489	8-13			3340881	3-15	3480206	5-9
3252507	2-127, 2-131, 8-3, 8-7, 8-11, 8-17, 8-29			3340900	3-16	3480210	5-5, 5-11, 5-13
3252540	8-13			3340911	1-29	3480288	5-3
3252764	2-136, 2-143, 2-152, 2-156			3340966	1-33	3510822	4-3
3255828	8-29			3380429	2-31, 2-40, 2-47, 2-59, 2-67, 2-72	3510830	4-3
3271805	2-89, 4-9			3380434	4-6, 8-3, 8-12, 8-26	3510831	4-3
3272001	3-16			3380476	4-6	3510833	4-3
3272401	3-16			3380535	2-102	3510868	4-9
3272605	3-4, 3-10			3380652	10-4	3510877	4-9
3290405	2-67, 2-72, 7-19, 7-37, 7-43			3420156	4-12	3510884	4-9
3290505	2-67, 2-72, 2-127, 2-130			3420372	1-34	3520028	2-126, 2-130, 2-136, 2-139
3290507	2-41			3420447	1-34	3520030	2-120
3290601	2-121, 2-122			3421565	1-34, 2-14	3520033	2-110
3290606	4-5			3421627	2-14	3520034	3-10
3290801	2-29, 2-38			3422326	1-4, 1-8, 1-11	3520035	2-94
3300106	1-4, 1-13			3422417	3-15	3520054	2-51, 4-11, 4-18
3300151	4-5, 10-6			3422424	3-15	3520072	4-3, 4-4, 4-9
3300205	2-94, 2-98			3422446	2-31, 2-40, 2-47, 2-58, 2-67, 2-72	3520189	2-147, 7-22, 7-40
3300240	3-16			3422532	2-31, 2-40, 2-47, 2-59, 2-67, 2-73	3520198	4-4, 4-5
3300241	3-14, 3-16			3422557	3-3, 3-9	3534978	2-52
3300242	3-16			3422561	3-8	3536089	4-7
3300353	4-11, 4-18			3422562	3-3	3537318	2-13
3300364	2-120			3422563	3-3	3537416	2-51
3300396	2-146, 2-153, 2-156			3422564	3-3, 3-8	3537445	2-107
3300399	3-16			3422565	3-3	3537446	2-107
3300400	3-16			3422566	3-3, 3-8	3538758	3-21
3300408	2-94, 2-98			3422567	1-4, 1-8, 1-33, 3-3	3539219	2-94, 2-98
3300430	4-35			3422568	3-3, 3-8	3539563	3-4, 3-9
3300454	3-4			3422569	3-3	3539590	2-111, 2-117, 2-122
3310601	2-107, 2-147, 2-153, 2-157			3422574	3-3	3539622	3-15
3310801	7-43			3422574	3-9	3539872	2-29, 2-51, 2-60, 2-69, 2-74
3310805	2-87, 2-101			3422580	3-3	3539877	1-3, 1-7
3311001	2-111, 2-114, 2-115, 2-116, 2-132, 4-13, 4-20, 7-43			3422583	3-8	3539878	1-3, 1-7
3311005	2-101, 2-103, 2-126, 2-131, 2-136, 2-140, 2-146, 4-12, 4-18			3422592	1-3, 1-7	3539934	2-110
3311401	2-94, 3-16, 4-31			3422790	3-9	3539955	2-111, 2-117, 2-122
3311402	3-4, 3-9			3422813	1-33	3539957	2-31, 2-40, 2-47, 2-59, 2-67, 2-72
				3422841	1-34	3539971	2-51
				3422847	1-34	3571712	2-114
				3422848	1-33	3572009	1-34
				3422860	3-8	3572010	1-34
				3422861	3-8	3572011	1-34
				3422867	3-9	3572012	1-34
				3422900	1-4, 1-8, 1-11	3572280	2-60, 2-69, 2-74
				3422902	1-4, 1-8, 1-11	3572414	2-58
				3422903	1-4, 1-8, 1-11	3572423	2-86
				3423184	3-3, 3-8	3574091	4-31
				3430816	2-107	3574162	2-60
				3450404	2-107	3574206	2-29, 2-39
				3450806	3-22	3574207	2-29, 2-39
				3451010	1-4	3574208	2-29, 2-39
				3460398	2-60	3574225	2-136, 2-152
				3460399	2-116	3574229	2-152
				3460544	2-32, 2-40	3574262	2-152
				3460552	2-116		

SECTION 11 PARTS NUMBER INDEX

Part Number	Page	Part Number	Page	Part Number	Page	Part Number	Page
3574443	7-43	3760372	5-9	3931620	2-31, 2-41, 2-49, 2-59, 2-68, 2-73, 5-5, 5-13, 5-21	4061049	2-145
3574504	2-60	3790012	2-67, 2-72, 2-73, 2-103, 3-9, 4-7, 4-11, 4-13, 4-14, 4-18, 4-19, 4-20	3931632	2-146	4061058	1-30
3574684	2-126			3931840	1-3, 1-7	4070410	2-111, 2-115
3575359	4-31	3790045	1-13	3932032	5-9	4070411	2-111, 2-115
3576755	2-86	3790152	2-31, 2-41, 2-49, 2-59, 2-68	3932224	2-13	4070412	2-111, 2-115
3580134	2-126, 2-130	3820001	2-103, 2-104, 8-3, 8-9, 8-12, 8-22, 8-26, 8-30	3940604	1-34	4070585	2-131
3580158	2-129	3820020	4-4	3951608	3-15	4070863	3-15
3580241	3-14	3841013	3-22	3960343	1-4	4070864	3-15
3580243	3-14	3841143	1-4, 1-8, 1-11, 1-33, 2-31, 2-40, 2-47, 2-58, 2-67, 2-73, 3-3, 3-9, 3-15	3960389	2-32, 2-41, 2-49, 2-59, 2-68, 2-73, 2-110, 2-115, 2-120	4070895	3-15
3580248	3-14			3960407	2-51	4070896	3-14
3580249	3-14			3960422	2-143, 2-152, 2-156, 7-21, 7-39	4070897	3-15
3580276	2-126, 2-130	3841258	1-3, 1-4, 1-7, 1-8, 1-11, 3-3, 3-9	3960438	2-110, 2-115	4070898	3-15
3580312	2-136, 2-140, 2-152, 2-156	3841340	3-4, 3-9	3960453	2-110	4070929	3-15
3580313	2-136, 2-152	3841510	1-4, 1-8, 1-11	3960461	2-103	4070939	3-16
3580314	2-152, 2-156	3850019	5-13	3960462	2-110, 2-115, 2-116, 2-120	4070940	3-16
3580317	2-146	3850020	5-13	3960464	2-110, 2-115, 2-116	4070944	1-3, 1-7
3580318	2-146	3860050	3-22	3960468	2-29, 2-39, 2-51, 2-61, 2-69, 2-74	4070945	1-3, 1-7
3580319	2-146	3890005	3-14, 3-15	3960469	2-29, 2-39, 2-51, 2-61, 2-69, 2-74	4070976	3-15
3580320	2-146	3890006	3-14	3960470	2-110, 2-115	4070987	2-94, 2-98
3580321	2-146	3890007	3-14, 3-16	3960526	1-13	4070994	3-22
3580322	2-125	3890008	3-14	3960591	2-60	4070995	3-22
3580324	2-136, 2-140	3890009	3-15	3980007	2-30, 2-41, 2-48	4071004	3-15
3580325	2-136, 2-140	3890010	3-14	3990001	7-10	4071005	3-16
3580348	2-140, 2-156	3890011	3-14	3990010	7-11, 7-31, 9-1	4071007	3-16
3600242	2-31, 2-83	3890012	3-16	4010618	4-5	4071059	1-33
3600365	2-3, 2-5	3890040	4-9	4031608	2-126, 2-130	4071122	2-67, 2-73
3600377	2-61	3900054	4-9	4031709	2-41	4100026	7-9, 7-28
3600381	2-30, 2-78, 2-80	3900085	2-103	4031911	2-29, 2-39	4100033	3-4, 3-9
3600388	2-30, 2-78, 2-80	3900210	2-120, 2-121, 2-122	4032015	2-145	4100100	5-11
3600394	2-30, 2-41, 2-49, 2-59, 2-68, 2-73, 2-80	3900232	2-111, 2-114, 2-116	4060092	7-18, 7-36	4120035	7-6, 7-11, 7-26, 7-31
3600395	2-31, 2-41, 2-49, 2-59, 2-68, 2-73, 2-83	3900268	2-94, 2-98	4060700	2-143, 2-152, 2-156, 7-18, 7-21, 7-36	4130394	1-8, 1-11
3600396	2-30, 2-49, 2-59, 2-68, 2-80	3900272	2-40, 2-46, 2-72	4060802	2-126, 2-131, 2-136, 2-140, 2-143, 2-152, 2-156, 4-7	4130395	1-8, 1-11
3620033	2-51	3900316	2-120	4060803	3-22	4130396	1-4
3620040	2-60, 2-69, 2-74	3900322	2-136	4060805	2-31, 2-39, 2-51, 2-61, 2-69, 2-74, 3-16	4130397	1-4
3620047	2-29, 2-39	3900363	2-121, 2-122	4060807	1-29	4130399	1-8
3641533	2-147, 2-148, 2-153, 2-157, 2-158	3910606	2-143, 2-152, 2-156	4060808	1-29	4130400	1-4
3641569	4-31	3910608	2-107	4060906	2-94, 2-98	4160139	2-110, 2-115
3730120	7-13	3910610	2-147, 2-153, 2-157	4060907	2-102	4160143	2-111, 2-115
3730121	7-13	3910804	2-94, 2-98	4060918	2-4	4160149	3-16
3740049	2-94, 2-98, 7-16, 7-34, 9-1	3910808	2-87, 7-43	4060959	10-4	4160194	2-120
3740067	2-29, 2-39, 2-51, 2-60, 2-69, 2-74, 9-1	3911010	7-43	4061010	2-116	4220162	2-103
3740080	2-126, 2-130, 2-136, 2-140, 2-145, 2-152, 2-156, 9-2	3911016	7-43	4061043	2-143, 2-152, 2-156, 7-21	4220191	2-29, 2-39
3760170	1-34, 2-14	3911040	2-103			4240018	2-126, 2-136, 2-140, 2-145, 6-15
3760368	5-5, 5-11, 5-14	3930816	2-101			4240032	2-102, 2-103
3760369	5-5, 5-14, 5-21	3930828	2-101			4240033	3-4, 3-9
		3931028	2-101			4240099	4-7, 4-31
		3931408	2-101			4240113	2-85
		3931448	5-21			4280295	2-86
		3931508	5-21			4300111	2-152, 2-156
		3931516	5-5, 5-11, 5-13			4300157	2-145
						4340738	2-136, 2-152
						4341239	2-69, 2-75
						4341241	2-69, 2-75
						4360031	4-6
						4360057	4-31, 9-2
						4360070	2-147, 2-153, 2-157, 9-2

SECTION 11 PARTS NUMBER INDEX

Part Number	Page	Part Number	Page	Part Number	Page	Part Number	Page
4360232	4-13, 4-20, 7-22, 7-40, 9-2	4460205	7-17, 7-19, 7-35, 7-37	4460434	7-6, 7-11, 7-26, 7-31	4460799	7-13
4360294	2-131	4460224	7-16, 7-33	4460445	7-13, 7-16, 7-29, 7-34	4460800	7-13
4360328	2-94, 2-98, 3-9, 4-11, 4-14, 4-18, 4-20, 9-1	4460225	7-6, 7-22, 7-26, 7-39	4460457	7-12, 7-13, 7-30	4460865	7-8, 7-9, 7-27, 7-28
4360330	4-18, 9-1	4460226	7-6, 7-10, 7-13, 7-16, 7-22, 7-23, 7-26, 7-29, 7-30, 7-33, 7-34, 7-39, 7-40, 7-41	4460458	2-157, 7-12, 7-13, 7-15, 7-30, 7-34	4460866	7-6, 7-11, 7-26, 7-31
4360331	4-7, 4-13, 4-14, 4-19, 4-20, 9-1, 9-2	4460227	7-6, 7-7, 7-11, 7-22, 7-26, 7-31, 7-32, 7-33, 7-40	4460460	7-12, 7-30	4460871	4-23, 4-24, 4-27, 4-28, 7-6, 7-11, 7-13, 7-15, 7-26, 7-29, 7-30, 7-31, 7-32, 7-33
4360336	2-67, 2-73, 2-103, 2-126, 2-131, 2-136, 2-140, 2-143, 2-152, 2-156, 4-7, 4-13, 4-19, 9-2	4460233	7-17, 7-19, 7-37	4460465	2-147, 2-153, 2-157, 7-8, 7-12, 7-22, 7-27, 7-30, 7-32, 7-33, 7-34, 7-40	4460873	7-6, 7-11, 7-26, 7-31
4360387	4-11, 4-13, 4-18, 4-19, 4-31, 9-1	4460234	2-102, 2-103, 4-11, 4-18, 4-31	4460466	7-8, 7-9, 7-27, 7-28, 7-30, 7-32	4460874	2-94, 7-6, 7-9, 7-26, 7-32
4360407	4-11, 4-18, 9-1	4460259	7-16, 7-34	4460467	7-23, 7-41, 10-8	4460875	2-94, 7-6, 7-9, 7-26, 7-32
4360436	2-85, 9-1	4460260	7-16, 7-34	4460470	2-94, 2-98, 4-12, 4-18, 7-6, 7-9, 7-26, 7-29	4460876	7-11, 7-31
4360469	2-94, 2-98, 9-2	4460267	7-13, 7-16, 7-29, 7-33, 7-34	4460471	2-94, 2-98, 4-12, 4-18, 7-6, 7-9, 7-26, 7-29	4460878	7-11, 7-31
4360470	2-94, 2-98, 9-2	4460268	2-102, 7-12, 7-13, 7-16, 7-29, 7-30, 7-33, 7-34	4460473	7-8, 7-9, 7-27, 7-28	4460879	7-6, 7-26
4360475	2-94, 2-98, 4-11, 4-18, 9-1	4460297	7-16, 7-34	4460488	2-94, 2-98	4460880	7-12, 7-13, 7-29, 7-30
4360476	2-94, 2-98, 4-11, 4-18, 9-1	4460315	2-144	4460496	2-99, 7-29	4460887	7-6, 7-11, 7-26, 7-31
4360506	3-16, 9-2	4460320	7-13, 7-16, 7-22, 7-29, 7-33, 7-34, 7-40	4460497	2-99, 7-29	4460891	7-12, 7-30, 7-32, 7-33, 7-34
4360517	2-91, 7-33, 9-2	4460321	7-16, 7-23, 7-34, 7-41	4460499	2-8, 2-11, 7-16, 7-33, 7-34	4460892	7-10, 7-29
4360522	2-103, 4-13, 4-19, 9-2	4460326	7-13, 7-16, 7-29, 7-33	4460508	7-6, 7-11, 7-26, 7-31	4460894	7-10, 7-29, 7-32
4360540	2-131	4460339	7-13	4460509	7-8, 7-27	4460897	7-15, 7-33, 7-34
4360541	2-131	4460346	2-144, 2-152, 2-156, 7-18, 7-21, 7-36, 7-39	4460510	7-23, 7-41, 10-8	4460899	7-30
4360542	2-131	4460374	2-147, 2-153, 2-157, 7-22, 7-34, 7-40	4460526	2-94, 2-98, 7-9, 7-29	4460905	2-94, 4-12, 4-18, 7-6, 7-9, 7-11, 7-26, 7-31, 7-32
4360578	2-101, 9-2	4460375	2-147, 2-153, 2-157, 7-22, 7-40	4460536	7-11, 7-31	4460906	2-140, 7-16, 7-34
4400275	2-86	4460411	2-148, 2-153, 2-158	4460539	7-10, 7-12, 7-30	4460943	7-11, 7-31
4400400	2-85	4460412	2-148, 2-153, 2-158	4460579	7-12	4460944	7-12, 7-30
4400420	2-86	4460413	2-148, 2-153, 2-158	4460580	7-12	4460956	2-148, 2-153, 2-158, 7-20, 7-38
4400449	2-85, 2-86	4460414	2-148, 2-153, 2-158	4460582	7-12	4460957	2-148, 2-153, 2-158, 7-20, 7-38
4420037	4-7	4460415	2-148, 2-153, 2-158	4460607	2-148, 2-153, 2-158	4460958	2-143, 2-152, 2-156, 7-21, 7-39
4420038	2-86	4460418	7-6, 7-11, 7-26, 7-31	4460608	7-13, 7-31	4460961	7-16, 7-35
4420051	1-34, 8-26, 8-30	4460419	7-6, 7-11, 7-26, 7-31	4460633	7-20, 7-38	4460963	2-147, 2-153, 2-157, 7-22, 7-40
4420054	2-101	4460424	2-102, 7-12, 7-13, 7-16, 7-22, 7-29, 7-30, 7-34, 7-40	4460634	7-11, 7-31	4460967	2-147, 2-153, 2-157, 7-22, 7-40
4420060	2-102, 2-131	4460425	2-147, 2-153, 2-157, 4-31, 7-22, 7-23, 7-39, 7-40	4460635	7-11, 7-31	4460968	2-101, 2-127, 2-131, 7-19, 7-36, 7-43
4420068	4-31, 4-35	4460426	2-94, 2-98, 2-147, 2-153, 2-157, 4-7, 4-14, 4-20, 7-9, 7-22, 7-23, 7-29, 7-40	4460693	7-13, 7-31	4460978	7-13, 7-15
4460007	4-12, 4-18	4460428	4-12, 4-18, 7-6, 7-26	4460701	7-17	4460979	7-12, 7-13, 7-15, 7-30
4460027	2-126, 2-130, 2-135, 7-17, 7-34, 7-35			4460705	7-16, 7-34, 7-35	4460987	7-43
4460049	4-31			4460708	4-12, 4-18, 7-6, 7-10, 7-26, 7-29	4460988	7-43
4460051	2-145, 2-152, 2-156, 7-21, 7-39			4460713	7-12	4460990	7-43
4460071	2-145, 2-152, 2-156, 4-6, 7-7, 7-19, 7-21, 7-26, 7-36, 7-39			4460725	7-12	4460991	2-132
4460125	7-18, 7-36			4460726	7-12	4460995	7-12
4460134	7-17, 7-35			4460728	7-13	4460996	7-12
4460190	2-126, 2-130, 2-135			4460742	2-157, 7-13, 7-15, 7-22, 7-34, 7-40	4460997	7-43
				4460743	2-157, 7-15, 7-22, 7-34, 7-40	4460998	7-43
				4460761	7-7, 7-11, 7-26, 7-32	4460999	2-132
				4460792	7-13	4461001	2-148, 2-153, 2-158

SECTION 11 PARTS NUMBER INDEX

Part Number	Page	Part Number	Page	Part Number	Page	Part Number	Page
4461005	7-12, 7-30	4568721	2-29, 2-39	4711800	2-107, 2-145, 2-152, 2-156, 3-21, 4-9	4751600	1-29, 1-30, 2-30, 2-39, 2-41, 2-47, 2-51, 2-58, 2-60, 2-67, 2-69, 2-75, 2-85, 2-87, 2-89, 2-110, 2-115, 2-116, 2-120, 2-126, 2-130, 2-136, 2-152, 2-156, 3-16, 4-7
4461006	7-12, 7-30	4568734	2-136, 2-152	4711900	2-51	4751700	2-52
4461008	7-30	4568735	2-136, 2-140, 2-152, 2-156	4740036	1-34	4751800	2-30, 2-39, 2-47, 2-58, 2-67, 2-68, 2-69, 2-73, 2-75, 2-86, 2-89, 2-136, 2-152, 4-7, 4-9, 4-31
4461052	7-12, 7-30	4569083	2-60	4740076	2-111, 2-115	4751900	2-126
4461053	7-12, 7-30	4569171	2-52	4740111	1-4, 1-8, 1-11, 1-33	4752000	2-31, 2-40, 2-47, 2-58, 2-67, 2-73
4461054	7-12, 7-30	4569173	2-60	4740155	1-33	4760600	2-147, 2-153, 2-157
4461060	7-12, 7-30	4569177	2-29	4740158	1-3, 1-7, 3-4, 3-9	4760800	7-43
4461070	7-12, 7-30	4569342	2-69	4740171	2-110, 2-115, 2-120	4761000	1-4, 2-111, 2-115, 4-13, 4-20, 7-43
4461071	7-10, 7-31	4569371	2-34, 2-43	4740256	1-4, 1-8, 1-11	4761400	2-95, 2-98, 2-145
4461072	7-10, 7-31	4569385	2-67, 2-73	4740263	1-4	4761500	2-144, 2-152, 2-156
4461073	7-10, 7-31	4569394	2-69, 2-75	4740274	2-30, 2-39, 2-51, 2-60, 2-69, 2-75	4761600	2-152, 2-156
4461074	7-10, 7-31	4640113	1-15	4740283	1-4	4770600	2-107
4461095	7-12, 7-30	4640261	1-34	4740314	3-4, 3-9	4791400	2-39, 2-51, 2-69, 2-75, 2-145, 2-152
4461109	7-13, 7-31	4640476	5-3	4740362	2-103, 4-7	4811400	7-19, 7-37, 7-43
4461111	7-13, 7-31	4640509	5-5, 5-9, 5-11	4740393	1-13	4811600	2-42, 2-127, 2-130
4461113	7-13, 7-31	4640744	2-83, 6-12	4740397	2-126, 2-131, 2-136, 2-140, 4-7	4811700	2-41, 4-5
4461121	7-13, 7-30	4640750	2-30, 2-39	4740439	3-9	4811900	2-30, 2-39, 2-42, 2-140, 2-146, 2-156
4461122	7-13, 7-30	4640751	2-51	4740444	2-95, 2-98	4812000	2-42, 2-60
4461123	7-13, 7-30	4640858	5-3	4740463	1-9, 1-11	4812100	2-30, 2-39, 2-42, 2-127
4461124	7-13, 7-31	4640908	2-3	4740500	2-116	4812200	2-51
4461157	7-12, 7-30	4640921	2-3, 2-11	4740508	2-73	4831900	2-53, 2-60, 2-69, 2-75
4461161	7-13, 7-31	4640922	2-4, 2-11	4740546	2-103	4832000	2-30, 2-39, 2-60
4461196	7-19, 7-37	4640932	5-6	4750600	2-147, 2-153, 2-157	4844815	3-8
4461197	7-20, 7-38	4640952	2-69, 2-75	4750800	2-87, 7-43	4844816	3-8
4461198	7-18, 7-36	4640989	2-60	4751000	1-34, 2-103, 2-110, 2-115, 2-116, 2-126, 2-131, 2-136, 2-140, 2-146, 4-12, 4-18, 7-43	4844817	3-8
4461199	7-19, 7-37	4641022	2-86	4751400	2-30, 2-32, 2-39, 2-41, 2-47, 2-51, 2-58, 2-59, 2-60, 2-67, 2-68, 2-69, 2-73, 2-75, 2-95, 2-98, 2-101, 2-102, 2-111, 2-115, 2-120, 2-145, 3-4, 3-9, 4-7, 4-12, 4-18, 4-31, 8-3, 8-9, 8-12, 8-22, 8-26, 8-30	4844944	3-3, 3-8
4461200	7-20, 7-38	4641028	5-21	4751500	2-30, 2-32, 2-39, 2-40, 2-47, 2-60, 2-67, 2-73, 2-110, 2-115, 2-117, 2-120, 2-122, 2-126, 2-130, 2-140, 4-31, 4-35	4845356	2-111, 2-115
4461201	7-18, 7-36	4641096	2-3, 2-7	4751600	2-4, 2-47, 2-51, 2-60, 2-67, 2-73, 2-75, 2-95, 7-43, 10-6	4845393	2-85
4461202	7-19, 7-37	4641108	2-3, 2-4	4711400	2-29, 2-30, 2-39, 2-41, 2-121, 2-122, 2-143, 2-152, 2-156, 3-22, 4-12, 4-18, 7-43, 10-6	4845395	2-51
4461203	7-20, 7-38	4641284	6-5	4711500	1-29, 1-30	4845404	2-52, 2-60
4461204	7-18, 7-19, 7-36	4641307	6-3	4711600	2-4, 2-31, 2-39, 2-51, 2-60, 2-67, 2-73, 2-75, 2-146, 2-156, 3-15, 3-21	4845411	2-111, 2-116
4461205	7-19, 7-37	4641307	6-3	4711700	2-52, 2-136, 2-140, 2-152	4845671	3-21
4461206	7-20, 7-38	4641319	5-3			4845819	3-21
4461207	7-18, 7-19, 7-36	4641390	5-3			4846295	1-34
4461222	7-13, 7-31	4641409	1-29			4846296	1-34
4461244	7-18, 7-36	4641410	1-29, 1-30			4846319	3-14
4461245	7-18, 7-36	4641451	2-3, 2-7			4846391	3-21
4461246	7-18, 7-36	4711400	2-4, 2-47, 2-51, 2-60, 2-67, 2-73, 2-75, 2-95, 2-98, 2-101, 2-102, 2-111, 2-115, 2-120, 2-145, 3-4, 3-9, 4-7, 4-12, 4-18, 4-31, 8-3, 8-9, 8-12, 8-22, 8-26, 8-30			4846392	3-21
4461249	7-19, 7-37						
4461250	7-20, 7-38						
4520256	1-15						
4520258	1-14						
4520339	1-14						
4520340	1-14						
4520355	1-15						
4520356	1-15						
4520357	1-14						
4520672	1-15						
4520674	1-14						
4564281	2-61						
4566468	5-5, 5-13						
4566501	5-9						
4566605	2-60						
4566644	5-21						
4567073	2-29, 2-39						
4567879	2-60						
4568116	2-86						
4568119	2-86						
4568133	1-34						

SECTION 11 PARTS NUMBER INDEX

Part Number	Page	Part Number	Page	Part Number	Page	Part Number	Page
4846452	4-4	4922912	2-132	70000126	2-126, 2-130, 2-136, 2-139	70001868	2-54
4846561	4-7	4922925	2-146, 2-153, 2-156, 7-21, 7-39	70000127	2-126, 2-130, 2-135, 2-139	70001870	2-55
4846566	2-51	4922964	4-7, 7-23, 7-40	70000128	2-125, 2-129, 2-135, 2-139	70001872	2-55, 7-14, 7-33
4846573	3-5, 3-10	4922968	7-15	70000129	2-125, 2-129	70001931	7-15
4846673	4-3, 4-5, 4-31	4922970	7-16	70000164	2-74	70001941	2-102
4846790	2-30, 2-39	4923206	2-95, 2-98, 7-10, 7-13, 7-29	70000264	2-55	70001950	7-15
4846805	2-30, 2-39	4923212	2-95, 7-10, 7-12	70000342	3-19	70001951	7-15
4846806	2-61	4923213	2-95, 7-10, 7-11	70000345	2-55	70001953	2-144, 2-151, 2-155
4846814	1-3, 1-7	4923226	2-95, 7-10, 7-12	70000579	2-7	70001966	2-144, 2-151, 2-155
4846934	1-7	4923227	2-95, 7-10, 7-12	70000580	2-7	70001969	2-144
4846935	1-33	4923229	2-95, 7-10, 7-11	70000582	2-7, 9-1	70001970	2-144
4860243	1-15	4923379	2-51, 7-16, 7-33	70000583	2-7	70001971	2-144
4891500	2-136	4923420	2-157, 7-22, 7-40	70000583	2-7	70001972	2-144
4891600	2-31, 2-41, 2-49, 2-51, 2-59, 2-68, 2-73, 2-107, 2-136, 2-140, 2-153, 2-156, 3-5, 3-10, 3-15	4923445	7-16, 7-34	70000619	2-146, 2-151, 2-155	70001973	2-145, 2-152, 2-156
4891800	1-3, 1-7, 1-13, 2-4, 2-13, 2-107, 2-145, 3-5, 3-10, 3-15, 4-35	4923462	7-8, 7-27	70000781	1-29	70001974	2-144, 2-152, 2-156
4892000	2-13, 2-14, 2-111, 2-117, 2-122, 2-136	4923492	2-95, 7-10, 7-12	70000782	1-18, 2-24	70001976	2-7, 2-11
4892600	3-5, 3-10	4923509	7-8, 7-27	70000793	2-53	70002005	3-21, 9-2
4920385	2-60, 2-69, 2-75	4923510	7-8, 7-28	70000794	1-25	70002006	3-21
4921827	7-17, 7-35	4923511	7-9, 7-28	70000795	1-25	70002007	3-21, 9-2
4921927	2-4, 7-16, 7-33	4923576	2-95, 7-10, 7-12	70000863	2-144, 2-151, 2-155	70002063	1-29, 1-30
4921928	2-4, 7-16, 7-33	4923577	2-95, 7-10, 7-11	70000912	2-54	70002064	1-30
4921954	7-17	4923591	7-10	70000913	2-54	70002065	2-24
4921956	7-17	4923630	7-8, 7-28	70000914	2-54	70002066	2-24
4922466	7-7	4923653	7-7	70000915	2-54	70002067	2-24
4922467	7-8, 7-27	4923654	7-8	70000916	2-54	70002068	2-24
4922468	7-7, 7-27	4923655	7-9	70000917	2-54	70002069	2-25
4922636	7-10, 7-29	4923656	7-8	70000918	2-54	70002070	2-24
4922637	7-10, 7-29	4923657	7-7, 7-27	70000919	2-54	70002071	2-24
4922639	4-12, 7-6	4923658	7-8, 7-28	70000934	2-3	70002072	2-24
4922641	2-147, 2-153, 2-157, 7-16, 7-22, 7-34, 7-40	4923659	7-9, 7-28	70001017	2-29, 2-30, 2-38, 2-51	70002073	2-24
4922643	7-16, 7-34	4923660	7-8, 7-28	70001051	2-34, 2-42	70002074	2-25
4922666	4-12, 4-18, 7-6, 7-26	4933217	7-2	70001100	2-144, 2-151, 2-155	70002075	2-25
4922737	2-30, 2-31	4933218	7-3	70001103	2-85	70002088	2-144, 2-151, 2-155
4922757	2-147, 7-22	4933219	7-2	70001119	1-17	7000209	2-17
4922764	7-22, 7-40	4933221	7-2	70001120	2-33, 2-42	7000213	2-25
4922790	7-8	4933224	2-147, 7-2, 7-22	70001126	2-55	7000214	2-17
4922791	7-8, 7-28	4933283	2-153, 7-2, 7-22	70001248	2-90, 2-91	7000216	1-17
4922792	7-8, 7-28	4933284	7-2	70001249	2-91	7000217	2-17, 2-24
4922884	7-8, 7-28	4933287	7-2	70001384	2-144, 2-151, 2-155	70002200	2-54
4922885	7-8	4933300	7-2, 7-16	70001385	2-144, 2-151, 2-155	70002208	2-21
4922886	7-8, 7-28	4933313	7-2, 7-22, 7-40	70001423	2-53	70002209	2-5
4922887	7-8	4933318	7-3, 7-10	70001435	2-54	70002212	2-91
4922888	4-7, 7-8, 7-23, 7-28, 7-40	4933327	7-3, 7-10	70001498	2-54	70002234	2-54
4922889	7-8, 7-28	4933328	7-3, 7-10	70001690	2-61	70002243	2-21
4922905	2-153, 7-22	4933349	2-157, 7-2, 7-22, 7-40	70001696	2-144, 2-152, 2-155	70002255	2-144, 2-152, 2-156
4922909	7-43	4933350	7-2, 7-16, 7-34	70001697	3-19	7000228	2-17, 2-24
		4933355	7-3, 7-10	70001742	2-34, 2-42	7000229	2-17, 2-24
		4933365	7-3, 7-10	70001847	2-55	70002290	2-144, 2-151, 2-155
		4933366	7-3, 7-10	70001850	2-53	70002297	2-144, 2-151, 2-155
		4933383	7-3, 7-10	70001866	2-54	7000230	2-17, 2-24
		70000122	2-125, 2-129			70002307	2-61
		70000123	2-125, 2-129, 2-135, 2-139				
		70000124	2-126, 2-130, 2-135, 2-139				
		70000125	2-126, 2-130, 2-135, 2-139				

SECTION 11 PARTS NUMBER INDEX

Part Number	Page	Part Number	Page	Part Number	Page	Part Number	Page
70002462-17, 2-24	70002844 2-33, 2-42	70019092-17, 2-24	7007417 2-78
70002460	...2-144, 2-152, 2-155	70002845 2-34, 2-42	70019112-17, 2-24	7007418 2-78
7000248 2-24	70002846 2-34, 2-42	7001912 2-24	7007419 2-78
7000253 2-17, 2-24	70002847 2-34, 2-42	7001913 1-17	7007423 2-78
7000255 2-17, 2-24	70002848 2-34, 2-42	7001928 2-17	7007425 2-78
7000256 2-17	70002849 2-34, 2-42	7001931 2-17, 2-24	7007435 1-21, 2-78
70002567 2-62	70002850 2-34, 2-42	7001985 2-17, 2-24	7007437 1-21, 1-25, 2-78
7000257 2-17, 2-24	70002851 2-34, 2-43	7001987 2-17	7007438 1-21, 1-25, 2-78
7000258 2-17	70002852 2-33, 2-43	7001988 2-17	7007439 1-21, 1-25, 2-78
70002627 7-15	70002895 2-74, 9-1	70020808 7-33	7007441 2-78
7000263 2-17, 2-24	70002902 4-6	70020809 7-33	7007442 2-78
7000269 2-17	70002903 4-6	7002821	... 7-23, 7-41, 10-8	7007444 2-78
7000270 2-17	70002904 4-6	7002822 10-8	7007446 1-21, 1-25, 2-78
70002705 2-29, 2-38	70002905 4-6	7002823	... 7-23, 7-41, 10-8	7007452 2-79
70002706 2-29, 2-38	70002906 4-24	7002826 10-8	7007453 2-79
70002715 2-85	70003001 2-55	7002828 7-23, 7-41	7007454 2-79
70002716 2-85	70003002 2-55	7002840 10-8	7007457 2-79
70002724 4-27	70003003 2-55	7003657	... 2-126, 2-130, 2-135, 2-139	7007463 2-79
70002725 4-28	70003408 1-30	7003928 4-23, 4-24	7007464 2-79
70002726 4-28	70003454 2-91	7003933 4-27	7007465 2-79
70002727 4-28	70003476 2-54	7003935 4-27	7007466 2-79
70002728 4-28	70003478 2-53	7003941 4-27, 4-28	7007470 2-78
70002729 4-28	70003483 4-6	7003946 4-27	7007472 2-79
70002730 4-24	70003623 2-55	7003953 4-23	7007474 2-79
70002731 4-24	70003631	... 2-144, 2-151, 2-155	7003969 4-27	7007475 2-80
70002732 4-24	70003708 2-144	7003972 4-28	7007476 2-80
70002733 4-24	70003709 2-144	7003973 4-28	7007477 2-80
70002734 4-24	70003784 4-11, 4-18	7003976 4-23	7007478 2-80
70002735 4-24	70003995 2-5	7003977 4-23	7007484 2-79
70002745 5-19	70003996 2-5	7003977 4-23	7007485 2-79
70002752 5-19	70003997 2-5	7003980 4-28	7007487 2-79
70002753 5-19	70003998 2-5	7003982 4-28	7007488 2-79
70002754 5-19	70003999 2-5	7003983 4-28	7007489 2-83
70002755 5-19	70004000 2-5	7003986 4-27	7007489 2-83
70002756 5-19	70004149 2-85	7003989 4-28	7007494 2-79
70002757 5-19	70004149	... 2-144, 2-151, 2-152, 2-155, 2-156	7003992 4-23, 4-27	7007496 2-79
70002761 2-34, 2-42	70004169	... 2-144, 2-151, 2-152, 2-155, 2-156	7003993 4-23, 4-27	7007497 2-79, 7-15, 7-33
70002762 2-34, 2-42	70004170 2-144	7003994 4-27	7007498 2-79, 7-15, 7-33
70002763 2-34, 2-43	70004171	... 2-144, 2-151, 2-155	7004035 2-21, 2-25	7007633 2-17, 2-24
70002764 2-34, 2-42	70004182 2-29, 2-39	7004043 2-21, 2-25	7007933 2-13
70002765 2-33, 2-42	70004184 2-85	7004044 2-21, 2-25	7007990 2-13
70002766 2-34	70004316 7-32	7004248 2-5	7010103 2-83
70002767 2-34	70004317 7-32	7004275 10-8	7010104 2-83
7000281 1-18, 2-25	70004318 7-32	7004276 10-8	7010105 2-83
70002818 2-148, 2-158	70004319 7-32	7004290 2-5	7010116 2-78, 2-79, 2-80
70002819 2-148, 2-158	7000625 4-6	7005881 2-19	7010121 2-79
70002820 2-148, 2-158	7000663 2-54	7005882 2-19	7010122 2-79
70002821 2-148, 2-158	7000897 2-61	7005889 2-19	7010474 2-17, 2-24
70002822 2-148, 2-158	7001433 2-80	7005890 2-19	7010488 2-17
70002823 2-148, 2-158	7001498 2-80	7005891 2-19	7010492 2-17, 2-24
70002824 2-148, 2-158	7001625 5-17	7005892 2-19	7010494 2-17
70002825 2-148, 2-158	7001626 5-17	7005893 2-19	7010542 2-8
70002826 2-148, 2-158	7001627 5-17	7006138 3-21	7010543 2-4, 2-8
70002833 2-34, 2-42	7001629 5-17	7006143 3-21	7010699 2-126, 2-130, 2-136, 2-139
70002834 2-34, 2-42	7001630 5-17	7007207 2-79	7011043 2-5
70002835 2-34, 2-42	7001633 5-17	7007208 2-79	7011044 2-5
70002841 2-34			7007412 2-80	7011062 2-5
70002843 2-33, 2-42			7007413 2-78	7011063 2-5
				7007414 2-78	7011064 2-5

SECTION 11 PARTS NUMBER INDEX

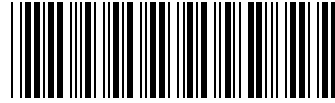
Part Number	Page	Part Number	Page	Part Number	Page	Part Number	Page
7011065	2-5	7016654	10-8	7019160	4-27	7021200	2-78
7011066	2-5	7016655	10-8	7019161	4-27	7021201	2-80
7011067	2-5	7016822	2-67, 2-68, 2-73, 7-14, 7-32	7019162	4-27, 4-28	7021202	2-78
7011112	5-6	7017022	1-18	7019164	4-28	7021203	2-78
7011328	2-3	7017023	2-25	7019165	4-28	7021206	2-80
7012513	2-125, 2-129, 2-135, 2-139	7017027	1-17	7019166	4-28	7021207	2-79
7012514	2-125, 2-130, 2-135, 2-139	7017028	2-25	7019167	4-28	7021210	2-79
7012518	2-5, 2-7	7017070	2-17, 2-24	7019168	4-27	7021212	2-79
7012558	2-125, 2-129, 2-135, 2-139	7017072	1-17, 2-24, 2-25	7019171	4-23	7021214	2-79
7012664	2-28, 2-38, 2-50, 2-60, 2-68, 2-74, 9-1	7017080	2-24	7019174	4-23	7021217	2-80
7012679	2-61	7017082	2-25	7019177	4-23	7021218	2-79
7012766	2-7	7017085	2-25	7019194	4-28	7021219	2-79
7012768	2-7	7017089	2-17	7019196	4-28	7021220	2-79
7012769	2-7	7017093	1-17	7019197	4-23	7021221	2-79
7012770	2-7, 2-11	7017095	1-17	7019656	2-69, 2-74	7021222	2-79
7012772	2-7, 2-8, 2-11, 9-1	7017158	3-19	7019658	2-85	7021223	2-78
7012773	2-7, 2-8, 2-11	7017159	3-19	7019679	2-125, 2-129	7021232	2-78, 2-79, 2-80
7012774	2-8, 2-11	7017162	3-19	7019680	2-126, 2-130, 2-135, 2-139	7021249	1-21, 1-25
7012775	2-8	7017163	3-19	7019925	2-61	7021256	2-78
7012776	2-11	7017164	3-19	7019976	2-61	7021275	1-21, 1-25
7012777	2-11	7017183	3-19	7019977	2-61	7021310	2-8
7012912	2-7, 2-8	7017193	3-19	7019993	2-61	7021625	1-29, 1-30
7012914	2-7	7017195	3-19	7019994	2-61	7021868	2-61, 9-1
7012918	2-7	7017199	3-19	7019996	2-61	7022133	2-61
7012941	2-4	7017406	1-29	7020020	2-3, 9-1	7022134	2-61
7012943	2-5, 9-1	7017410	2-7	7020021	2-4, 9-1	7022135	2-61
7012944	2-5, 2-7, 9-1	7017420	2-11	7020108	2-125, 2-130, 2-135, 2-139	7022139	2-61
7012953	2-7, 2-11	7017422	2-11	7020109	2-125, 2-130, 2-135, 2-139	7022140	2-61
7012965	2-11	7017464	2-7	7020110	2-125, 2-130, 2-135, 2-139	7022143	2-61
7012967	2-7	7017496	5-3	7020111	2-125, 2-130, 2-135, 2-139	7022147	2-61
7012987	2-83	7018612	2-13	7020175	4-11, 4-18	7022150	2-62
7012988	2-83	7018912	2-7, 2-8, 2-11	7020176	4-11, 4-18	7022155	2-62
7012989	2-7	7018941	2-8	7020190	2-125, 2-130, 2-135, 2-139	7022173	2-61
7012995	2-5	7018942	2-11	7020192	2-126, 2-130, 2-136, 2-139	7022180	2-61
7012998	2-7, 2-8, 2-11	7018945	2-11	7020193	7-17, 7-34	7022302	1-21, 1-25
7013189	2-90	7018946	2-11	7020194	2-126, 2-130, 2-136, 2-139	7022311	1-21, 1-25
7014501	2-61	7018947	2-11	7020246	2-93, 2-97	7022313	1-25
7016314	2-85	7018948	2-11	7020408	2-54	7022314	1-21, 1-25
7016319	2-102	7018991	2-7, 9-1	7020410	2-54	7022372	1-21, 1-25
7016322	2-107	7019103	4-27	7020411	2-54	7022397	1-29, 1-30
7016328	2-54, 9-1	7019110	4-27	7020447	2-54	7022399	1-29, 1-30
7016331	2-53, 9-1	7019111	4-23, 4-27	7020449	2-54	7022808	4-23, 4-24
7016372	2-102	7019112	4-27	7020459	2-55	7022812	4-27, 4-28
7016374	2-107	7019114	4-27	7020460	2-55	7022814	4-23
7016380	2-102	7019115	4-27	7020464	2-54	7022815	4-23, 4-24
7016399	4-7	7019122	4-23	7020465	2-53	7022816	4-23
7016422	2-19	7019123	4-23	7020468	2-53	7022817	4-23
7016423	2-19	7019141	4-23	7020471	2-54	7022818	4-23
7016424	2-19	7019142	4-23	7020479	2-54	7022819	4-23, 4-24, 7-15, 7-26
7016425	2-19	7019143	4-23	7020484	2-53		
7016426	2-19	7019144	4-23	7020487	2-53		
7016427	2-19	7019145	4-23				
7016530	3-21	7019147	4-23				
7016652	10-8	7019149	4-23				
		7019150	4-23				
		7019151	4-27				
		7019154	4-27				
		7019155	4-27				

SECTION 11 PARTS NUMBER INDEX

Part Number	Page	Part Number	Page	Part Number	Page	Part Number	Page
7022822	4-27	7024561	2-144, 2-151, 2-155	7026330	2-5	7026845	2-34
7022823	4-27	7024563	2-146	7026503	2-90	7026882	2-34
7022824	4-27	7024565	2-54	7026504	2-90	7026887	2-34
7022825	4-27, 4-28, 7-15, 7-33	7024579	2-55	7026505	2-91	7026888	2-33
7023366	2-110	7024598	2-107	7026506	2-91	7027000	2-31, 2-47, 7-14
7023661	2-61	7024704	2-25	7026507	2-91	7027001	2-31, 2-47, 7-14
7023679	7-15	7024721	1-18	7026508	2-91	7027002	2-31, 2-41, 2-47, 2-58, 7-14, 7-32
7023681	2-61	7024722	1-17	7026509	2-91	7027003	2-31, 2-47, 2-58, 2-67, 2-68, 2-73, 7-14, 7-32
7023682	2-61	7024723	1-18	7026510	2-91	7027004	2-31, 2-47, 7-14, 7-32
7023683	2-61	7024724	1-17	7026511	2-90	7027005	2-58, 7-14
7023698	2-61	7024725	1-17	7026512	2-91	7027006	2-58, 7-14
7023699	2-61	7024726	1-17	7026597	2-144, 2-152, 2-156	7027007	2-58, 7-14
7023910	1-21, 1-25	7024727	1-17	7026607	2-55	7027015	2-67, 2-68, 2-73, 7-14, 7-32
7023917	1-30	7024728	1-17	7026608	2-54, 9-1	7027016	2-67, 2-68, 2-73
7023933	1-29, 1-30	7024729	1-17	7026626	2-144, 2-152, 2-156	7027017	2-67, 2-68, 2-73, 7-14
7023935	1-29, 1-30	7024730	1-17	7026631	2-53	7027028	2-41, 7-32
7023936	1-29, 1-30	7024731	1-17	7026800	2-33, 2-43	7027029	2-41, 7-32
7023977	2-79	7024732	1-17	7026801	2-34, 2-42	7027033	2-41, 7-32
7023979	2-79	7024733	1-17	7026802	2-33, 2-43	7027236	2-55
7024014	2-8	7024734	1-17	7026803	2-33, 2-43	7027238	2-54
7024015	2-8	7024735	1-17	7026804	2-33, 2-43	7027239	2-55
7024100	2-17, 2-25	7024736	1-17	7026805	2-33, 2-43	7027246	2-53
7024124	1-17	7024737	1-18	7026806	2-33, 2-43	7027276	2-55
7024125	1-17	7024738	1-17	7026807	2-33, 2-43	7027400	2-61
7024127	1-17	7024739	1-17	7026808	2-33, 2-43	7027401	2-61
7024129	1-17	7024740	1-17	7026809	2-33, 2-43	7027402	2-61
7024134	1-18	7024741	1-17	7026810	2-33, 2-43	7027403	2-61, 7-15
7024379	2-21, 2-25	7024742	1-17	7026811	2-33, 2-43, 9-1	7027404	2-61
7024380	2-21, 2-25	7024743	1-18	7026812	2-33, 2-43	7027405	2-61
7024381	2-21, 2-25	7024744	1-17, 1-18	7026813	2-33, 2-43	7027406	2-61
7024389	2-21	7024763	2-25	7026814	2-34, 2-43	7027407	2-61
7024390	2-21, 2-25	7024764	1-18	7026815	2-34, 2-43	7027408	2-61
7024395	2-21	7024766	1-18	7026816	2-33, 2-43	7027409	2-61
7024396	2-25	7024766	1-18	7026817	2-33, 2-43	7027410	2-61
7024397	5-21	7024784	2-25	7026818	2-33	7027412	2-29, 2-39
7024398	2-51	7024800	2-80	7026819	2-33, 2-43	7027413	2-61
7024404	2-91	7024851	2-79	7026820	2-33, 2-43	7027419	1-21, 1-25
7024439	2-86	7024853	1-21, 1-25	7026821	2-33, 2-43	7027608	2-53
7024440	2-86	7024861	1-21	7026822	2-33, 2-43	7027609	2-53
7024441	2-86	7024862	1-21, 1-25	7026823	2-33	7027610	2-53
7024442	2-86	7024863	1-21	7026824	2-33	7027740	1-25
7024443	2-86	7024864	1-21	7026825	2-33	7027790	2-54
7024444	2-86, 9-1	7024865	1-21, 1-25	7026826	2-33, 2-43	7027791	2-54
7024445	2-86	7024866	1-21	7026827	2-33, 2-43	7027792	2-55
7024446	2-86	7024867	1-21, 1-25	7026828	2-33, 2-43	7027793	2-55, 7-14, 7-33
7024453	2-21, 2-25	7024868	1-21	7026829	2-33, 2-43	7027794	2-55, 7-14
7024454	2-25	7024869	1-21	7026830	2-34, 2-42, 9-1	7027795	2-55, 9-1
7024455	2-25	7024871	1-21, 1-25	7026831	2-33, 2-43	7027796	2-55, 7-14, 7-33
7024456	2-25	7024877	2-78	7026832	2-33, 2-43	7027799	2-144, 2-151, 2-155
7024458	2-25	7024875	2-79	7026833	2-33, 2-43	7027887	2-126, 2-130, 2-136, 2-140
7024482	2-146	7024877	2-79	7026834	2-33	7027965	2-69, 2-74, 9-1
7024484	2-144, 2-151, 2-155	7024879	5-3	7026835	2-34	7027972	2-69, 2-74, 9-1
7024485	2-144, 2-152, 2-155	7024892	1-29, 1-30	7026836	2-34		
7024486	2-144, 2-152, 2-155	7026187	2-146	7026838	2-34		
7024487	2-146, 2-151	7026188	2-144, 2-152, 2-156	7026839	2-34, 2-42		
7024488	2-146, 2-151, 2-155	7026189	2-90, 2-91	7026840	2-34		
7024489	2-146, 2-151, 2-155	7026197	2-91	7026841	2-34		
7024560	2-51	7026199	2-125, 2-129, 2-135, 2-139	7026842	2-34		
				7026843	2-34		

SECTION 11 PARTS NUMBER INDEX

Part Number	Page	Part Number	Page	Part Number	Page	Part Number	Page
7027989	7-15						
7027991	7-15						
7027994	2-69						
7027996	2-69						
77143013	2-98						
80424002	2-24						
80934561	2-90						
8229242	7-32						
8303541	2-41						
83304150	2-21						
8405009	2-28, 2-39						
8405104	2-28, 2-39						
8406009	2-41						
8406105	2-41						
8406109	2-42						
88521205	2-29, 2-39, 2-47, 2-67, 2-73						
8896941	10-8						
90206194	2-120						
91083218	2-61, 9-1						
91401281	2-28, 2-39, 2-47, 2-66, 2-73						



3121207



An Oshkosh Corporation Company

Corporate Office
JLG Industries, Inc.
1 JLG Drive
McConnellsburg PA. 17233-9533
USA

☎ (717) 485-5161

📠 (717) 485-6417

JLG Worldwide Locations

JLG Industries (Australia)
P.O. Box 5119
11 Bolwarra Road
Port Macquarie
N.S.W. 2444
Australia
☎ +61 2 65 811111
📠 +61 2 65 813058

JLG Latino Americana Ltda.
Rua Eng. Carlos Stevenson,
80-Suite 71
13092-310 Campinas-SP
Brazil
☎ +55 19 3295 0407
📠 +55 19 3295 1025

JLG Industries (UK) Ltd
Bentley House
Bentley Avenue
Middleton
Greater Manchester
M24 2GP - England
☎ +44 (0)161 654 1000
📠 +44 (0)161 654 1001

JLG France SAS
Z.I. de Baulieu
47400 Fauillet
France
☎ +33 (0)5 53 88 31 70
📠 +33 (0)5 53 88 31 79

JLG Deutschland GmbH
Max-Planck-Str. 21
D - 27721 Ritterhude - Ihlpohl
Germany
☎ +49 (0)421 69 350 20
📠 +49 (0)421 69 350 45

JLG Equipment Services Ltd.
Rm 1107 Landmark North
39 Lung Sum Avenue
Sheung Shui N. T.
Hong Kong
☎ (852) 2639 5783
📠 (852) 2639 5797

JLG Industries (Italia) s.r.l.
Via Po. 22
20010 Pregnana Milanese - MI
Italy
☎ +39 029 359 5210
📠 +39 029 359 5845

Oshkosh-JLG Singapore
Technology Equipment Pte
Ltd
29 Tuas Ave 4,
Jurong Industrial Estate
Singapore, 639379
☎ +65-6591 9030
📠 +65-6591 9031

Plataformas Elevadoras
JLG Iberica, S.L.
Trapadella, 2
P.I. Castellbisbal Sur
08755 Castellbisbal, Barcelona
Spain
☎ +34 93 772 4700
📠 +34 93 771 1762

JLG Sverige AB
Enkopingsvagen 150
Box 704
SE - 176 27 Jarfalla
Sweden
☎ +46 (0)850 659 500
📠 +46 (0)850 659 534